

4

3

2

1

THIS DRAWING IS UNPUBLISHED.

RELEASED FOR PUBLICATION

© COPYRIGHT 2011 BY TYCO ELECTRONICS CORPORATION. ALL RIGHTS RESERVED.

LOC

DIST

REVISIONS

P	LTR	DESCRIPTION	DATE	DWN	APVD
A5		ECR-17-013294	11SEP'17	T.Q	W.H

DIM A

FOR PIN1 MARK

4.30

3.50

$\phi 1.80$

RECOMMENDED PICK-UP AREA

0.80±0.05
2 PLC

0.80MIN.
2 PLC

3.85±0.05

1.10±0.05
2 PLC

0.60MIN.

1.20±0.05

DIM B±0.05

0.85MIN.

CONNECTOR OUTLINE

0.80±0.05
2 PLC

0.70MIN.
2 PLC

3.85±0.05

0.80±0.05
2 PLC

0.60MIN.

1.20±0.05

DIM B±0.05

0.85MIN.

CONNECTOR OUTLINE

DIM C

DIM B±0.15

1.20±0.15

1.20

1.40

1.1

0.20±0.03

0.30

RECOMMENDED PCB LAYOUT ONLY FOR 4~6 PIN

RECOMMENDED PCB LAYOUT ONLY FOR 2 & 3 PIN

0.1 MAX.
SOLDER LEAD

NOTE:

1. MATERIAL:

1.1 HOUSING: LCP WITH 30% GF, UL 94V-0, BLACK COLOR.

1.2 CONTACTS: PHOSPHOR BRONZE 0.20±0.05mm THICKNESS.

1.3 PEGS: BRASS 0.30±0.05mm THICKNESS.

2. FINISH:

2.1 CONTACTS: GOLD FLASH PLATED ON CONTACT AREA, WITH ENTIRE CONTACT GOLD FLASH PLATED OVER 1.27µm [50u"] MIN. NICKEL UNDERPLATED OVERALL.

2.2 PEGS: 2.54µm [100u"] MIN. MATTE-TIN OVER 1.27µm [50u"] MIN. NICKEL UNDERPLATED OVERALL.

3. REFLOW SOLDER CAPABLE TO 260°C PER TYCO TEST SPEC. 109-201, CONDITION B.

4. NO TYCO LOGO AND DATE CODE ON THE PRODUCT.

5. RECOMMENDED TO MATE WITH TE 1909783-X

0.067g	7.44	6.0	9.0	06	1909782-5
0.053g	6.24	4.8	7.8	05	1909782-4
0.040g	5.04	3.6	6.6	04	1909782-3
0.027g	3.84	2.4	5.4	03	1909782-2
0.015g	2.64	1.2	4.2	02	1909782-1
WEIGHT	C	B	A	NO. OF CONTACTS	PART NUMBER

THIS DRAWING IS A CONTROLLED DOCUMENT.		DWN	F. YANG	20MAY2009	 TE Connectivity
DIMENSIONS:		CHK	S. CHIEN	20MAY2009	
mm		APVD	W. KODAMA	20MAY2009	
TOLERANCES UNLESS OTHERWISE SPECIFIED:		NAME		1.2mm PITCH, BOARD TO WIRE CONNECTOR WAFER, TOP ENTRYX	
0 PLC ± -		PRODUCT SPEC		108-57767	
1 PLC ± 0.3		APPLICATION SPEC		-	
2 PLC ± 0.25		SIZE	A3	CAGE CODE	00779
3 PLC ± 0.15		DRAWING NO	C=1909782		RESTRICTED TO
4 PLC ± -		WEIGHT	SEE TABLE		SCALE
ANGLES ± 3°		CUSTOMER DRAWING	-		SHEET
MATERIAL	SEE NOTE	FINISH		SEE NOTE	
-		SCALE		SHEET 1 of 3	
-		REV		A5	

1470-19 (1/08)

4

3

2

1

THIS DRAWING IS UNPUBLISHED.

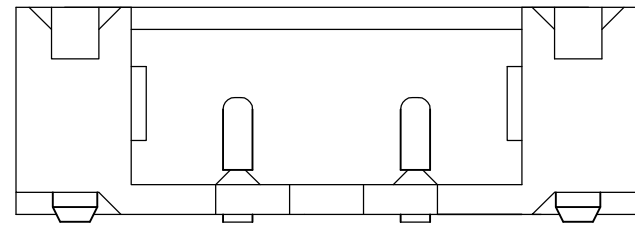
RELEASED FOR PUBLICATION

© COPYRIGHT 2011 BY TYCO ELECTRONICS CORPORATION. ALL RIGHTS RESERVED.

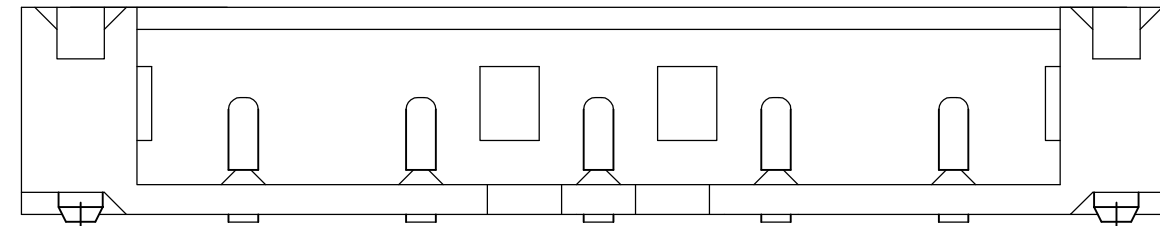
LOC DW
DIST

REVISIONS

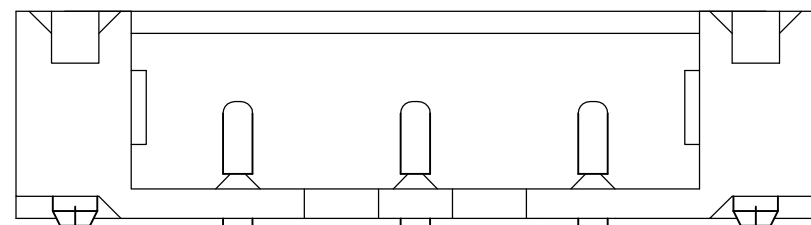
P	LTR	DESCRIPTION	DATE	DWN	APVD
		SEE SHEET 1.			



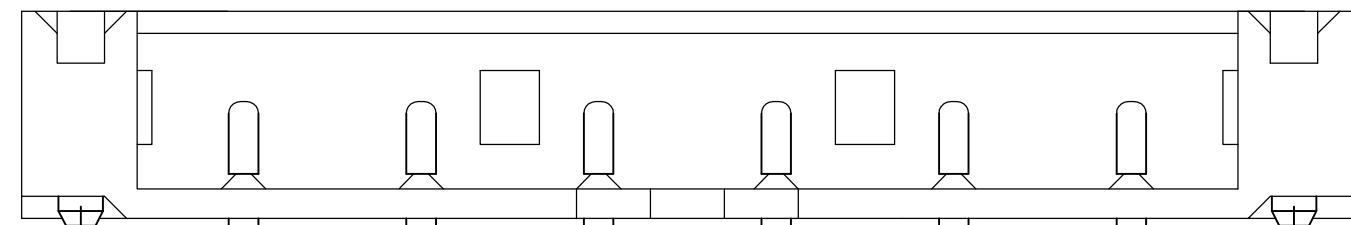
FOR 2 PIN



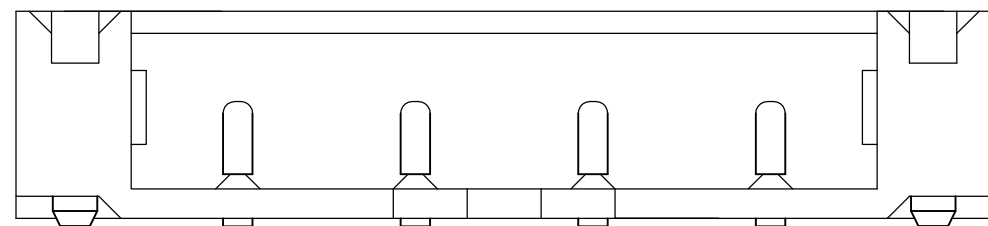
FOR 5 PIN



FOR 3 PIN



FOR 6 PIN

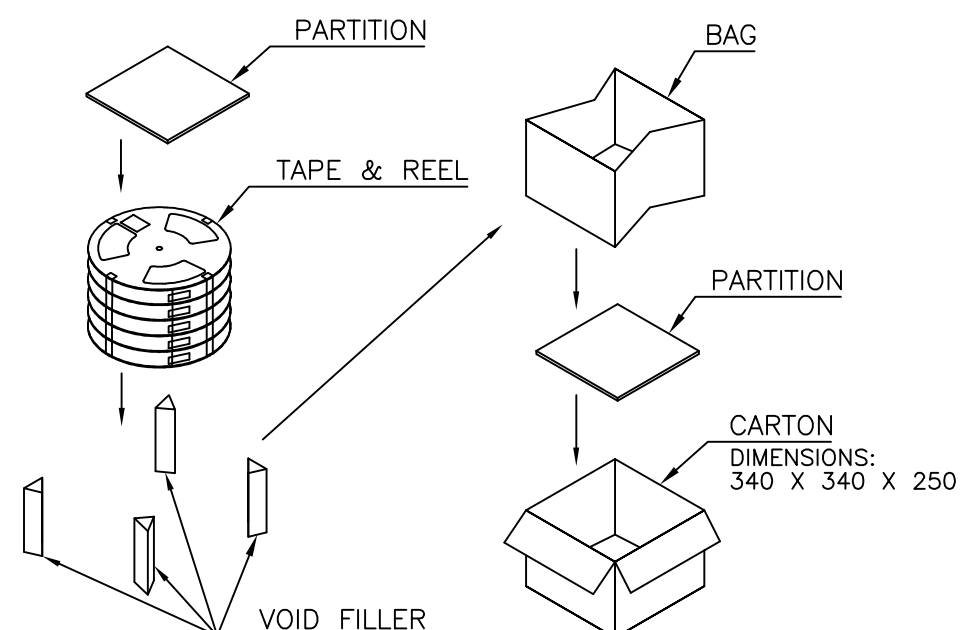
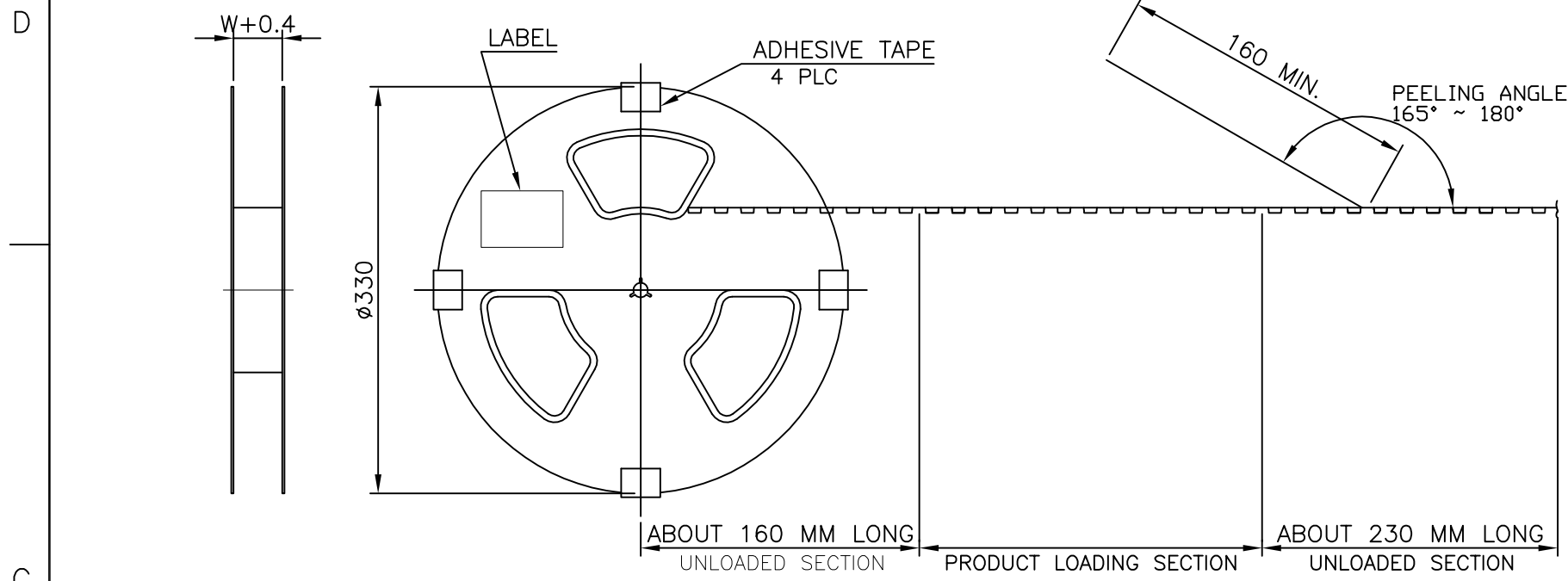


FOR 4 PIN

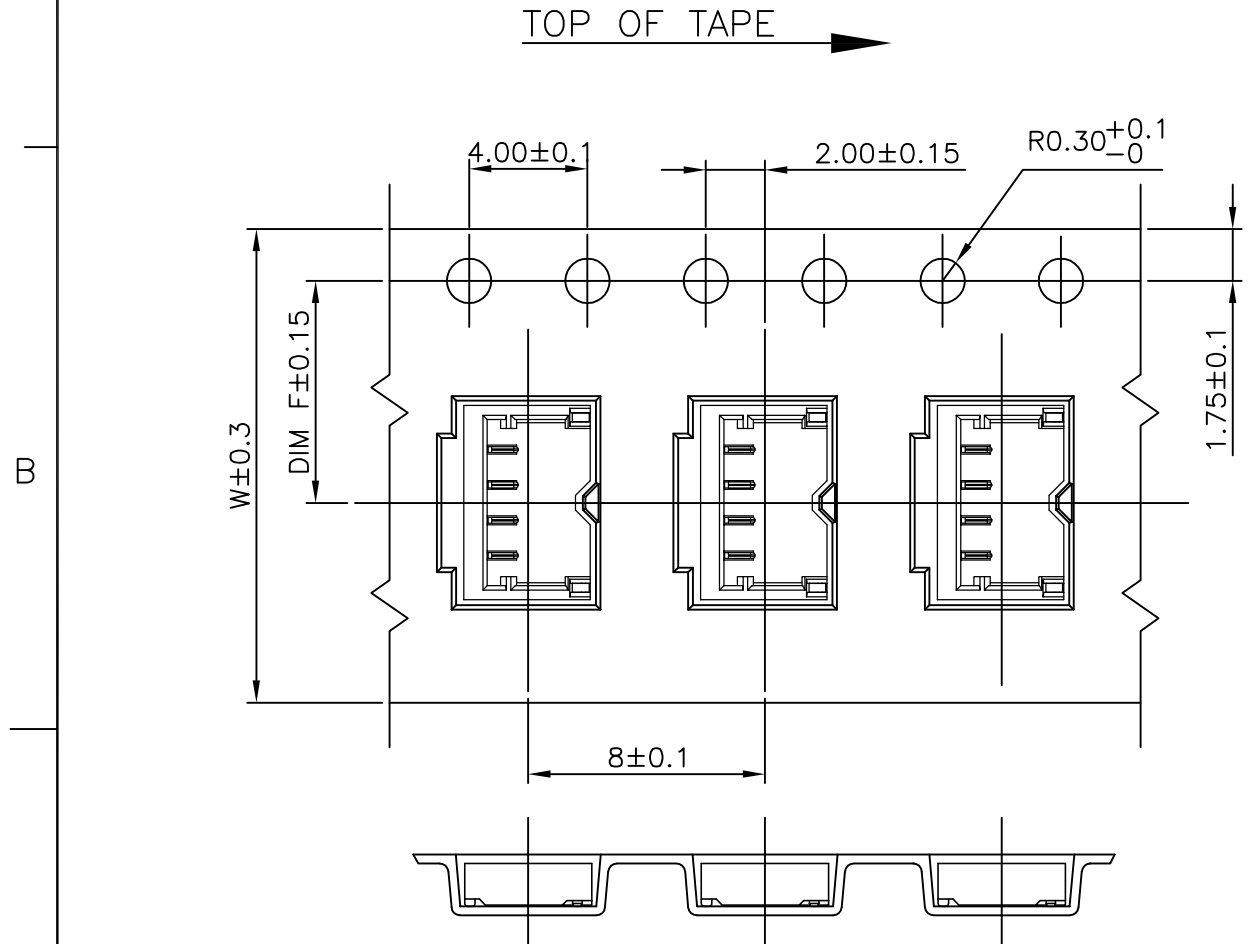
THIS DRAWING IS A CONTROLLED DOCUMENT.		DWN	STE TE Connectivity		
DIMENSIONS: mm		CHK			
TOLERANCES UNLESS OTHERWISE SPECIFIED:		APVD	NAME		
0 PLC ± -		PRODUCT SPEC	1.2mm PITCH, BOARD TO WIRE CONNECTOR WAFER, TOP ENTRYX		
1 PLC ± 0.3		APPLICATION SPEC	SIZE	CAGE CODE	DRAWING NO
2 PLC ± 0.2		WEIGHT	A3	00779	C=1909782
3 PLC ± 0.15		CUSTOMER DRAWING	SCALE		SHEET 2 of 3
4 PLC ± -			REV		A5
ANGLES ± 3'			RESTRICTED TO		
MATERIAL	FINISH				

THIS DRAWING IS UNPUBLISHED. RELEASED FOR PUBLICATION
 © COPYRIGHT 2011 BY TYCO ELECTRONICS CORPORATION. ALL RIGHTS RESERVED.

LOC	DIST	REVISIONS					
DW		P	LTR	DESCRIPTION	DATE	DWN	APVD
				SEE SHEET 1.			



- NOTES :
- MATERIAL :
 - 1.1 COVER TAPE : P.S., COLOR: TRANSPARENT
 - 1.2 CARRIER TAPE : P.S.
 - 1.3 PARTITION : EPE
 - 1.4 BOX: CORRUGATED FIBER
 - DIMENSION :
 - 2.1 REEL : SEE DRAWING
 - 2.2 BOX : SEE DRAWING
 - CARRIER TAPES, COVER TAPES, REELS AND TAPED COMPONENTS MUST MEET THE REQUIREMENTS DEFINED PER EIA-481-B.
 - PEELING RESISTANCE : 10gf~130gf
 - PEELING SPEED : 300mm/MINUTES



9.35	24.0	11.50	4000	7	28000	6.71	2.11	06	1909782-5
8.15	16.0	7.50	4000	7	28000	5.94	1.67	05	1909782-4
6.95	16.0	7.50	4000	7	28000	5.53	1.26	04	1909782-3
5.75	16.0	7.50	4000	7	28000	5.12	0.85	03	1909782-2
4.55	12.0	5.50	4000	7	28000	4.66	0.47	02	1909782-1
DIM G	DIM W	DIM F	PCS/TAPE	REELS/CARTON	QUANTITY (PCS)	G/W (Kg)	N/W (Kg)	NO. OF CONTACTS	PART NUMBER

THIS DRAWING IS A CONTROLLED DOCUMENT.

DIMENSIONS: mm	TOLERANCES UNLESS OTHERWISE SPECIFIED:	DWN	TE Connectivity
	0 PLC ± -	CHK	NAME
	1 PLC ± 0.3	APVD	1.2mm PITCH, BOARD TO WIRE CONNECTOR WAFER, TOP ENTRYX
	2 PLC ± 0.2	PRODUCT SPEC	SIZE
	3 PLC ± 0.15	APPLICATION SPEC	CAGE CODE
	4 PLC ± -	WEIGHT	DRAWING NO
	ANGLES ± 3'	CUSTOMER DRAWING	RESTRICTED TO
MATERIAL	FINISH		A3 00779 C=1909782
		SCALE	SHEET 3 of 3
			REV A5

X-ON Electronics

Largest Supplier of Electrical and Electronic Components

Click to view similar products for [Headers & Wire Housings](#) category:

Click to view products by [TE Connectivity](#) manufacturer:

Other Similar products are found below :

[892-18-020-10-001101](#) [58102-G61-06LF](#) [582553-1](#) [0009485154](#) [009176003701906](#) [0050291907](#) [LY20-4P-DT1-P1E-BR](#) [02.125.8002.8](#)
[609-3404](#) [61062-3](#) [61082-181009](#) [622-3653LF](#) [63453-116](#) [636-1030](#) [636-1427](#) [636-3427](#) [636-4007](#) [641938-9](#) [641991-4](#) [644827-2](#) [65817-](#)
[010LF](#) [65817-015LF](#) [65863-015LF](#) [66207-023LF](#) [67095-007LF](#) [67601157](#) [68645-018](#) [68648-049](#) [70.362.1628.0](#) [70-4210](#) [70-4226B](#) [70-](#)
[4853B](#) [707-5020](#) [707-5028](#) [71.350.2428.0](#) [71918-208LF](#) [71961-016LF](#) [733-134](#) [733-162](#) [754199-000](#) [760-3052](#) [787-8014-00](#) [79531-3000](#)
[FCN-360C032-B](#) [FCN-367T-T012/H](#) [FCN-723D010/2](#) [80.063.4001.1](#) [800-90-001-10-001000](#) [800-90-010-10-002000](#) [801-43-002-10-013000](#)