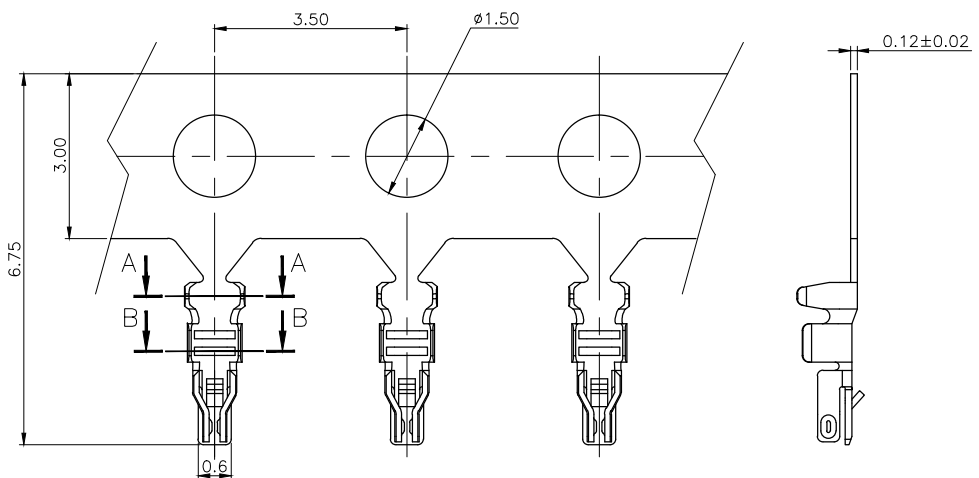
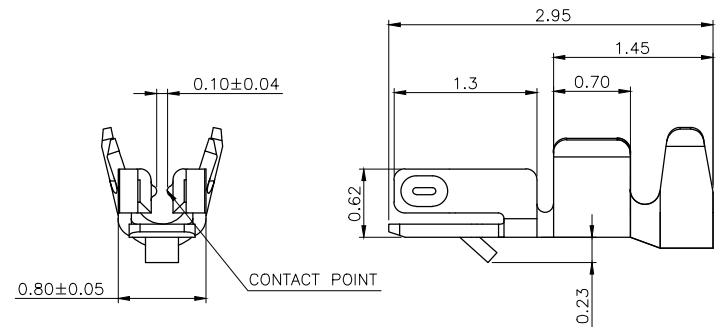
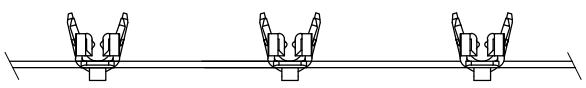


THIS DRAWING IS UNPUBLISHED. RELEASED FOR PUBLICATION AUG .2006.
 © COPYRIGHT BY TYCO ELECTRONICS CORPORATION. ALL RIGHTS RESERVED.

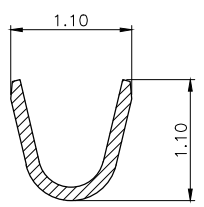
LOC		DIST		REVISIONS			
P	LTR	DESCRIPTION		DATE	DWN	APVD	
	B2	REVISED (ECO-14-003225)		25AUG14	S.W	H.L	



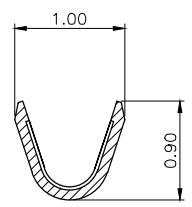
- NOTE:
- MATERIAL:
TERMINAL: PHOSPHOR BRONZE, 0.12±0.02 THICKNESS.
 - FINISH:
GOLD FLASH PLATED ON CONTACT POINT AND OVER 0.508um [20u"] MIN. NICKEL ON ENTIRE CONTACT.
 - FOR WIRE AWG: #30 ~ #28.



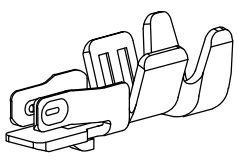
SCALE 2:1



INSULATION BARREL
SECTION A-A
SCALE 2:1



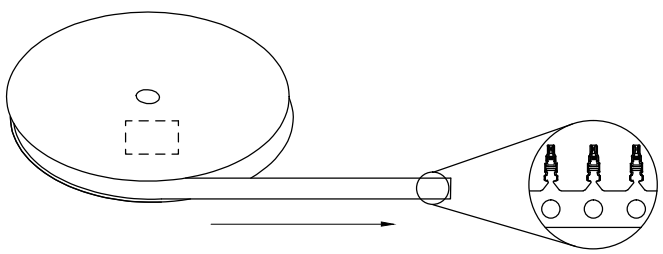
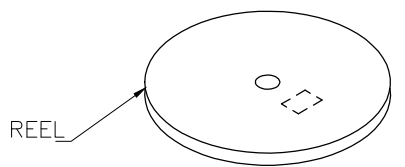
WIRE BARREL
SECTION B-B
SCALE 2:1



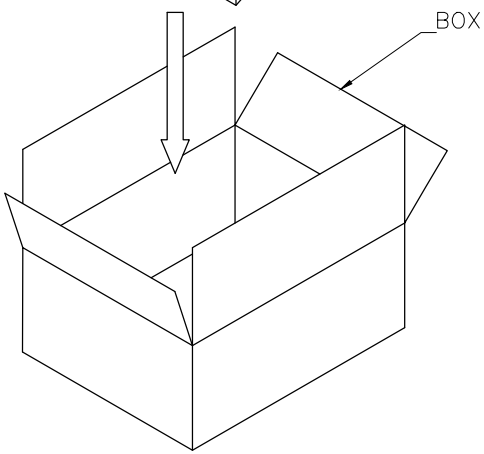
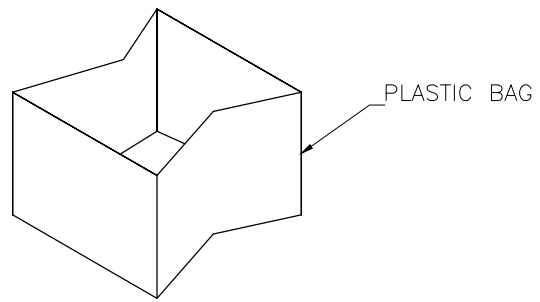
1909784-1
PART NUMBER

THIS DRAWING IS A CONTROLLED DOCUMENT.		DWN F. YANG 24APR2009	TE Connectivity		
DIMENSIONS: MM		CHK S. CHIEN 24APR2009			
TOLERANCES UNLESS OTHERWISE SPECIFIED:		APVD W. KODAMA 24APR2009	NAME		
0 PLC ± - 1 PLC ± 0.3 2 PLC ± 0.2 3 PLC ± - 4. PLC ANGLES ± 3°		PRODUCT SPEC	WIRE TO BOARD TERMINAL, 1.2mm TOP ENTRY		
MATERIAL SEE NOTE		APPLICATION SPEC 114-57021	SIZE A3	CAGE CODE 00779	DRAWING NO C=1909784
FINISH SEE NOTE		WEIGHT	RESTRICTED TO		
CUSTOMER DRAWING		SCALE	SHEET	1 OF 2	REV B2

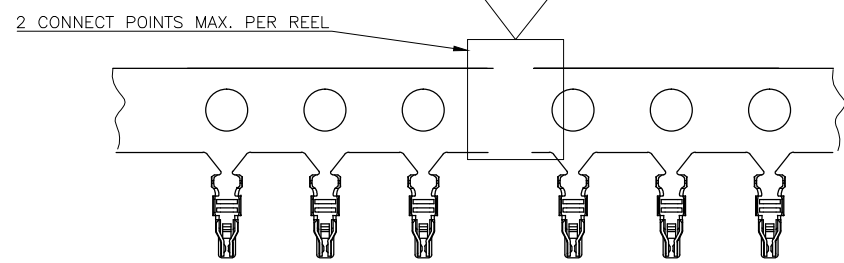
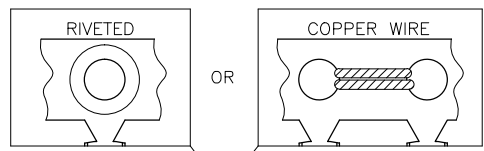
LOC		DIST		REVISIONS					
P	LTR	DESCRIPTION			DATE	DWN	APVD		
		SEE SHEET 1.							



- NOTES:
 1. DIMENSION:
 PE BAG: 917 X 768 X 0.08 mm.
 CARTON: 427 X 427 X 175 mm.
 2. QUANTITY: (SEE TABLE)
 3. WEIGHT: (SEE TABLE)



CONNECTING METHOD CONFIGURATION



20,000	6	120,000	5.1	2.4	1909784-1
PIN/TAPE	REELS/BOX	QUANTITY (PIN)	G/W (Kg)	N/W (Kg)	PART NUMBER

THIS DRAWING IS A CONTROLLED DOCUMENT.		DWN	STE TE Connectivity		
DIMENSIONS: MM		CHK			
TOLERANCES UNLESS OTHERWISE SPECIFIED:		APVD	NAME		
0 PLC ± -		PRODUCT SPEC	WIRE TO BOARD TERMINAL, 1.2mm TOP ENTRY		
1 PLC ± -		APPLICATION SPEC	SIZE	CAGE CODE	DRAWING NO
2 PLC ± -		FINISH	A3	00779	C=1909784
3 PLC ± -		MATERIAL	RESTRICTED TO		
4 PKG ANGLES ± -		WEIGHT	SCALE		SHEET
		CUSTOMER DRAWING	2 of 2		REV B2

X-ON Electronics

Largest Supplier of Electrical and Electronic Components

Click to view similar products for [Headers & Wire Housings](#) category:

Click to view products by [TE Connectivity](#) manufacturer:

Other Similar products are found below :

[892-18-020-10-001101](#) [58102-G61-06LF](#) [582553-1](#) [0009485154](#) [009176003701906](#) [0050291907](#) [LY20-4P-DT1-P1E-BR](#) [02.125.8002.8](#)
[609-3404](#) [61062-3](#) [61082-181009](#) [622-3653LF](#) [63453-116](#) [636-1030](#) [636-1427](#) [636-3427](#) [636-4007](#) [641938-9](#) [641991-4](#) [644827-2](#) [65817-](#)
[010LF](#) [65817-015LF](#) [65863-015LF](#) [66207-023LF](#) [67095-007LF](#) [67601157](#) [68645-018](#) [68648-049](#) [70.362.1628.0](#) [70-4210](#) [70-4226B](#) [70-](#)
[4853B](#) [707-5020](#) [707-5028](#) [71.350.2428.0](#) [71918-208LF](#) [71961-016LF](#) [733-134](#) [733-162](#) [754199-000](#) [760-3052](#) [79531-3000](#) [FCN-](#)
[360C032-B](#) [FCN-367T-T012/H](#) [FCN-723D010/2](#) [80.063.4001.1](#) [800-90-001-10-001000](#) [800-90-010-10-002000](#) [801-43-002-10-013000](#)
[801-43-006-10-002000](#)