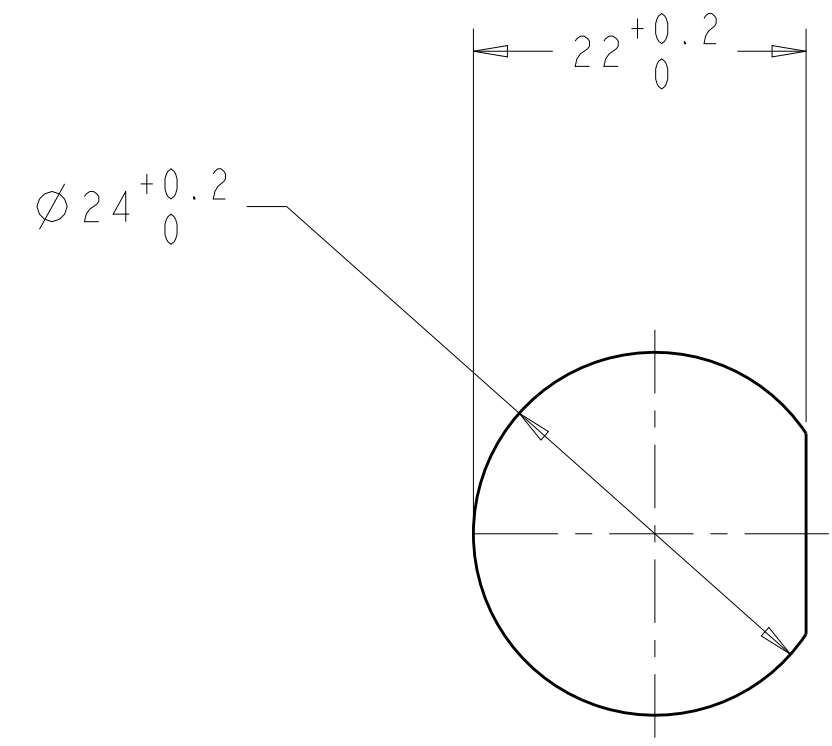
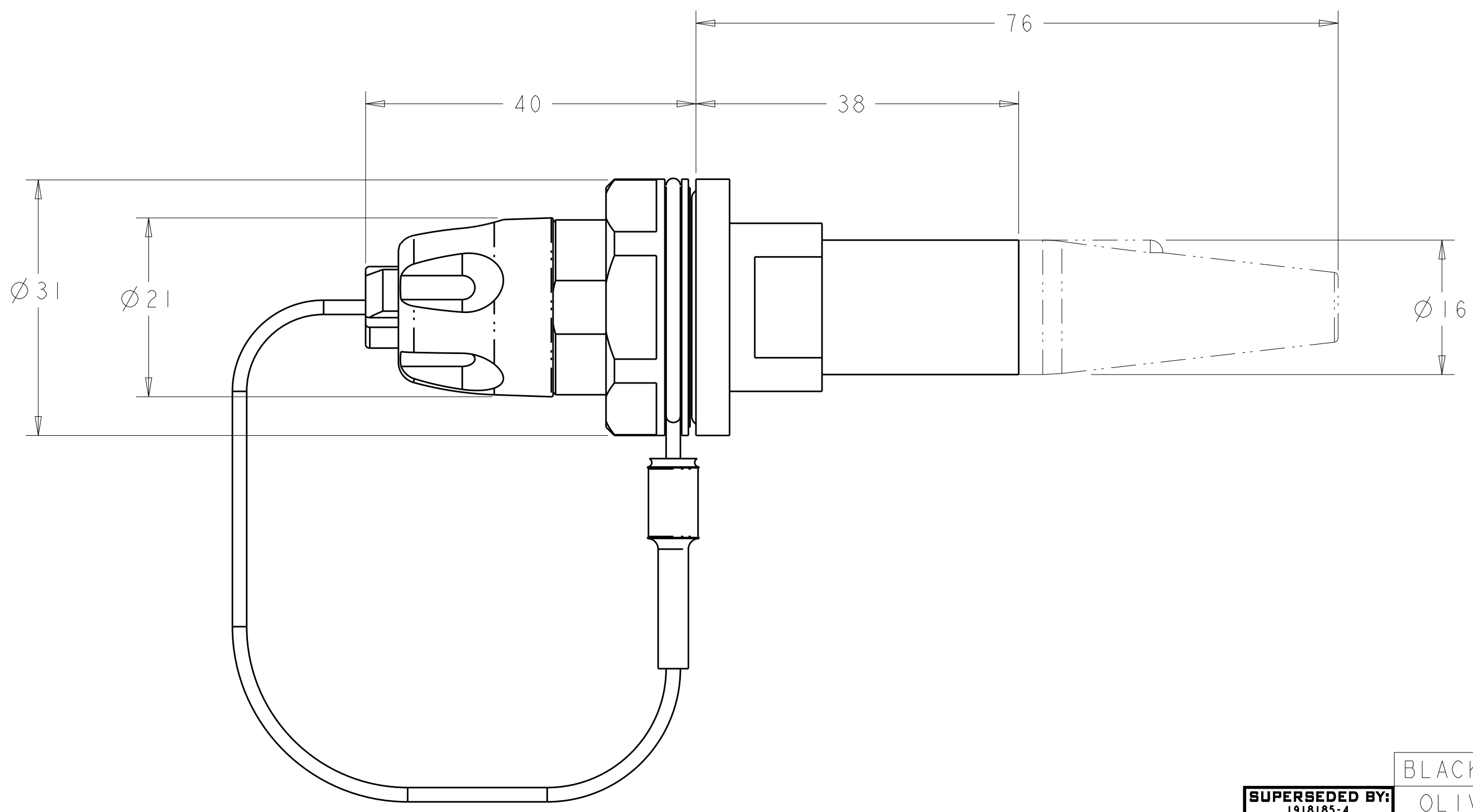


THIS DRAWING IS UNPUBLISHED. RELEASED FOR PUBLICATION 20  
 © COPYRIGHT 20 BY - ALL RIGHTS RESERVED.

REVISIONS				
P	LTR	DESCRIPTION	DATE	APVD
B2		ECR-15-009282	30JUL2015	KG DW

- ASSEMBLY SHOWN FOR REFERENCE ONLY. SHIPPED LOOSE PIECE AS SHOWN ON PAGE 2.
- ALL ASSEMBLY DIMENSION ARE FOR REFERENCE ONLY.
- COMPLETE THE CONNECTOR ASSEMBLY BY ADDING EACH OF THE FOLLOWING PRO BEAM MINI KITS:
  - EXPANDED BEAM INSERT ASSEMBLY KIT
  - FERRULE KIT, ONE PER FIBER
  - CABLE ADAPTER KIT, SIZED TO THE CABLE JACKET DIAMETER.
- △ PANEL SHOULD BE BETWEEN 1mm AND 6mm THICKNESS.
- THIS PRODUCT HAS NOT COMPLETED VALIDATION TESTING.



△ RECOMMENDED PANEL CUT-OUT

SHOWN WITH CABLE ADAPTER KIT INSTALLED AS PHANTOM LINES FOR VISUAL AND DIMENSIONAL REFERENCE

**SUPERSEDED BY:**  
1918185-4

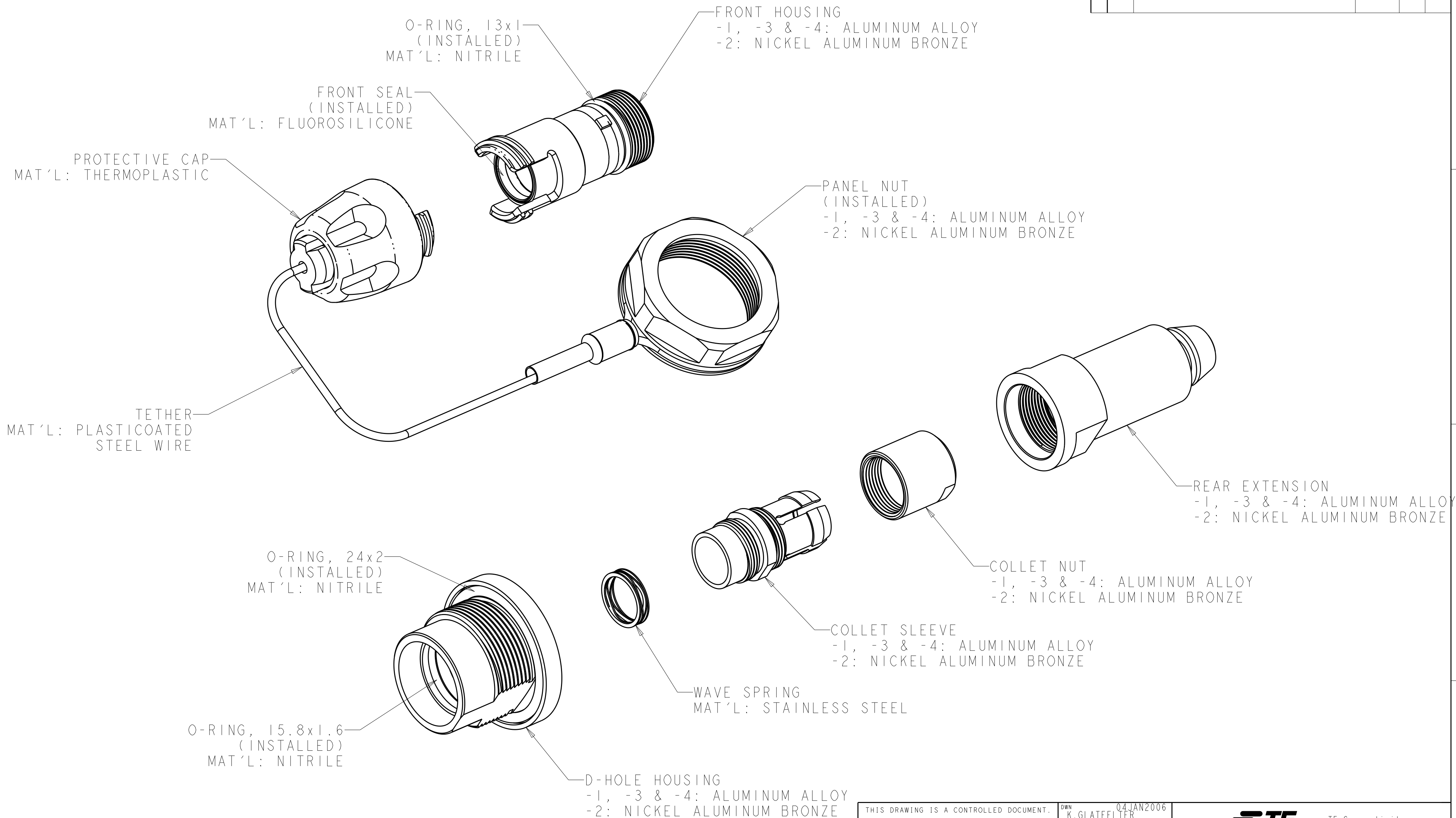
BLACK ZINC-NICKEL	ALUMINUM	1918185-4
OLIVE DRAB ZINC	ALUMINUM	1918185-3
NONE	NICKEL ALUMINUM BRONZE	1918185-2
HARD ANODIZE	ALUMINUM	1918185-1
HOUSING FINISH	HOUSING ALLOY	PART NUMBER

THIS DRAWING IS A CONTROLLED DOCUMENT.		DWN K. GLATFELTER 04 JAN 2006	TE Connectivity	
DIMENSIONS: mm		CHK D. WERTMAN 13 JAN 2006		
TOLERANCES UNLESS OTHERWISE SPECIFIED:		APVD D. WERTMAN 13 JAN 2006	NAME CONNECTOR SHELL KIT, SEALED D-HOLE BULKHEAD, PRO BEAM MINI	
0 PLC ± 1 PLC ± 2 PLC ± 3 PLC ± 4 PLC ± ANGLES ± FINISH		PRODUCT SPEC -	SIZE A200779	
MATERIAL -		APPLICATION SPEC -	DRAWING NO C-1918185	
SEE TABLE		WEIGHT -	RESTRICTED TO -	
-		Customer Drawing	SCALE 2:1	SHEET 1 OF 2
			REV B2	

THIS DRAWING IS UNPUBLISHED. RELEASED FOR PUBLICATION 20  
 © COPYRIGHT 20 BY - ALL RIGHTS RESERVED.

REVISIONS				
P	LTR	DESCRIPTION	DATE	APVD
-	-	SEE SHEET 1	-	-

I. SHIPPED LOOSE PIECE AS SHOWN.



THIS DRAWING IS A CONTROLLED DOCUMENT.		DWN K. GLATFELTER 04 JAN 2006	TE Connectivity															
DIMENSIONS: mm		CHK D. WERTMAN 13 JAN 2006																
TOLERANCES UNLESS OTHERWISE SPECIFIED:		APVD D. WERTMAN 13 JAN 2006	NAME CONNECTOR SHELL KIT, SEALED D-HOLE BULKHEAD, PRO BEAM MINI															
<table border="1"> <tr><td>0 PLC</td><td>±</td></tr> <tr><td>1 PLC</td><td>±</td></tr> <tr><td>2 PLC</td><td>±</td></tr> <tr><td>3 PLC</td><td>±</td></tr> <tr><td>4 PLC</td><td>±</td></tr> <tr><td>ANGLES</td><td>±</td></tr> <tr><td>FINISH</td><td>±</td></tr> </table>		0 PLC	±	1 PLC	±	2 PLC	±	3 PLC	±	4 PLC	±	ANGLES	±	FINISH	±	PRODUCT SPEC -	SIZE A2	CAGE CODE 00779
0 PLC	±																	
1 PLC	±																	
2 PLC	±																	
3 PLC	±																	
4 PLC	±																	
ANGLES	±																	
FINISH	±																	
MATERIAL - - SEE TABLE		APPLICATION SPEC -	DRAWING NO C-1918185	RESTRICTED TO -														
-		WEIGHT -	SCALE 1:1	SHEET 2 OF 2														
-		Customer Drawing	REV B2															

## X-ON Electronics

Largest Supplier of Electrical and Electronic Components

*Click to view similar products for [Fiber Optic Connectors](#) category:*

*Click to view products by [TE Connectivity](#) manufacturer:*

Other Similar products are found below :

[0004700001](#) [6100-R](#) [6313](#) [F709034706](#) [F709722200](#) [F718183204](#) [F727403500](#) [F727752800](#) [FCXO-12-3BY](#) [FO-SCREW\(M2X6\)](#) [9440F20-27S-190](#) [944-120-6001](#) [944-125-6003](#) [9441F10SL-3S](#) [9446F10SL-4S](#) [953-101-5310-P](#) [954-101-57202B](#) [A0270169](#) [12-9122](#) [12-5702](#) [143025NC](#) [AX101713](#) [AX102420](#) [AX103923](#) [AX104141](#) [AX104193](#) [AX104228](#) [AX104230](#) [AX104562](#) [AX105203-B25](#) [AX105205-S1](#) [EHSC2M](#) [17-300800](#) [181-011-126](#) [BT34IW](#) [HRFCP-HSCJ-1\(61\)](#) [HRFC-R2\(40\)](#) [NKSOPBUY](#) [20500002116](#) [2064996-1](#) [20800001065](#) [2170](#) [9132](#) [2612](#) [2620](#) [9291](#) [9440F18-19S](#) [9440F20-14P](#) [9440F20-14PW](#) [9440W18-1S](#)