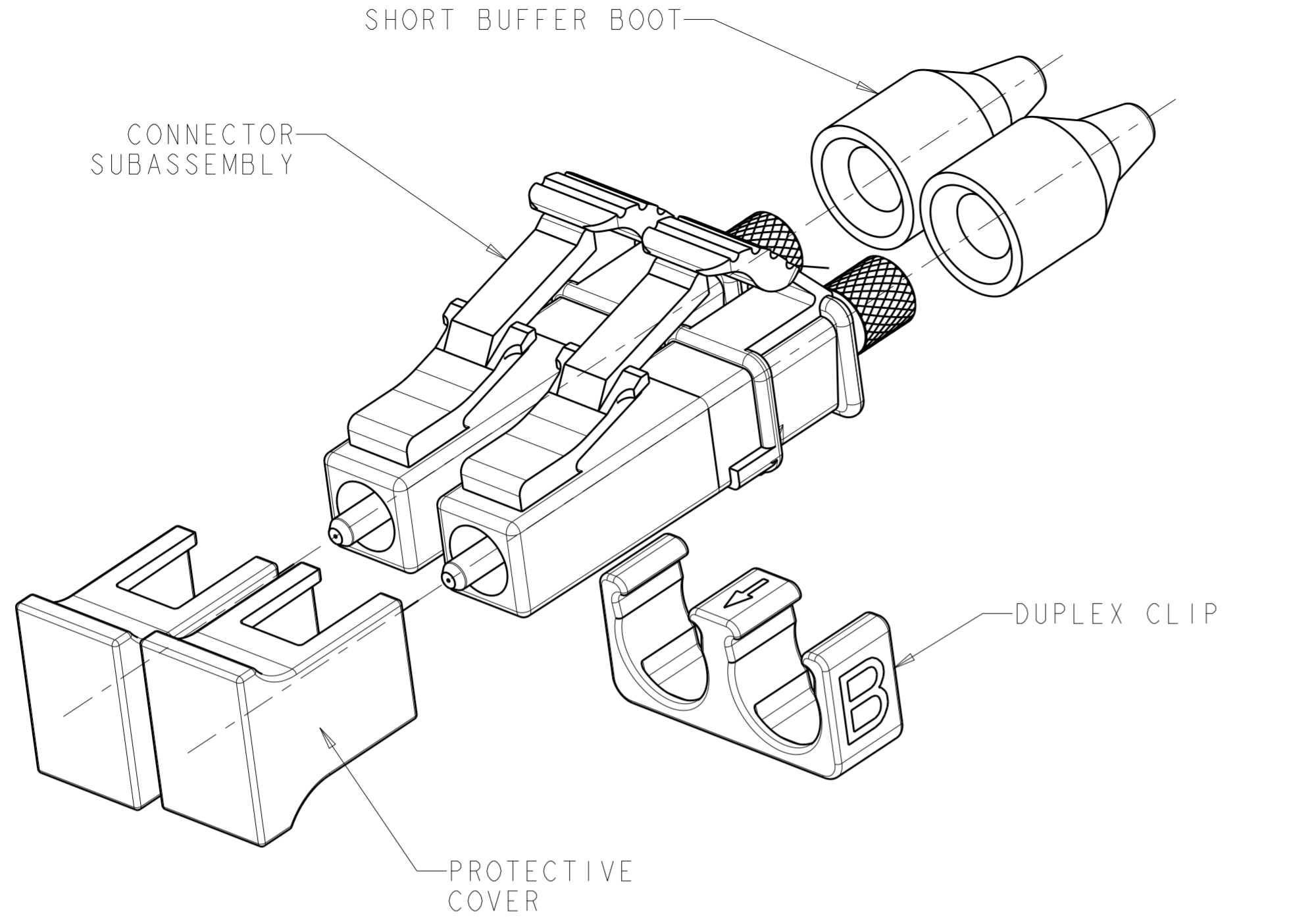


THIS DRAWING IS UNPUBLISHED. RELEASED FOR PUBLICATION  
 © COPYRIGHT - BY TYCO ELECTRONICS CORPORATION. ALL INTERNATIONAL RIGHTS RESERVED.

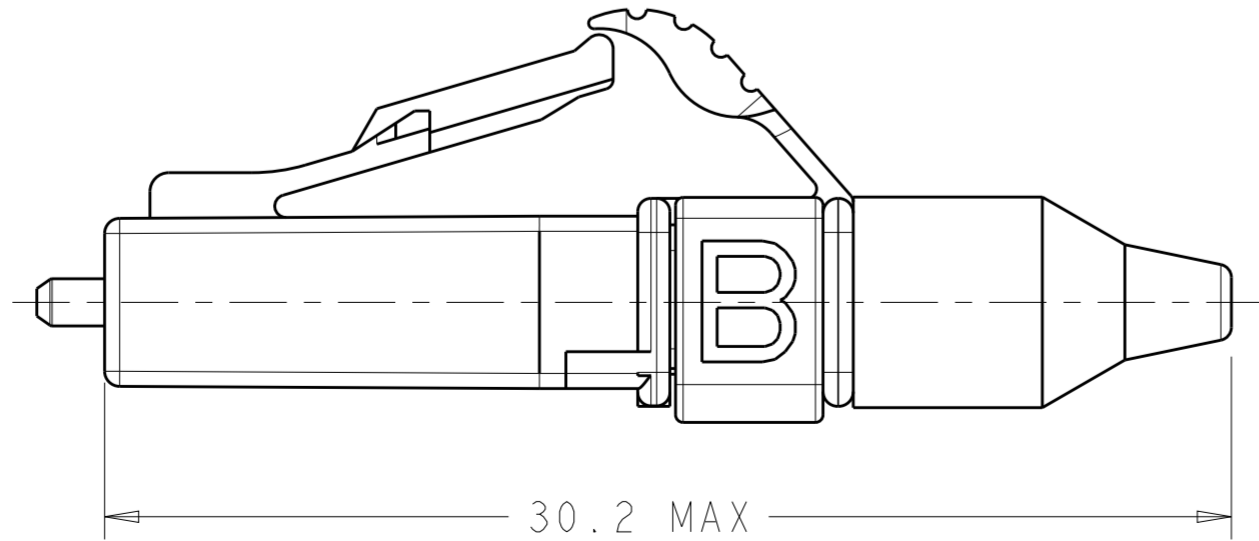
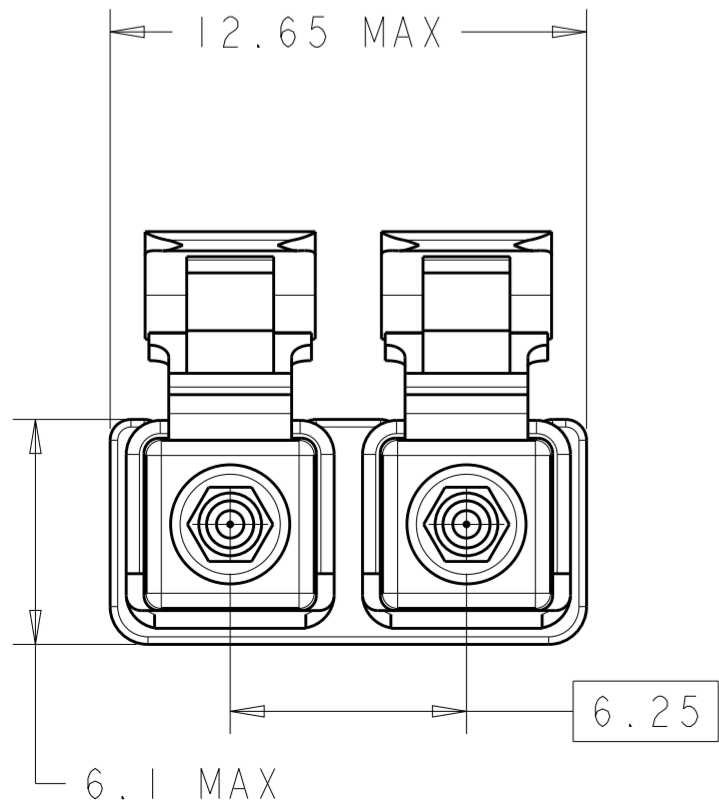
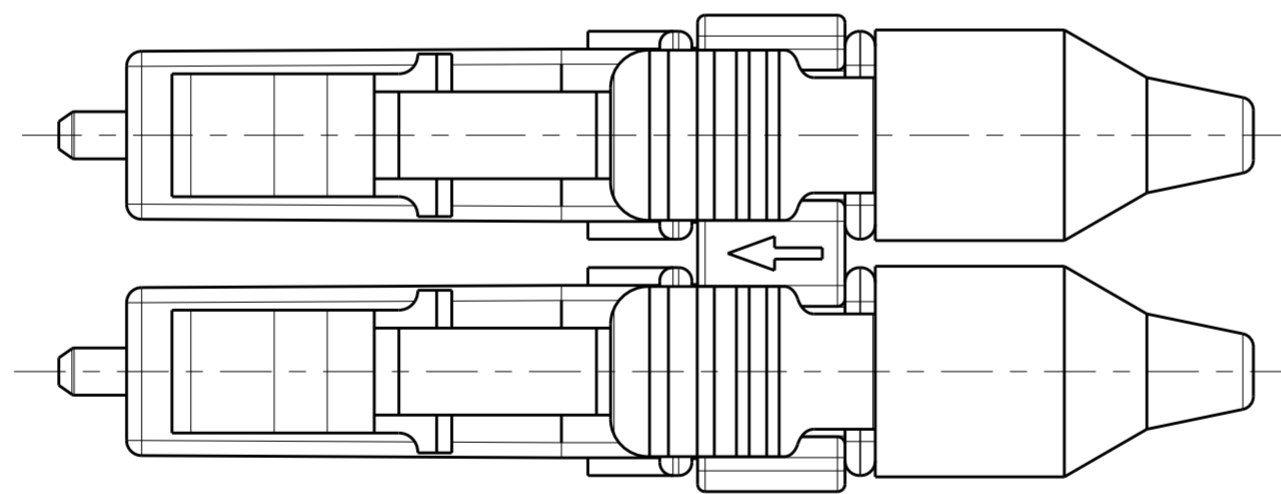
LOC	DIST	REVISIONS					
		P	LTR	DESCRIPTION	DATE	DWN	APVD
HG	-	E		ECO-13-009981	17JUN2013	JM	TE



⚠ MATERIAL  
 PROTECTIVE COVER: PP, COLOR: WHITE, UL94 HB\*  
 FERRULE SUBASSEMBLY: ZIRCONIA/METAL  
 COMPRESSION SPRING: STAINLESS STEEL  
 FRONT HOUSING: PEI, COLOR: BEIGE, UL94 V-0\*  
 INNER TUBING: PTFE, COLOR: CLEAR, UL VW-1  
 REAR BODY: METAL  
 BOOT: TPE, UL94 V-0\*, SEE TABLE FOR COLOR.  
 DUPLEX CLIP: PEI, COLOR: BLACK, UL94 V-0\*  
 \*RATED AT QUALIFYING THICKNESS.

⚠ BULK PACKAGED.

3. INSTRUCTION SHEET: 408-8675 AVAILABLE FOR DOWNLOAD AT  
[www.tycoelectronics.com/documents](http://www.tycoelectronics.com/documents) OR  
[www.ampnetconnect.com/foguide](http://www.ampnetconnect.com/foguide).



⚠	BLACK	1918388-6
⚠	AQUA	1918388-5
	BLACK	1918388-4
	AQUA	1918388-3
⚠	BEIGE	1918388-2
	BEIGE	1918388-1
	BOOT COLOR	PART NUMBER

DIMENSIONS:		TOLERANCES UNLESS OTHERWISE SPECIFIED:		DWN		Tyco Electronics Corporation	
mm		0 PLC	±	B. BRIGGS	24APR2006	Shanghai, China	
		1 PLC	±	CHK	24APR2006	NAME	
		2 PLC	±	D. ROHDE	24APR2006	KIT, CONNECTOR, LC, DUPLEX,	
		3 PLC	±	APVD	24APR2006	MM, 900um BUFFER	
		4 PLC	±	D. BAECHTLE		SIZE	CAGE CODE
		ANGLES	±	PRODUCT SPEC		A2	-
		FINISH	±	APPLICATION SPEC		DRAWING NO	RESTRICTED TO
MATERIAL	⚠			WEIGHT		G-1918388	
				CUSTOMER DRAWING		SCALE	SHEET
						5:1	OF
							REV
							E

## X-ON Electronics

Largest Supplier of Electrical and Electronic Components

*Click to view similar products for [Fibre Optic Connectors](#) category:*

*Click to view products by [TE Connectivity](#) manufacturer:*

Other Similar products are found below :

[0004700001](#) [6100-R](#) [6313](#) [F709034706](#) [F709722200](#) [F709730000](#) [F718183204](#) [F727403500](#) [F727752800](#) [8119](#) [9440F20-27S-190](#) [944-120-6001](#) [9441F10SL-3S](#) [9444W28-21S](#) [9444W36-10S](#) [9446F10SL-4S](#) [9446W20-16S](#) [953-101-5310-P](#) [954-101-57202B](#) [A0270169](#) [12-9122](#) [12-5702](#) [AX101713](#) [AX102420](#) [AX103923](#) [AX104024](#) [AX104193](#) [AX104230](#) [AX104498](#) [AX104562](#) [AX105203-B25](#) [AX105205-S1](#) [EHSC2M](#) [181-011-126](#) [181-011-S](#) [181-057-126](#) [HRFC-R2\(40\)](#) [NKSOPBUY](#) [20500002116](#) [2064996-1](#) [20800001065](#) [2170](#) [9132](#) [2612](#) [2620](#) [9291](#) [9440F16-10S](#) [9440F20-18S](#) [9442W14S-10P](#) [9446F16-10S-190](#)