

THIS DRAWING IS UNPUBLISHED. RELEASED FOR PUBLICATION 20
 © COPYRIGHT 20 BY - ALL RIGHTS RESERVED.

| LOC | DIST | REVISIONS | | | | | |
|-----|------|-----------|-----|-----------------------|-----------|-----|------|
| CE | 00 | P | LTR | DESCRIPTION | DATE | DWN | APVD |
| | | | D | REV PER ECO-12-019824 | 13NOV2012 | JM | TE |

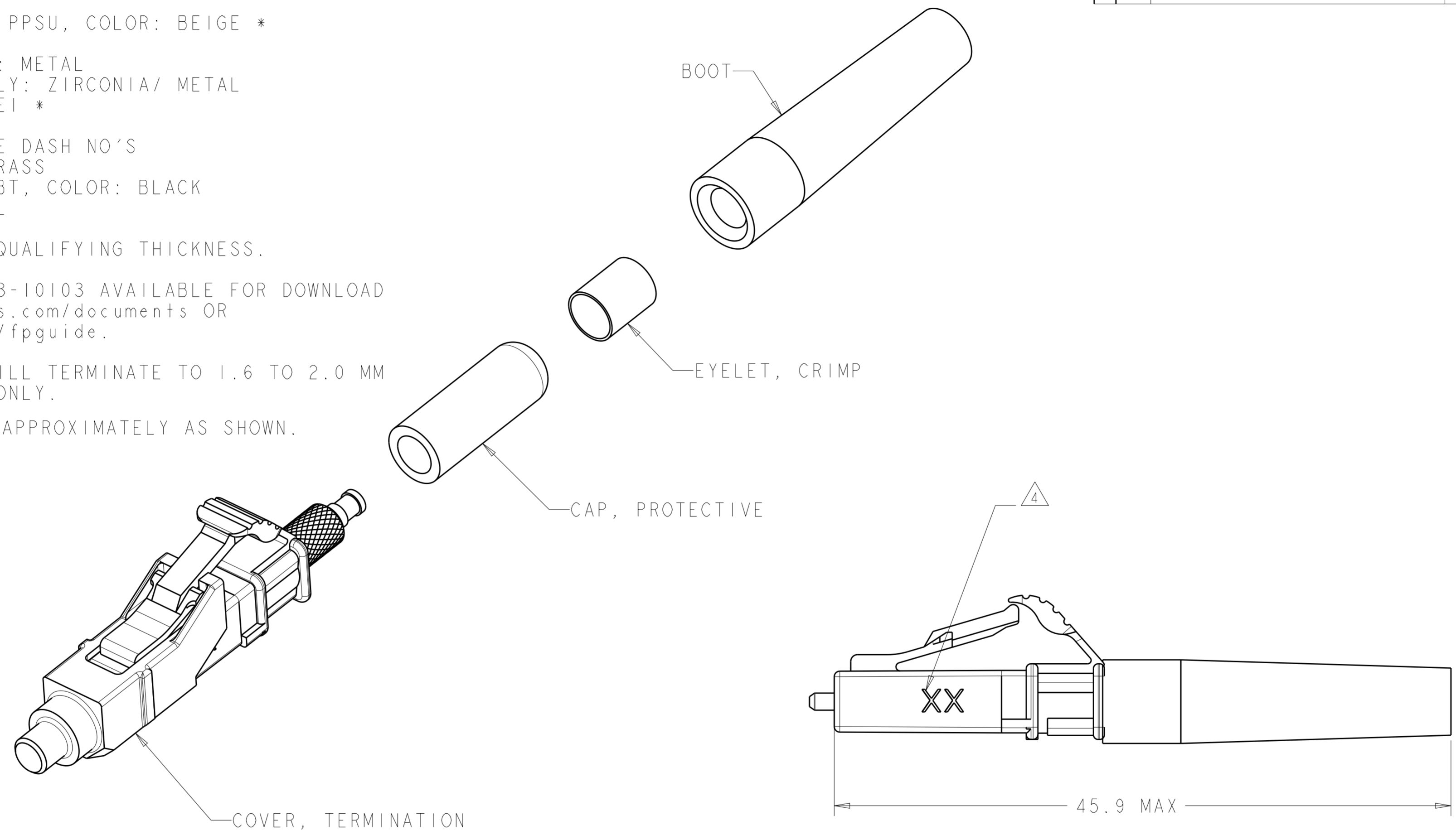
⚠ MATERIAL:
 CONNECTOR ASSEMBLY:
 CONNECTOR HOUSING: PPSU, COLOR: BEIGE *
 REAR BODY: METAL
 COMPRESSION SPRING: METAL
 FERRULE SUB ASSEMBLY: ZIRCONIA/ METAL
 INTERNAL SPLICE: PEI *
 PLUNGER: METAL
 BOOT: TPE, COLOR: SEE DASH NO'S
 EYELET: TIN PLATED BRASS
 TERMINATION COVER: PBT, COLOR: BLACK
 PROTECTIVE CAP: VINYL

* UL94 V-0 RATED AT QUALIFYING THICKNESS.

2. INSTRUCTION SHEET: 408-10103 AVAILABLE FOR DOWNLOAD AT www.tycoelectronics.com/documents OR www.ampnetconnect.com/fpguide.

3. IMPORTANT: THIS KIT WILL TERMINATE TO 1.6 TO 2.0 MM LOOSE JACKETED CABLE ONLY.

⚠ MARK WITH MM LOCATED APPROXIMATELY AS SHOWN.



| | | |
|------------|-------------|-----------|
| AQUA | XG 50/125um | 1918627-3 |
| BLACK | 50/125um | 1918627-2 |
| BEIGE | 62.5/125um | 1918627-1 |
| BOOT COLOR | DESCRIPTION | PART NO. |

THIS DRAWING IS A CONTROLLED DOCUMENT.

| | | | | | | |
|-------------|--|--------------|---------------------|-----------|------------|---------------|
| DWN | D ERDMAN | 19JUN2006 | TE Connectivity | | | |
| CHK | M GURRERI | 19JUN2006 | | | | |
| APVD | D BAECHTLE | 19JUN2006 | | | | |
| NAME | KIT, CONNECTOR, LightCrimp Plus LC SIMPLEX, MM, 1.6 - 2.0MM JACKET | | | | | |
| DIMENSIONS: | TOLERANCES UNLESS OTHERWISE SPECIFIED: | | SIZE | CAGE CODE | DRAWING NO | RESTRICTED TO |
| mm | 0 PLC ±- | 1 PLC ±0.5 | A2 | 00779 | C-1918627 | - |
| | 2 PLC ±0.13 | 3 PLC ±0.013 | SCALE | 4:1 | SHEET | OF |
| | 4 PLC ±0.0001 | ANGLES ±- | CUSTOMER DRAWING | | | REV |
| MATERIAL | FINISH | | | | | D |

X-ON Electronics

Largest Supplier of Electrical and Electronic Components

Click to view similar products for [Fibre Optic Connectors](#) category:

Click to view products by [TE Connectivity](#) manufacturer:

Other Similar products are found below :

[0004700001](#) [6100-R](#) [6313](#) [F709034706](#) [F709722200](#) [F709730000](#) [F718183204](#) [F727403500](#) [F727752800](#) [8119](#) [9440F20-27S-190](#) [944-120-6001](#) [9441F10SL-3S](#) [9444W28-21S](#) [9444W36-10S](#) [9446F10SL-4S](#) [9446W20-16S](#) [953-101-5310-P](#) [954-101-57202B](#) [A0270169](#) [12-9122](#) [12-5702](#) [AX101713](#) [AX102420](#) [AX103923](#) [AX104024](#) [AX104193](#) [AX104230](#) [AX104498](#) [AX104562](#) [AX105203-B25](#) [AX105205-S1](#) [EHSC2M](#) [181-011-126](#) [181-011-S](#) [181-057-126](#) [HRFC-R2\(40\)](#) [NKSOPBUY](#) [20500002116](#) [2064996-1](#) [20800001065](#) [2170](#) [9132](#) [2612](#) [2620](#) [9291](#) [9440F16-10S](#) [9440F20-18S](#) [9442W14S-10P](#) [9446F16-10S-190](#)