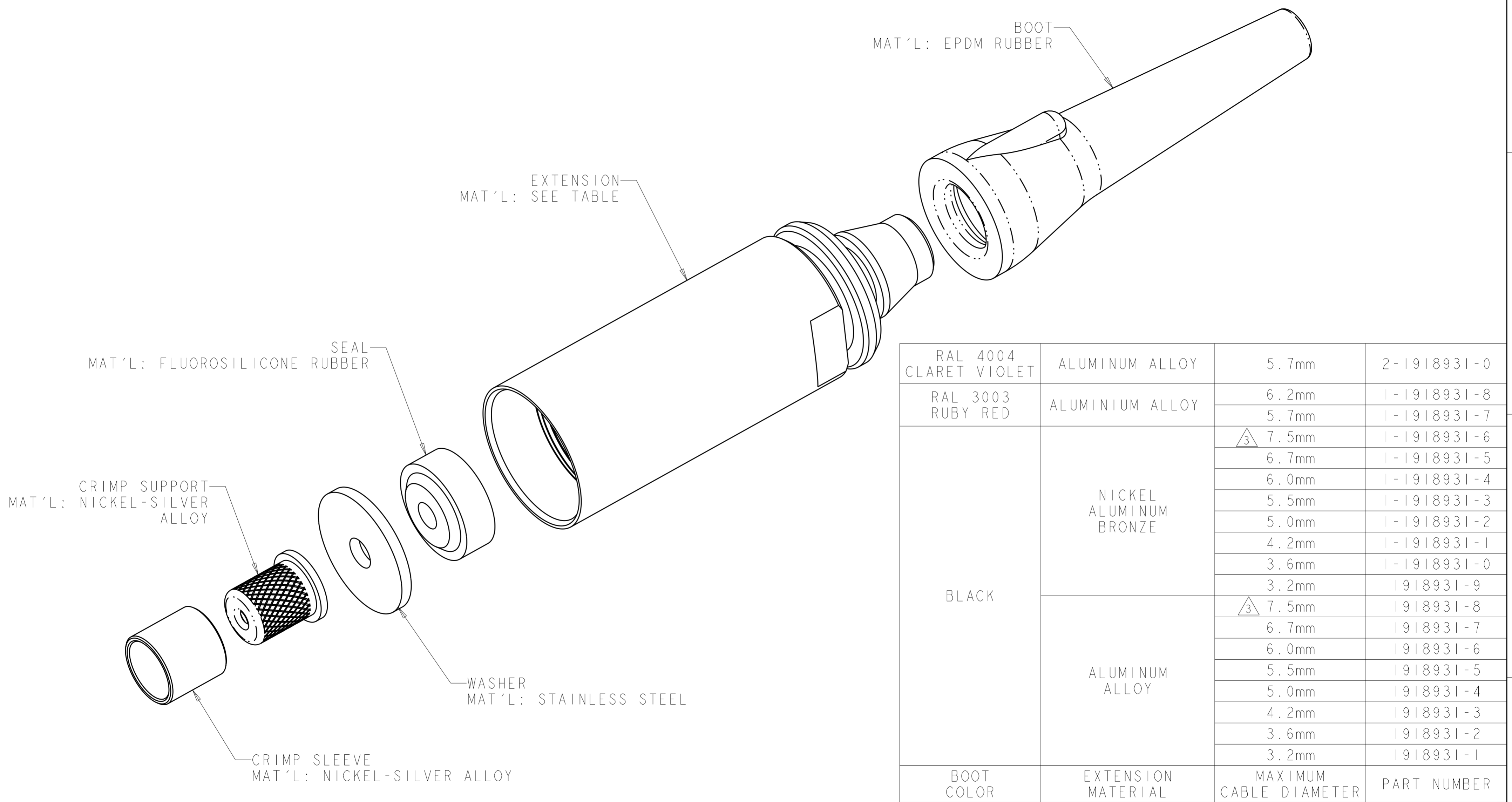


THIS DRAWING IS UNPUBLISHED. RELEASED FOR PUBLICATION 20
 © COPYRIGHT 20 BY - ALL RIGHTS RESERVED.

REVISIONS				
P	LTR	DESCRIPTION	DATE	APVD
C		ECR-15-008603	24JUN2015	KG DW
C1		ECR-19-015389	21OCT2019	LN DW
C2		ECO-20-009383	14JUL2020	LN DW



BOOT COLOR	EXTENSION MATERIAL	MAXIMUM CABLE DIAMETER	PART NUMBER
RAL 4004 CLARET VIOLET	ALUMINUM ALLOY	5.7mm	2-1918931-0
RAL 3003 RUBY RED	ALUMINIUM ALLOY	6.2mm	1-1918931-8
		5.7mm	1-1918931-7
BLACK	NICKEL ALUMINUM BRONZE	Δ_3 7.5mm	1-1918931-6
		6.7mm	1-1918931-5
		6.0mm	1-1918931-4
		5.5mm	1-1918931-3
		5.0mm	1-1918931-2
		4.2mm	1-1918931-1
		3.6mm	1-1918931-0
		3.2mm	1918931-9
		Δ_3 7.5mm	1918931-8
		6.7mm	1918931-7
		6.0mm	1918931-6
		5.5mm	1918931-5
		5.0mm	1918931-4
		4.2mm	1918931-3
3.6mm	1918931-2		
3.2mm	1918931-1		
	ALUMINUM ALLOY		

- PACKAGED LOOSE PIECE.
 - DIMENSIONS ARE FOR REFERENCE ONLY.
- Δ_3 FOR USE WITH \varnothing 7.5mm BREAKOUT CABLE WITH \varnothing 2.15mm MAXIMUM JACKETED SUBUNITS.

THIS DRAWING IS A CONTROLLED DOCUMENT.

DWN: K. GLATFELTER 21OCT2006
 CHK: D. WERTMAN 02JUN2008
 APVD: D. WERTMAN 02JUN2008

STE TE Connectivity

NAME: CABLE ADAPTER KIT, PLUG, PRO BEAM JR.

SIZE: A2 CAGE CODE: 00779 DRAWING NO: C-1918931 RESTRICTED TO: -

MATERIAL: AS LISTED FINISH: HARD ANODIZE (AL ONLY)

Customer Drawing SCALE: 3:1 SHEET: 1 OF 1 REV: C2

X-ON Electronics

Largest Supplier of Electrical and Electronic Components

Click to view similar products for [Fibre Optic Connectors](#) category:

Click to view products by [TE Connectivity](#) manufacturer:

Other Similar products are found below :

[0004700001](#) [6100-R](#) [6313](#) [F709034706](#) [F709722200](#) [F709730000](#) [F718183204](#) [F727403500](#) [F727752800](#) [8119](#) [9440F20-27S-190](#) [944-120-6001](#) [9441F10SL-3S](#) [9444W28-21S](#) [9444W36-10S](#) [9446F10SL-4S](#) [9446W20-16S](#) [953-101-5310-P](#) [954-101-57202B](#) [A0270169](#) [12-9122](#) [12-5702](#) [AX101713](#) [AX102420](#) [AX103923](#) [AX104024](#) [AX104193](#) [AX104230](#) [AX104498](#) [AX104562](#) [AX105203-B25](#) [AX105205-S1](#) [EHSC2M](#) [181-011-126](#) [181-011-S](#) [181-057-126](#) [HRFC-R2\(40\)](#) [NKSOPBUY](#) [20500002116](#) [2064996-1](#) [20800001065](#) [2170](#) [9132](#) [2612](#) [2620](#) [9291](#) [9440F16-10S](#) [9440F20-18S](#) [9442W14S-10P](#) [9446F16-10S-190](#)