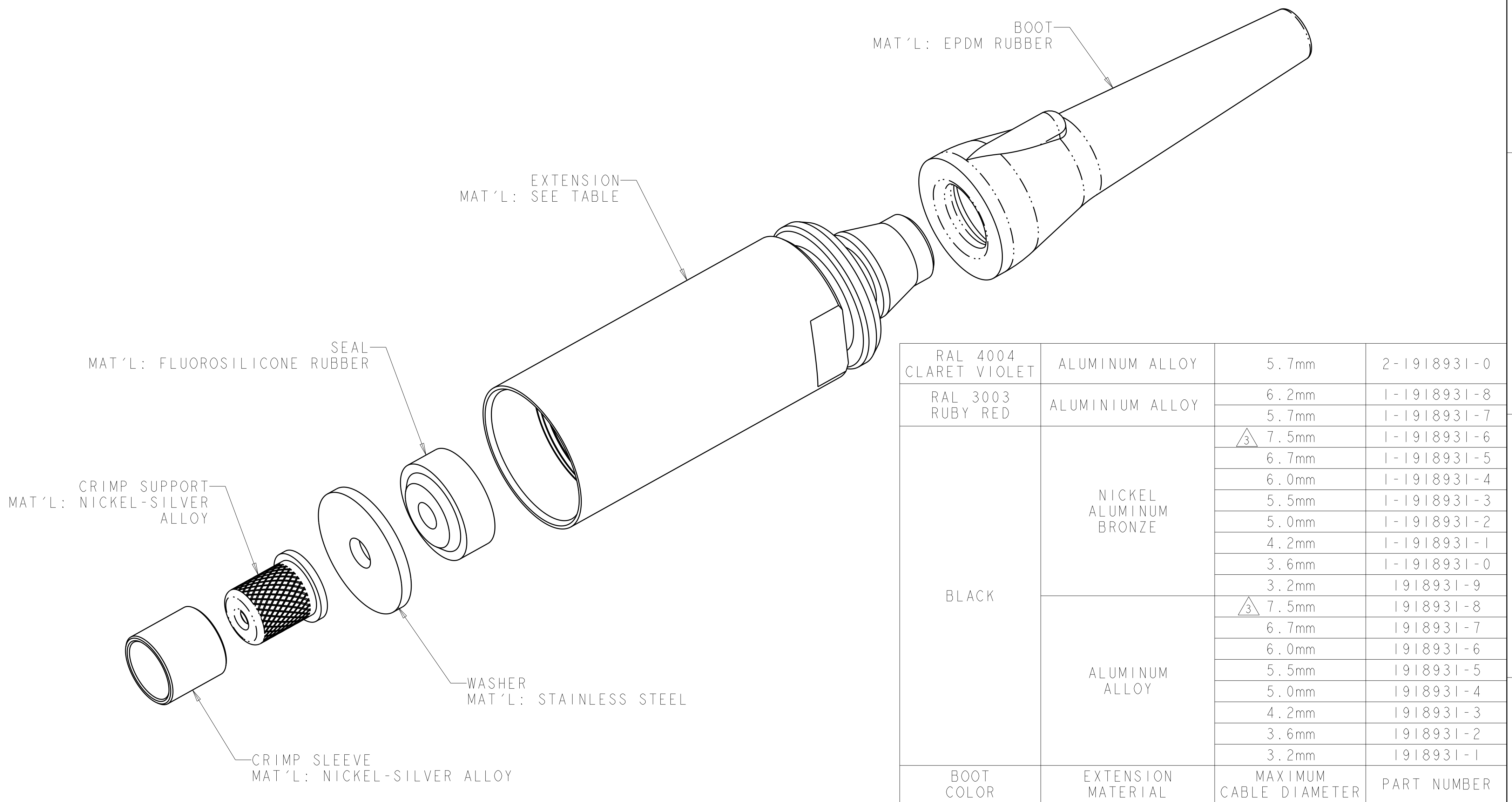


THIS DRAWING IS UNPUBLISHED. RELEASED FOR PUBLICATION 20
 © COPYRIGHT 20 BY - ALL RIGHTS RESERVED.

REVISIONS				
P	LTR	DESCRIPTION	DATE	APVD
C		ECR-15-008603	24JUN2015	KG DW
C1		ECR-19-015389	21OCT2019	LN DW
C2		ECO-20-009383	14JUL2020	LN DW



BOOT COLOR	EXTENSION MATERIAL	MAXIMUM CABLE DIAMETER	PART NUMBER		
RAL 4004 CLARET VIOLET	ALUMINUM ALLOY	5.7mm	2-1918931-0		
RAL 3003 RUBY RED	ALUMINIUM ALLOY	6.2mm	1-1918931-8		
		5.7mm	1-1918931-7		
		\triangle_3 7.5mm	1-1918931-6		
		6.7mm	1-1918931-5		
		6.0mm	1-1918931-4		
		5.5mm	1-1918931-3		
		5.0mm	1-1918931-2		
		4.2mm	1-1918931-1		
		3.6mm	1-1918931-0		
		3.2mm	1918931-9		
		BLACK	NICKEL ALUMINUM BRONZE	\triangle_3 7.5mm	1918931-8
				6.7mm	1918931-7
				6.0mm	1918931-6
				5.5mm	1918931-5
5.0mm	1918931-4				
4.2mm	1918931-3				
3.6mm	1918931-2				
BLACK	ALUMINUM ALLOY	3.2mm	1918931-1		
		7.5mm	1918931-8		
		6.7mm	1918931-7		
		6.0mm	1918931-6		
		5.5mm	1918931-5		
BLACK	ALUMINUM ALLOY	5.0mm	1918931-4		
		4.2mm	1918931-3		
		3.6mm	1918931-2		
		3.2mm	1918931-1		
		3.2mm	1918931-1		

- PACKAGED LOOSE PIECE.
 - DIMENSIONS ARE FOR REFERENCE ONLY.
- \triangle_3 FOR USE WITH \varnothing 7.5mm BREAKOUT CABLE WITH \varnothing 2.15mm MAXIMUM JACKETED SUBUNITS.

THIS DRAWING IS A CONTROLLED DOCUMENT.

DIMENSIONS: mm	TOLERANCES UNLESS OTHERWISE SPECIFIED:	DWN K. GLATFELTER 21OCT2006	TE Connectivity
	0 PLC ±	CHK D. WERTMAN 02JUN2008	
	1 PLC ±	APVD D. WERTMAN 02JUN2008	
	2 PLC ±	PRODUCT SPEC	
	3 PLC ±	APPLICATION SPEC	NAME CABLE ADAPTER KIT, PLUG, PRO BEAM JR.
	4 PLC ±	WEIGHT	SIZE A200779
MATERIAL AS LISTED	HARD ANODIZE (AL ONLY)	Customer Drawing	CAGE CODE C-1918931
		SCALE 3:1	DRAWING NO C-1918931
		SHEET 1 OF 1	RESTRICTED TO
		REV C2	

X-ON Electronics

Largest Supplier of Electrical and Electronic Components

Click to view similar products for [Fiber Optic Connectors](#) category:

Click to view products by [TE Connectivity](#) manufacturer:

Other Similar products are found below :

[0004700001](#) [6100-R](#) [6313](#) [F709034706](#) [F709722200](#) [F718183204](#) [F727403500](#) [F727752800](#) [FCXO-12-3BY](#) [FO-SCREW\(M2X6\)](#) [9440F20-27S-190](#) [944-120-6001](#) [944-125-6003](#) [9441F10SL-3S](#) [9446F10SL-4S](#) [953-101-5310-P](#) [954-101-57202B](#) [A0270169](#) [12-9122](#) [12-5702](#) [143025NC](#) [AX101713](#) [AX102420](#) [AX103923](#) [AX104141](#) [AX104193](#) [AX104228](#) [AX104230](#) [AX104562](#) [AX105203-B25](#) [AX105205-S1](#) [EHSC2M](#) [17-300800](#) [181-011-126](#) [BT34IW](#) [HRFCP-HSCJ-1\(61\)](#) [HRFC-R2\(40\)](#) [NKSOPBUY](#) [20500002116](#) [2064996-1](#) [20800001065](#) [2170](#) [9132](#) [2612](#) [2620](#) [9291](#) [9440F18-19S](#) [9440F20-14P](#) [9440F20-14PW](#) [9440W18-1S](#)