

THIS DRAWING IS UNPUBLISHED. RELEASED FOR PUBLICATION 20  
 © COPYRIGHT 20 BY - ALL RIGHTS RESERVED.

REVISIONS

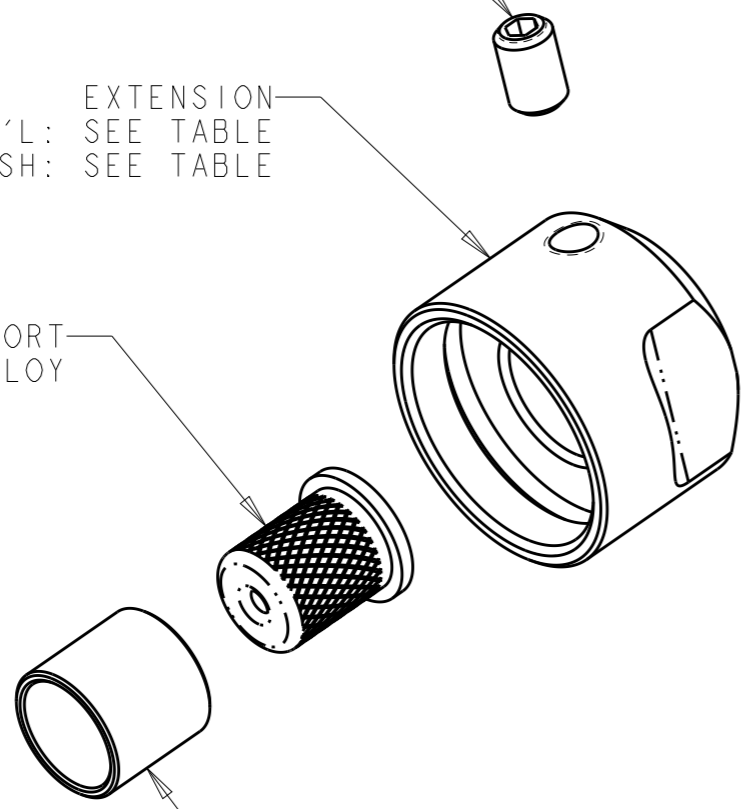
P	LTR	DESCRIPTION	DATE	DWN	APVD
	A2	ECR-15-009282	05AUG2015	KG	DW

SET SCREW, M4x6  
 MAT'L: STAINLESS STEEL

EXTENSION  
 MAT'L: SEE TABLE  
 FINISH: SEE TABLE

CRIMP SUPPORT  
 MAT'L: NICKEL-SILVER ALLOY

CRIMP SUPPORT  
 MAT'L: NICKEL-SILVER ALLOY



**SUPERSEDED BY:**  
 2-1918934-8  
**SUPERSEDED BY:**  
 2-1918934-7  
**SUPERSEDED BY:**  
 2-1918934-6  
**SUPERSEDED BY:**  
 2-1918934-5  
**SUPERSEDED BY:**  
 2-1918934-4  
**SUPERSEDED BY:**  
 2-1918934-3  
**SUPERSEDED BY:**  
 2-1918934-2

CONDUCTIVE OLIVE DRAB ZINC  
 ON ALUMINUM ALLOY

NICKEL ALUMINUM BRONZE ALLOY

HARD ANODIZE FINISH  
 ON ALUMINUM ALLOY

CONDUCTIVE BLACK ZINC-NICKEL ON ALUMINUM ALLOY	4 x 3mm	2-1918934-8
	6.7mm	2-1918934-7
	6.0mm	2-1918934-6
	5.5mm	2-1918934-5
	5.0mm	2-1918934-4
	4.2mm	2-1918934-3
	3.2mm	2-1918934-2
DESCRIPTION	MAXIMUM CABLE DIAMETER	PART NUMBER

CONDUCTIVE OLIVE DRAB ZINC ON ALUMINUM ALLOY	4 x 3mm	2-1918934-1
	6.7mm	2-1918934-0
	6.0mm	1-1918934-9
	5.5mm	1-1918934-8
	5.0mm	1-1918934-7
	4.2mm	1-1918934-6
	3.2mm	1-1918934-5
NICKEL ALUMINUM BRONZE ALLOY	4 x 3mm	1-1918934-4
	6.7mm	1-1918934-3
	6.0mm	1-1918934-2
	5.5mm	1-1918934-1
	5.0mm	1-1918934-0
	4.2mm	1918934-9
	3.2mm	1918934-8
HARD ANODIZE FINISH ON ALUMINUM ALLOY	4 x 3mm	1918934-7
	6.7mm	1918934-6
	6.0mm	1918934-5
	5.5mm	1918934-4
	5.0mm	1918934-3
	4.2mm	1918934-2
	3.2mm	1918934-1
DESCRIPTION	MAXIMUM CABLE DIAMETER	PART NUMBER

THIS DRAWING IS A CONTROLLED DOCUMENT.

DIMENSIONS: mm	TOLERANCES UNLESS OTHERWISE SPECIFIED:
	0 PLC ±-
	1 PLC ±-
	2 PLC ±-
	3 PLC ±-
	4 PLC ±-
	ANGLES ±-
MATERIAL AS LISTED	FINISH AS LISTED
-	-

DWN K. GLATFELTER 31OCT2006
CHK D. WERTMAN 04JUN2008
APVD D. WERTMAN 04JUN2008
PRODUCT SPEC -
APPLICATION SPEC -
WEIGHT -
Customer Drawing



NAME CABLE ADAPTER KIT, STD BULKHEAD, PRO BEAM JR.			
SIZE A3	CAGE CODE 00779	DRAWING NO C-1918934	RESTRICTED TO -
SCALE 2:1		SHEET 1 OF 1	REV A2

I. PACKAGED LOOSE PIECE.

## X-ON Electronics

Largest Supplier of Electrical and Electronic Components

*Click to view similar products for [Fiber Optic Connectors](#) category:*

*Click to view products by [TE Connectivity](#) manufacturer:*

Other Similar products are found below :

[0004700001](#) [6100-R](#) [6313](#) [F709034706](#) [F709722200](#) [F718183204](#) [F727403500](#) [F727752800](#) [FCXO-12-3BY](#) [FO-SCREW\(M2X6\)](#) [9440F20-27S-190](#) [944-120-6001](#) [944-125-6003](#) [9441F10SL-3S](#) [9446F10SL-4S](#) [953-101-5310-P](#) [954-101-57202B](#) [A0270169](#) [12-9122](#) [12-5702](#) [143025NC](#) [AX101713](#) [AX102420](#) [AX103923](#) [AX104141](#) [AX104193](#) [AX104228](#) [AX104230](#) [AX104562](#) [AX105203-B25](#) [AX105205-S1](#) [EHSC2M](#) [17-300800](#) [181-011-126](#) [BT34IW](#) [HRFCP-HSCJ-1\(61\)](#) [HRFC-R2\(40\)](#) [NKSOPBUY](#) [20500002116](#) [2064996-1](#) [20800001065](#) [2170](#) [9132](#) [2612](#) [2620](#) [9291](#) [9440F18-19S](#) [9440F20-14P](#) [9440F20-14PW](#) [9440W18-1S](#)