

THIS DRAWING IS UNPUBLISHED.

RELEASED FOR PUBLICATION

20

© COPYRIGHT 20 BY -

ALL RIGHTS RESERVED.

REVISIONS

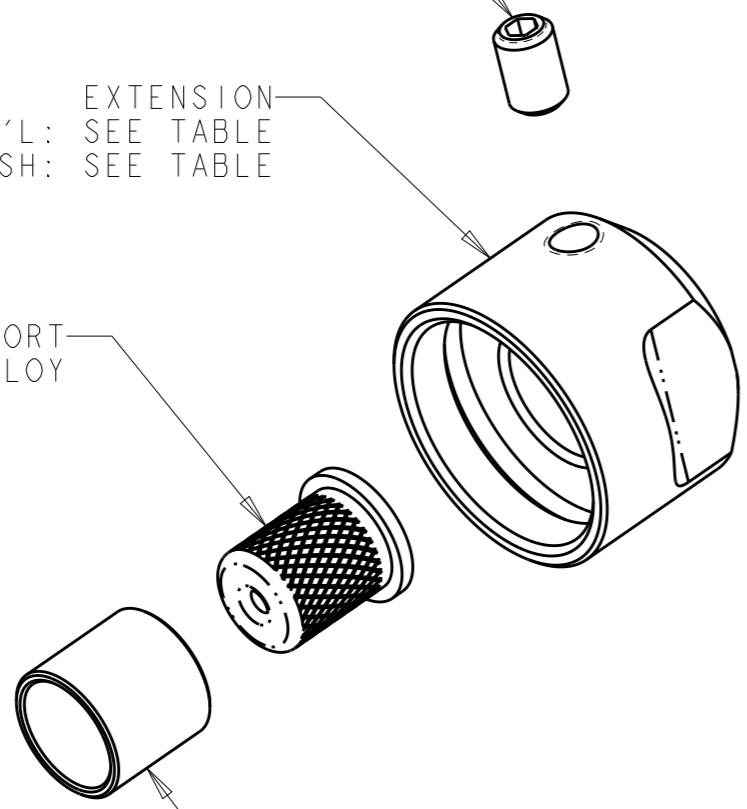
P	LTR	DESCRIPTION	DATE	DWN	APVD
	A2	ECR-15-009282	05AUG2015	KG	DW

SET SCREW, M4x6
MAT'L: STAINLESS STEEL

EXTENSION
MAT'L: SEE TABLE
FINISH: SEE TABLE

CRIMP SUPPORT
MAT'L: NICKEL-SILVER ALLOY

CRIMP SUPPORT
MAT'L: NICKEL-SILVER ALLOY



SUPERSEDED BY:
2-1918934-8

SUPERSEDED BY:
2-1918934-7

SUPERSEDED BY:
2-1918934-6

SUPERSEDED BY:
2-1918934-5

SUPERSEDED BY:
2-1918934-4

SUPERSEDED BY:
2-1918934-3

SUPERSEDED BY:
2-1918934-2

CONDUCTIVE OLIVE DRAB ZINC
ON ALUMINUM ALLOY

NICKEL ALUMINUM BRONZE ALLOY

HARD ANODIZE FINISH
ON ALUMINUM ALLOY

CONDUCTIVE BLACK ZINC-NICKEL ON ALUMINUM ALLOY	4 x 3mm	2-1918934-8
	6.7mm	2-1918934-7
	6.0mm	2-1918934-6
	5.5mm	2-1918934-5
	5.0mm	2-1918934-4
	4.2mm	2-1918934-3
	3.2mm	2-1918934-2
DESCRIPTION	MAXIMUM CABLE DIAMETER	PART NUMBER

CONDUCTIVE OLIVE DRAB ZINC ON ALUMINUM ALLOY	4 x 3mm	2-1918934-1
	6.7mm	2-1918934-0
	6.0mm	1-1918934-9
	5.5mm	1-1918934-8
	5.0mm	1-1918934-7
	4.2mm	1-1918934-6
	3.2mm	1-1918934-5
NICKEL ALUMINUM BRONZE ALLOY	4 x 3mm	1-1918934-4
	6.7mm	1-1918934-3
	6.0mm	1-1918934-2
	5.5mm	1-1918934-1
	5.0mm	1-1918934-0
	4.2mm	1918934-9
	3.2mm	1918934-8
HARD ANODIZE FINISH ON ALUMINUM ALLOY	4 x 3mm	1918934-7
	6.7mm	1918934-6
	6.0mm	1918934-5
	5.5mm	1918934-4
	5.0mm	1918934-3
	4.2mm	1918934-2
	3.2mm	1918934-1
DESCRIPTION	MAXIMUM CABLE DIAMETER	PART NUMBER

THIS DRAWING IS A CONTROLLED DOCUMENT.

DWN 31OCT2006
K. GLATFELTER

CHK 04JUN2008
D. WERTMAN

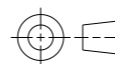
APVD 04JUN2008
D. WERTMAN

STE TE Connectivity

NAME
CABLE ADAPTER KIT, STD BULKHEAD,
PRO BEAM JR.

DIMENSIONS:
mm

TOLERANCES UNLESS
OTHERWISE SPECIFIED:



0 PLC ±-

1 PLC ±-

2 PLC ±-

3 PLC ±-

4 PLC ±-

ANGLES ±-

MATERIAL
AS LISTED

FINISH
AS LISTED

PRODUCT SPEC

APPLICATION SPEC

WEIGHT

SIZE	CAGE CODE	DRAWING NO	RESTRICTED TO
A3	00779	C-1918934	-

I. PACKAGED LOOSE PIECE.

Customer Drawing

SCALE 2:1 SHEET 1 OF 1 REV A2

X-ON Electronics

Largest Supplier of Electrical and Electronic Components

Click to view similar products for [Fibre Optic Connectors](#) category:

Click to view products by [TE Connectivity](#) manufacturer:

Other Similar products are found below :

[0004700001](#) [6100-R](#) [6313](#) [F709034706](#) [F709722200](#) [F709730000](#) [F718183204](#) [F727403500](#) [F727752800](#) [8119](#) [9440F20-27S-190](#) [944-120-6001](#) [9441F10SL-3S](#) [9444W28-21S](#) [9444W36-10S](#) [9446F10SL-4S](#) [9446W20-16S](#) [953-101-5310-P](#) [954-101-57202B](#) [A0270169](#) [12-9122](#) [12-5702](#) [AX101713](#) [AX102420](#) [AX103923](#) [AX104024](#) [AX104193](#) [AX104230](#) [AX104562](#) [AX105203-B25](#) [AX105205-S1](#) [EHSC2M](#) [181-011-126](#) [181-011-S](#) [181-057-126](#) [HRFC-R2\(40\)](#) [NKSOPBUY](#) [20500002116](#) [2064996-1](#) [20800001065](#) [2170](#) [9132](#) [2612](#) [2620](#) [9291](#) [9440F16-10S](#) [9440F20-18S](#) [9446F16-10S-190](#) [953-106-50231](#) [953-120-5003](#)