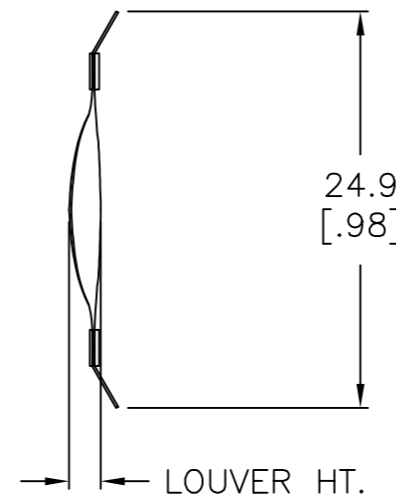
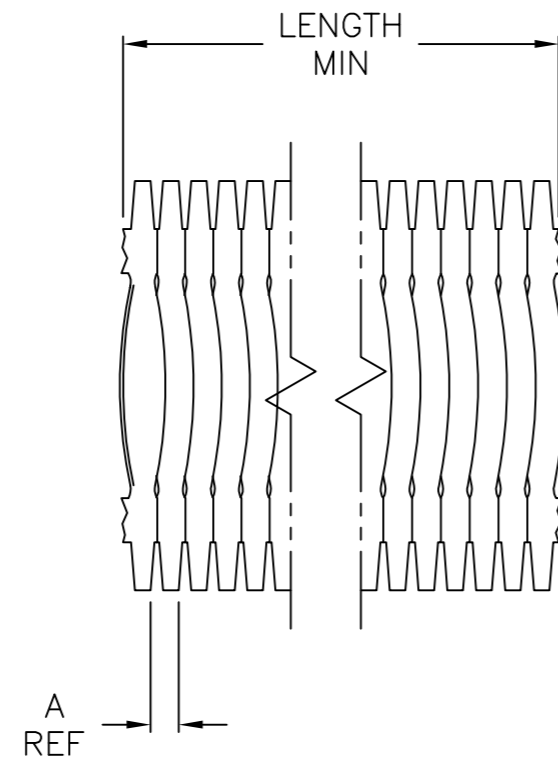


THIS DRAWING IS UNPUBLISHED. RELEASED FOR PUBLICATION
 © COPYRIGHT - By - ALL RIGHTS RESERVED.

REVISIONS					
P	LTR	DESCRIPTION	DATE	DWN	APVD
M		REVISED PER ECO-16-005106	05APR2016	NK	MZ
N		REVISED PER ECO-18-000435	17JAN2018	RS	MZ

- 1 FINISH- SILVER PLATE 500 μINCHES THICK MINIMUM.
- 2 FINISH- SILVER PLATE 200 μINCHES THICK MINIMUM.
- 3 FINISH- NICKEL PLATE 40 μINCHES THICK MINIMUM.
- 4 FINISH- GOLD PLATE 50 μIN MIN THICK MINIMUM.
- 5 FINISH-
- 6 PLATING NOTES ARE TO BE INTERPRETED AS FOLLOWS: 1-2 AS 1 OVER 2.
- 7 PRODUCT IS SOLD BY THE FOOT.
- 8 PRELIMINARY PART NUMBER.
- 9 FINISH- GOLD PLATE 40 μIN THICK MINIMUM.
- 10 FINISH- NICKEL PLATE 100 μIN THICK MINIMUM.
- 11 OBSOLETE
- 12 OBSOLETE PARTS: OBSOLETE CIS STREAMLINING PER D.RENAUD/D.SINISI
- 13 10 LOUVERS, NOT TO EXCEED 1.000 INCHES.



OBSOLETE		8	2.79 [.110]	1.90[48.3]/2.00[50.8]	1-3	20 MIN	0.25 [.010]	-	2-192002-0	
OBSOLETE	.100		2.75 [.110]		4-3	7	0.25 [.010]	-	1-192002-9	
OBSOLETE	.100	8	2.75 [.110]	1.00 ^{+0.01} _{-0.00}	1-3	10-11	0.25 [.010]	-	1-192002-8	
12	.090		2.79 [.110]		9-10	7	0.25 [.010]		1-192002-7	
OBSOLETE	.100		2.67 [.105]		4-3	7	0.15 [.006]		1-192002-6	
		8	2.67 [.105]		4-3	3	0.15 [.006]		1-192002-5	
	.090	8	2.67 [.105]		4-3	7	0.15 [.006]		1-192002-4	
OBSOLETE		8	2.67 [.105]		1-3	3	0.15 [.006]		1-192002-3	
		8	2.67 [.105]		1-3	7	0.15 [.006]		1-192002-2	
		8	2.67 [.105]		4-3	7	0.15 [.006]		1-192002-1	
		8	2.79 [.110]		-	UNPL	6	0.25 [.010]	1-192002-0	
12			2.79 [.110]	203.2 [8.00]	1-3		0.25 [.010]	00517	192002-9	
OBSOLETE			2.79 [.110]		1-3	4	0.25 [.010]	00513	192002-8	
	.100	11	2.79 [.110]		--	1-3	9	0.25 [.010]	00515	192002-7
12			2.79 [.110]		--	1-3	5	0.25 [.010]	00514	192002-6
OBSOLETE			2.79 [.110]	152.4 [6.00]	1-3		0.25 [.010]	00516	192002-5	
OBSOLETE			2.79 [.110]	13	1-3	7	0.25 [.010]	00502	192002-4	
			2.79 [.110]			UNPL	7	0.25 [.010]	00503	192002-3
OBSOLETE			2.67 [.105]		1-3	7	0.15 [.006]	00501	192002-2	
OBSOLETE			2.67 [.105]			UNPL	7	0.15 [.006]	00500	192002-1
	A		LOUVER HT	LENGTH	PLATING (NOTE)	NUM LOUV	MAT'L THK	WAS	PART NUMBER	

THIS DRAWING IS A CONTROLLED DOCUMENT.

DIMENSIONS: mm [INCHES] TOLERANCES UNLESS OTHERWISE SPECIFIED:

0 PLC	± -
1 PLC	± -
2 PLC	± 0.5 [.02]
3 PLC	± 0.25 [.010]
4 PLC	± -
ANGLES	± -
FINISH	SEE TABLE

MATERIAL: BeCu

TE Connectivity
 CONTACT BAND, STRIP

SIZE: A2 CAGE CODE: 00779 DRAWING NO: C=192002 RESTRICTED TO: -

SCALE: 1:1 SHEET: 1 of 1 REV: N

X-ON Electronics

Largest Supplier of Electrical and Electronic Components

Click to view similar products for [TE Connectivity](#) manufacturer:

Other Similar products are found below :

[D38999/24FJ4AN](#) [570416-000](#) [CLTEQ-M81CE-SSRELAY-4-20V](#) [4-1195131-0](#) [650069-000](#) [SMD100-2](#) [358838-000](#) [CB-1022B-78](#)
[RM707012](#) [RP410012](#) [MMS42](#) [1-640426-8](#) [2EDL4CM](#) [DTS20W19-11PD-3028-LC](#) [RM202615](#) [NC6-P104-06](#) [MSPS103B](#) [DTS26F21-](#)
[41HE-LC](#) [DTS26F21-41AE](#) [DTS26F21-41PE-LC](#) [DTS26F21-11SE-3028-LC](#) [30DCB6](#) [1932144-1](#) [293545-4](#) [LVR125S](#) [MS27466T25F4PB](#)
[CKB-38-78010](#) [TR04AI-TINELLOCKRING](#) [1206SFF150F/63-2](#) [D38999/20JB35HA](#) [TE1500A2R2J](#) [D38999/20WC8BB](#) [DTS24F19-11SC-](#)
[3028-LC](#) [D38999/24WG11HA](#) [D38999/24WG11HN](#) [MS27467T21F11H](#) [DJT16E21-11HA](#) [MS27467T21F35J](#) [MS27467T21F11J](#)
[MS27467T21F16H-LC](#) [MS27467T21F35H](#) [MS27467T21F41H-LC](#) [1206SFH150F/24-2](#) [RP330024](#) [DJT16E21-11PA-LC](#) [DJT16E21-11HA-](#)
[LC](#) [DJT16E21-11AA](#) [MS27467T21B11JA](#) [DJT16E21-11JA](#) [MS27467T21B11JA-LC](#)