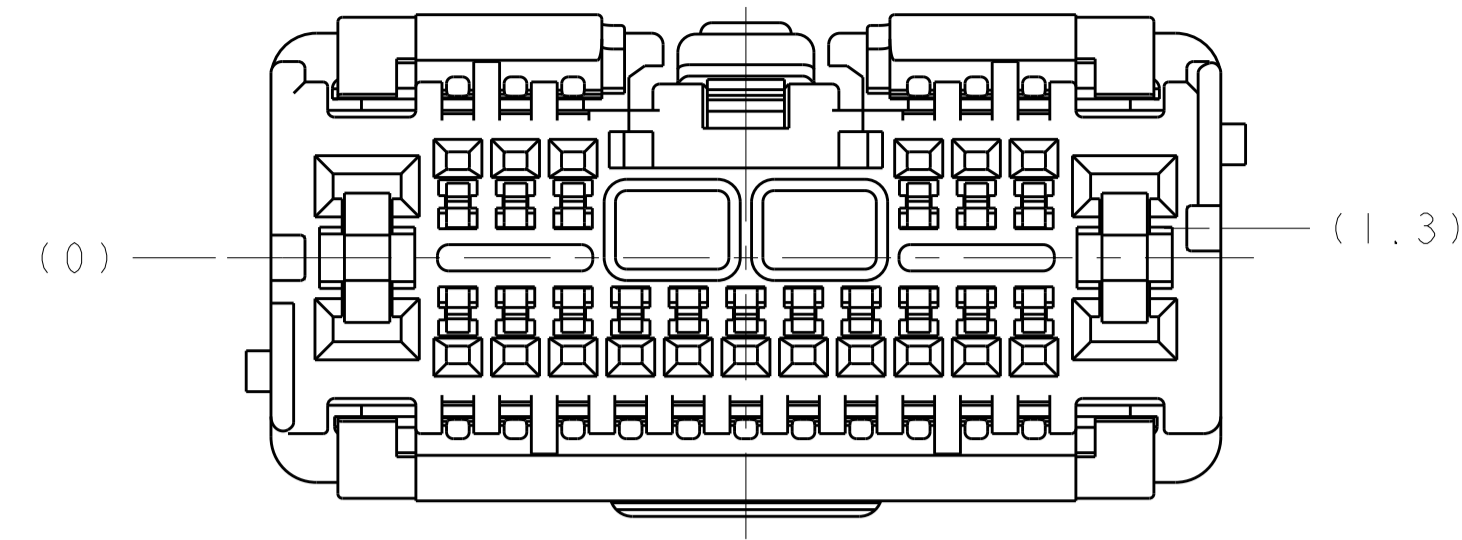
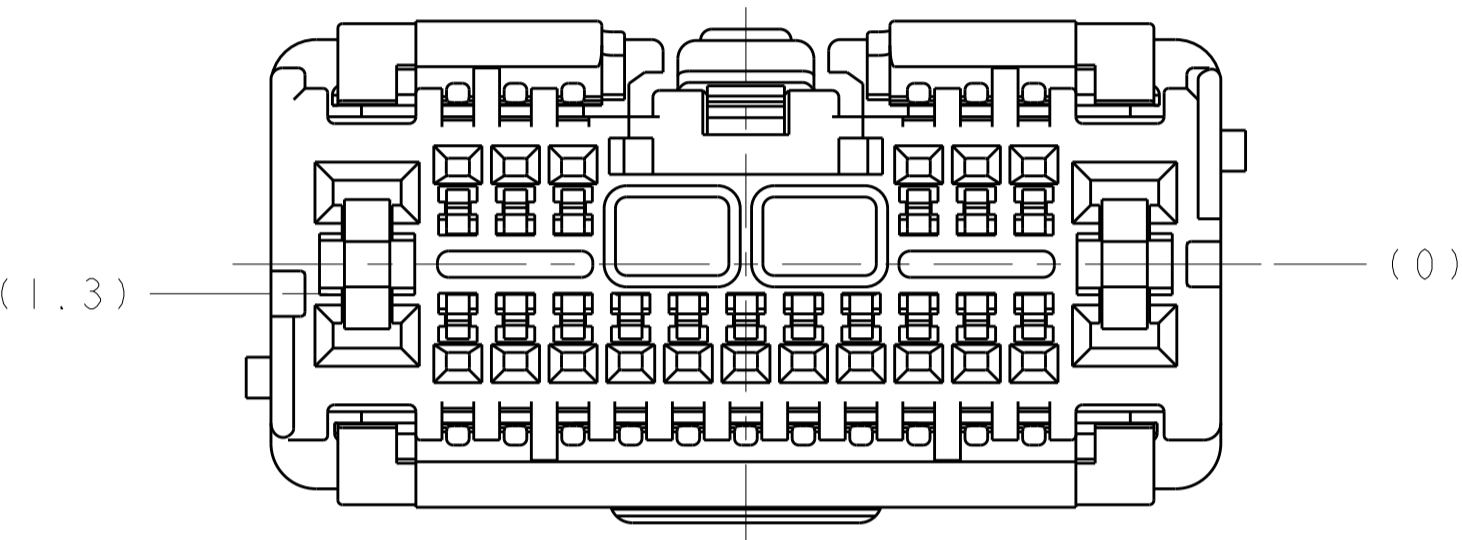


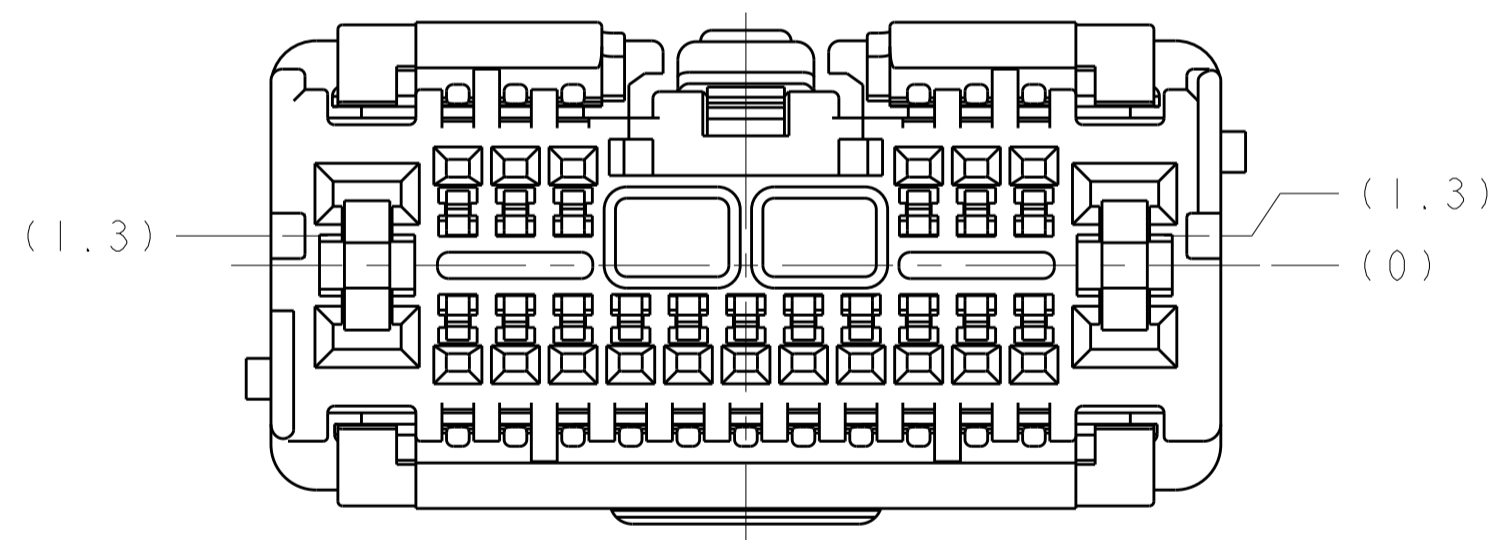
LOC		DIST		REVISIONS			
P	LTM	DESCRIPTION	DATE	OWN	APVD		
A		REVISED PER ECO-09-006169	11MAR2009	AJV	AJV		
B		REVISED PER ECO-13-005462	02APR2013	DD	CS		
C		REVISED PER ECO-17-017407	05DEC2017	JMS	CS		



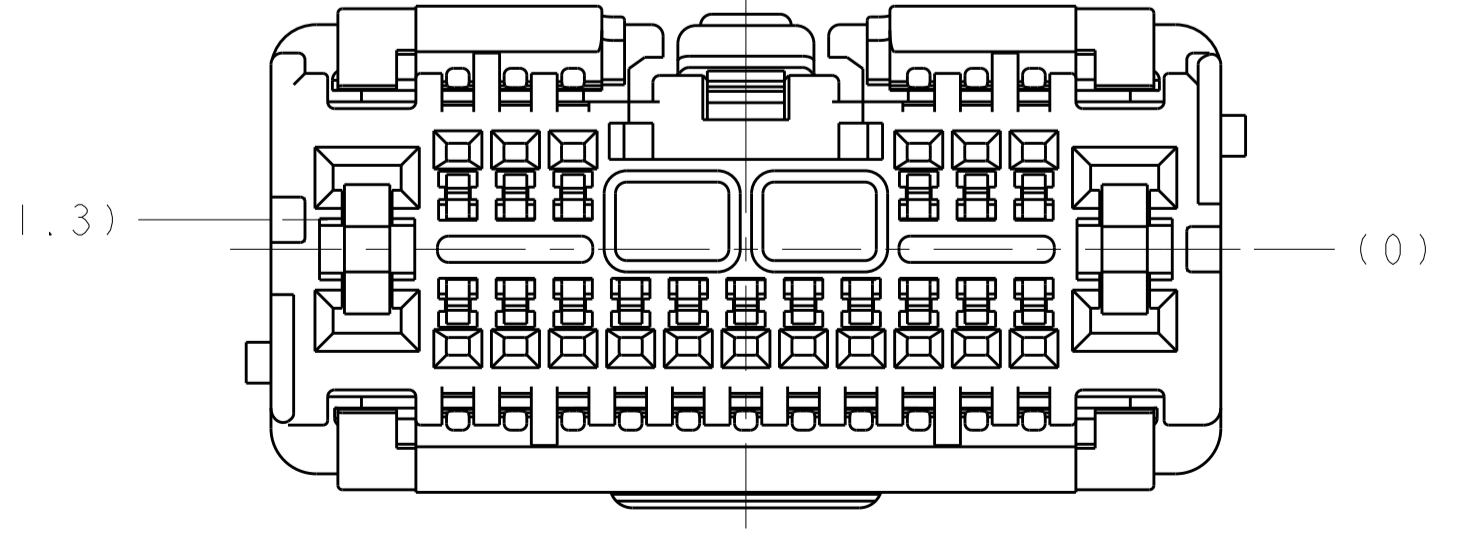
1924126-1  
KEYING OPTION "A"



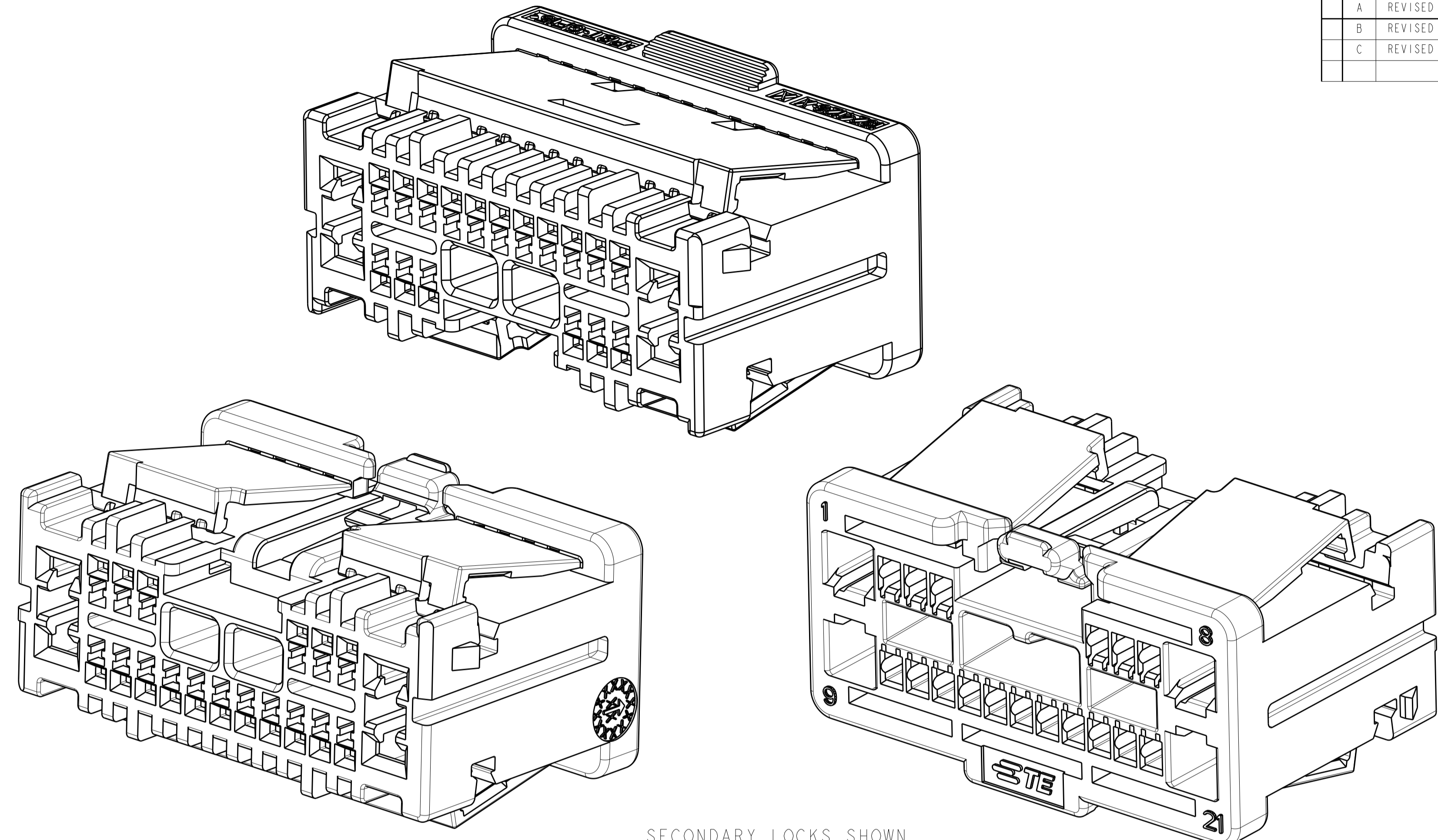
1924126-2  
KEYING OPTION "B"



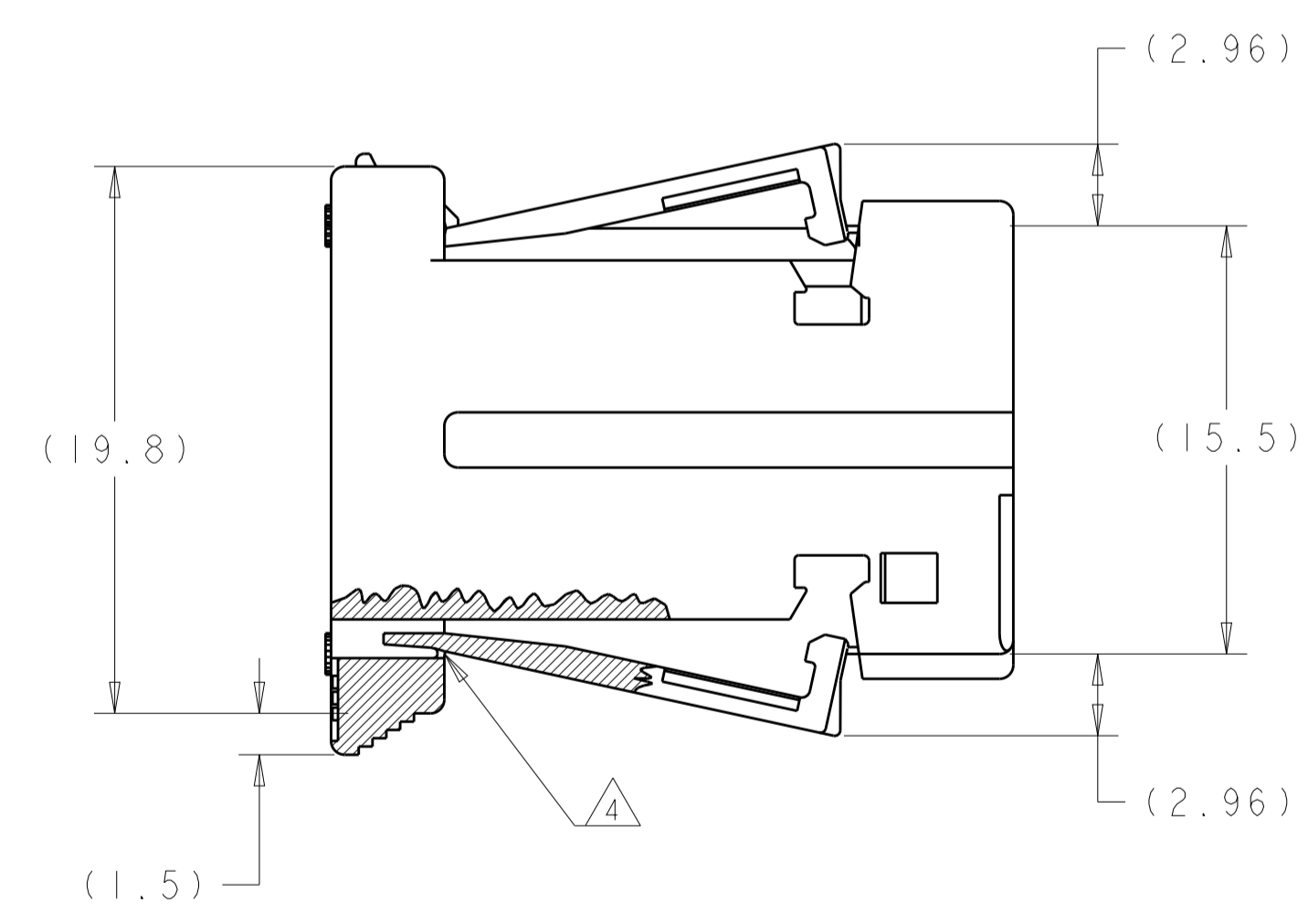
1924126-3  
KEYING OPTION "C"



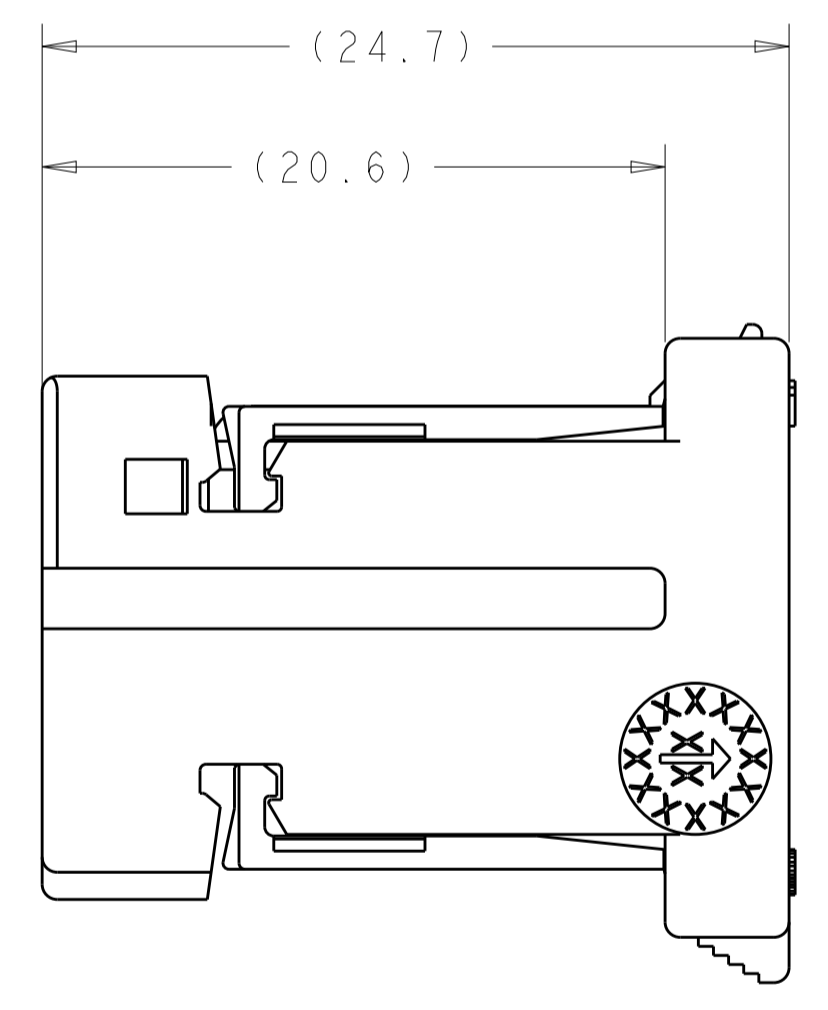
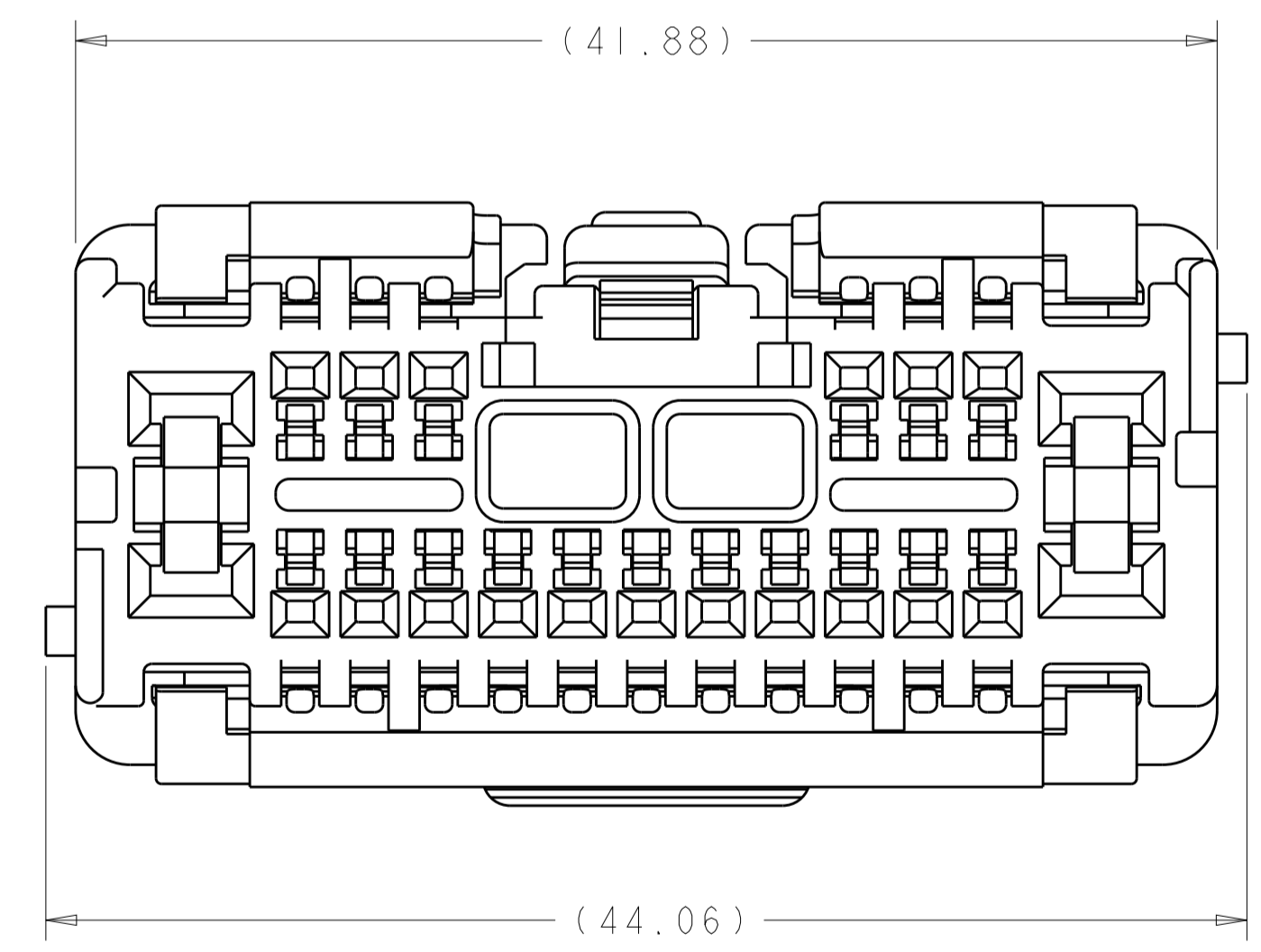
1924126-4  
KEYING OPTION "D"



SECONDARY LOCKS SHOWN  
IN OPEN POSITION  
(SHIPPING POSITION)



SECTION E-E



SIDE VIEW WITH  
SECONDARY LOCK CLOSED

NOTES:

- MATERIAL:  
PLUG HOUSING: PBT 15% GLASS FILLED  
COLOR: BLACK
  - OPTIONAL CPA AVAILABLE.
  - MATING RECEPTACLES:  
1326030 TIN PLATING, 2.8 CONTACT  
1924955 TIN PLATING, 0.64 CONTACT
- (4) WHEN SECONDARY LOCK IS TRANSITIONED FROM THE OPEN TO THE CLOSED POSITION THE PLASTIC ATTACHING THE SECONDARY LOCK IS ALLOWED/ASSUMED TO BREAK AWAY IN THE AREA SHOWN (TYPICAL).
- (5) PRELIMINARY PART NUMBER, NOT TOOLED.

D	1924126-4	(5)
C	1924126-3	(5)
B	1924126-2	(5)
A	1924126-1	
KEYING OPTION	TE PART NUMBER	

THIS DRAWING IS A CONTROLLED DOCUMENT.

DIMENSIONS:	TOLERANCES UNLESS OTHERWISE SPECIFIED:	OWN: M. HITCHCOCK 01MAY2007	CHK: A. VASBINDER 01MAY2007	APVD: A. VASBINDER 01MAY2007	NAME: 21-WAY UNSEALED 1-PIECE (17X 0.64, 4X 2.8)
mm	0 PLC ±0.0 1 PLC ±0.3 2 PLC ±0.10 3 PLC ±0.0 4 PLC ±0.0 ANGLES ±0.0	PRODUCT SPEC	APPLICATION SPEC	SIZE: CAGE CODE: DRAWING NO: A100779	RESTRICTED TO: -
MATERIAL:	FINISH:	WEIGHT:	Customer Drawing	SCALE: 4:1	SHEET 1 OF 1 REV C

TE Connectivity

## X-ON Electronics

Largest Supplier of Electrical and Electronic Components

*Click to view similar products for [Automotive Connectors](#) category:*

*Click to view products by [TE Connectivity](#) manufacturer:*

Other Similar products are found below :

[003-018-000](#) [60993906-B](#) [M902-2131](#) [M902-2161](#) [M902-2344](#) [72.330.1035.1](#) [73.353.4028.0](#) [F166900](#) [F358300-B](#) [F407400](#) [776880-1](#)  
[827153-1](#) [8N1515-32-24P](#) [9-1326729-8](#) [925474-1](#) [928905-1](#) [964562-4](#) [968782-1](#) [98891-1012](#) [12004475-L](#) [12020308](#) [12041318-B](#)  
[12052466](#) [12064869](#) [12015909](#) [1-21030-1](#) [12041254](#) [12041318](#) [12047946-B](#) [12110546-B](#) [12131792](#) [12084688](#) [12092346](#) [HD34-18-14PT](#)  
[HD46-24-23SN-059](#) [HDB36-24-16PN-059](#) [HDP26-24-9SE-L015](#) [12185280](#) [12185550](#) [12336-12](#) [12191172-B](#) [12S](#) [13545280](#) [13577943](#)  
[13681974](#) [13737722-B](#) [13830674](#) [13832576](#) [13849772](#) [13542772](#)