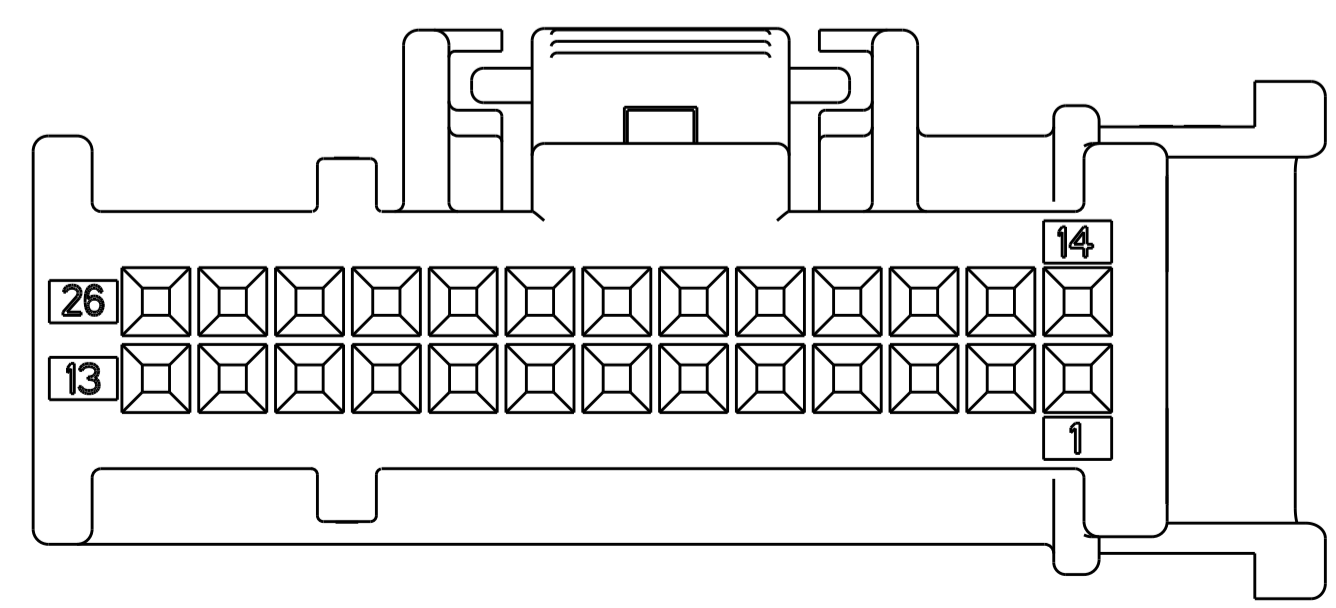
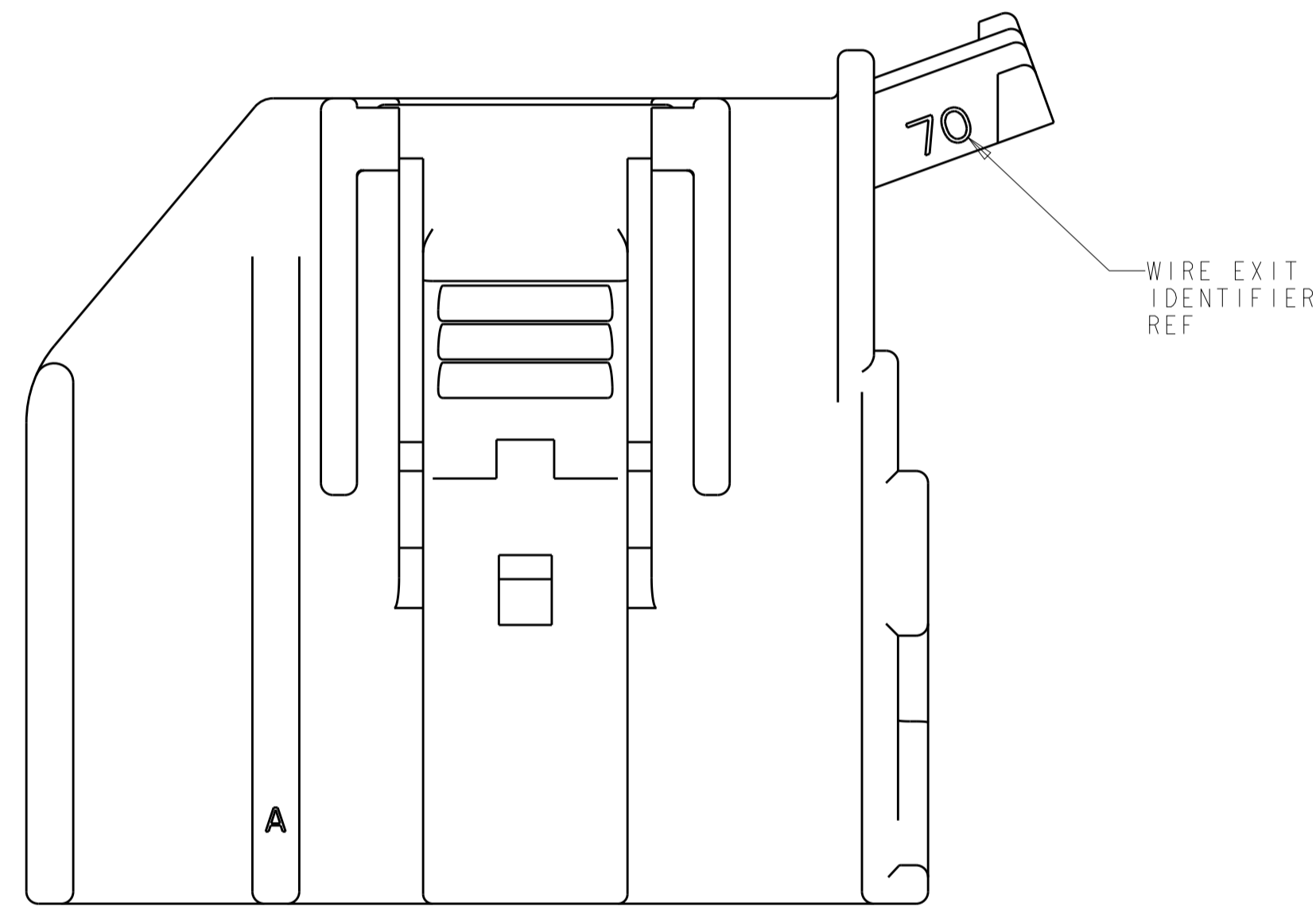
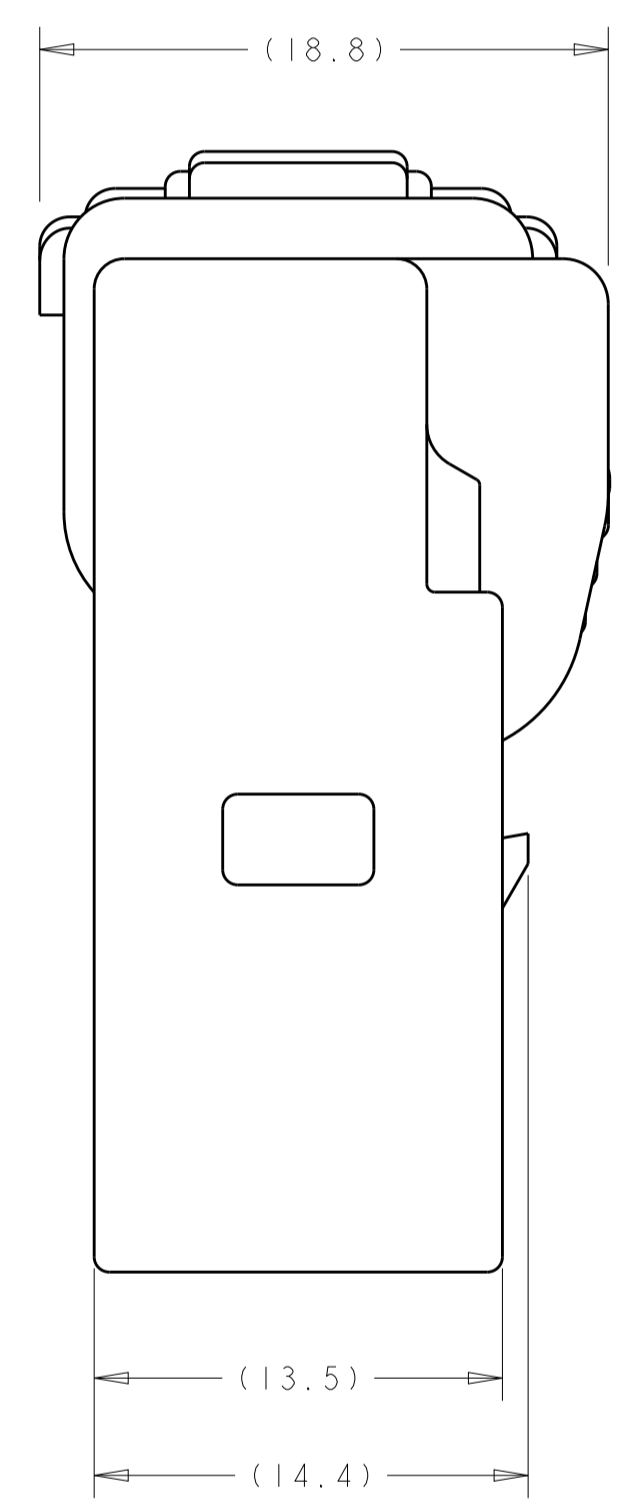
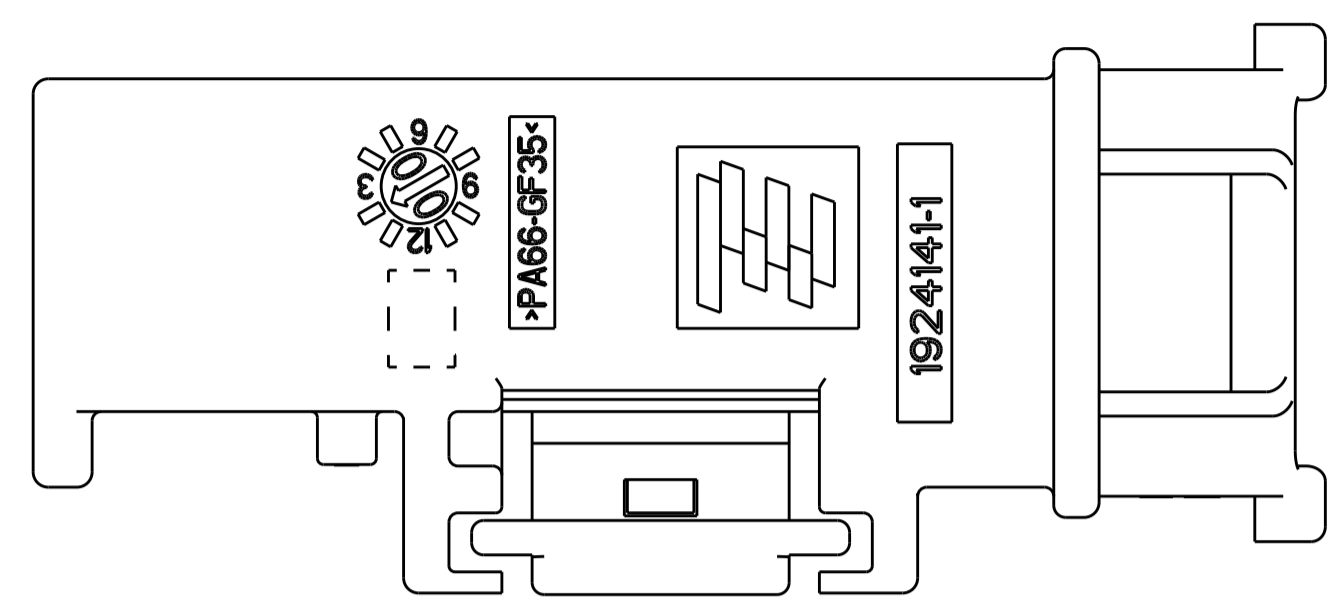
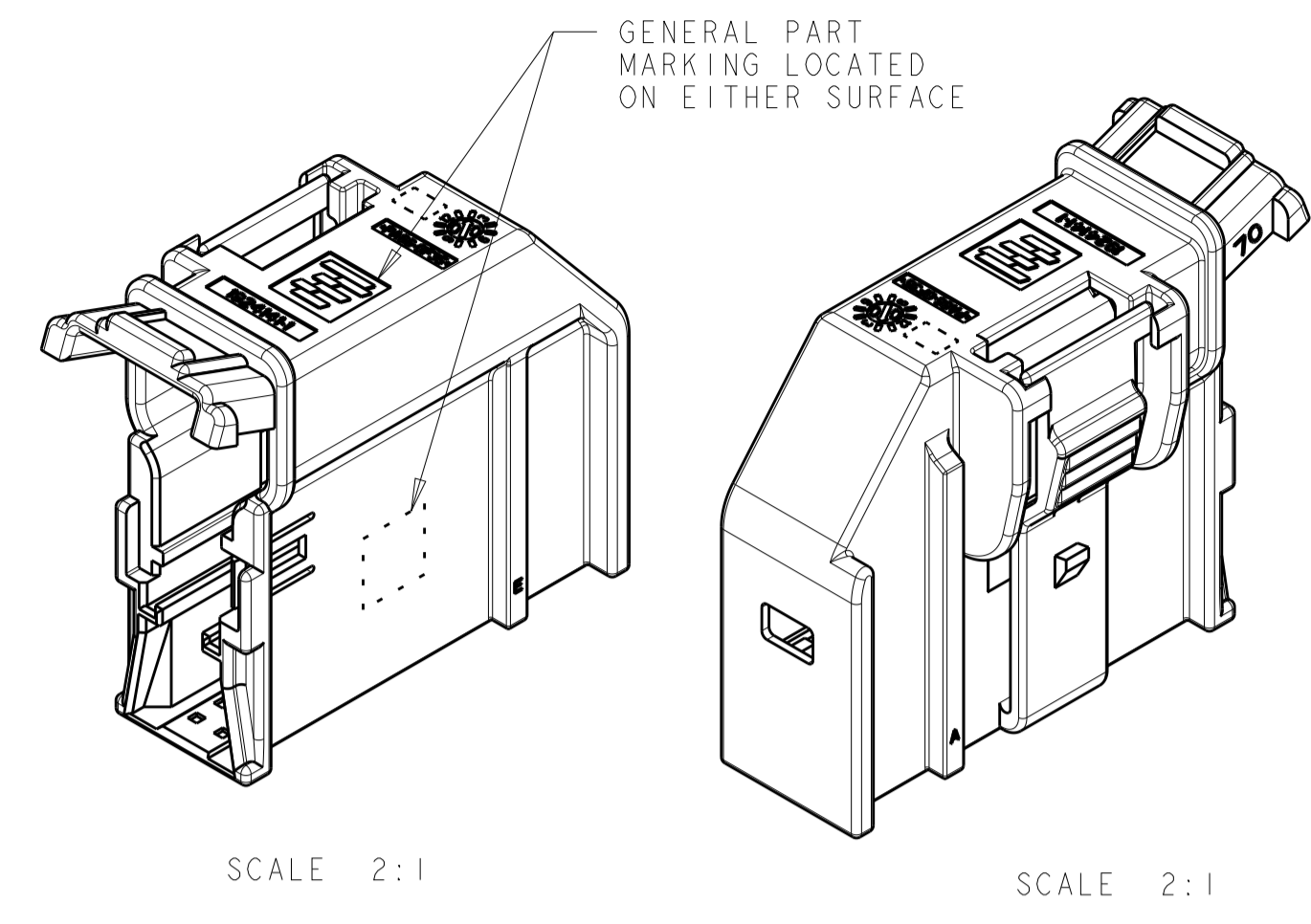


LOC		DIST		REVISIONS			
P	LTN	DESCRIPTION	DATE	DWN	APVD		
A2		REVISED PER ECO-08-022333	08SEP2008	DLD	CJS		
A3		REVISED PER ECO-13-004668	18MAR2013	DLD	CJS		
A4		ECO-17-012938	06SEP2017	KP	CS		
A5		REV PER ECO-20-015934	19NOV2020	RGV	CS		



△ MATERIAL: SHIELD HOUSING: NYLON 6/6, COLOR - SEE TABLE.

STATUS	COLOR REF	WIRE EXIT ANGLE	KEYING	KEYING OPTION	PART NUMBER
PRELIMINARY - NOT RELEASED FOR PRODUCTION	NATURAL	70°0'	PER DETAIL AE	A-E	1-1924141-0
RELEASED	BLUE	20°0'	PER DETAIL BF	B-F	1924141-9
PRELIMINARY - NOT RELEASED FOR PRODUCTION	GRAY	20°0'	PER DETAIL BE	B-E	1924141-8
RELEASED	BLACK	20°0'	PER DETAIL AE	A-E	1924141-7
PRELIMINARY - NOT RELEASED FOR PRODUCTION	BLUE	45°0'	PER DETAIL BF	B-F	1924141-6
PRELIMINARY - NOT RELEASED FOR PRODUCTION	GRAY	45°0'	PER DETAIL BE	B-E	1924141-5
PRELIMINARY - NOT RELEASED FOR PRODUCTION	BLACK	45°0'	PER DETAIL AE	A-E	1924141-4
RELEASED	BLUE	70°0'	PER DETAIL BF	B-F	1924141-3
RELEASED	GRAY	70°0'	PER DETAIL BE	B-E	1924141-2
RELEASED	BLACK	70°0'	PER DETAIL AE	A-E	1924141-1

THIS DRAWING IS A CONTROLLED DOCUMENT.

DWN: R BARKER 17MAR2008
 CHK: R HETRICK 17MAR2008
 APVD: R HETRICK 17MAR2008

TE TE Connectivity

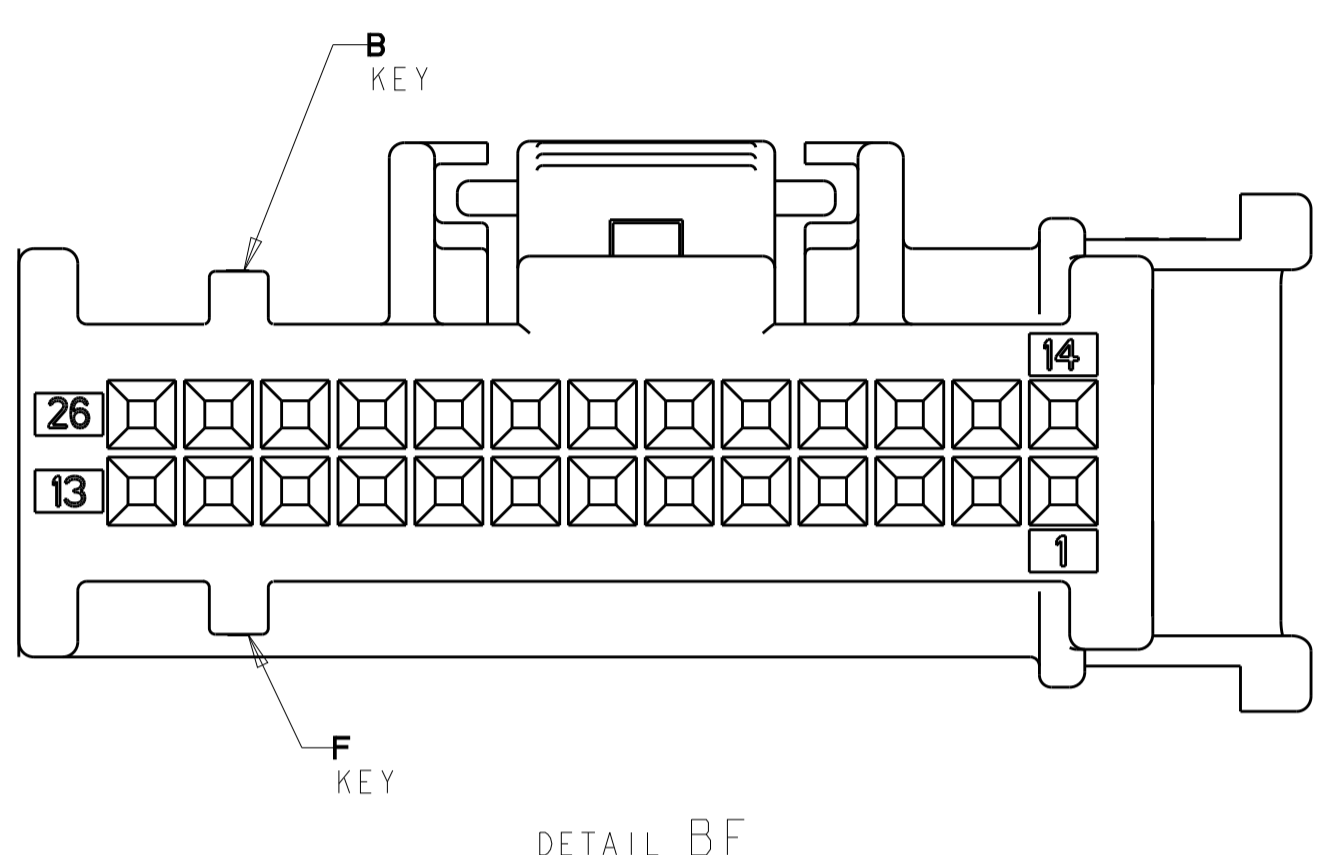
NAME: SHIELD HOUSING, HAND MATE, 26 POSITION, GENERATION Y, 0.64mm LAC

SIZE: A1 00779 C=1924141

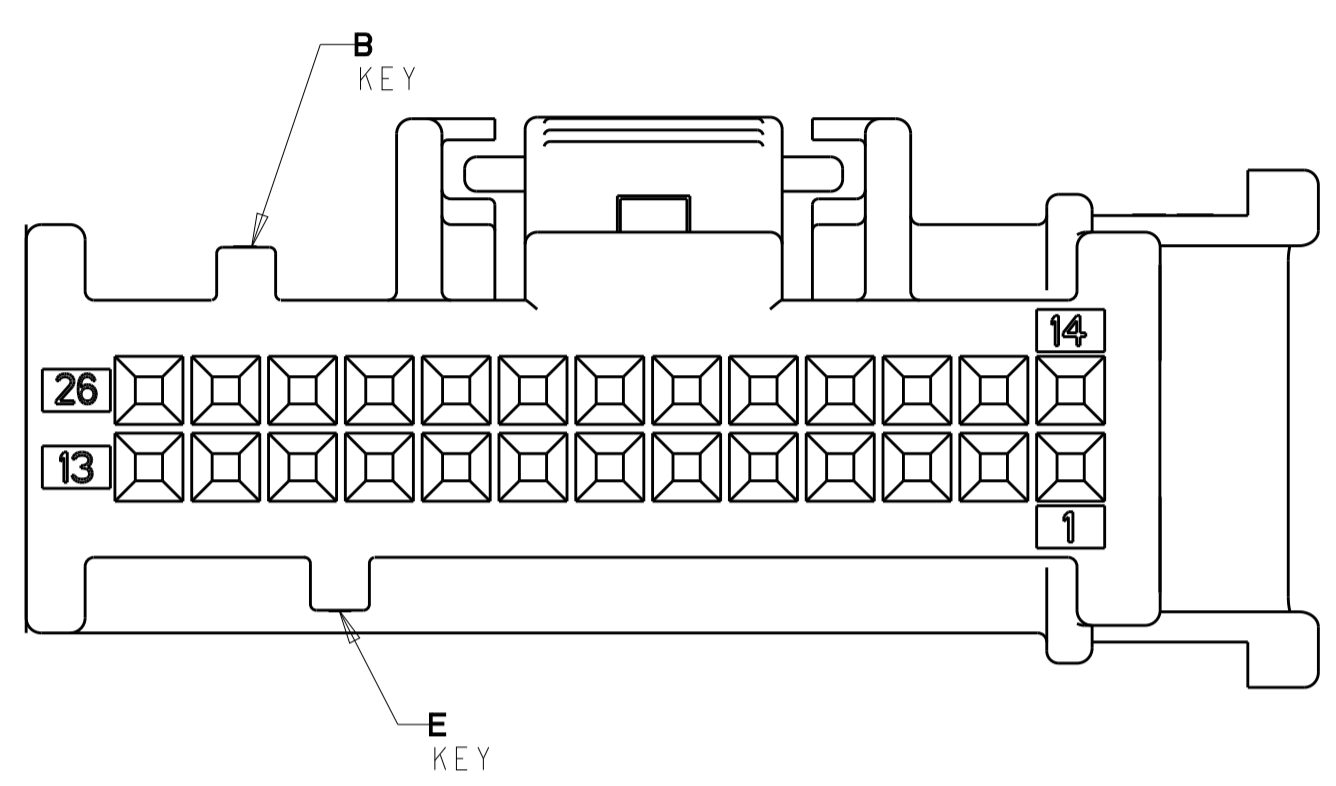
SCALE: 4:1 SHEET 1 OF 2 REV: A5

THIS DRAWING IS UNPUBLISHED. RELEASED FOR PUBLICATION 20
COPYRIGHT 20 BY - ALL RIGHTS RESERVED.

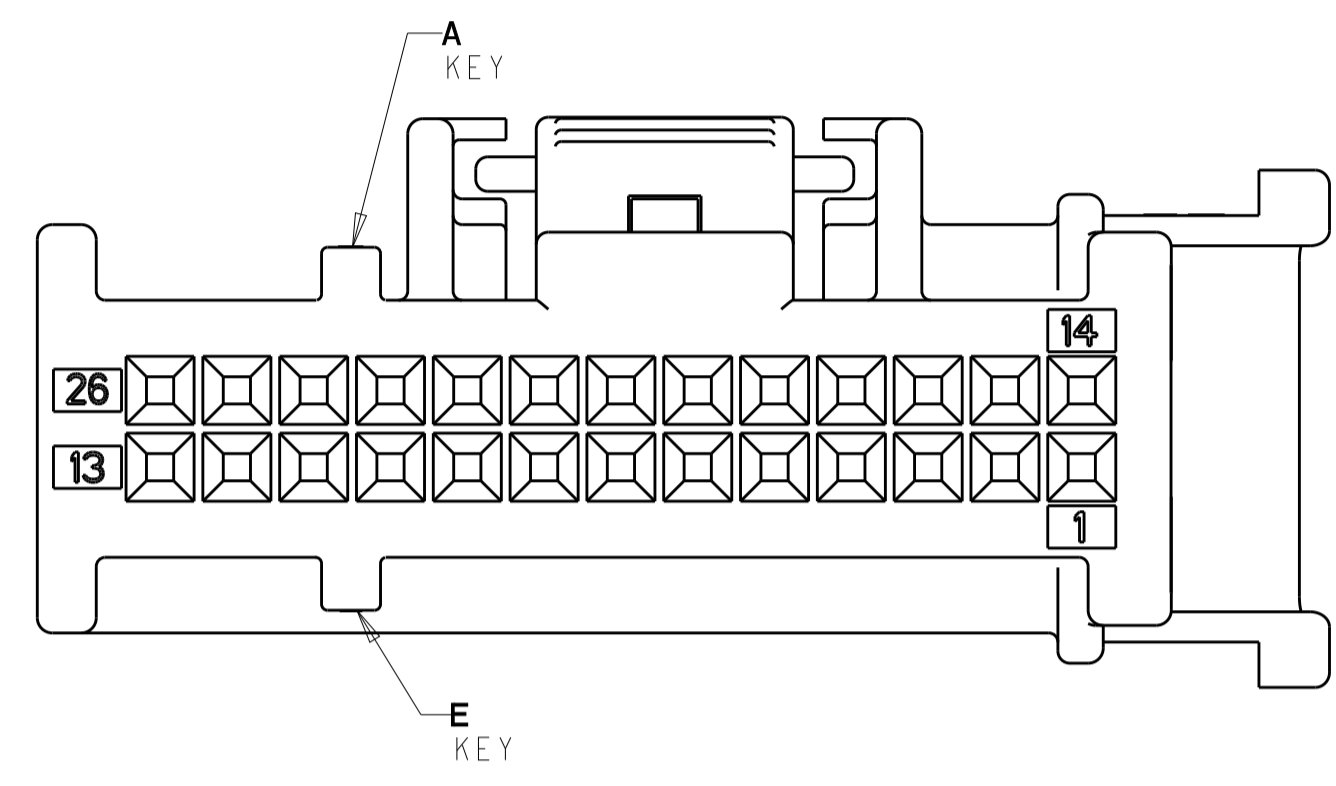
LOC		DIST		REVISIONS			
P	LTN	DESCRIPTION	DATE	OWN	APVD		
-	-	SEE SHEET 1	-	-	-		



DETAIL BF



DETAIL BE



DETAIL AE

THIS DRAWING IS A CONTROLLED DOCUMENT.		OWN R BARKER 17MAR2008	TE Connectivity NAME SHIELD HOUSING, HAND MATE, 26 POSITION, GENERATION Y, 0.64mm LAC
DIMENSIONS:		CHK R HETRICK 17MAR2008	
mm	TOLERANCES UNLESS OTHERWISE SPECIFIED:	APVD R HETRICK 17MAR2008	PRODUCT SPEC
	0 PLC ± 1 PLC ±0.1 2 PLC ±0.05 3 PLC ±0.005 4 PLC ±0.0001 ANGLES ±	APPLICATION SPEC	SIZE CAGE CODE DRAWING NO RESTRICTED TO
MATERIAL	FINISH	WEIGHT	A100779C=1924141
CUSTOMER DRAWING		SCALE 4:1	SHEET 2 OF 2 REV A5

X-ON Electronics

Largest Supplier of Electrical and Electronic Components

Click to view similar products for [Automotive Connectors](#) category:

Click to view products by [TE Connectivity](#) manufacturer:

Other Similar products are found below :

[003-018-000](#) [60403001](#) [60993906-B](#) [M902-2131](#) [M902-2161](#) [72.330.1035.1](#) [73.353.4028.0](#) [F119300-B](#) [F166900](#) [F258300-B](#) [F358300-B](#)
[F407400](#) [F444110](#) [F487000](#) [F509500B-B](#) [827153-1](#) [8N1515-32-24P](#) [9-1326729-8](#) [925474-1](#) [928905-1](#) [964562-4](#) [968782-1](#) [GT17SA-8DS-](#)
[HU](#) [98891-1012](#) [98947-1016](#) [12004147](#) [12004475-L](#) [12010290](#) [12010309-B](#) [12015454](#) [12020219-B](#) [12020308](#) [12041318-B](#) [12052225-L](#)
[12052466](#) [12059125](#) [12064869](#) [12004327-B](#) [12010503-B](#) [12015308](#) [12015384](#) [12015909](#) [1-21030-1](#) [12041254](#) [12041318](#) [12047946-B](#)
[12047957](#) [12047957-L](#) [12059473](#) [12066261](#)