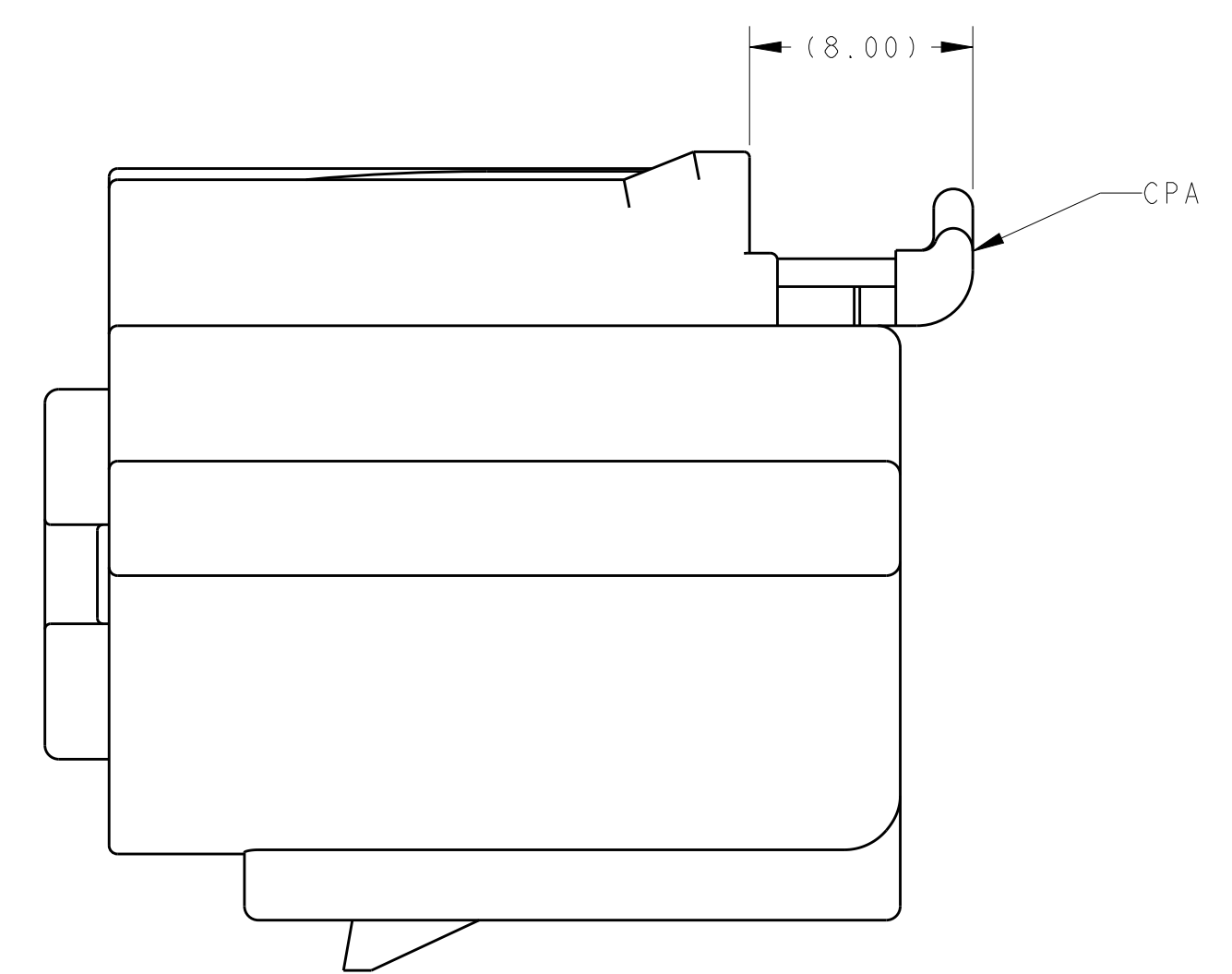
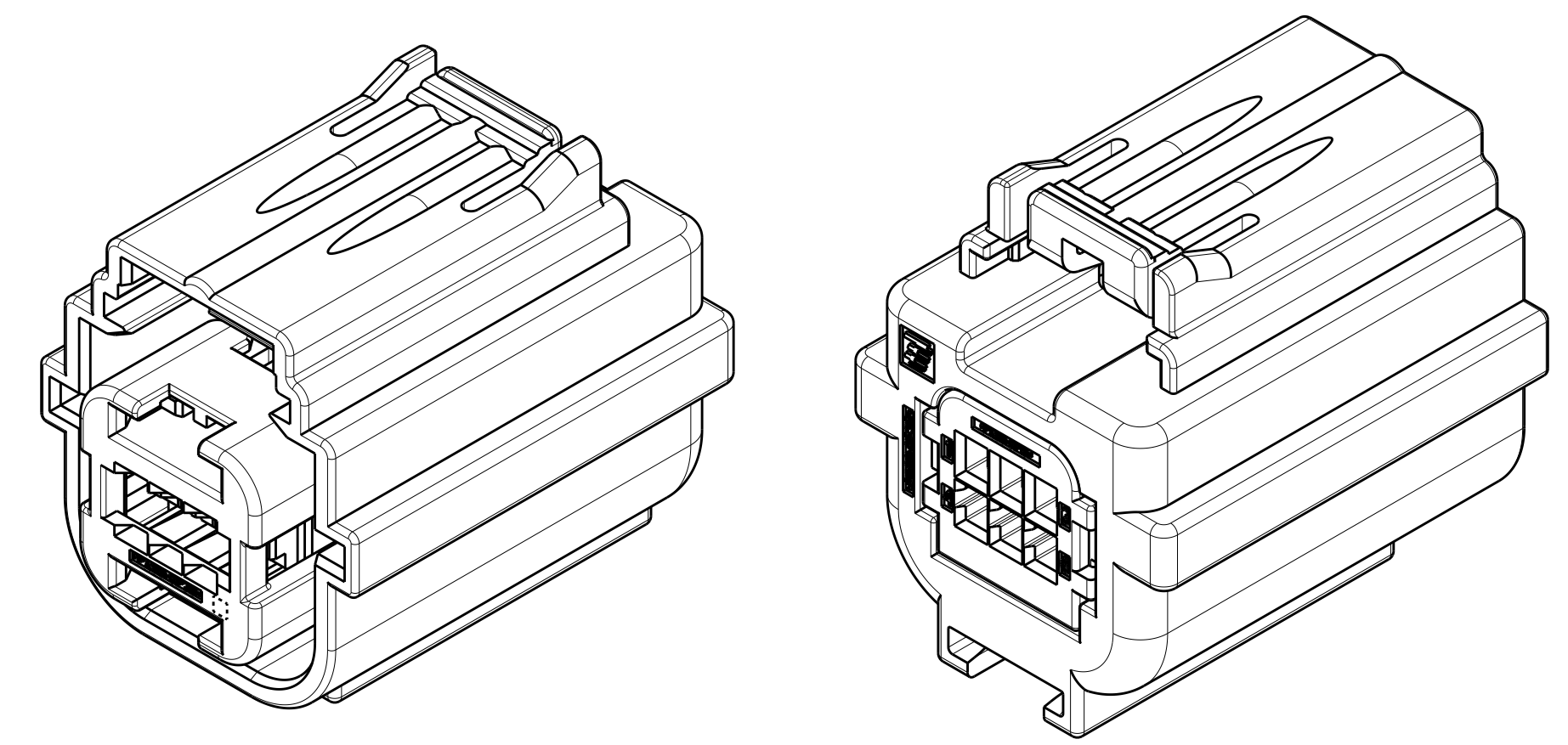


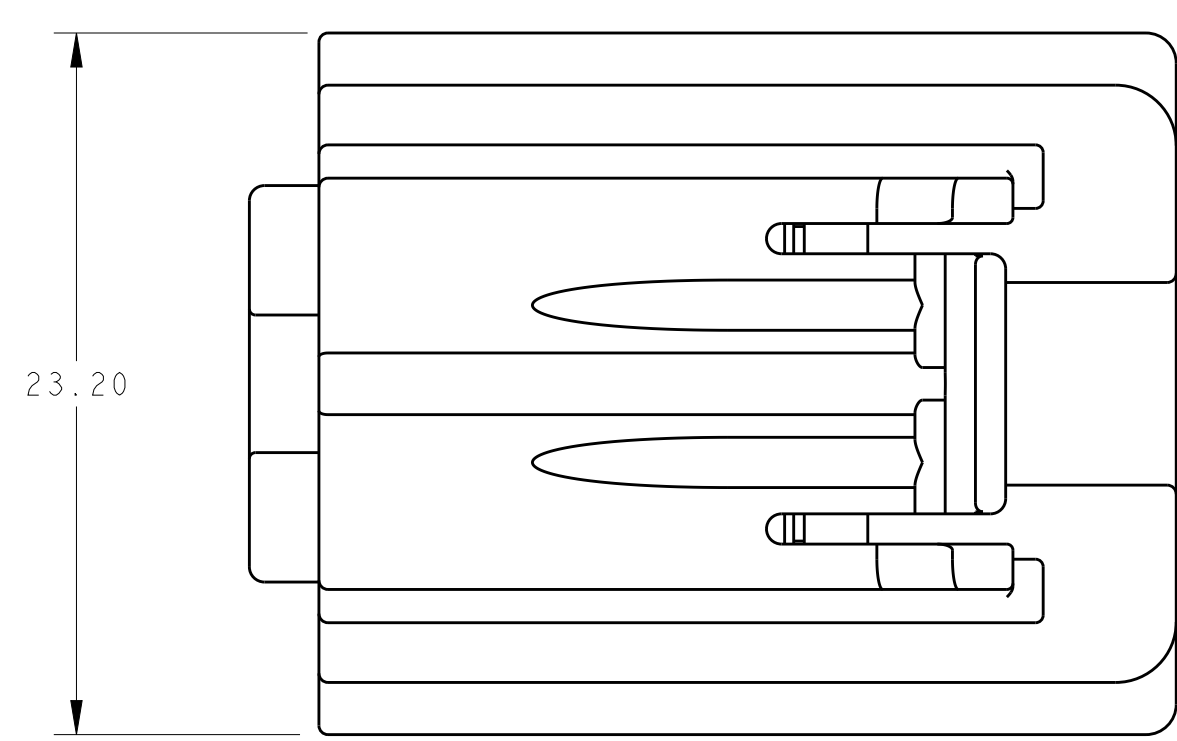
REVISIONS				
P.	LTN.	DESCRIPTION	DATE	APPROV.
B3		REVISED PER ECO-13-006674	23APR2013	DLD CJS
B4		REVISED PER ECO-13-016055	15OCT2013	DLD CJS
B5		REVISED PER ECO-15-015996	05NOV2015	DLD CJS



2-1924211-1  
SCALE 4:1

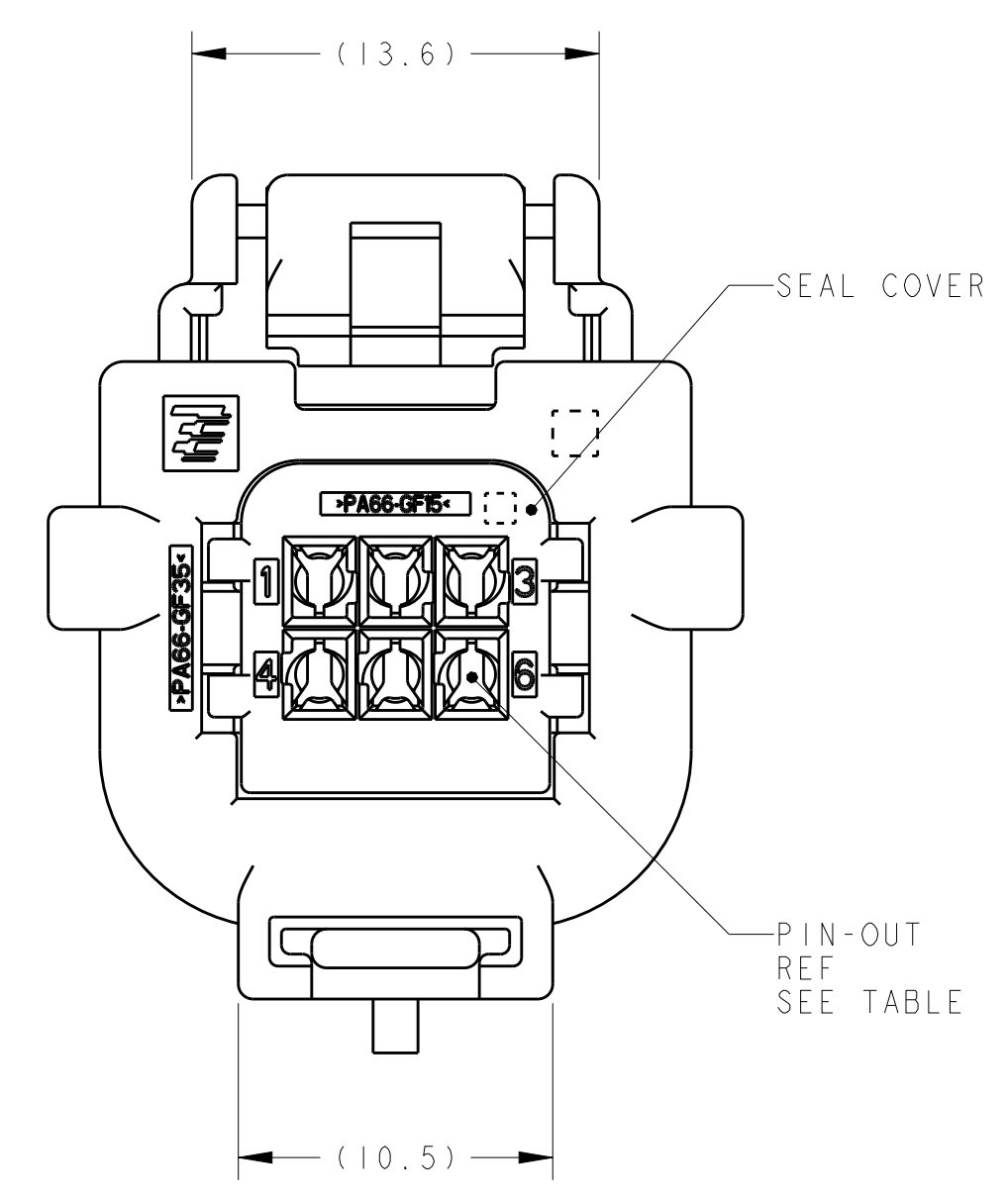
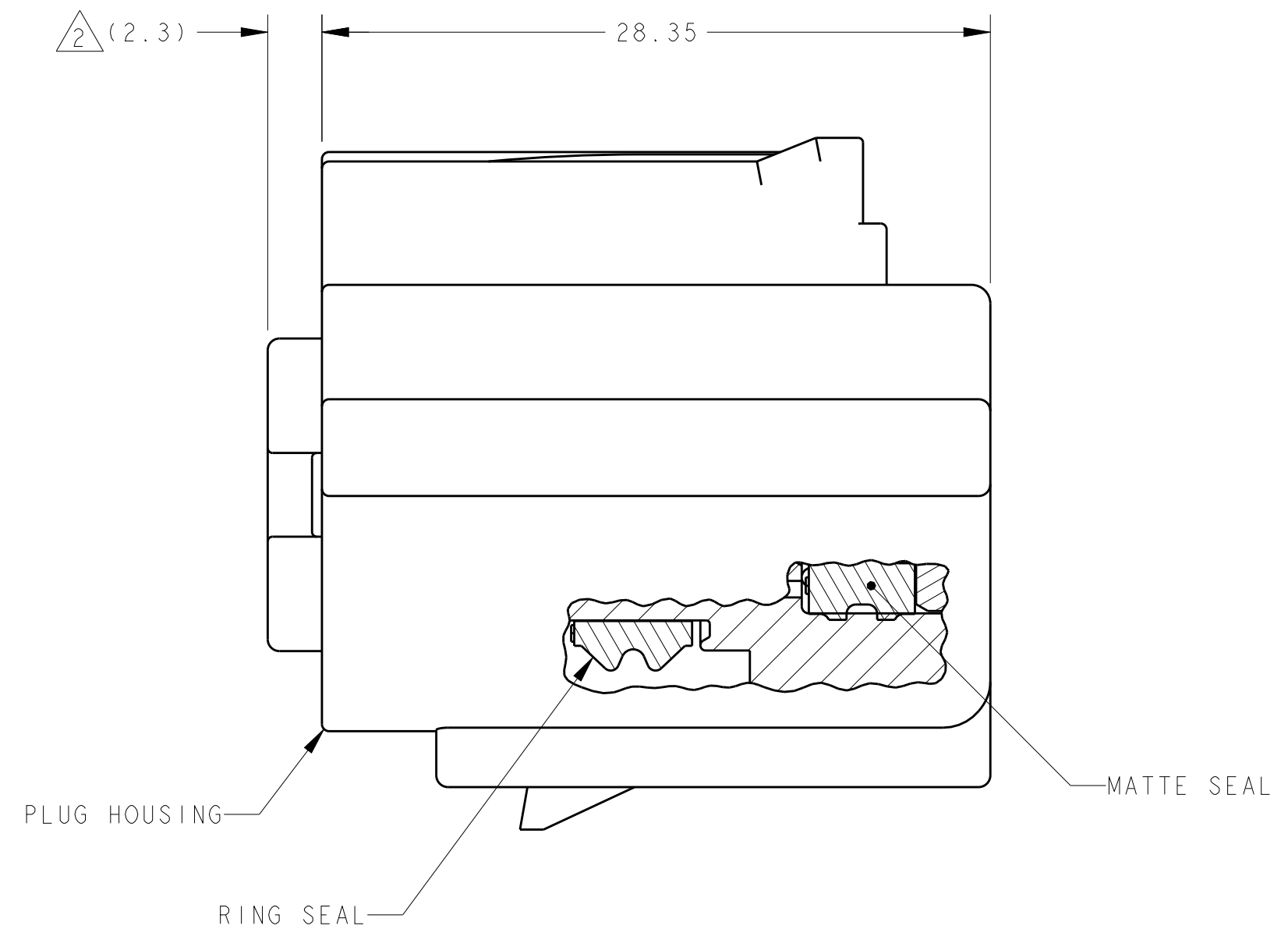
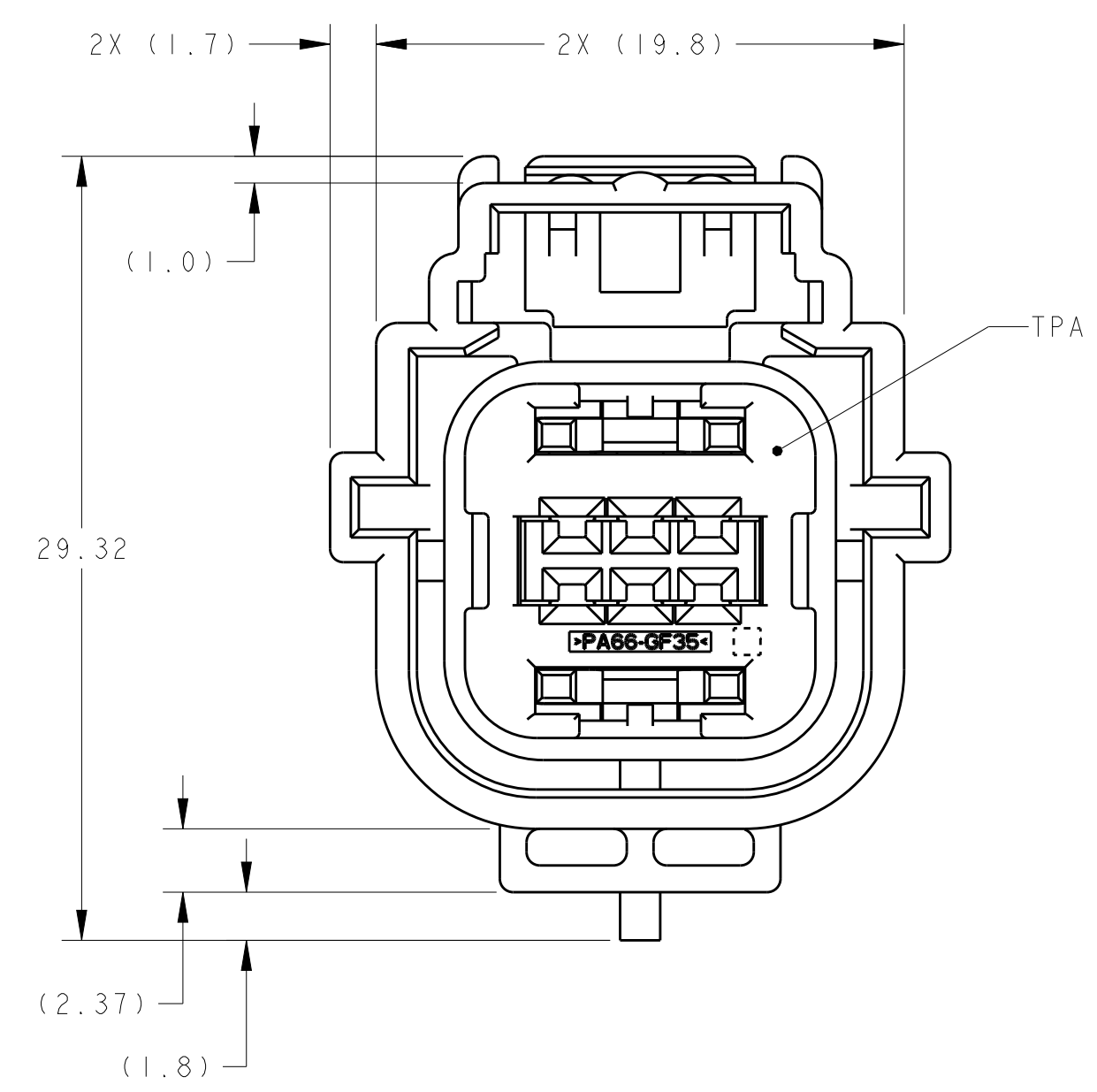


ISOMETRIC VIEWS  
SCALE 3:1



- △ PLUG HOUSING: NYLON 6/6, GRAY.  
RING AND MATTE SEALS: SILICONE, LIGHT BLUE.  
TPA AND SEAL COVER: NYLON 6/6, RED.  
CPA: PBT GF-15, RED
- △ TPA SHOWN IN PRE-LATCHED POSITION.

- 3. PLUG ASSEMBLY WILL ACCEPT TERMINAL PART NUMBERS:  
JST = SAIT-A03T-M064  
YAZAKI = 7116-7276-02  
TE = 2035170
- 4. PARTS HAVE BEEN VALIDATED TO GMW3191, DATED DECEMBER 2007,  
EXCEPT 4.12.1.5.2:  
TPA CLOSING FORCE WITH CORRECT ASSEMBLED TERMINAL TO BE < 35N.  
EXCEPT 4.12.5.5: CPA FORCES TBD
- 5. SEALING CLASS - 3.
- 6. VIBRATION CLASS - 1.
- 7. TEMPERATURE CLASS - 3.
- 8. MATES WITH PART NUMBER 1924212.



O	O	O	O	O	O	Y	B	2-1924211-1
O	O	X	O	O	O	N	B	1924211-6
O	O	O	O	X	O	N	B	1924211-3
X	X	X	X	X	X	N	B	1924211-2
O	O	O	O	O	O	N	B	1924211-1
CIR 1	CIR 2	CIR 3	CIR 4	CIR 5	CIR 6	CPA	CODING REF	PART NUMBER
PIN-OUT								
O = OPEN CIRCUIT; X = CLOSED CIRCUIT								

THIS DRAWING IS A CONTROLLED DOCUMENT. DWG: D.J. HARDY 26MAR2007  
 CHK: E.C. BRANDBERG 25JUN2007  
 APVD: E.C. BRANDBERG 25JUN2007

**STE** TE Connectivity

NAME: PLUG ASSEMBLY, 6 POSITION, 2x3, SEALED, 0.64mm

SIZE: A1 CAGE CODE: 100779 DRAWING NO: 1924211

MATERIAL: - FINISH: - WEIGHT: - RESTRICTED TO: -

Customer Drawing SCALE: 4:1 SHEET: 1 OF 1 REV: B5

## X-ON Electronics

Largest Supplier of Electrical and Electronic Components

*Click to view similar products for [Automotive Connectors](#) category:*

*Click to view products by [TE Connectivity](#) manufacturer:*

Other Similar products are found below :

[003-018-000](#) [600858](#) [60403001](#) [60993906-B](#) [60993913-B](#) [629515004020001](#) [M902-2131](#) [M902-2161](#) [M902-2344](#) [72.330.1035.1](#)  
[73.353.4028.0](#) [F118010](#) [F119300-B](#) [F132210](#) [F132210-B](#) [F166900](#) [F180100](#) [F258300](#) [F258300-B](#) [F294300-B](#) [F339100](#) [F339700](#) [F358300-](#)  
[B](#) [F374110](#) [F407400](#) [F412210](#) [F427600](#) [F444110](#) [F487000](#) [F495100-B](#) [F500900-B](#) [F509500B-B](#) [770444-1](#) [776880-1](#) [827153-1](#) [881735-1](#)  
[8N1515-32-24P](#) [9-1326727-8](#) [9-1326729-8](#) [925467-1](#) [925474-1](#) [928905-1](#) [936398-2](#) [964562-1](#) [964562-4](#) [964731-2](#) [965051-1](#) [968782-1](#)  
[GT17SA-8DS-HU](#) [GT17VS-10DP-5.2CF](#)