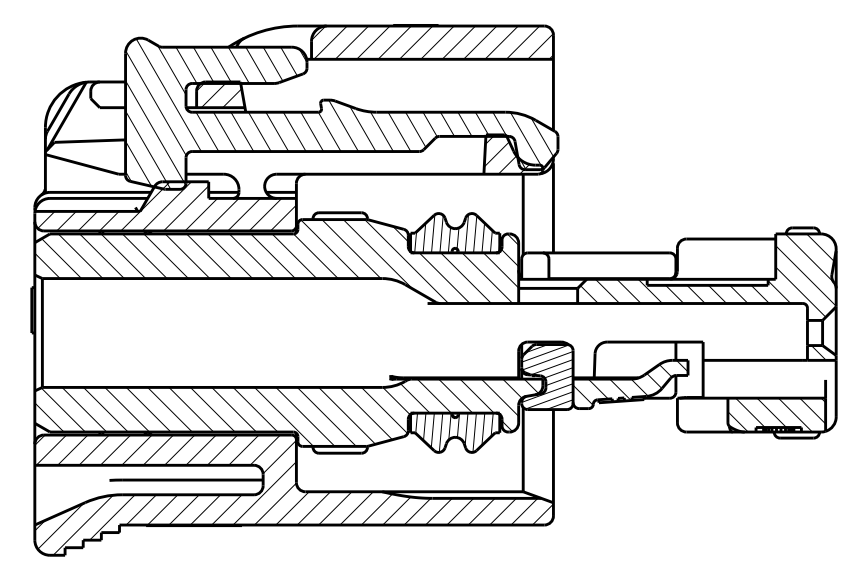
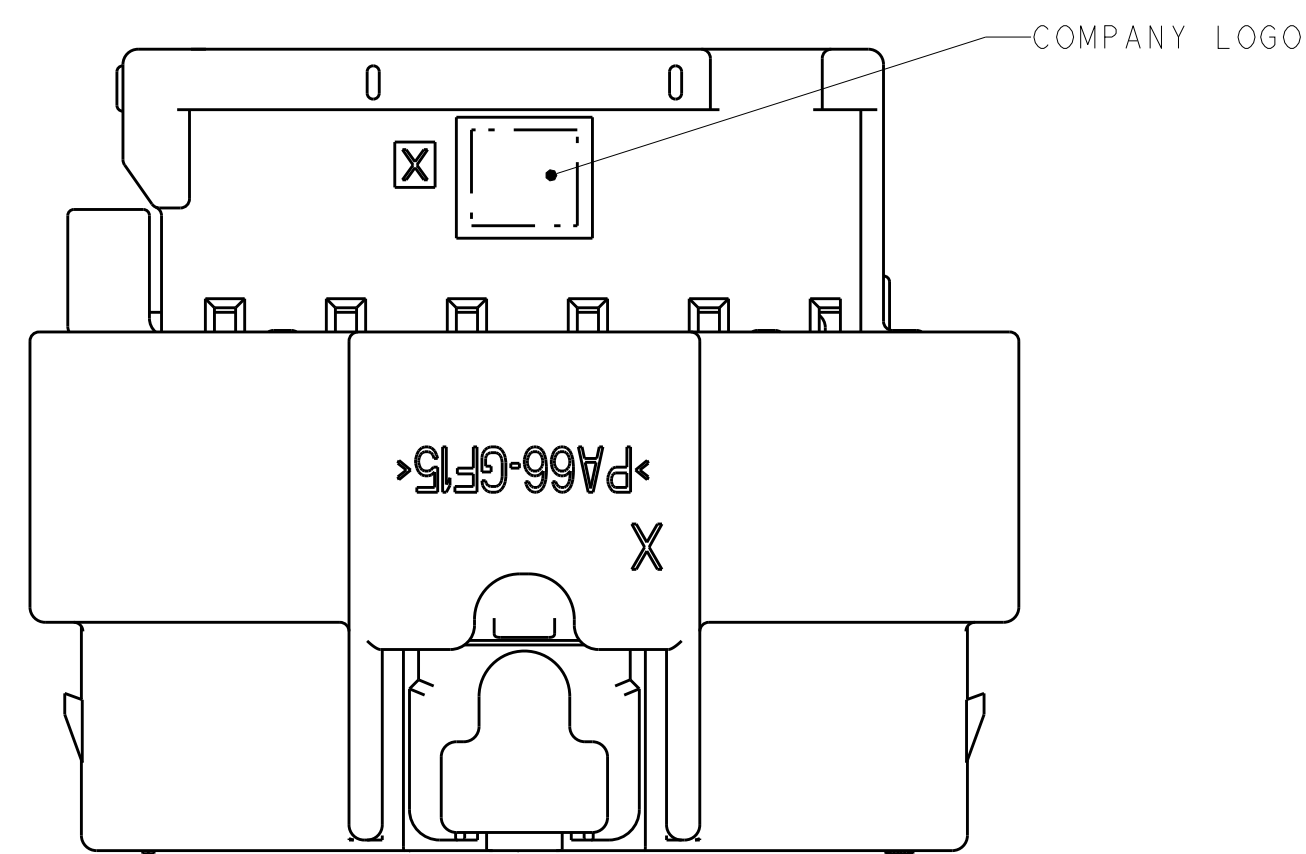
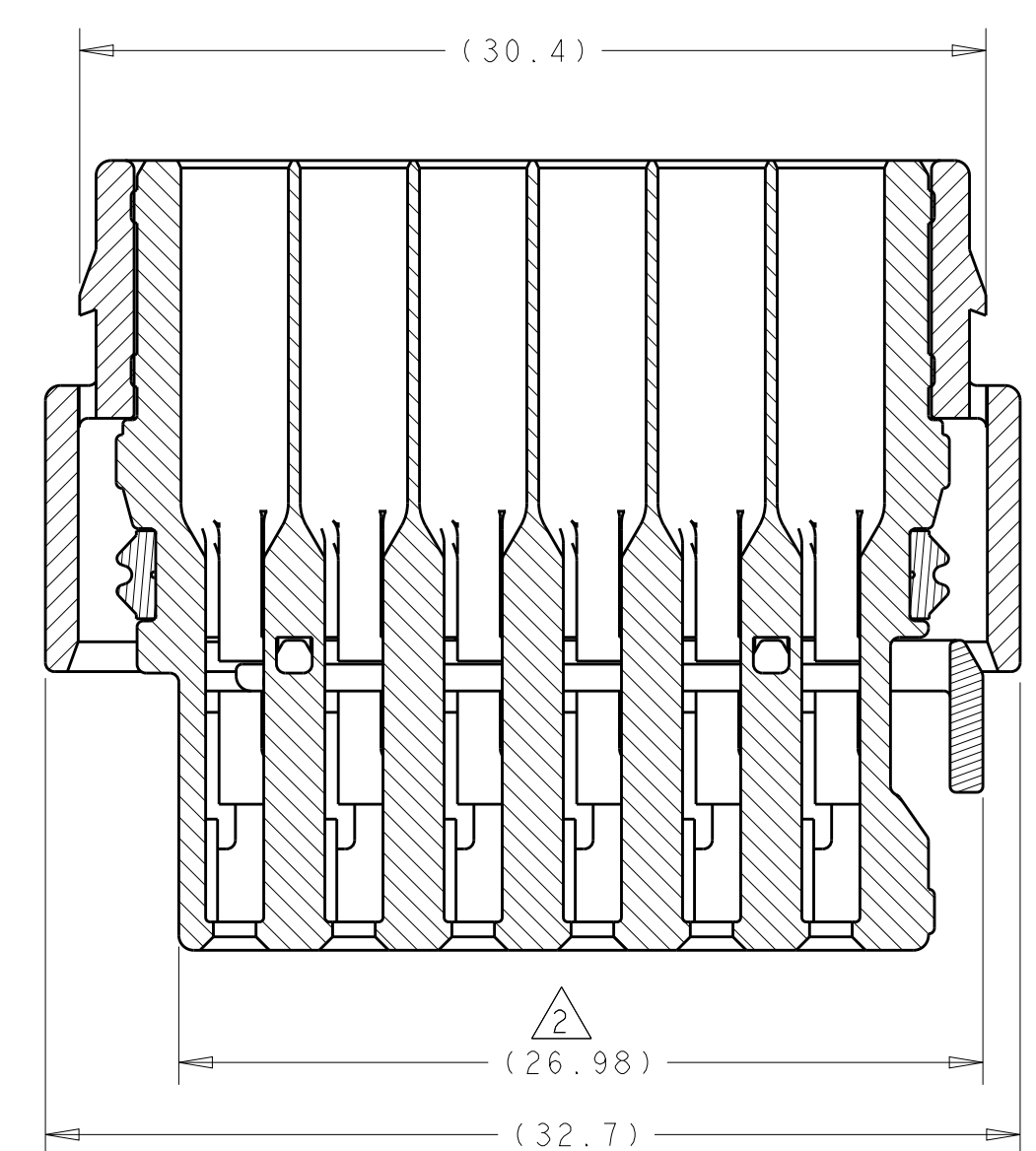


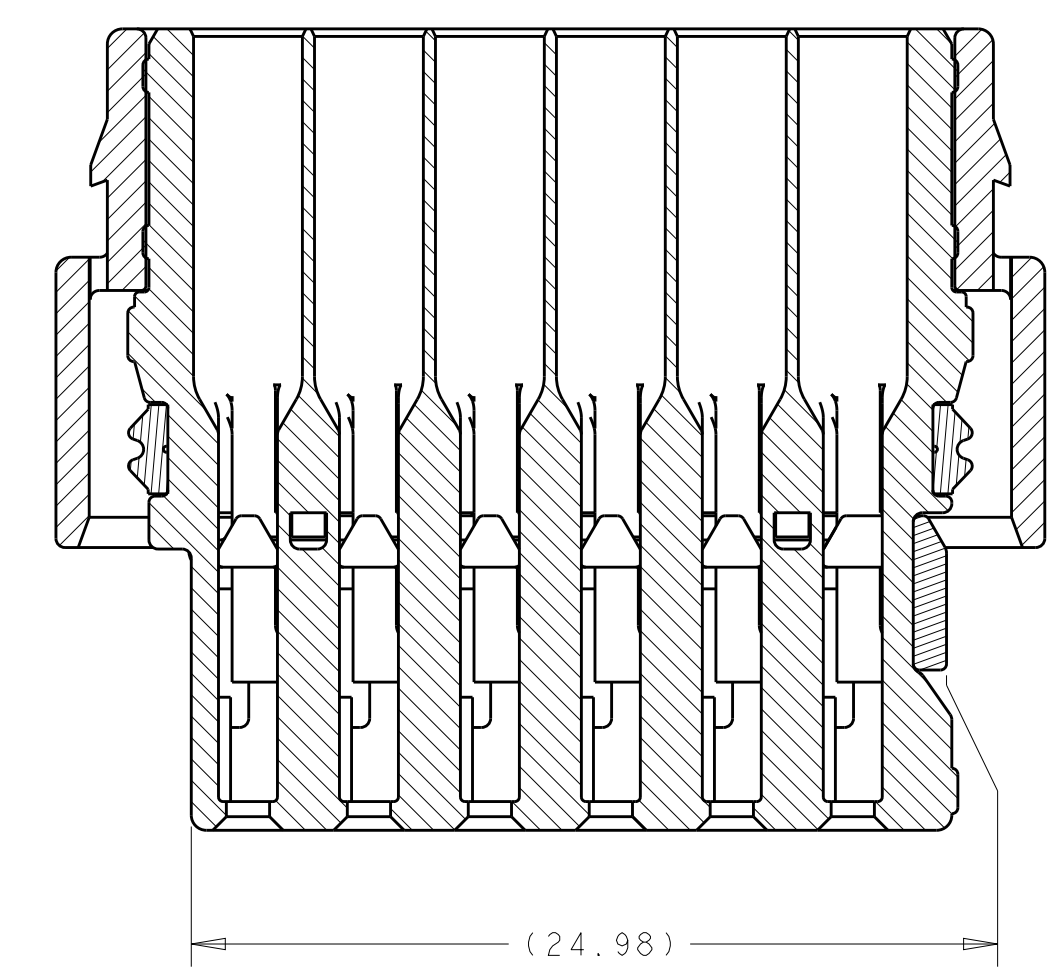
| REVISIONS | | | | |
|-----------|------|---------------------------|-----------|------------|
| P. | LTN. | DESCRIPTION | DATE | DWN. APVD. |
| B1 | | REVISED PER ECO-12-011352 | 20JUN2012 | DLD SLM |
| B2 | | REVISED PER ECO-14-014610 | 26SEP2014 | DLD SLM |



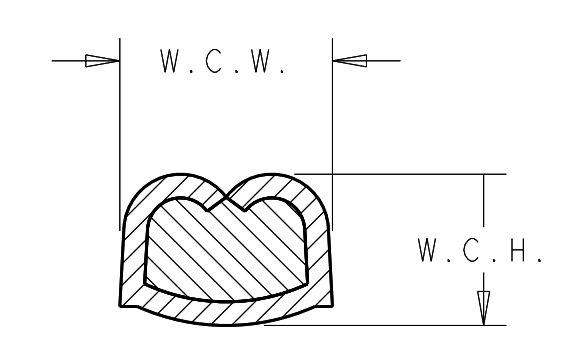
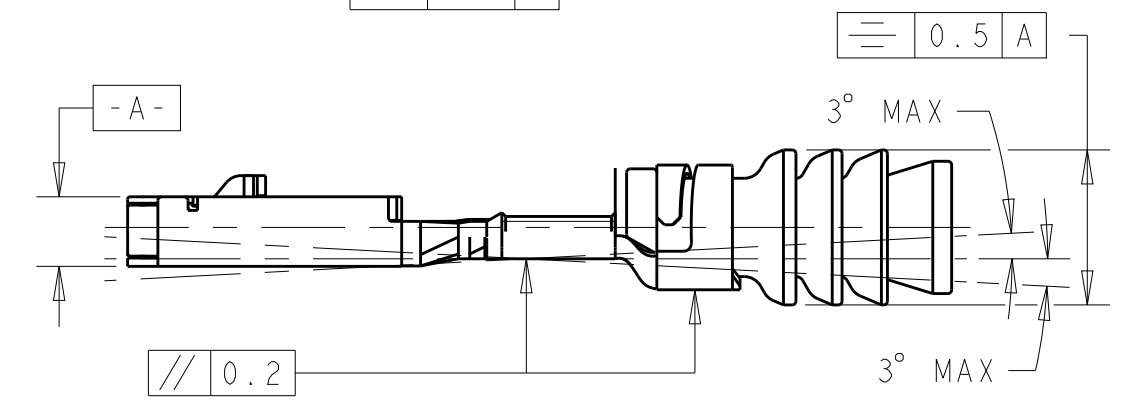
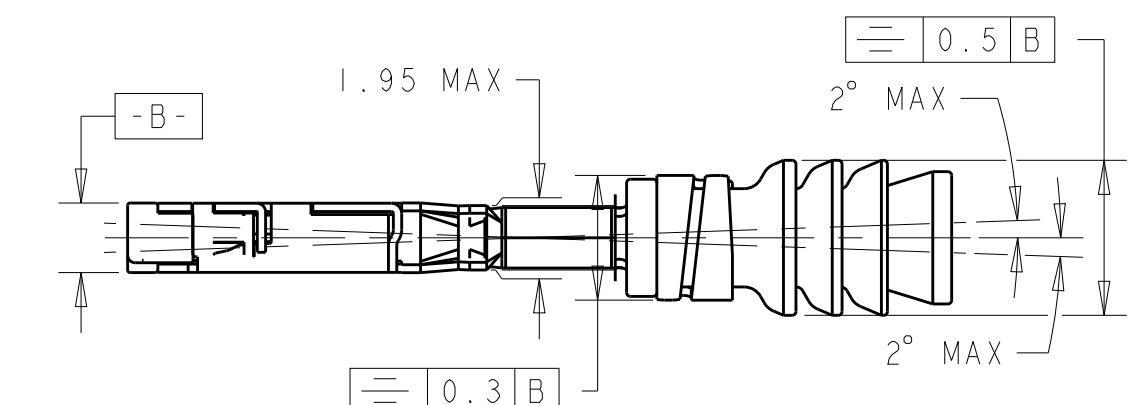
SECTION B-B
 SHOWN WITH CPA (WHEN APPLICABLE)
 IN IT'S LATCHED POSITION
 FOR REFERENCE ONLY



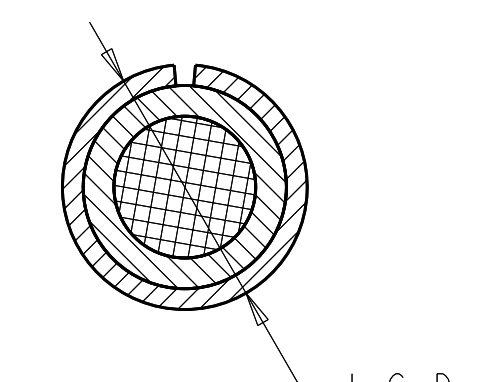
SECTION A-A



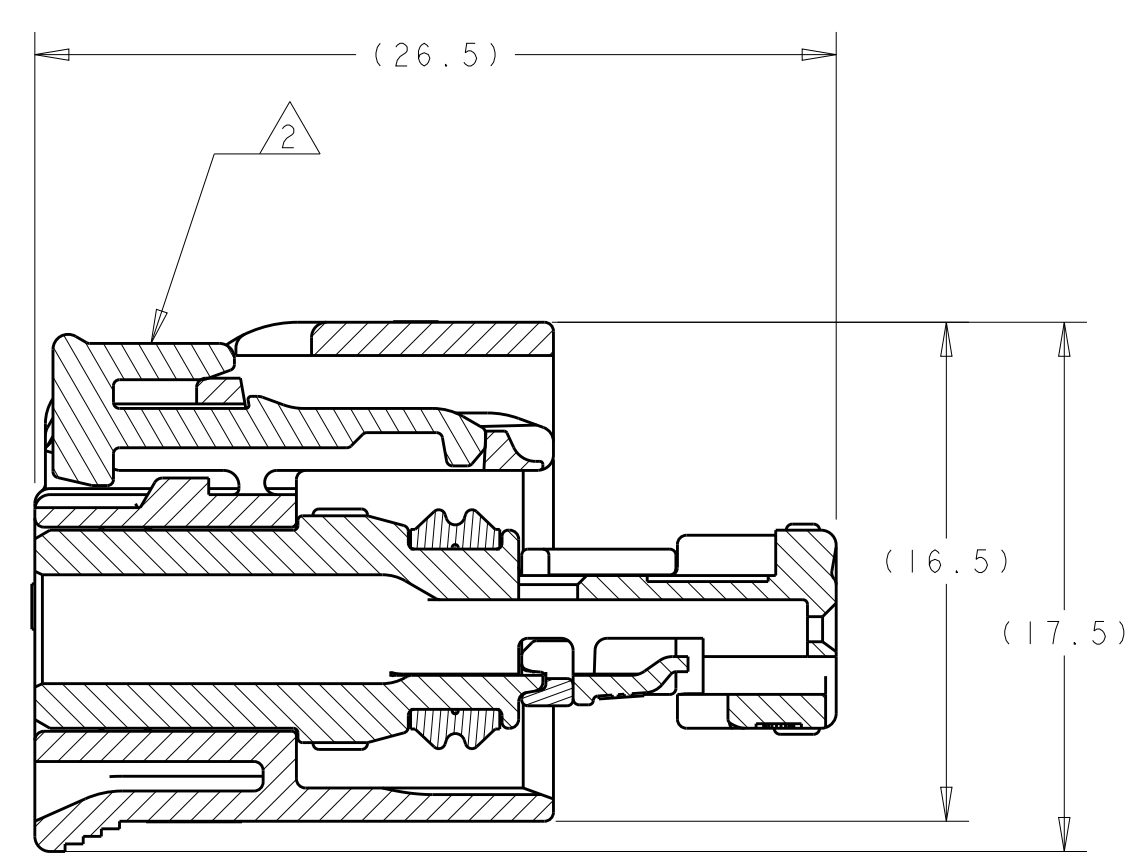
SECTION A-A
 SHOWN WITH TPA
 IN IT'S LATCHED POSITION
 FOR REFERENCE ONLY



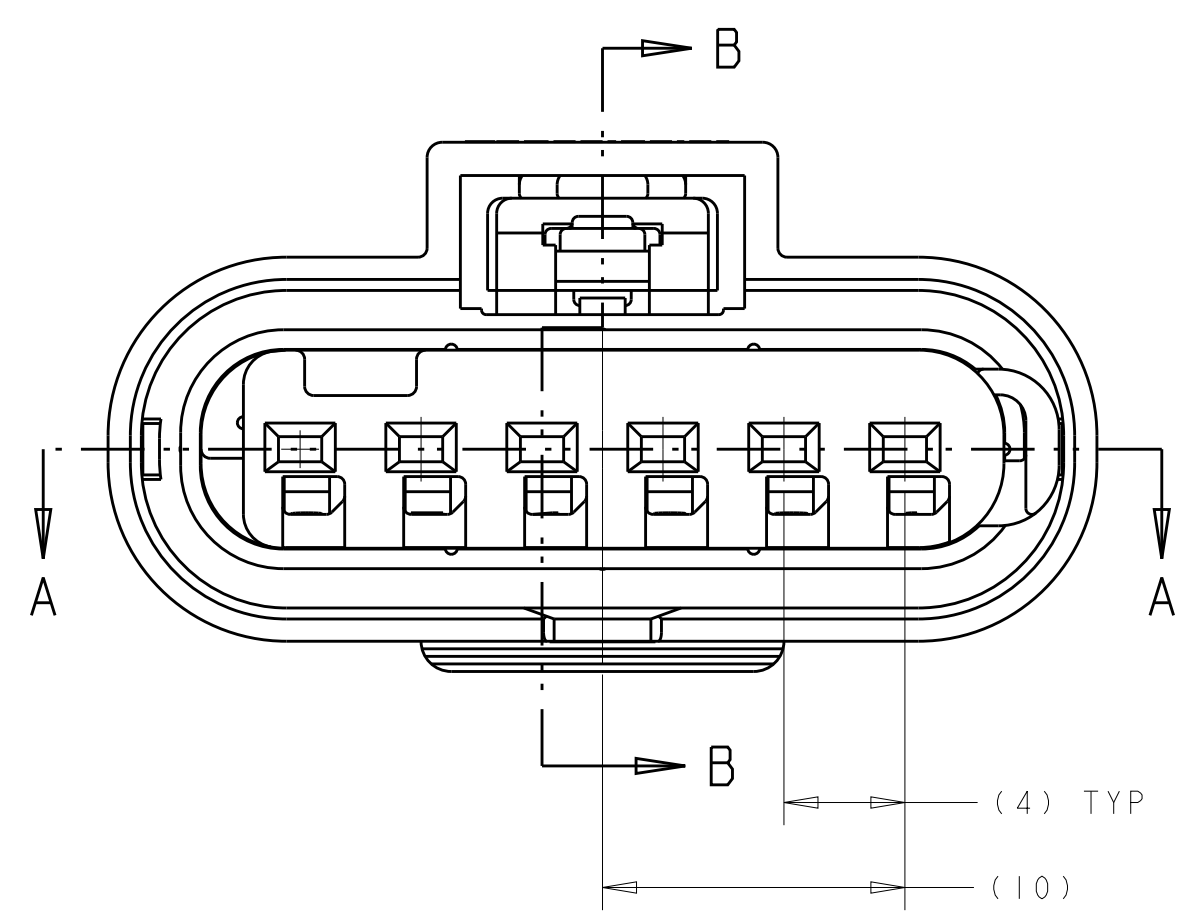
WIRE CRIMP
 DIMENSIONS



INSULATION CRIMP
 DIMENSIONS

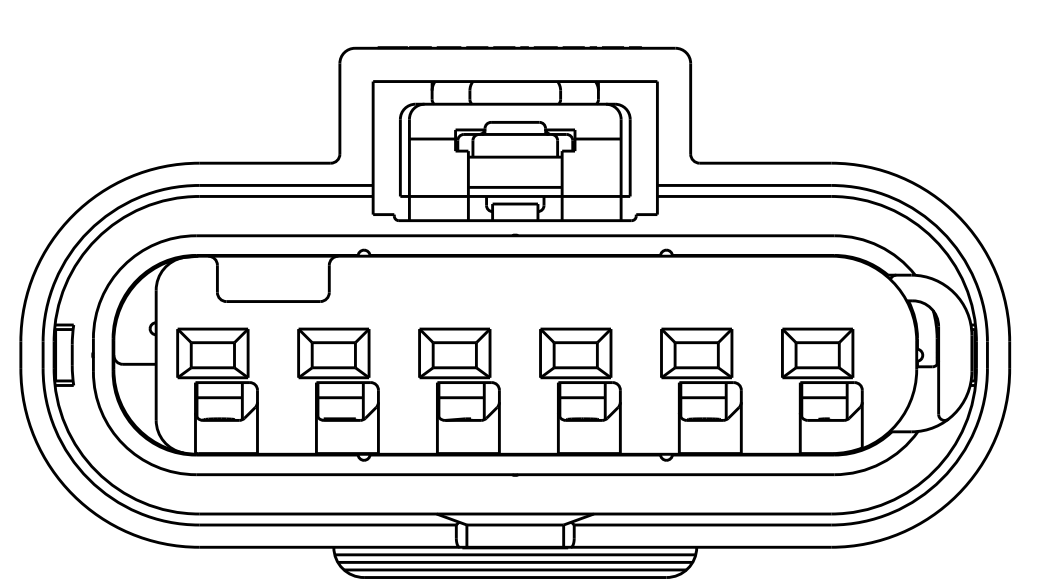


SECTION B-B

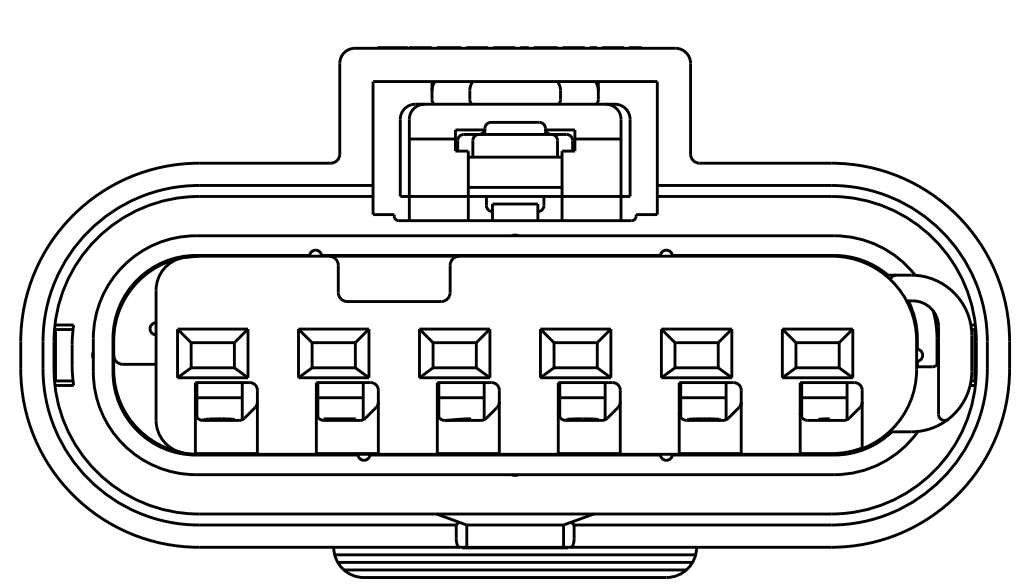


| TE MCON 1.2-CB (CLEAN BODY) | | | | | | | | |
|-----------------------------|---------|-------------------|-----|------------------|------------|---------------|-----------|-----------------------|
| 1670146-3 | SILVER | 3.6 ±0.3 | 20 | 1.4 TO 1.9 | 0.84 ±0.03 | 1.57 ±0.05 | 3.25±0.05 | 967067-1 |
| 1670146-2 | GOLD | | | | | | | |
| 1670146-1 | TIN | | | | | | | |
| 1418850-3 | SILVER | 3.6 ±0.3 | 18 | 1.9 TO 2.4 | 1.11 ±0.05 | 1.78 ±0.05 | 3.35±0.05 | 964972-1 |
| 1418850-2 | GOLD | | | | | | | |
| 1418850-1 | TIN | | | | | | | |
| PART NUMBER | PLATING | WIRE STRIP LENGTH | AWG | INSL. RANGE | W.C.H. | W.C.W. | I.C.D. | WIRE SEAL PART NUMBER |

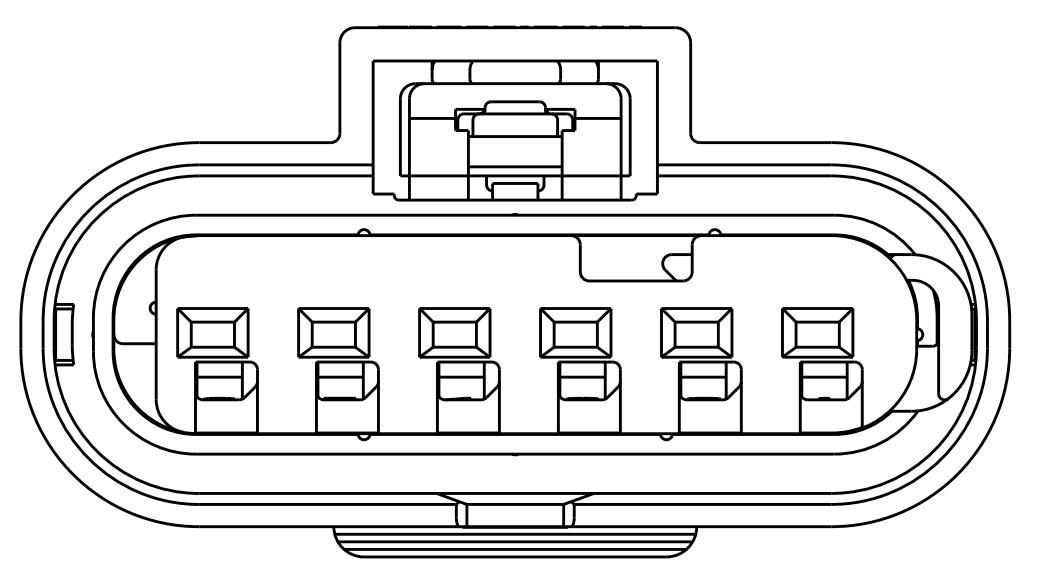
KEYING CONFIGURATIONS



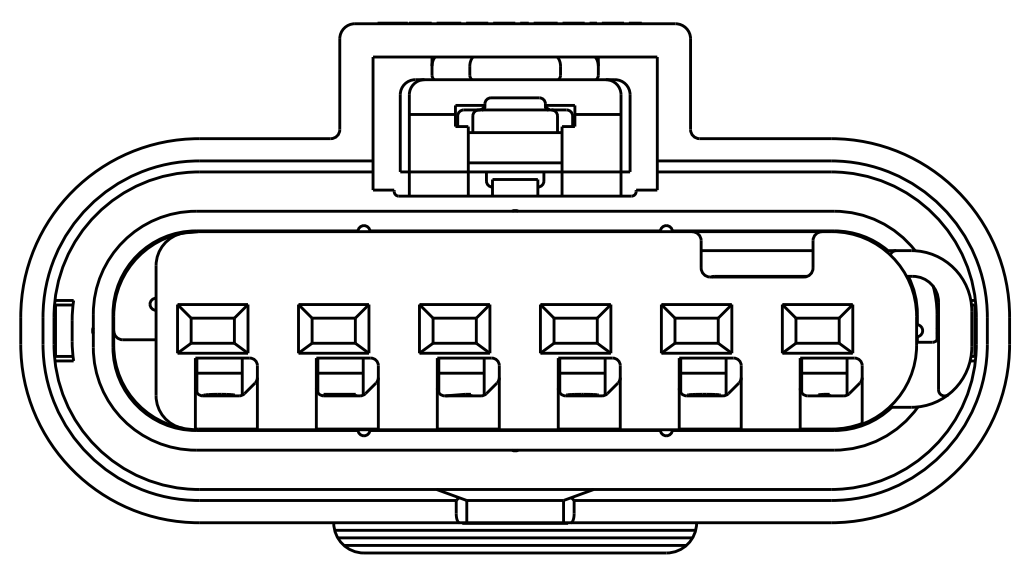
KEYING OPTION A



KEYING OPTION B

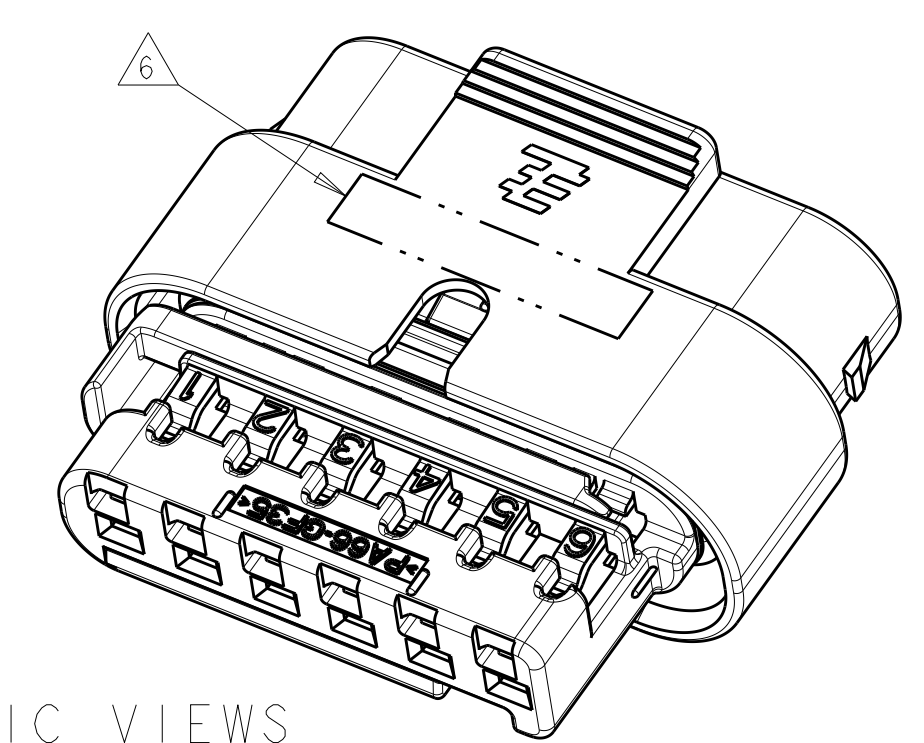
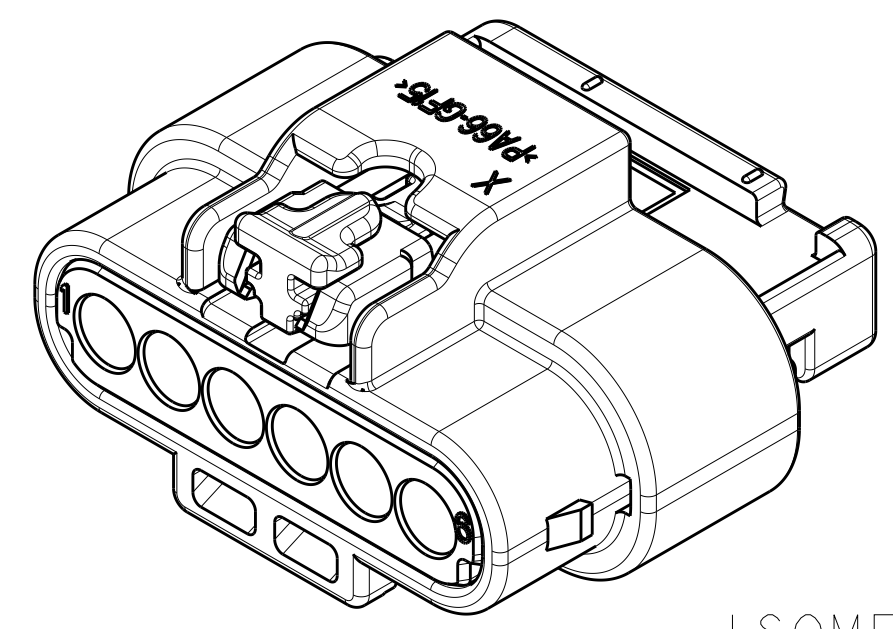


KEYING OPTION C



KEYING OPTION D

- PART NUMBER 1924292-5 SHOWN ON DRAWING.
- TPA AND CPA (WHEN APPLICABLE) ARE SHIPPED IN THEIR PRE-LATCHED POSITIONS. SEE INSTRUCTION SHEET 408-8968 FOR DIRECTIONS ON MOVING THE CPA AND TPA TO THE PRE-LATCHED POSITION, IF NECESSARY.
- TERMINALS SOLD SEPARATELY. FOR USE WITH TE MCON 1.2mm CLEAN BODY CONTACT WITH WIRE SEAL. SEE TE MCON 1.2-CB (CLEAN BODY) TABLE FOR APPLICABLE PART NUMBERS.
- APPLICABLE HEADER INTERFACE DRAWING 114-18679-3 IS AVAILABLE UPON REQUEST. A COPY OF THIS DRAWING CAN BE OBTAINED FROM THE TYCO ELECTRONICS PRODUCT MANAGER, VIA YOUR TYCO ELECTRONICS SALES REPRESENTATIVE OR CUSTOMER SERVICE.
- MINIMUM FEED THROUGH CONDITION WITH 1.0mm CLEARANCE ALL AROUND.
- TRACEABILITY CODE (YY = TWO DIGIT YEAR, JJJ = 3 DIGIT JULIAN DAY, S = 1 DIGIT SHIFT) AND TYCO ELECTRONICS ASSEMBLY PART NUMBER PRINTED IN THIS LOCATION AT ASSEMBLY.
- FOR OPTIONAL TERMINAL CAVITY BLOCKING, USE TE BLIND PLUG PART NUMBER: 967056-1.
- VALIDATED UP TO USCAR TEMPERATURE CLASS III.
- TPA ENGAGE FORCE: PRESET TO FULL >= 3 N AND <= 60 N.
- TPA DISENGAGE FORCE: DISENGAGE FROM FULL TO PRESET >= 6 N AND <= 60 N.
- CPA ENGAGE FORCE: PRESET TO FULL WITHOUT CONNECTORS MATED >= 40 N.
- CPA ENGAGE FORCE: PRESET TO FULL WITH CONNECTORS MATED < 30 N.
- POLARIZATION FEATURE EFFECTIVENESS: CONNECTOR MATED TURNED 180° NO MATING > 150 N. WRONG KEYING NO MATING > 150 N.
- SEE INSTRUCTION SHEET 408-8928
- TERMINAL 1670146-X REPLACES 1418847-X
- REFERENCE ISOMETRIC VIEWS ON SHEET 2.



ISOMETRIC VIEWS
 SCALE 3:1

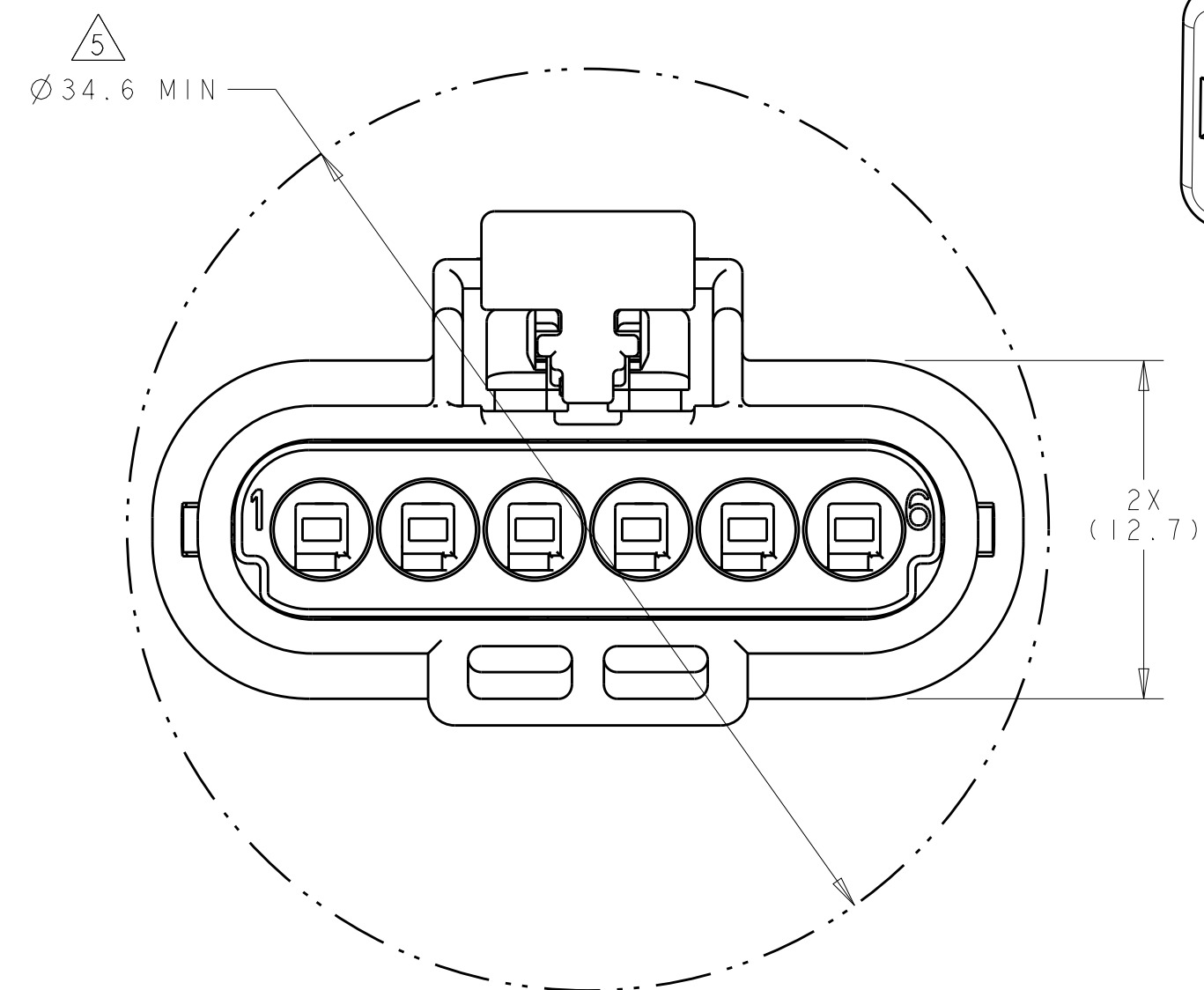
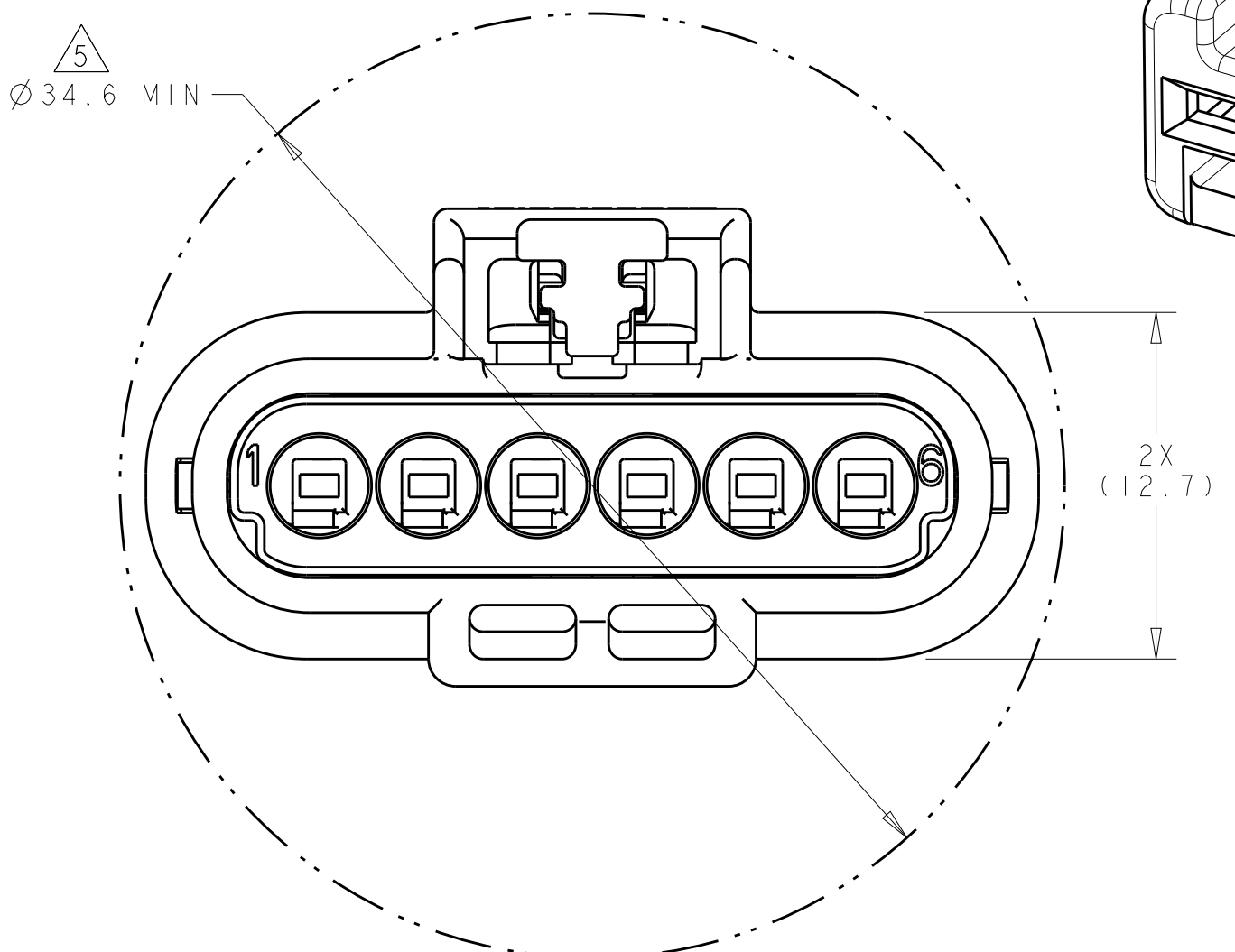
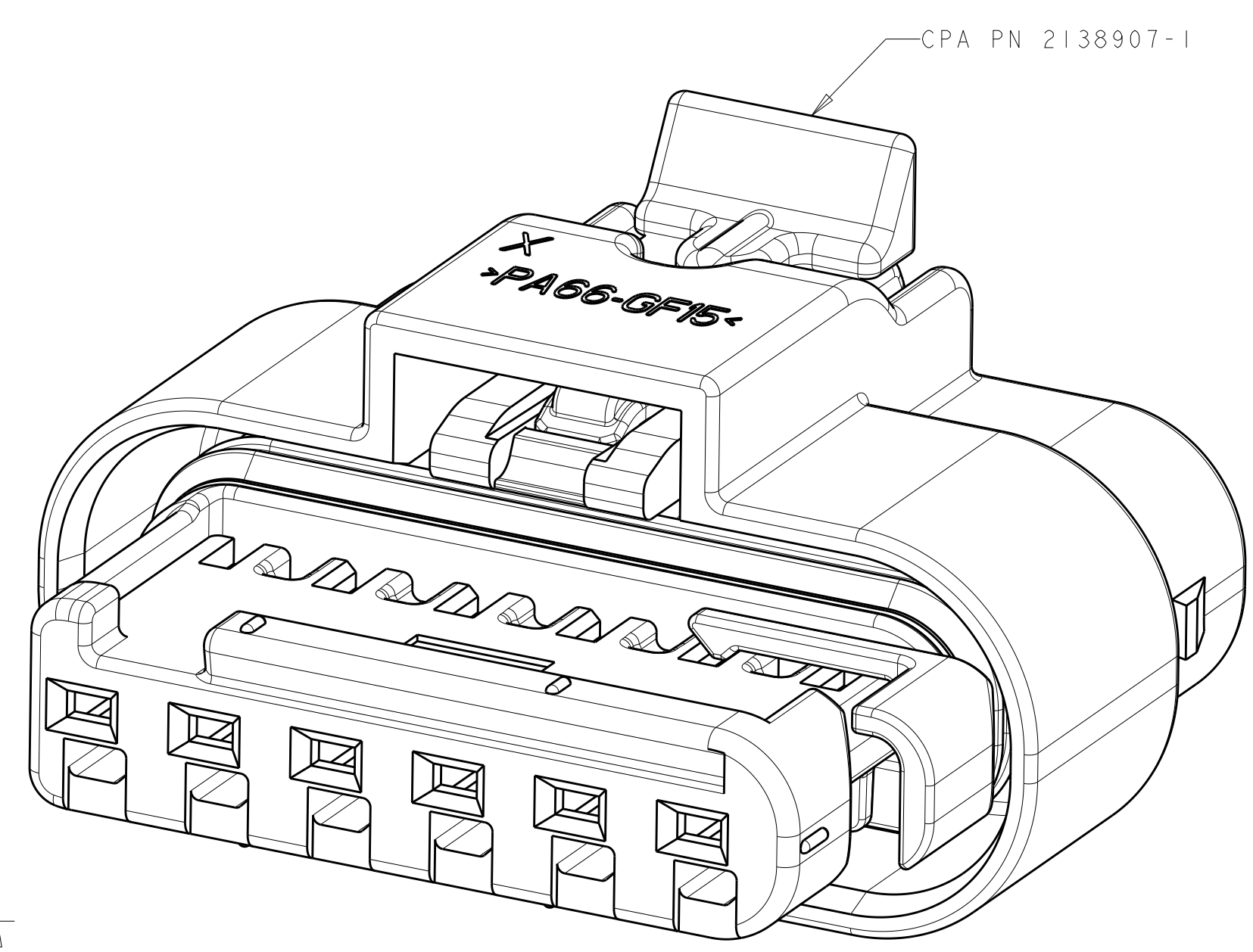
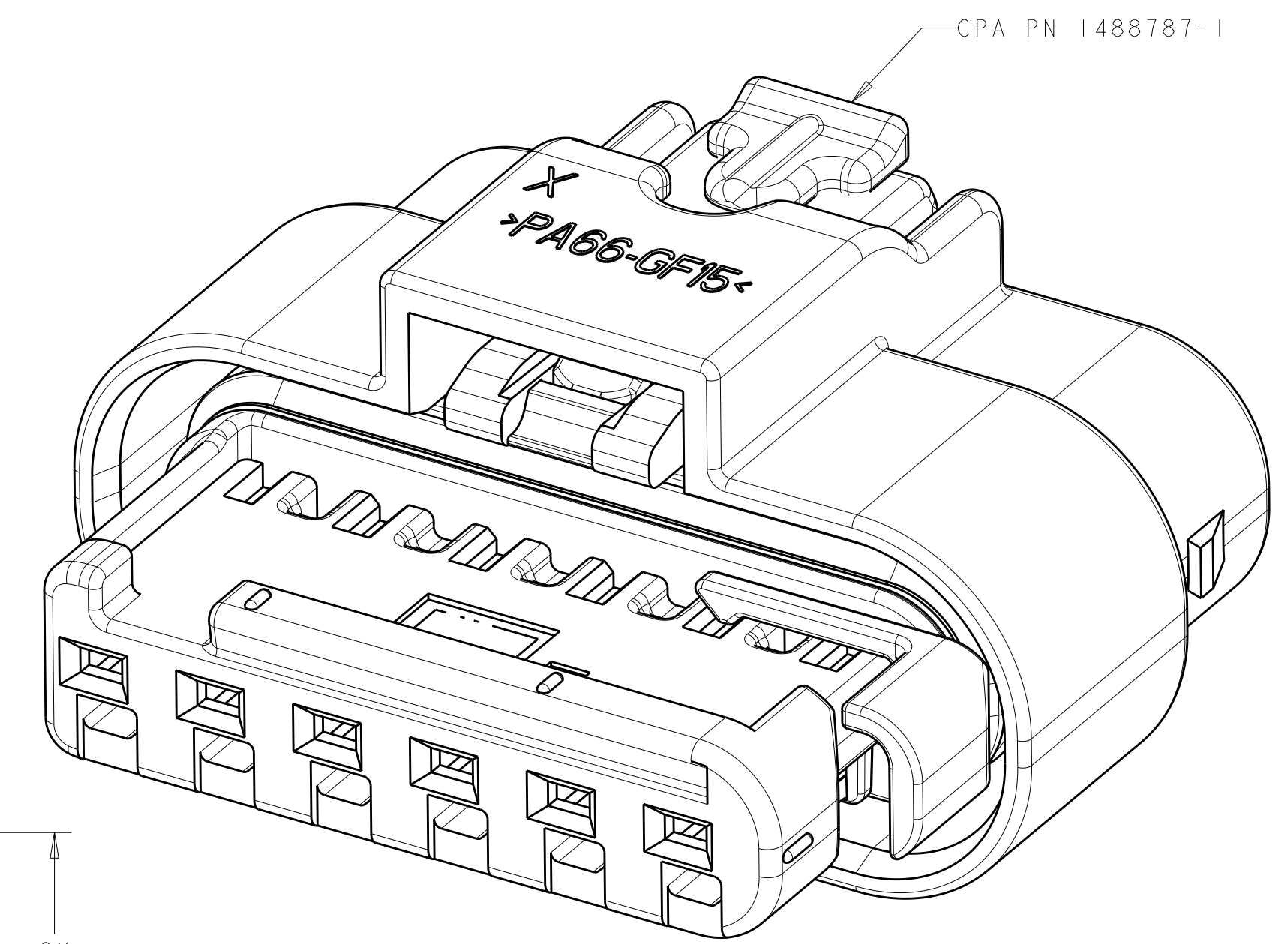
| | | | | |
|----------|-----------|---------------|-------------|-------------|
| RELEASED | 2138907-1 | GRAY | D | 4-1924292-4 |
| RELEASED | 2138907-1 | BLUE | C | 4-1924292-3 |
| RELEASED | 2138907-1 | NATURAL | B | 4-1924292-2 |
| RELEASED | 1488787-1 | GRAY | D | 1924292-8 |
| | | BLUE | C | 1924292-7 |
| | | NATURAL | B | 1924292-6 |
| | | BLACK | A | 1924292-5 |
| RELEASED | N/A | GRAY | D | 1924292-4 |
| | | BLUE | C | 1924292-3 |
| | | NATURAL | B | 1924292-2 |
| | | BLACK | A | 1924292-1 |
| STATUS | CPA | INNER HOUSING | PART NUMBER | |

THIS DRAWING IS A CONTROLLED DOCUMENT. OWN: M. HITCHCOCK, 6 JAN 2007. CHK: G. MARTIN, 16 JAN 2007. APVD: G. MARTIN, 16 JAN 2007. NAME: G. MARTIN. PRODUCT SPEC: -. APPLICATION SPEC: -. SEE NOTES. MATERIAL: -. FINISH: -. WEIGHT: 5.53 grams. CUSTOMER DRAWING. SCALE: 4:1. SHEET 1 OF 2. REV B2.

STE TE Connectivity
 CONNECTOR ASSEMBLY,
 FEMALE, 6 POSITION SEALED,
 1.2mm MCON

| REVISIONS | | | | |
|-----------|------|-------------|------|------------|
| P. | LTN. | DESCRIPTION | DATE | OWN. APVD. |
| - | - | SEE SHEET 1 | - | - |
| | | | | |
| | | | | |

ISOMETRIC VIEWS



P/N 1924292-5 SHOWN
SCALE 6:1

P/N 4-1924292-1 SHOWN
SCALE 6:1

FEED THROUGH CONDITION

FEED THROUGH CONDITION

| | | | |
|--|------------|-------------------------------|---|
| THIS DRAWING IS A CONTROLLED DOCUMENT. | | OWN: M. HITCHCOCK 16 JAN 2007 | |
| DIMENSIONS: mm | | CHK: G. MARTIN 16 JAN 2007 | |
| TOLERANCES UNLESS OTHERWISE SPECIFIED: | | APVD: G. MARTIN 16 JAN 2007 | NAME: CONNECTOR ASSEMBLY, FEMALE, 6 POSITION SEALED, 1.2mm MCON |
| 0 PLC ± | 1 PLC ±0.3 | PRODUCT SPEC | SIZE: CAGE CODE DRAWING NO. RESTRICTED TO |
| 2 PLC ±0.10 | 3 PLC ± | APPLICATION SPEC | SCALE 4:1 SHEET 2 OF 2 REV B2 |
| 4 PLC ± | ANGLES ± | SEE NOTES | |
| MATERIAL: SEE TABLE | FINISH: - | WEIGHT: 5.53 grams | A100779C=1924292 |
| | | CUSTOMER DRAWING | |

X-ON Electronics

Largest Supplier of Electrical and Electronic Components

Click to view similar products for [Automotive Connectors](#) category:

Click to view products by [TE Connectivity](#) manufacturer:

Other Similar products are found below :

[003-018-000](#) [60403001](#) [60993906-B](#) [M902-2131](#) [M902-2161](#) [M902-2344](#) [72.330.1035.1](#) [73.353.4028.0](#) [F119300-B](#) [F166900](#) [F258300-B](#)
[F358300-B](#) [F407400](#) [F444110](#) [F487000](#) [F509500B-B](#) [827153-1](#) [8N1515-32-24P](#) [9-1326729-8](#) [925474-1](#) [928905-1](#) [964562-4](#) [968782-1](#)
[GT17SA-8DS-HU](#) [98891-1012](#) [98947-1016](#) [12004147](#) [12004475-L](#) [12010290](#) [12010309-B](#) [12015454](#) [12020219-B](#) [12041318-B](#) [12052225-](#)
[L](#) [12052466](#) [12064869](#) [12004327-B](#) [12015308](#) [12015384](#) [12015909](#) [1-21030-1](#) [12041254](#) [12041318](#) [12047946-B](#) [12047957](#) [12047957-L](#)
[12059473](#) [12066261](#) [12110546](#) [12110546-B](#)