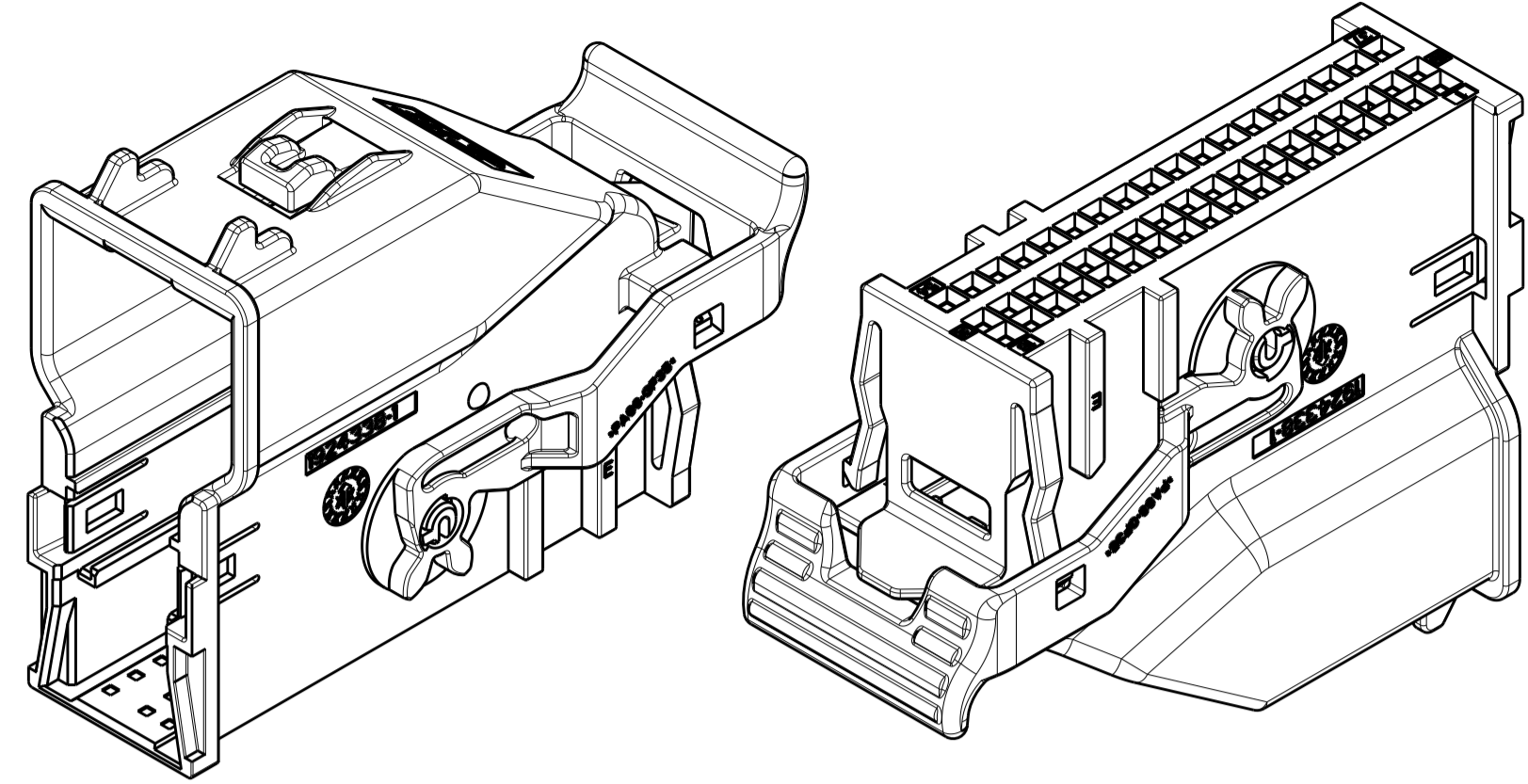
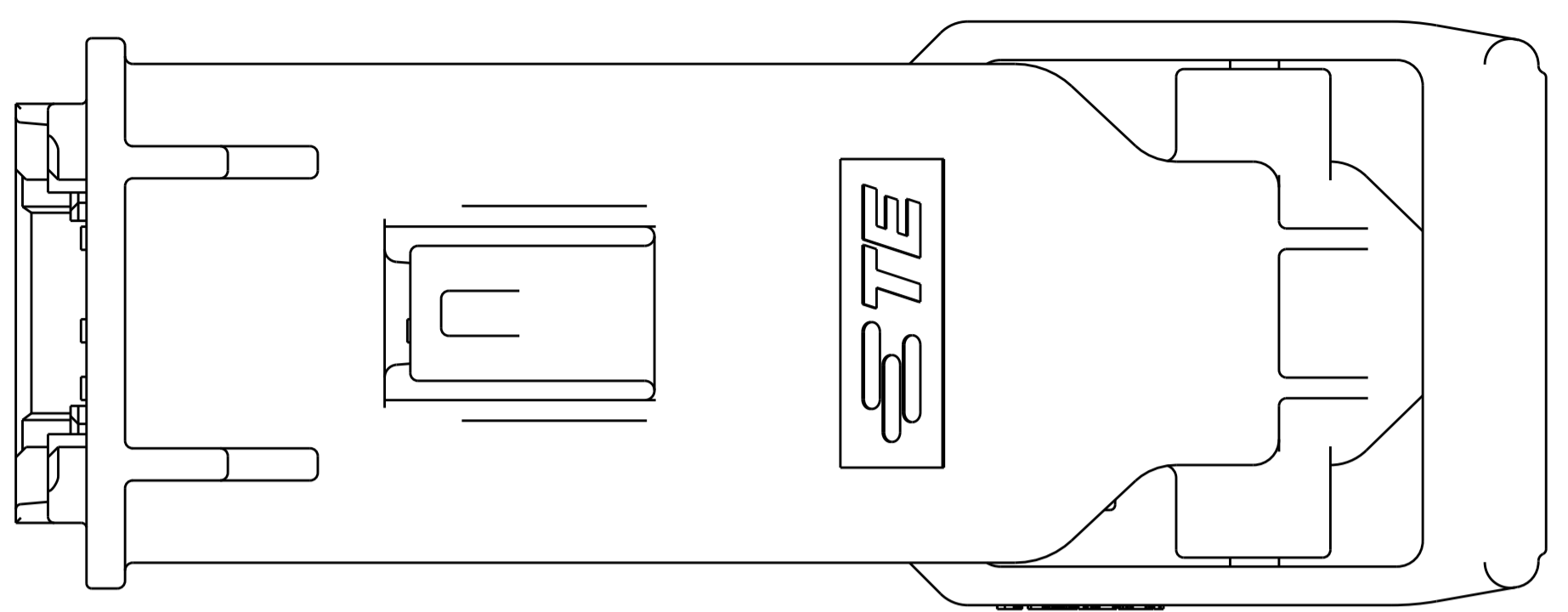


REVISIONS					
P.	LTN	DESCRIPTION	DATE	OWN	APP'D
A2		REVISED PER ECO-10-001736	27JAN2010	DLD	CJS
A3		REVISED PER ECO-16-000111	05JAN2016	DLD	CJS

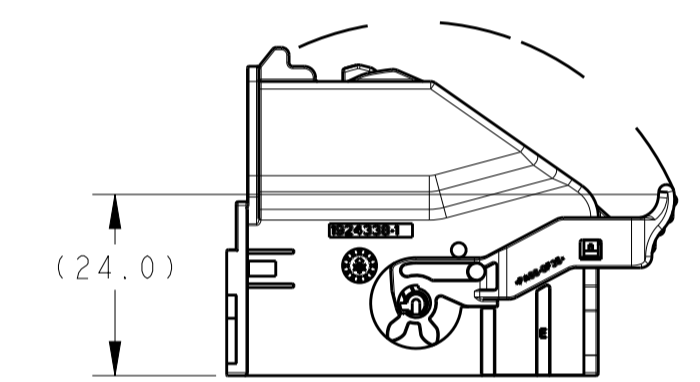
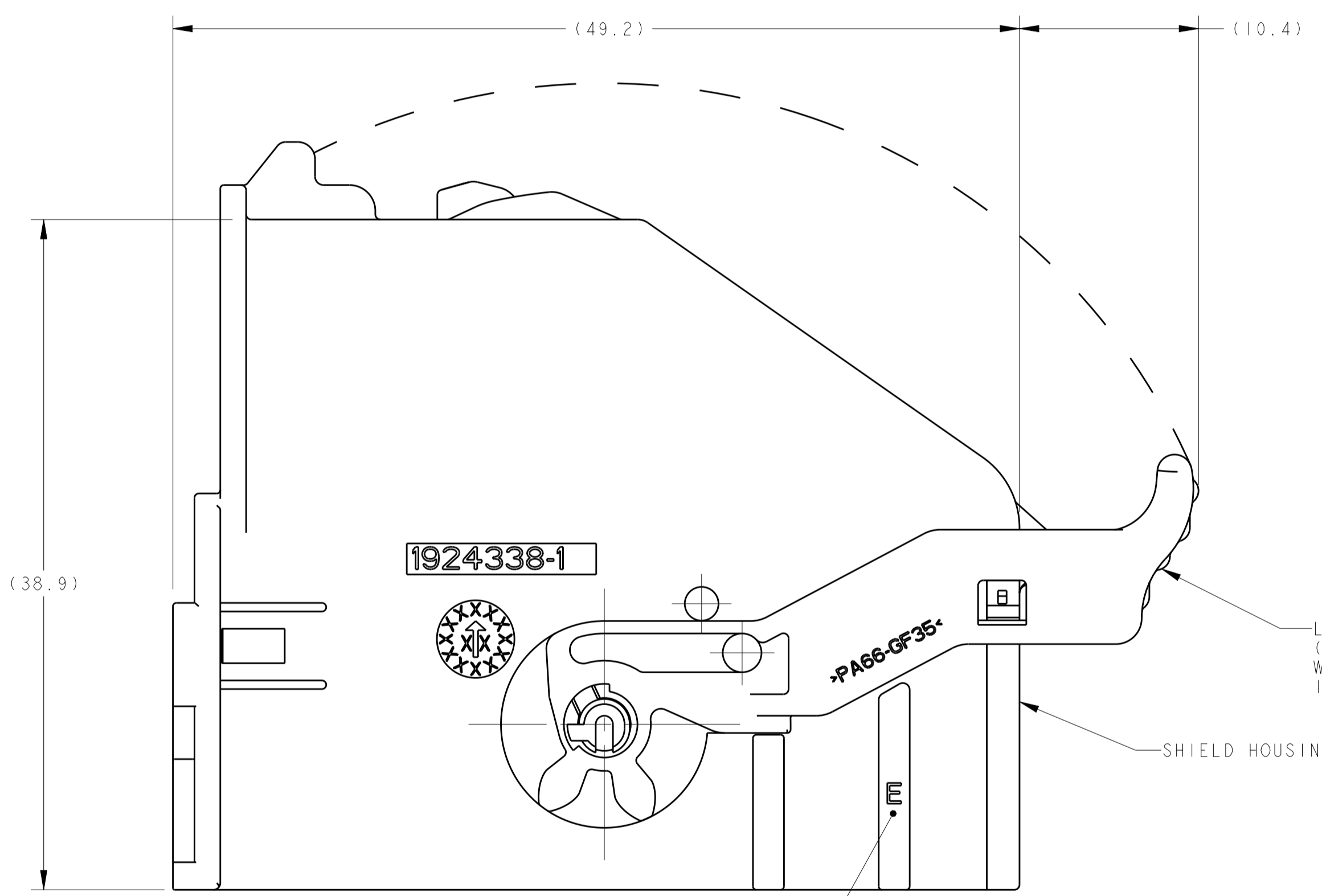
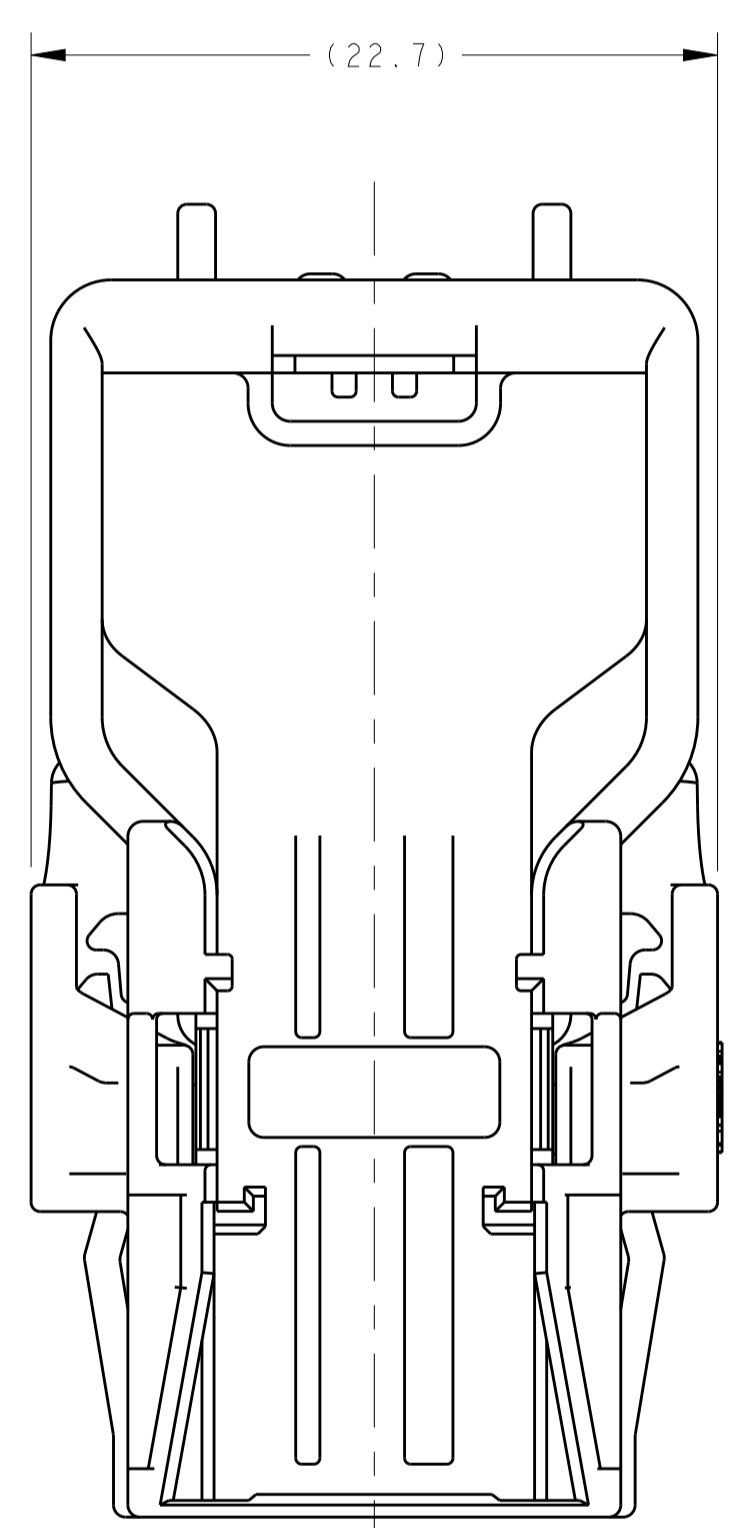


ISOMETRIC VIEWS
SCALE 2:1



△ MATERIAL: SHIELD HOUSING: NYLON 6/6, COLOR - SEE TABLE.
LEVER: NYLON 6/6, COLOR: GRAY.

2. SHIELD ASSEMBLY ACCEPTS ASSEMBLED TYCO ELECTRONICS CARRIER PART NUMBERS 1924340-1 & 1924341-1. 1924340-1 & 19243341-1 MUST BE ASSEMBLED TOGETHER BEFORE INSERTING INTO SHIELD ASSEMBLY.



LEVER IN MATED POSITION
SHOWN FOR REFERENCE ONLY
SCALE 1:1

PRELIMINARY - NOT RELEASED FOR PRODUCTION	TBD	PER DETAIL Z	20°0'	PER DETAIL AF	A-F	1-1924337-6
PRELIMINARY - NOT RELEASED FOR PRODUCTION	TBD			PER DETAIL CD	C-D	1-1924337-5
PRELIMINARY - NOT RELEASED FOR PRODUCTION	TBD			PER DETAIL BF	B-F	1-1924337-4
RELEASED	BLACK			PER DETAIL AE	A-E	1-1924337-3
PRELIMINARY - NOT RELEASED FOR PRODUCTION	TBD	PER DETAIL Y	45°0'	PER DETAIL AF	A-F	1-1924337-2
PRELIMINARY - NOT RELEASED FOR PRODUCTION	TBD			PER DETAIL CD	C-D	1-1924337-1
PRELIMINARY - NOT RELEASED FOR PRODUCTION	TBD			PER DETAIL BF	B-F	1-1924337-0
PRELIMINARY - NOT RELEASED FOR PRODUCTION	TBD	PER DETAIL X	70°0'	PER DETAIL AE	A-E	1924337-9
PRELIMINARY - NOT RELEASED FOR PRODUCTION	TBD			PER DETAIL AF	A-F	1924337-8
PRELIMINARY - NOT RELEASED FOR PRODUCTION	TBD			PER DETAIL CD	C-D	1924337-7
PRELIMINARY - NOT RELEASED FOR PRODUCTION	TBD	PER DETAIL W	90°0'	PER DETAIL BF	B-F	1924337-6
PRELIMINARY - NOT RELEASED FOR PRODUCTION	TBD			PER DETAIL AE	A-E	1924337-5
PRELIMINARY - NOT RELEASED FOR PRODUCTION	TBD			PER DETAIL AF	A-F	1924337-4
RELEASED	BLUE			PER DETAIL CD	C-D	1924337-3
RELEASED	GRAY			PER DETAIL BF	B-F	1924337-2
RELEASED	BLACK			PER DETAIL AE	A-E	1924337-1
STATUS	SHIELD HOUSING COLOR	WIRE EXIT	WIRE EXIT ANGLE	KEYING	KEYING OPTION	PART NUMBER

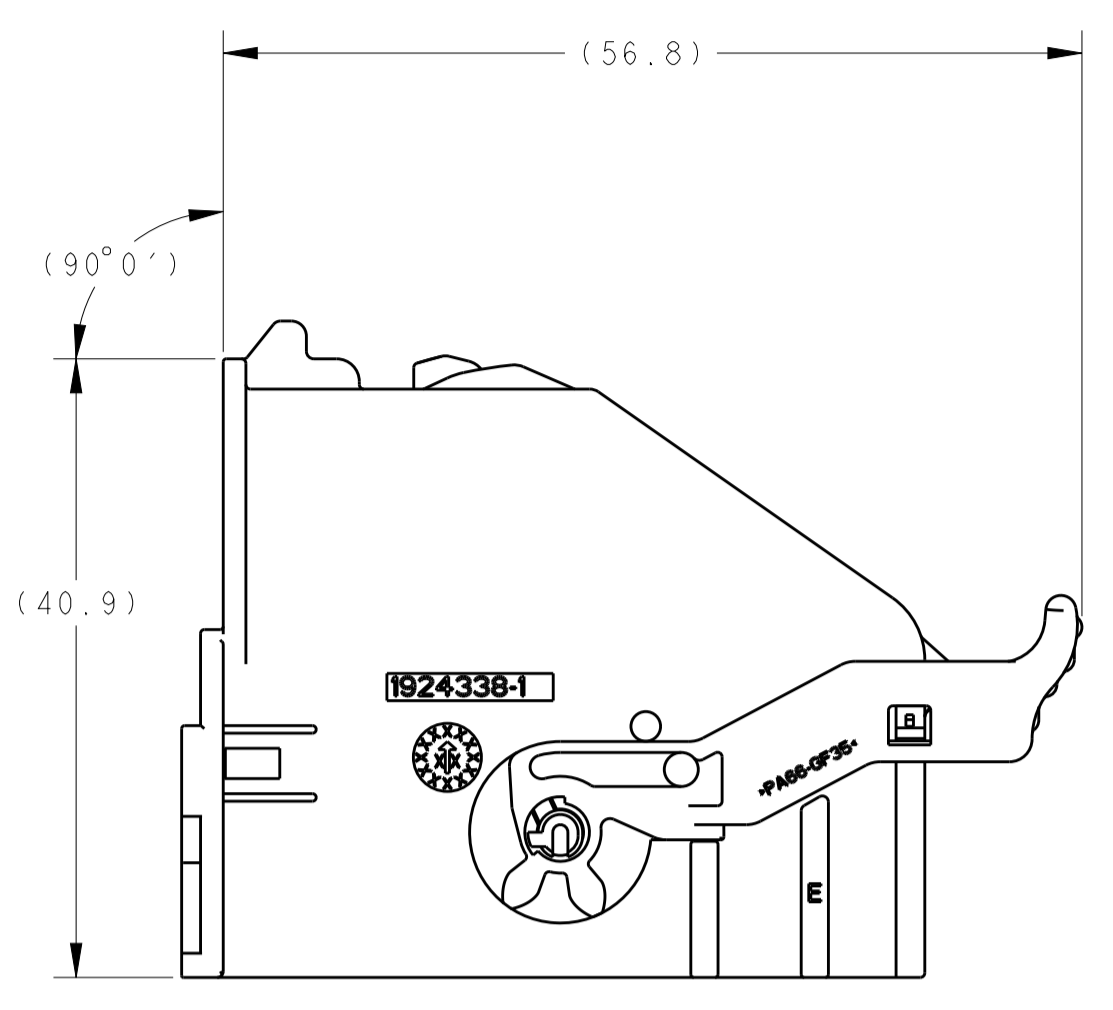
KEY IDENTIFIER REF

THIS DRAWING IS A CONTROLLED DOCUMENT.

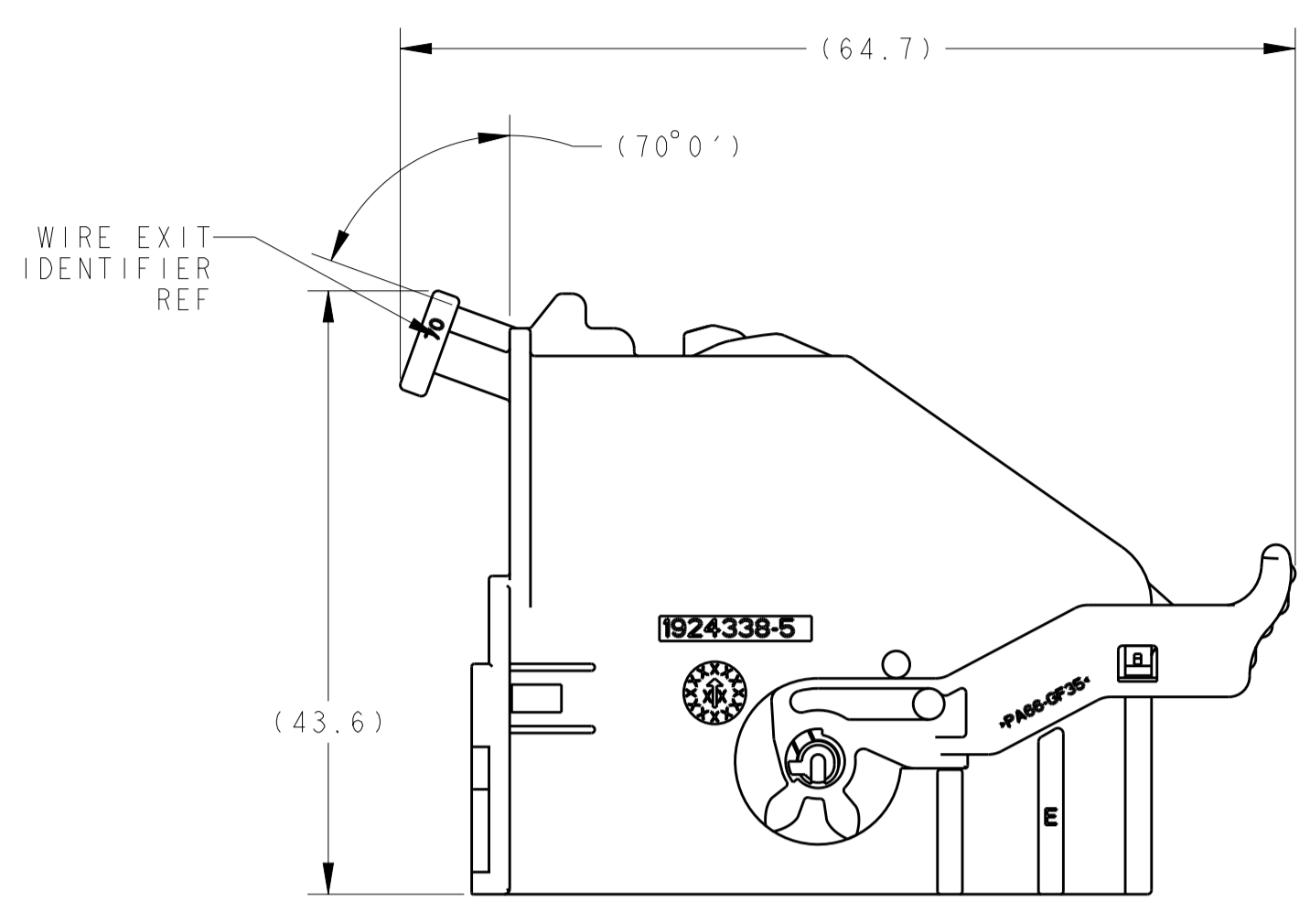
DIMENSIONS:	TOLERANCES UNLESS OTHERWISE SPECIFIED:	OWN: H. FOLTZ 15FEB2007	CHK: G. MARTIN 16FEB2007	AP'D: G. MARTIN 16FEB2007	NAME: SHIELD ASSEMBLY, 54 POSITION, 0.64mm GENERATION Y, CONNECTOR
mm	0 PLC ±0.1 1 PLC ±0.1 2 PLC ±0.05 3 PLC ±0.05 4 PLC ±0.05 ANGLES ±1°	PRODUCT SPEC	APPLICATION SPEC	WEIGHT	SIZE: A100779
MATERIAL: △	FINISH	RESTRICTED TO	CUSTOMER DRAWING	SCALE: 1:1	SHEET 1 OF 2

4805 (3/13)

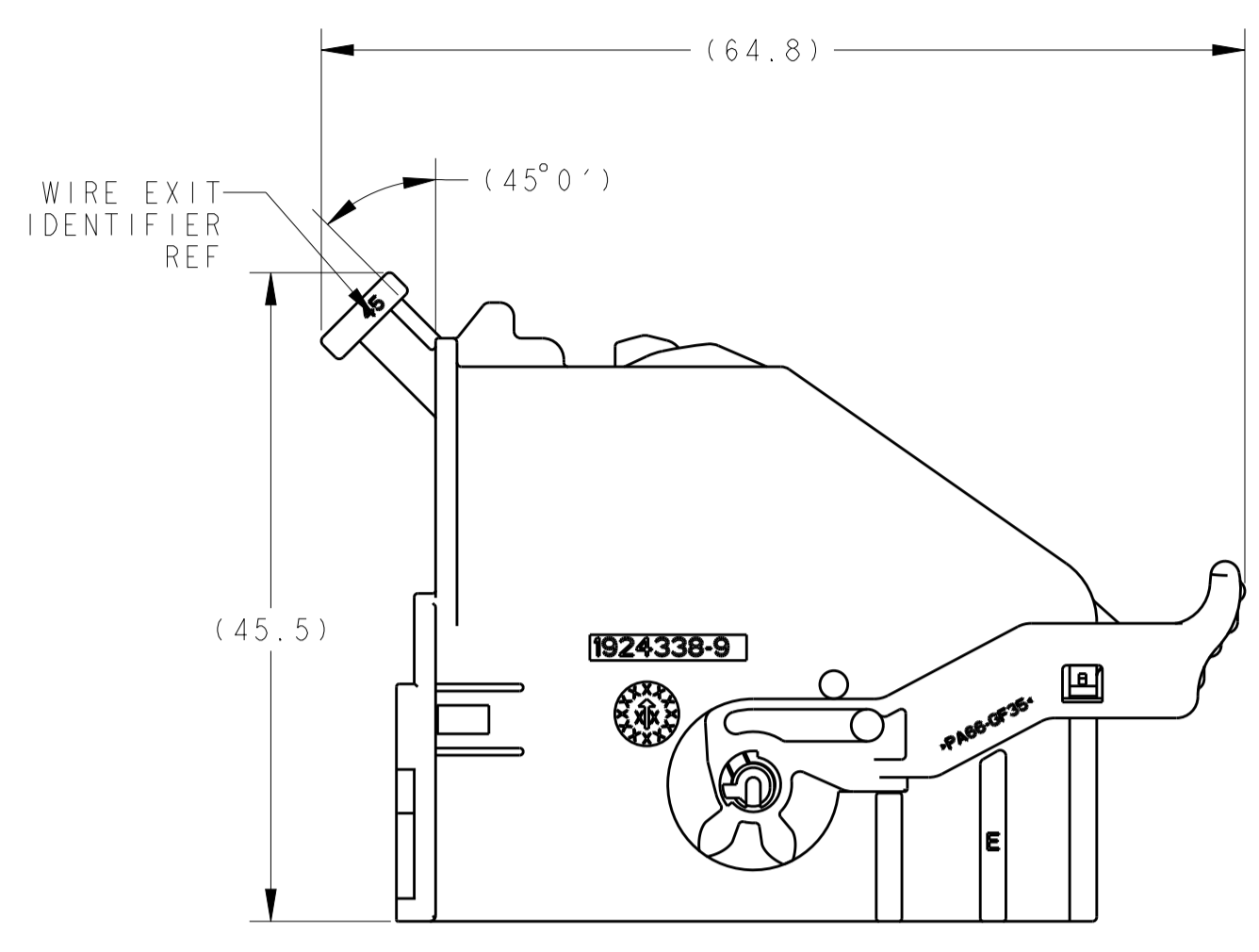
REVISIONS				
P.	LTN.	DESCRIPTION	DATE	APP'D.
-	-	SEE SHEET 1	-	-



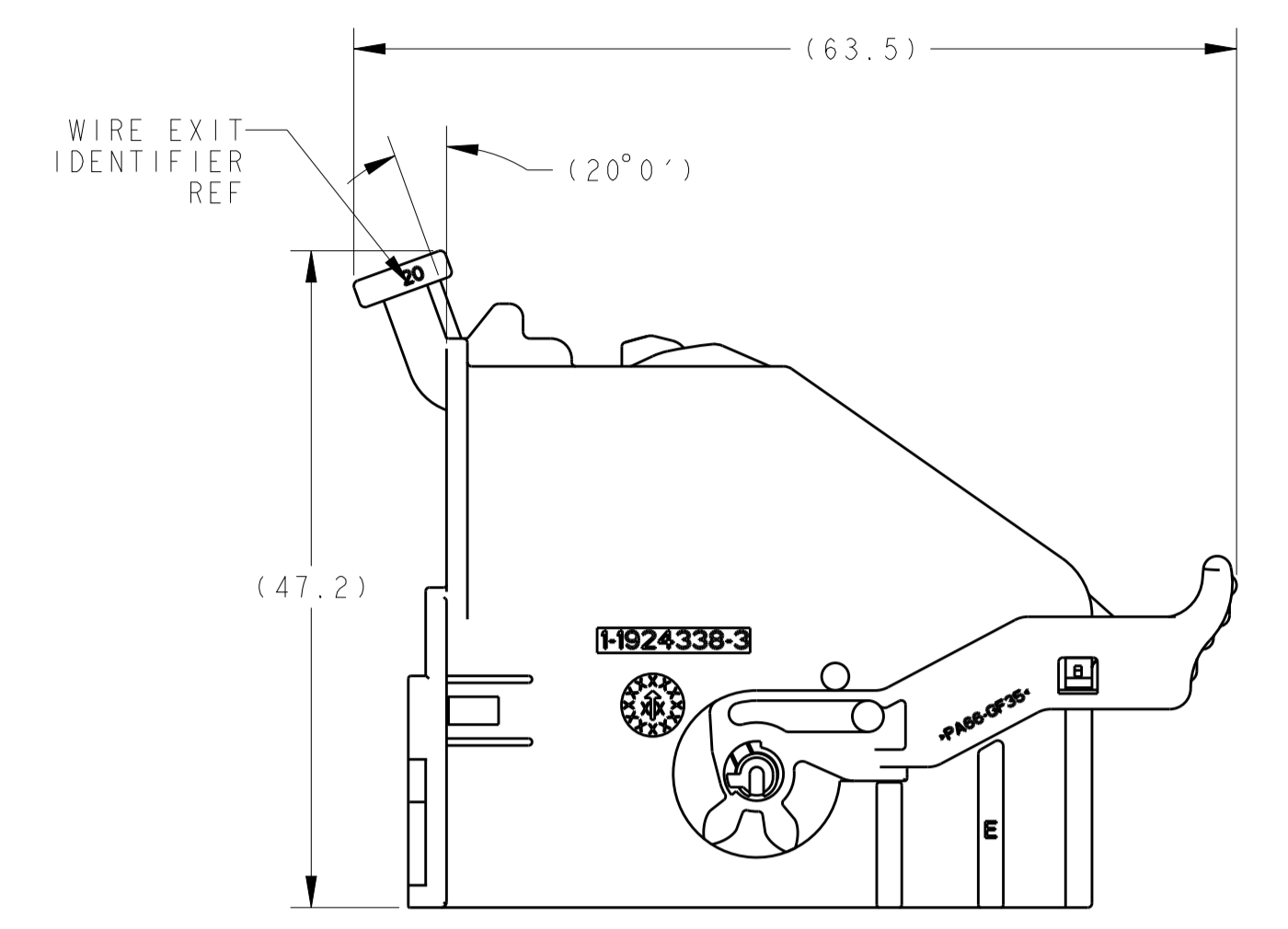
DETAIL W
SCALE 2:1



DETAIL X
SCALE 2:1

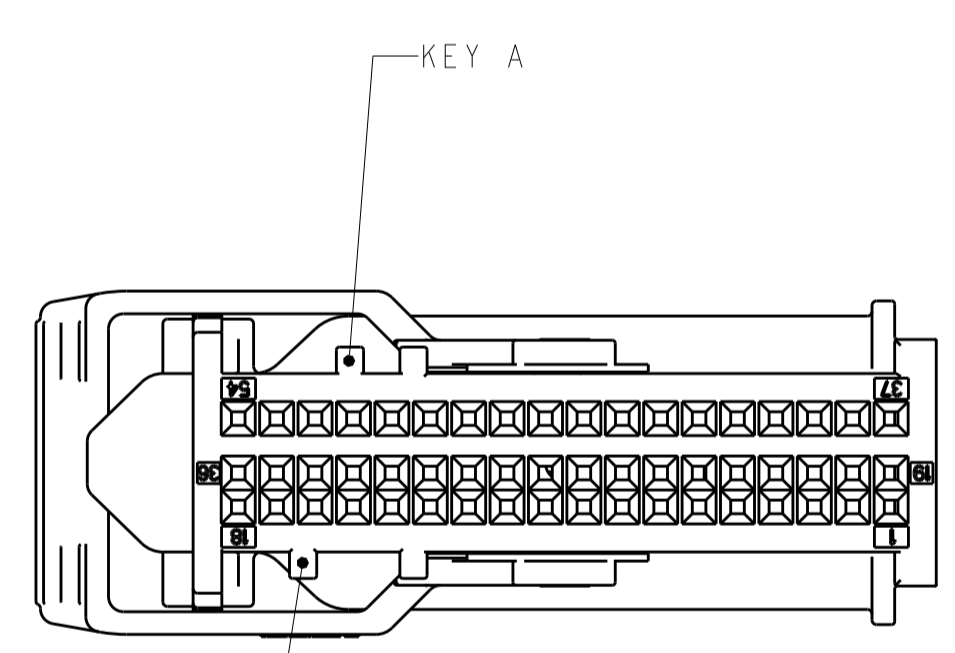


DETAIL Y
SCALE 2:1

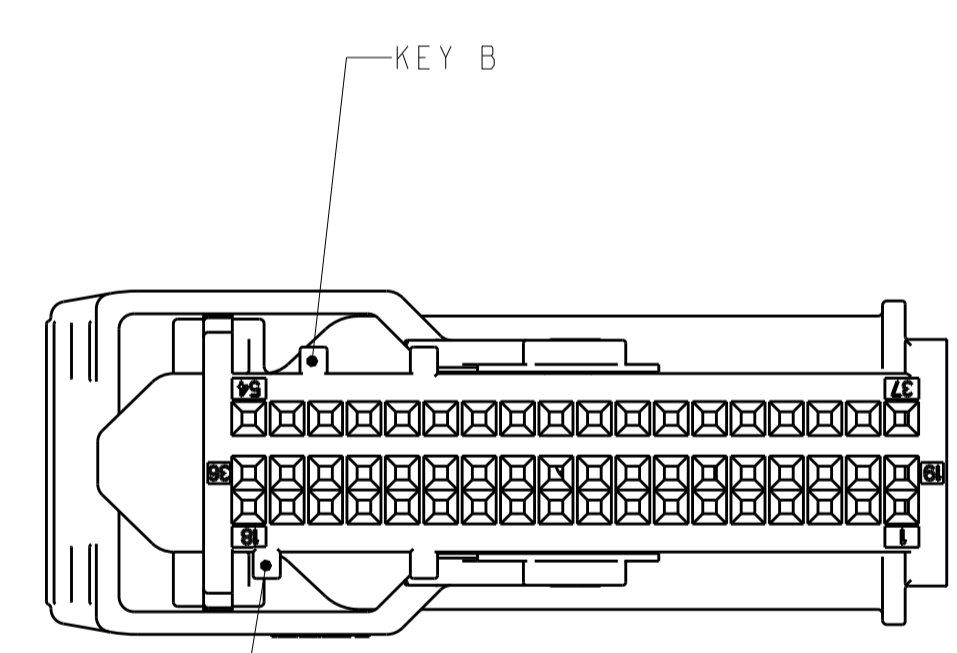


DETAIL Z
SCALE 2:1

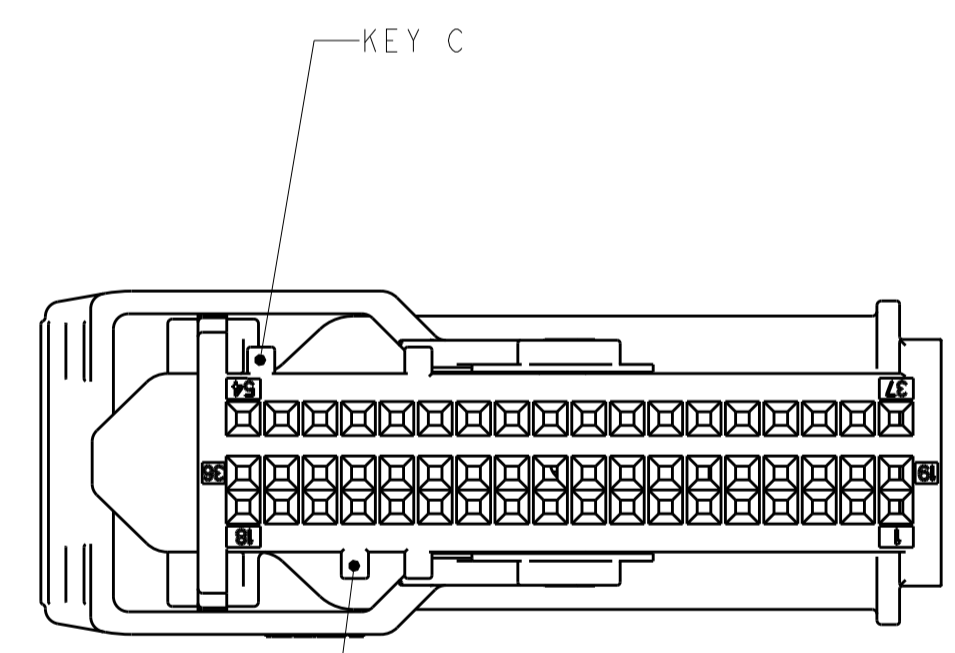
WIRE EXIT OPTIONS
FOR REFERENCE ONLY



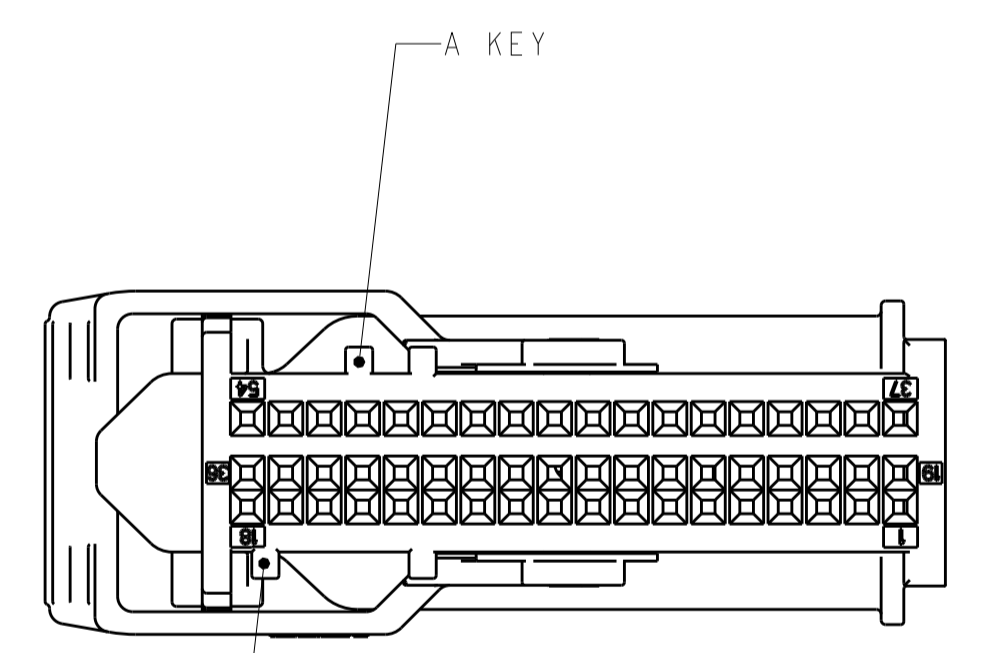
DETAIL AE
SCALE 2:1



DETAIL BF
SCALE 2:1



DETAIL CD
SCALE 2:1



DETAIL AF
SCALE 2:1

KEYING OPTIONS
FOR REFERENCE ONLY

THIS DRAWING IS A CONTROLLED DOCUMENT.		DWN R. FOLTZ 15FEB2007	TE Connectivity												
DIMENSIONS:		CHK G. MARTIN 16FEB2007													
mm	TOLERANCES UNLESS OTHERWISE SPECIFIED:	APP'D G. MARTIN 16FEB2007	NAME SHIELD ASSEMBLY, 54 POSITION, 0.64mm GENERATION Y, CONNECTOR												
<table border="1"> <tr> <td>0 PLC</td> <td>±</td> </tr> <tr> <td>1 PLC</td> <td>±0.1</td> </tr> <tr> <td>2 PLC</td> <td>±0.05</td> </tr> <tr> <td>3 PLC</td> <td>±</td> </tr> <tr> <td>4 PLC</td> <td>±</td> </tr> <tr> <td>ANGLES</td> <td>±1°</td> </tr> </table>	0 PLC	±	1 PLC	±0.1	2 PLC	±0.05	3 PLC	±	4 PLC	±	ANGLES	±1°	FINISH	PRODUCT SPEC	APPLICATION SPEC
0 PLC	±														
1 PLC	±0.1														
2 PLC	±0.05														
3 PLC	±														
4 PLC	±														
ANGLES	±1°														
MATERIAL		WEIGHT	RESTRICTED TO												
		CUSTOMER DRAWING	SCALE 1:1 SHEET 2 OF 2 REV A3												

X-ON Electronics

Largest Supplier of Electrical and Electronic Components

Click to view similar products for [Automotive Connectors](#) category:

Click to view products by [TE Connectivity](#) manufacturer:

Other Similar products are found below :

[003-018-000](#) [60403001](#) [60993906-B](#) [M902-2131](#) [M902-2161](#) [72.330.1035.1](#) [73.353.4028.0](#) [F119300-B](#) [F166900](#) [F258300-B](#) [F358300-B](#)
[F407400](#) [F444110](#) [F487000](#) [F509500B-B](#) [827153-1](#) [8N1515-32-24P](#) [9-1326729-8](#) [925474-1](#) [928905-1](#) [964562-4](#) [968782-1](#) [GT17SA-8DS-](#)
[HU](#) [98891-1012](#) [98947-1016](#) [12004147](#) [12004475-L](#) [12010290](#) [12010309-B](#) [12015454](#) [12020219-B](#) [12020308](#) [12041318-B](#) [12052225-L](#)
[12052466](#) [12059125](#) [12064869](#) [12004327-B](#) [12010503-B](#) [12015308](#) [12015384](#) [12015909](#) [1-21030-1](#) [12041254](#) [12041318](#) [12047946-B](#)
[12047957](#) [12047957-L](#) [12059473](#) [12066261](#)