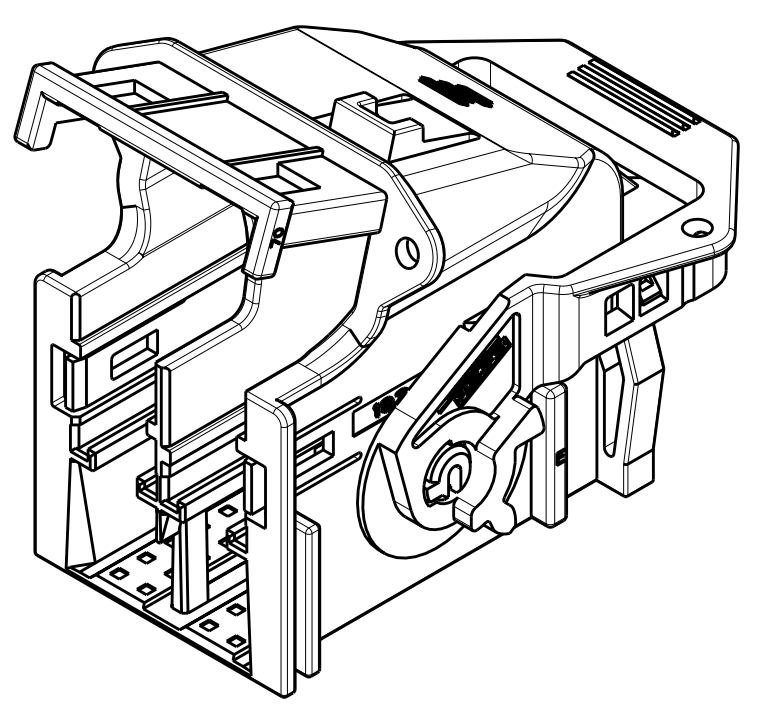
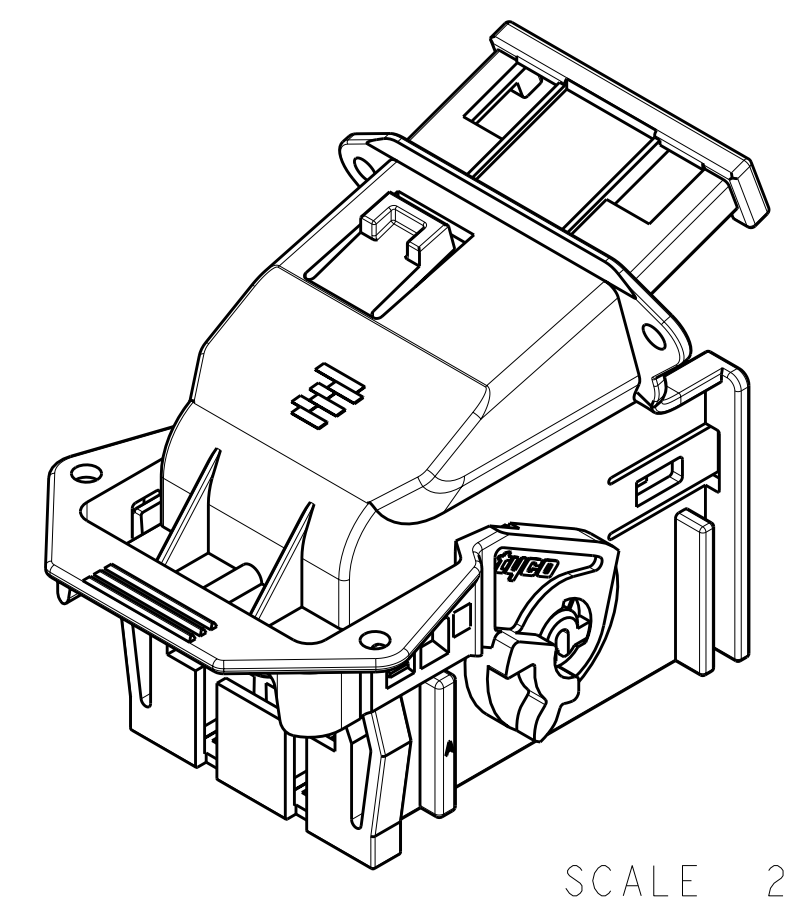
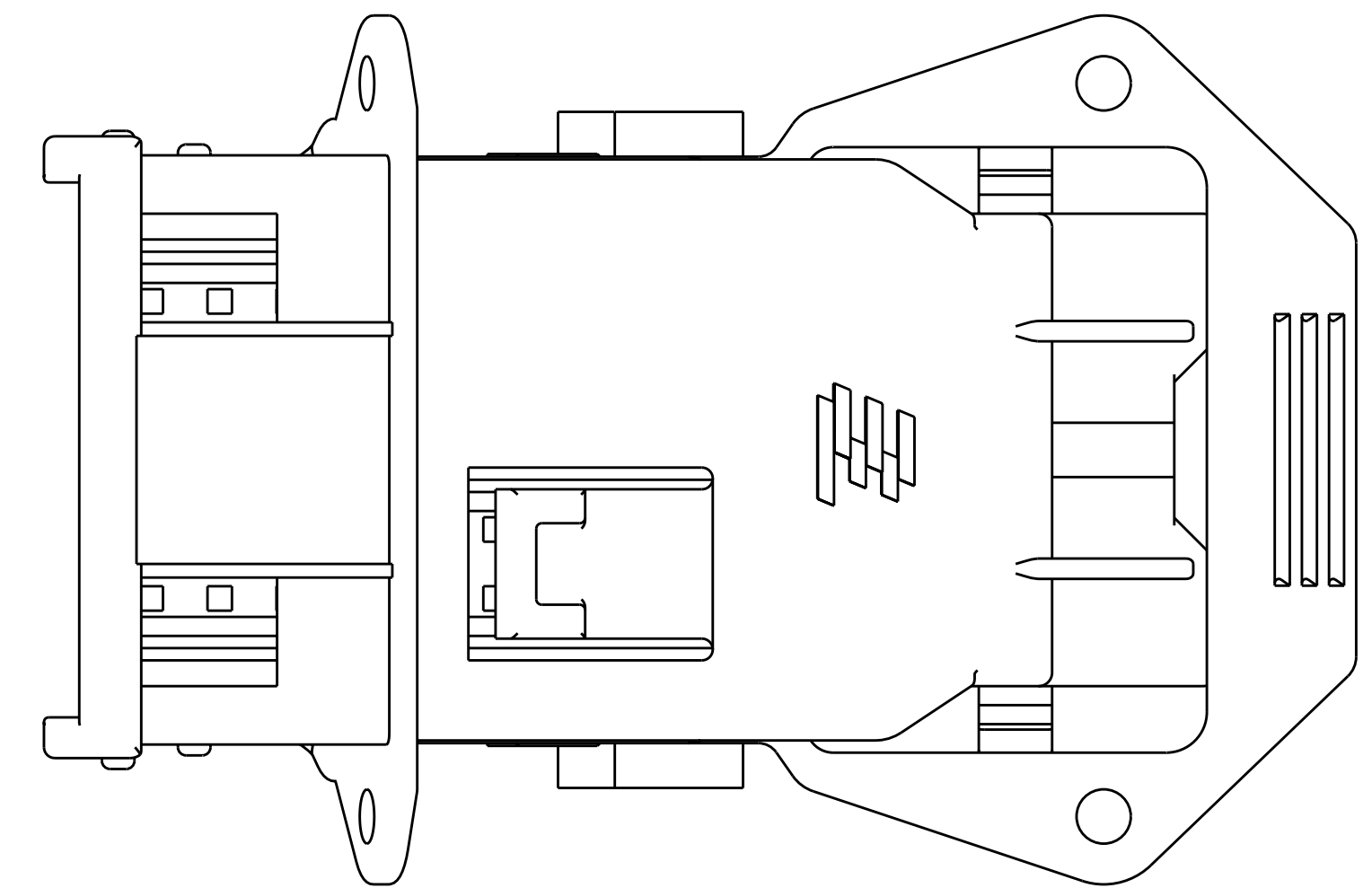


LOC	DIST	REV	DATE	BY	CHKD	APVD
IN	00					
A		RELEASED PER ECO-08-001177	18JAN2008	RGV	RDH	
A1		REVISED PER ECO-08-018839	31JUL2008	DLD	CJS	
A2		REVISED PER ECO-09-009935	05MAY2009	DLD	JLA	

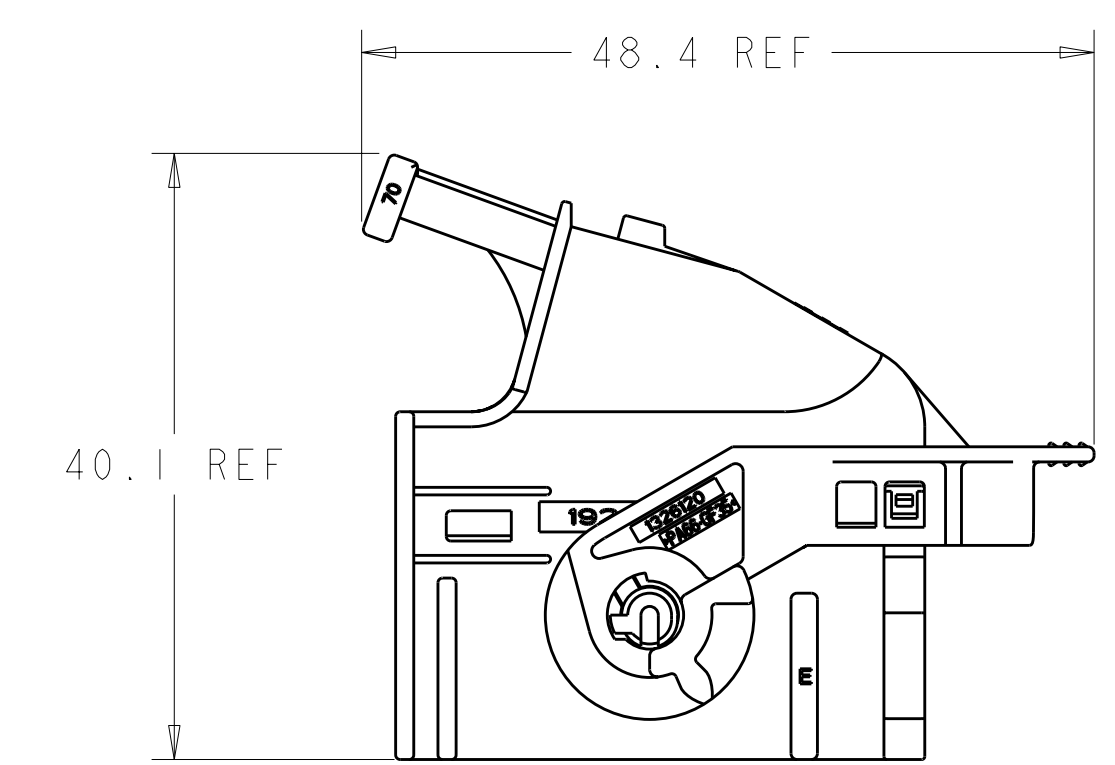
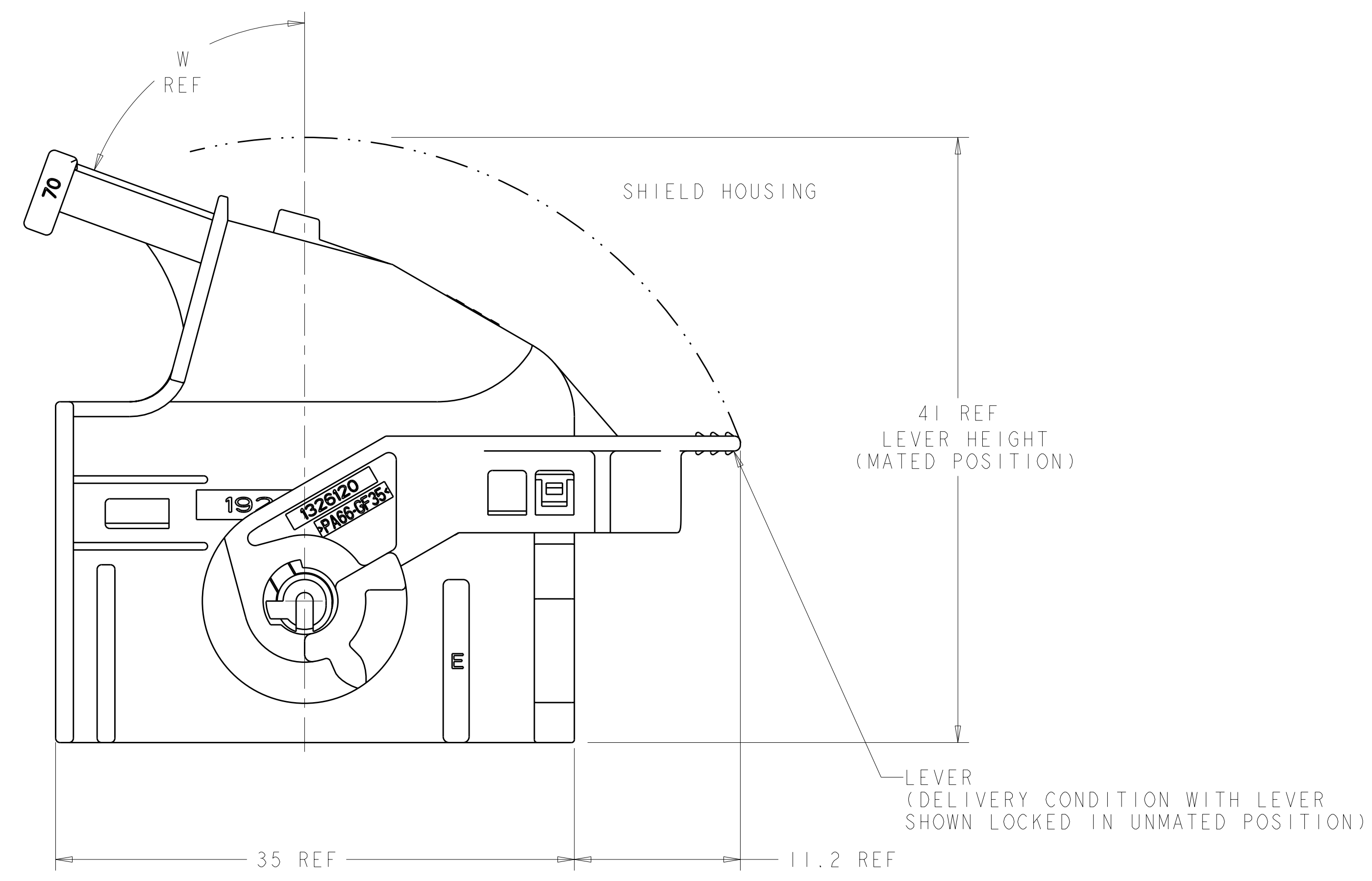
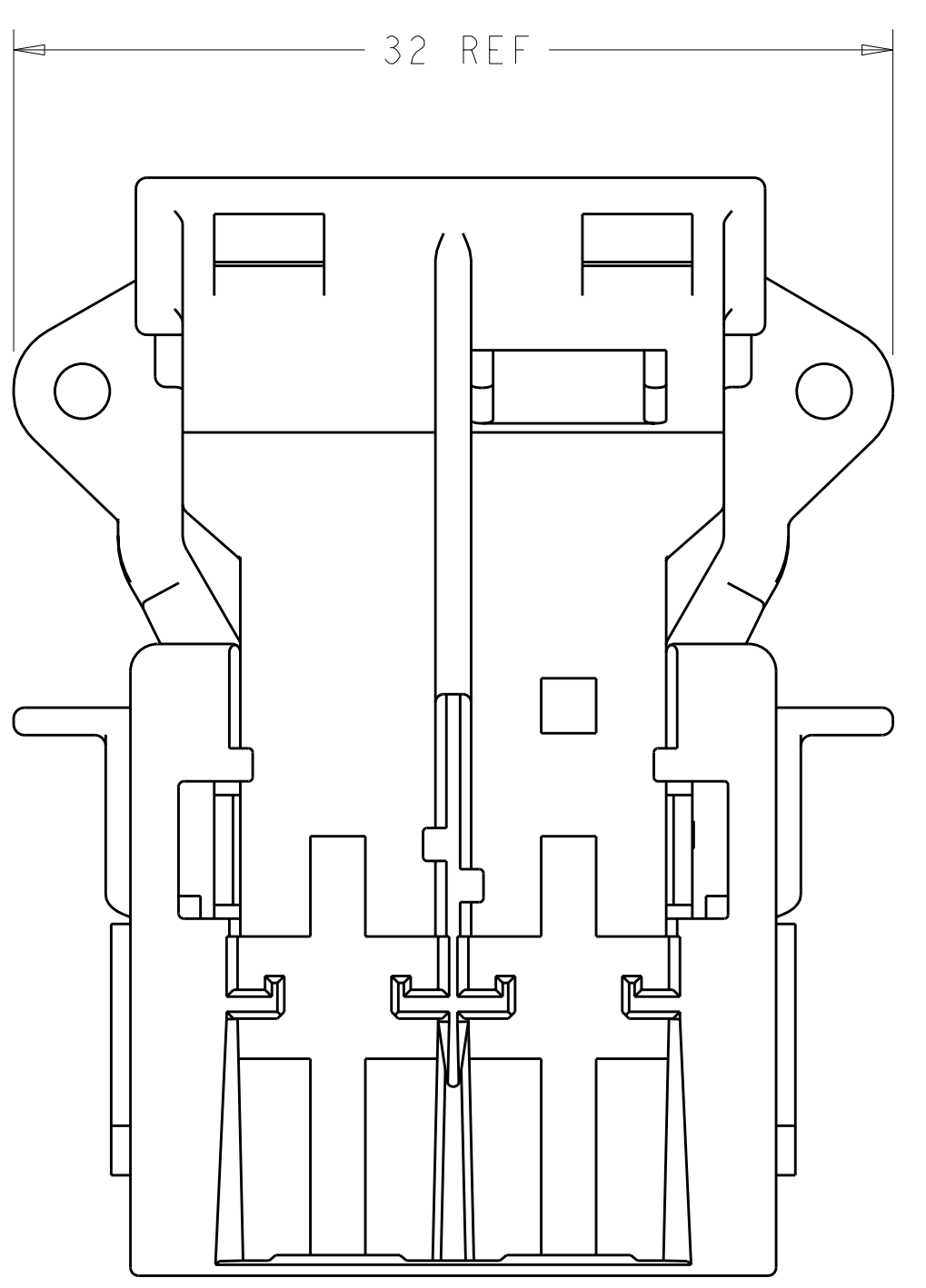


SCALE 2:1

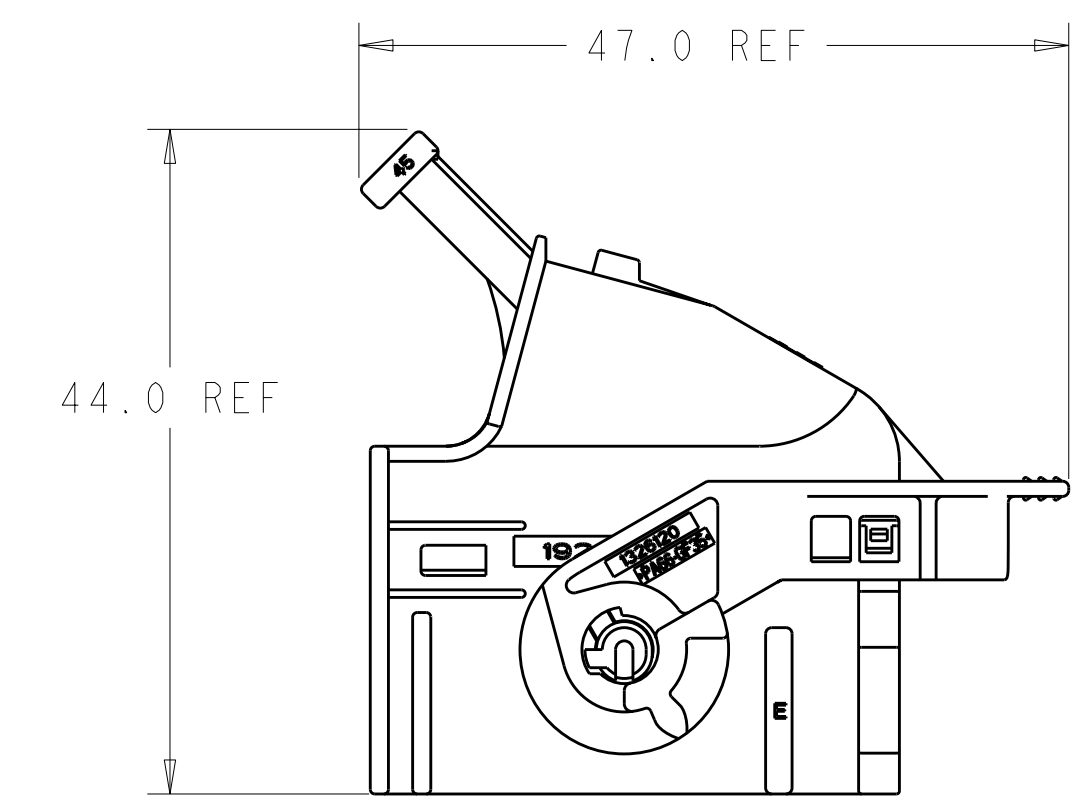


SCALE 2:1

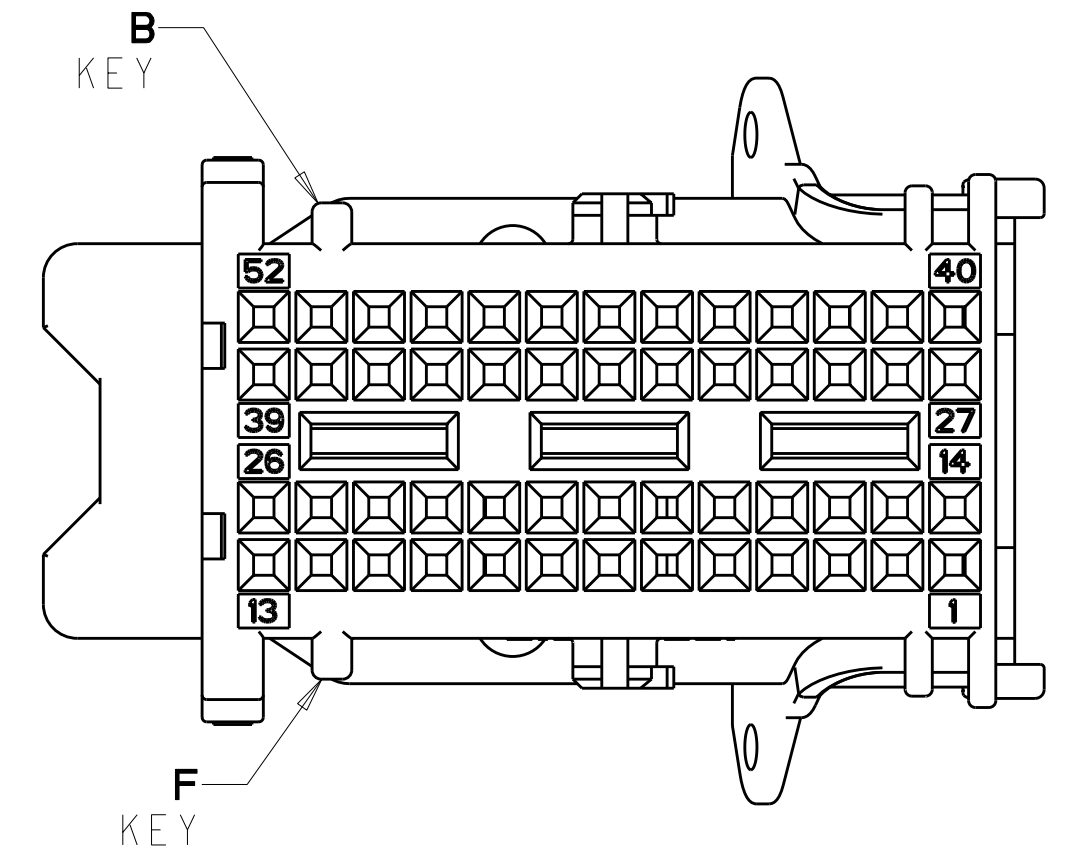
- △ MATERIAL: SHIELD - 35% GLASS REINFORCED NYLON. SEE TABLE BELOW FOR COLOR.
LEVER - 35% GLASS REINFORCED NYLON. COLOR: DARK GREY.
- REFERENCE: RECEPTACLE HOUSING, 1924136-1 & 1924136-2, USED WITH THIS ASSEMBLY.
 - REFERENCE: INTERFACE DETAIL PER DRAWING NO. AUAUTO1000-2962-0010 AND TE DRAWING NO. 1438985-GEN.



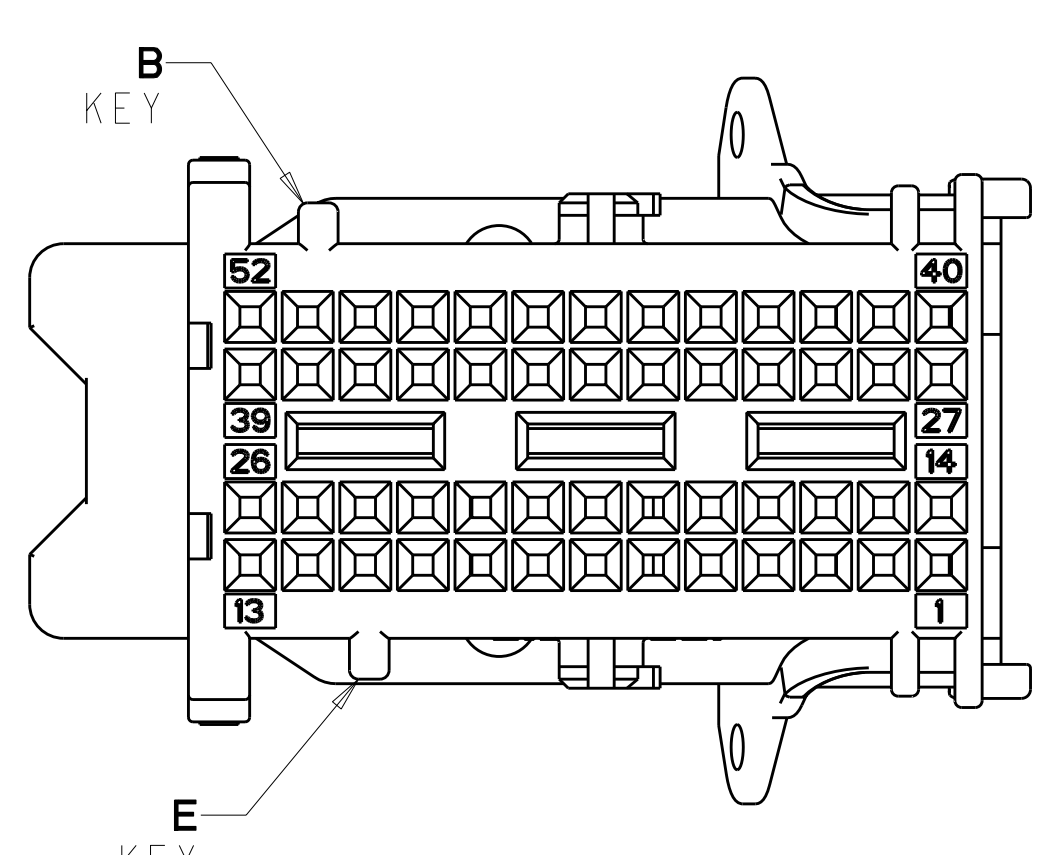
70° WIRE EXIT SCALE 2:1



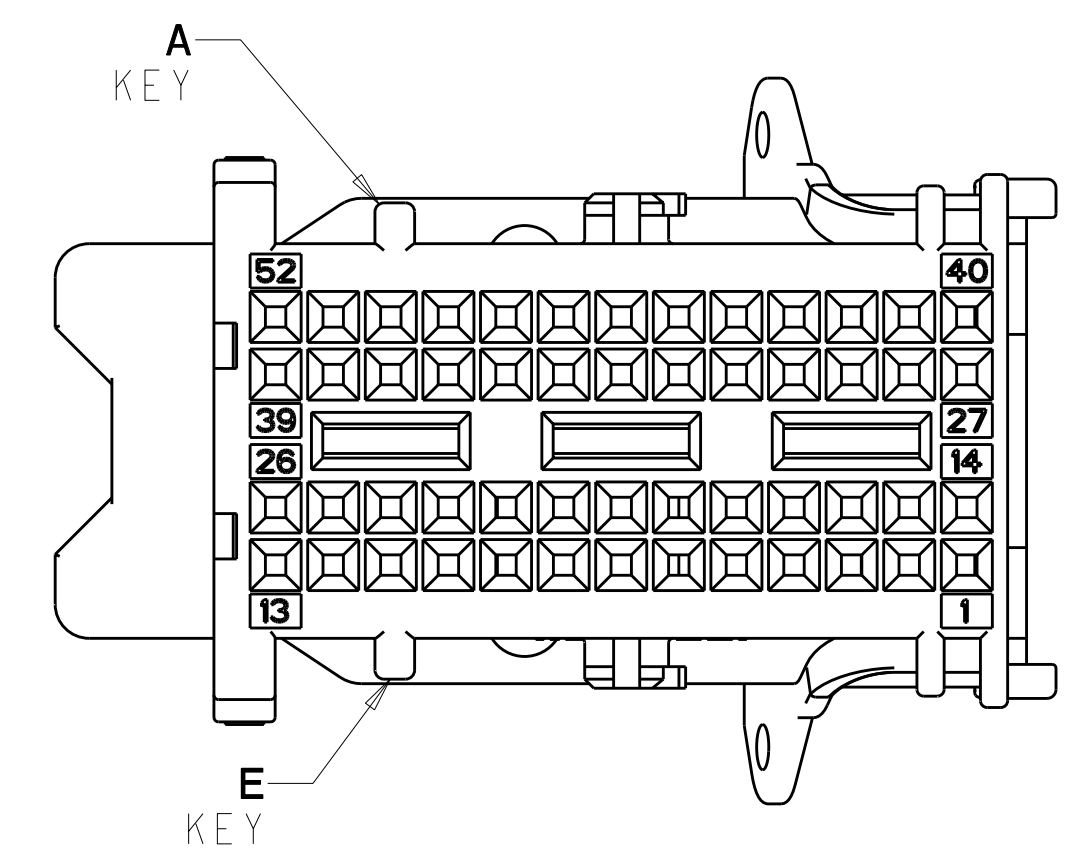
45° WIRE EXIT SCALE 2:1



KEY B-F SHOWN FOR ASSEMBLY 1924346-3 & 1924346-6



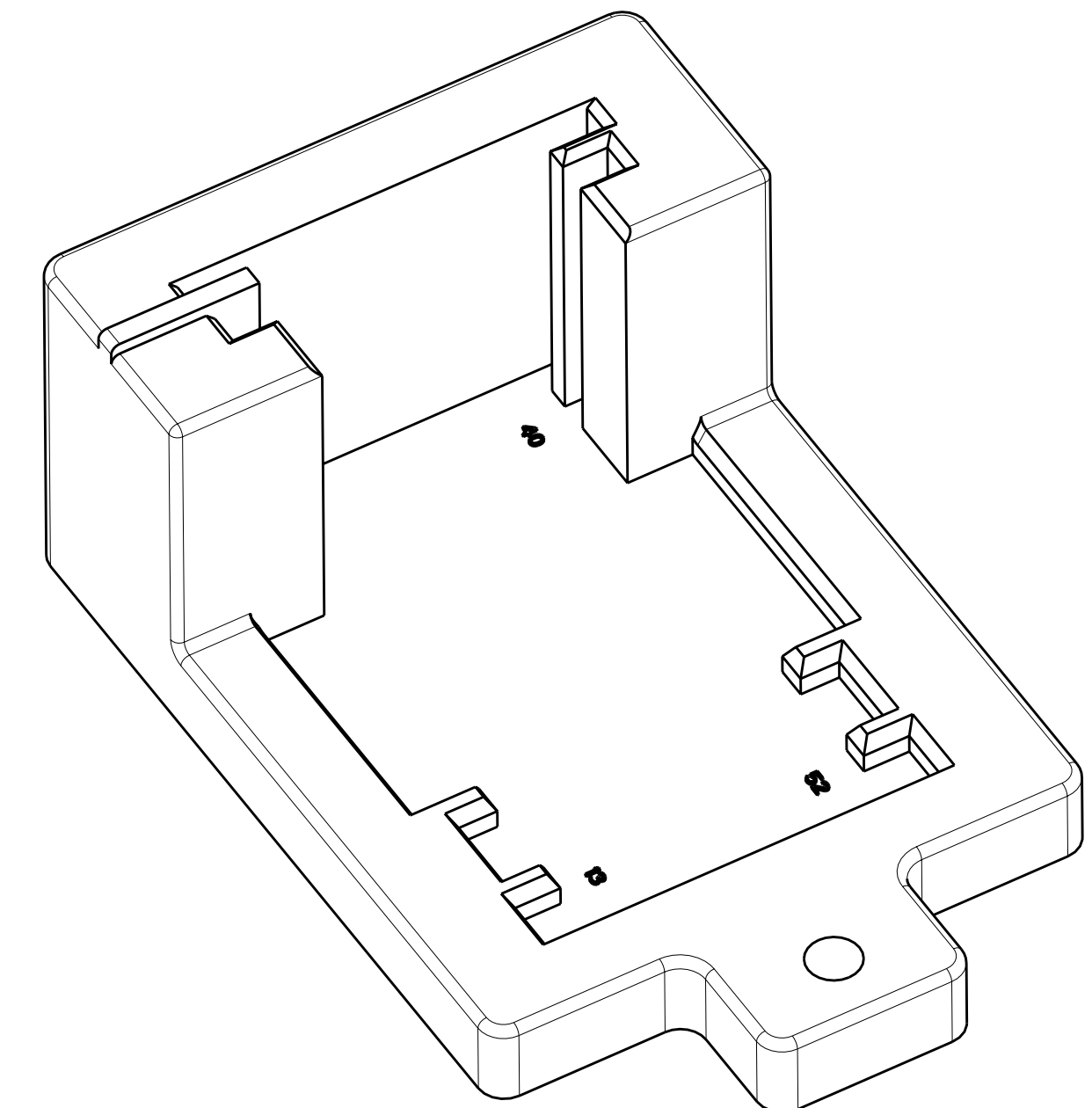
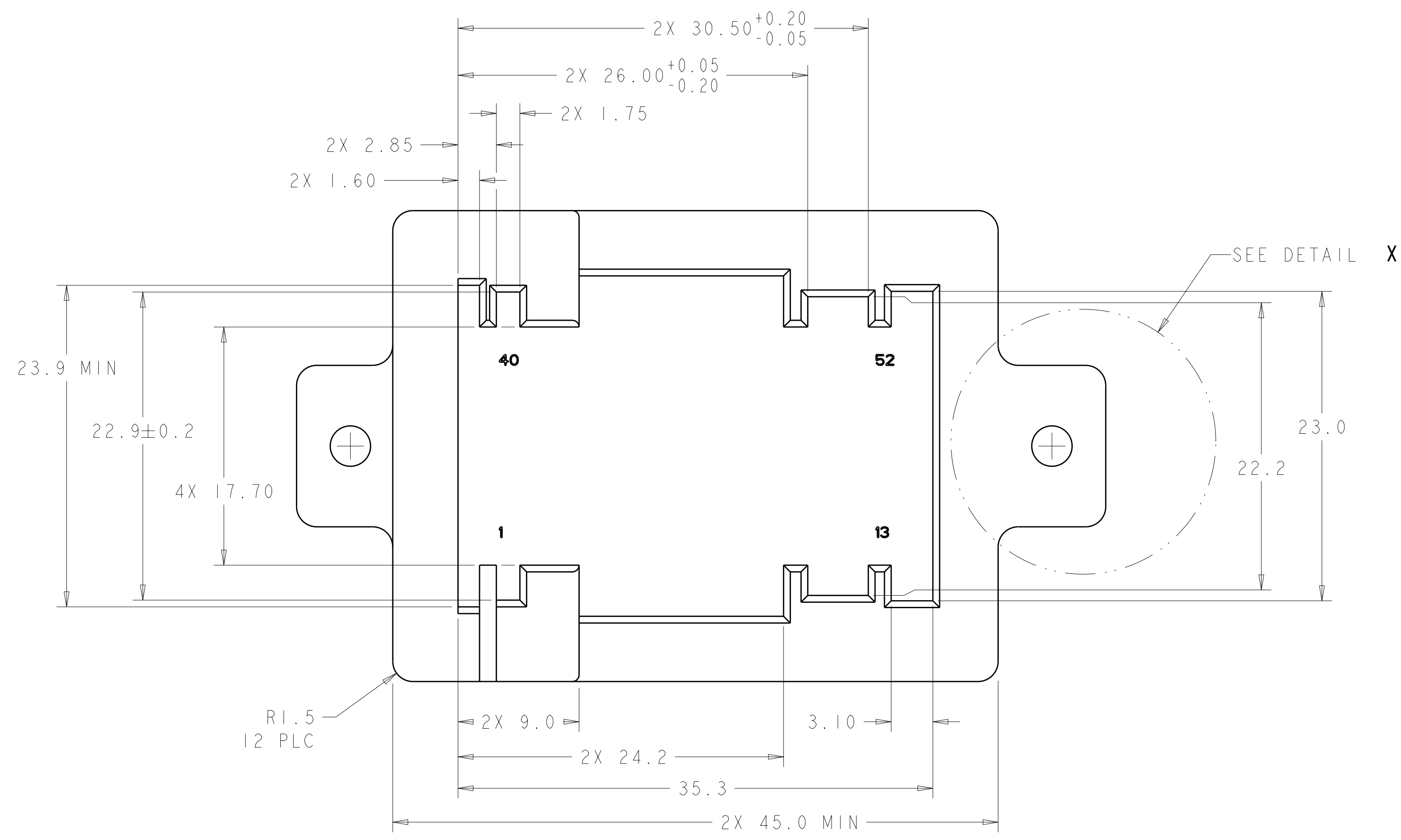
KEY B-E SHOWN FOR ASSEMBLY 1924346-2 & 1924346-5



KEY A-E SHOWN FOR ASSEMBLY 1924346-1 & 1924346-4

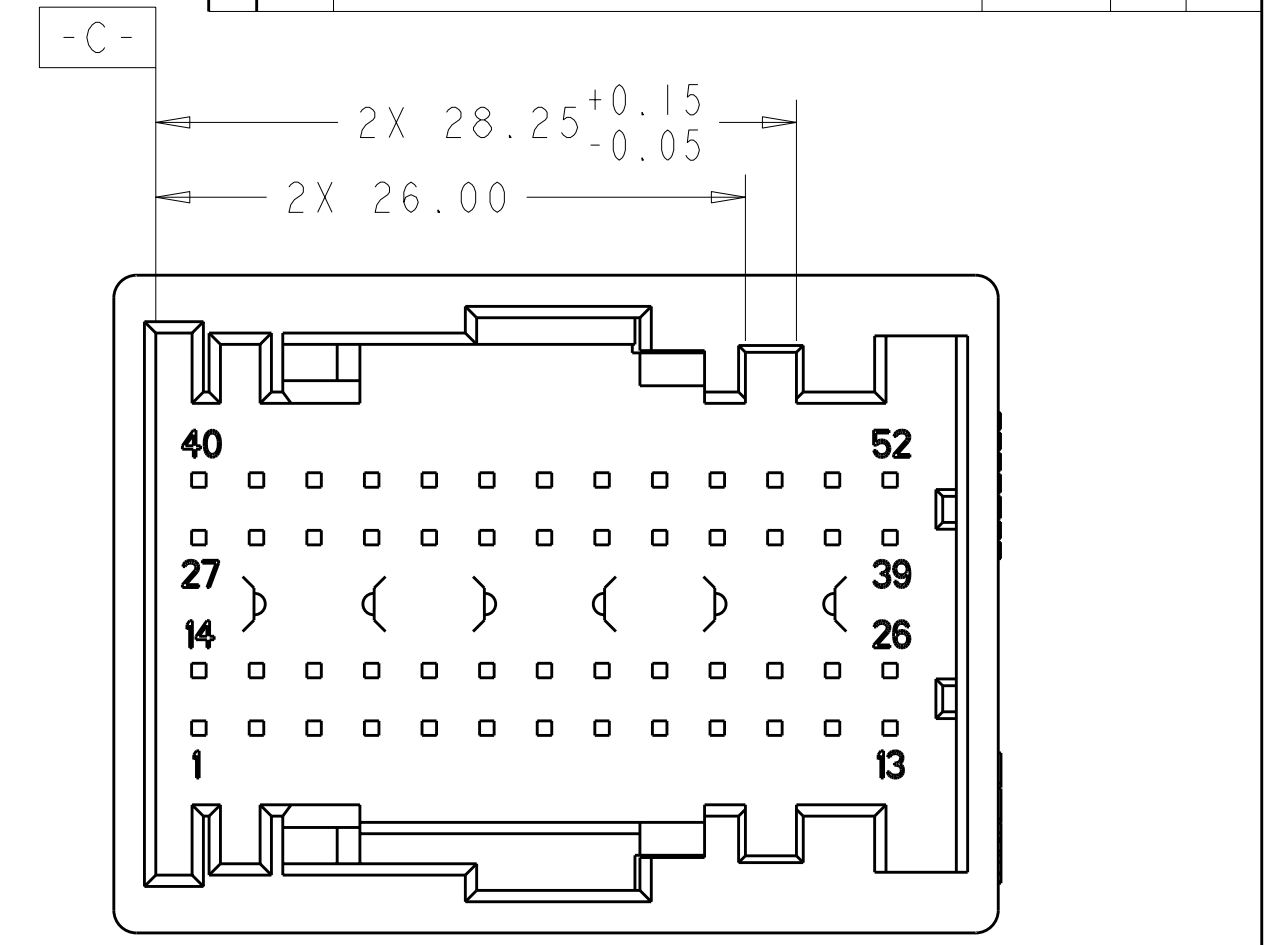
DIM W	COLOR	KEYING OPT.	PART NUMBER
45°	BLUE	B-F	1924346-6
45°	GRAY	B-E	1924346-5
45°	BLACK	A-E	1924346-4
70°	BLUE	B-F	1924346-3
70°	GRAY	B-E	1924346-2
70°	BLACK	A-E	1924346-1

DIMENSIONS: mm TOLERANCES UNLESS OTHERWISE SPECIFIED: 9 PLC ± 1 PLC ±0.2 3 PLC ±0.05 4 PLC ± ANGLES ± FINISH		DWN: FOLTZ 24OCT2007 CHK: G. MARTIN 24OCT2007 APVD: G. MARTIN 24OCT2007 PRODUCT SPEC: APPLICATION SPEC: WEIGHT: CUSTOMER DRAWING	Tyco Electronics Harrisburg, PA 17105-3608 NAME: SHIELD ASSEMBLY, 52 POSITION, LEVER ASSISTED, 0.64mm GENERATION Y, CONNECTOR SIZE: CAGE CODE DRAWING NO. RESTRICTED TO: A1 00779 C=1924346 SCALE: 4:1 SHEET 1 OF 2 REV A2
---	--	--	---

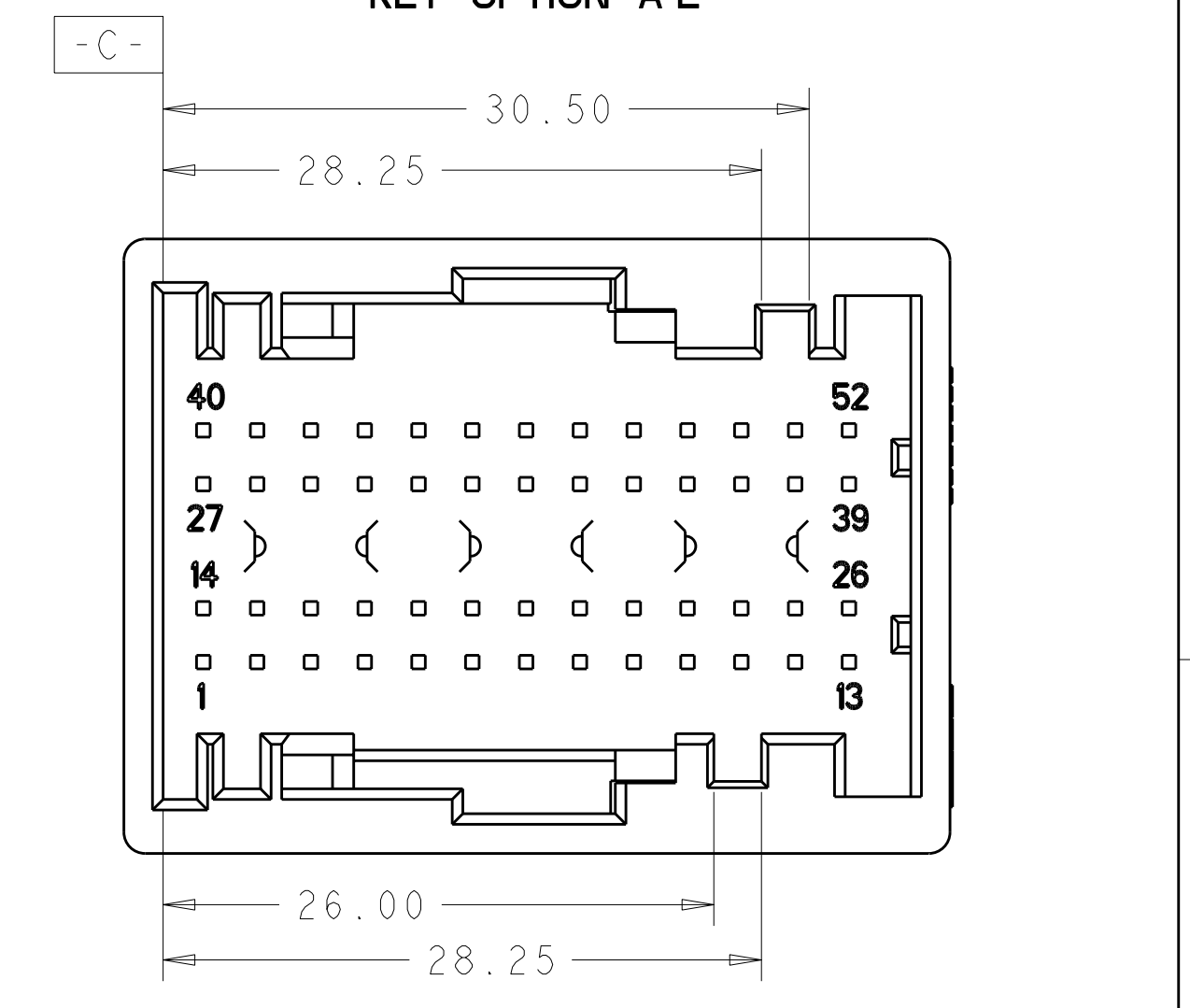


SCALE 3:1

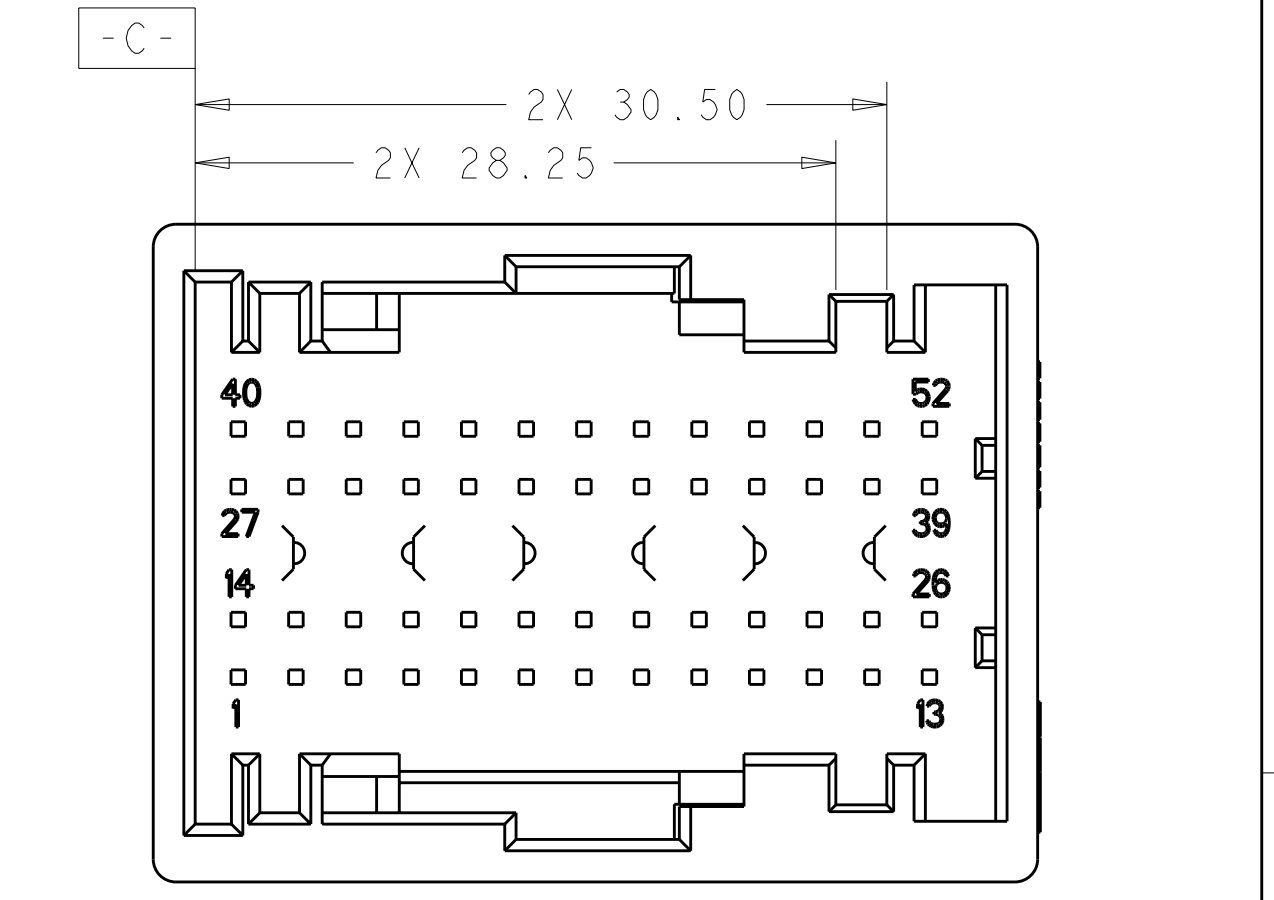
LOC	DIST	REV	DESCRIPTION	DATE	DWN	APVD
IN	00		SEE SHEET 1			



KEY OPTION A-E

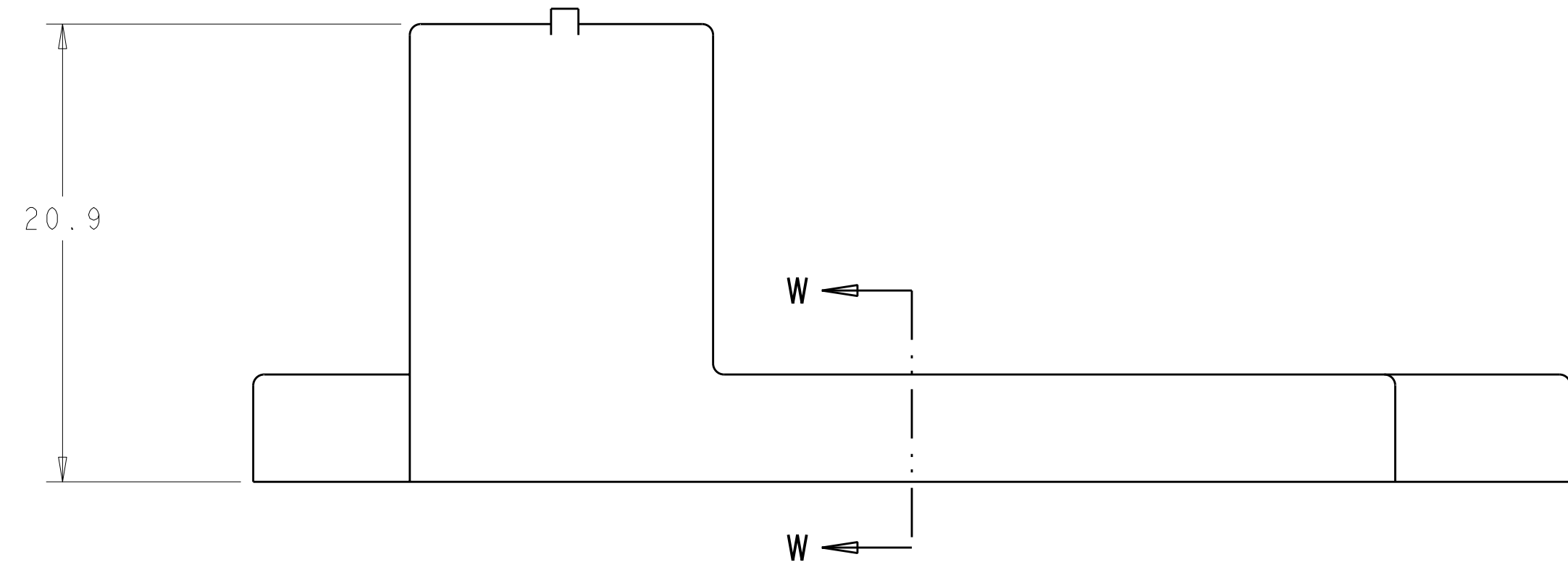


KEY OPTION B-E

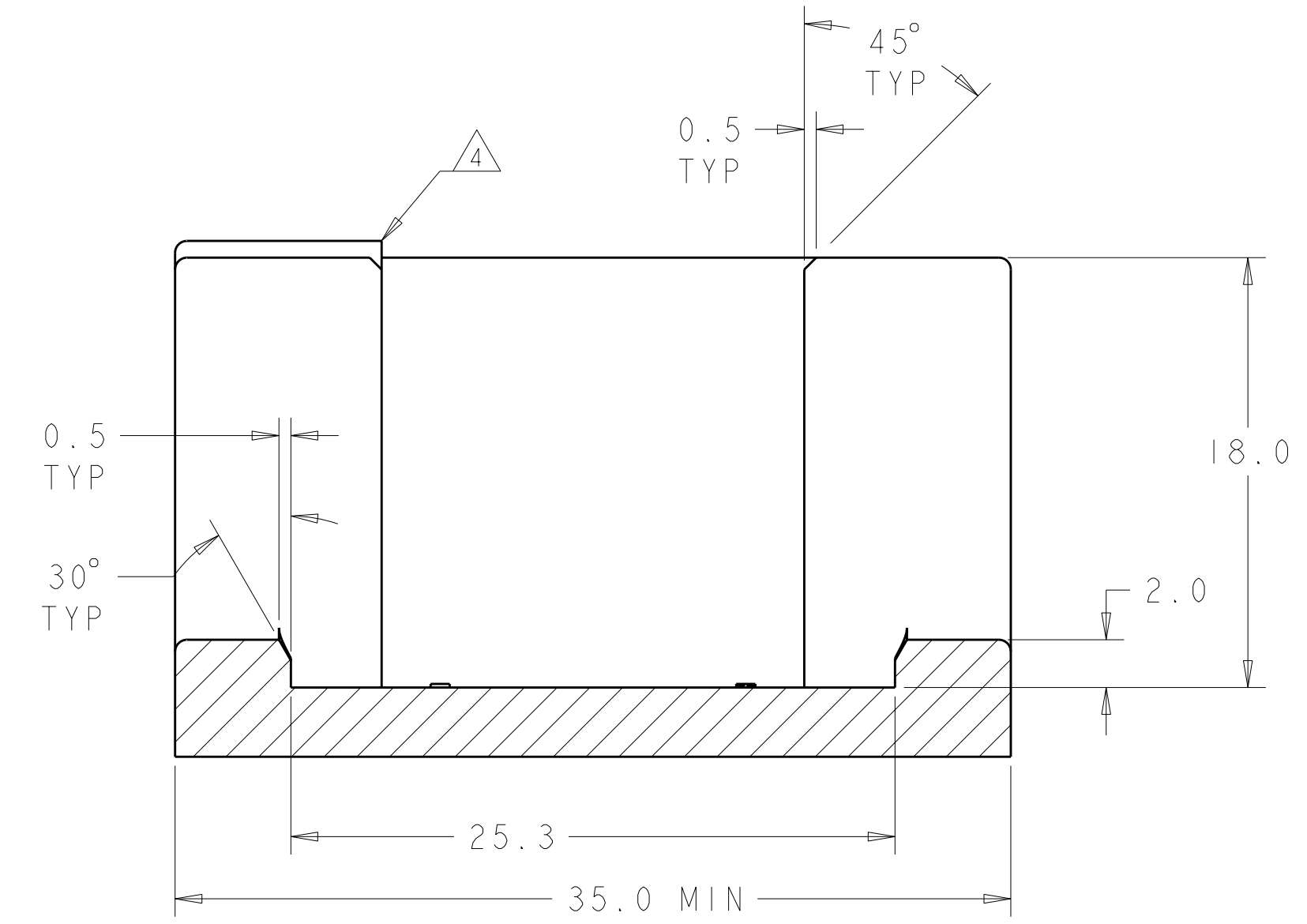


KEY OPTION B-F

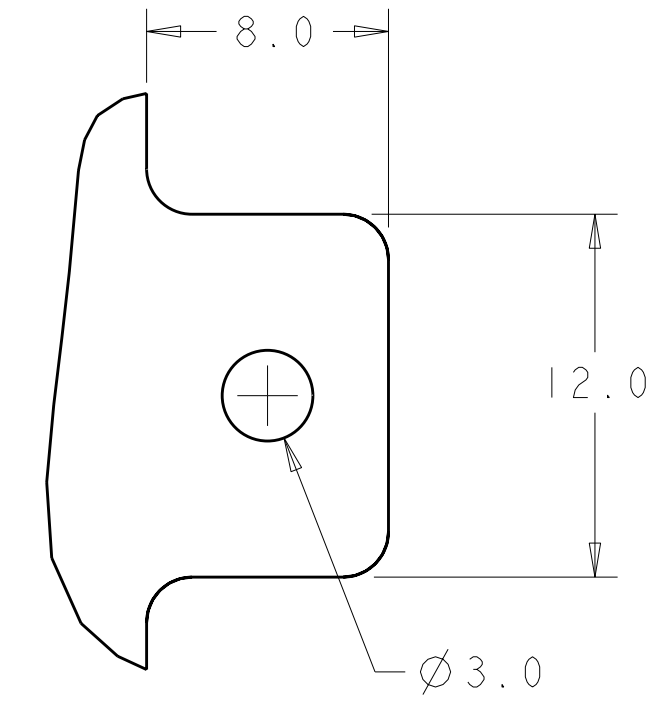
KEYING OPTIONS



52 POSITION CONNECTOR FIXTURE
 (SHOWN WITH CLEARANCE FOR ALL KEY OPTIONS)



SECTION W-W



DETAIL X
 SCALE 4:1

- CONNECTOR FIXTURE SHOULD BE USED TO VERIFY THE RECEPTACLE CARRIER IS PROPERLY SEATED AND LOCKED INTO THE SHIELD ASSEMBLY. THE CONNECTOR WILL NOT FULLY MATE TO THE FIXTURE IF THE RECEPTACLE CARRIER IS OUT OF POSITION.
- RECOMMEND USING A SENSING DEVICE FOR VERIFYING FULLY MATED CONNECTORS. SUCH A DEVICE IS AT THE CUSTOMERS DISCUSSION.
- RECOMMENDED MATERIAL: HARDENED STEEL.
- NO RADII OR CHAMFER PERMITTED IN SPECIFIED AREA. MUST MAINTAIN 90° EDGE.
- RADII TO BE 0.5 UNLESS OTHERWISE SPECIFIED.
- OPTIONAL CONSTRAINT FEATURE.

DIMENSIONS: mm 		TOLERANCES UNLESS OTHERWISE SPECIFIED: 9 PLC ± 1 PLC ±0.2 3 PLC ±0.05 5 PLC ± 4 PLC ± ANGLES ± FINISH ±1*		DWN: FOLTZ 24OCT2007 CHK: G. MARTIN 24OCT2007 APVD: G. MARTIN 24OCT2007 NAME: SHIELD ASSEMBLY, 52 POSITION, LEVER ASSISTED, 0.64mm GENERATION Y, CONNECTOR SIZE: A11 00779 C=1924346 SCALE: 4:1 SHEET 2 OF 2 REV A2	
MATERIAL:		FINISH:		Tyco Electronics Harrisburg, PA 17105-3608	

X-ON Electronics

Largest Supplier of Electrical and Electronic Components

Click to view similar products for [Automotive Connectors](#) category:

Click to view products by [TE Connectivity](#) manufacturer:

Other Similar products are found below :

[003-018-000](#) [60403001](#) [60993906-B](#) [M902-2131](#) [M902-2161](#) [M902-2344](#) [72.330.1035.1](#) [73.353.4028.0](#) [F119300-B](#) [F166900](#) [F258300-B](#)
[F358300-B](#) [F407400](#) [F444110](#) [F487000](#) [F509500B-B](#) [827153-1](#) [8N1515-32-24P](#) [9-1326729-8](#) [925474-1](#) [928905-1](#) [964562-4](#) [968782-1](#)
[GT17SA-8DS-HU](#) [98891-1012](#) [98947-1016](#) [12004147](#) [12004475-L](#) [12010290](#) [12010309-B](#) [12015454](#) [12020219-B](#) [12041318-B](#) [12052225-](#)
[L](#) [12052466](#) [12064869](#) [12004327-B](#) [12015308](#) [12015384](#) [12015909](#) [1-21030-1](#) [12041254](#) [12041318](#) [12047946-B](#) [12047957](#) [12047957-L](#)
[12059473](#) [12066261](#) [12110546](#) [12110546-B](#)