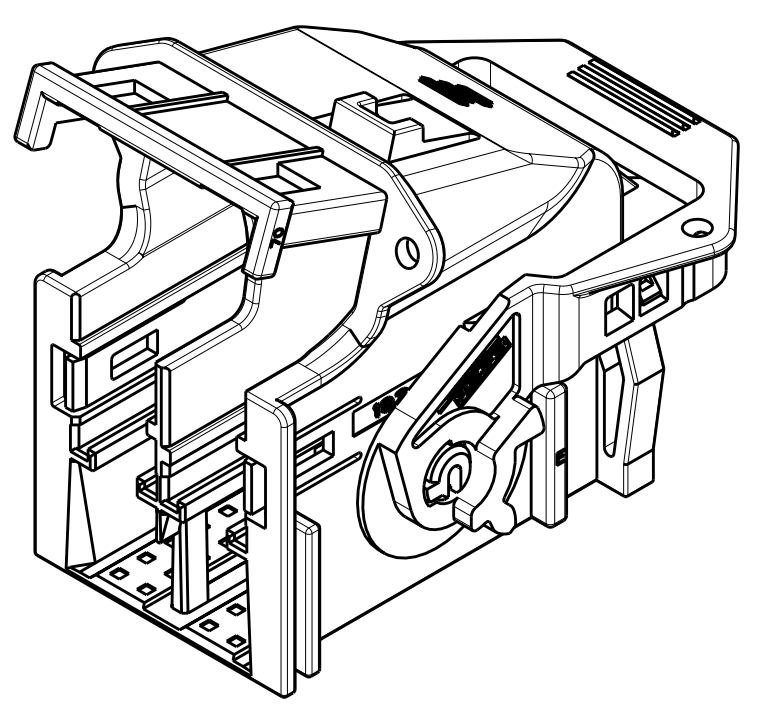
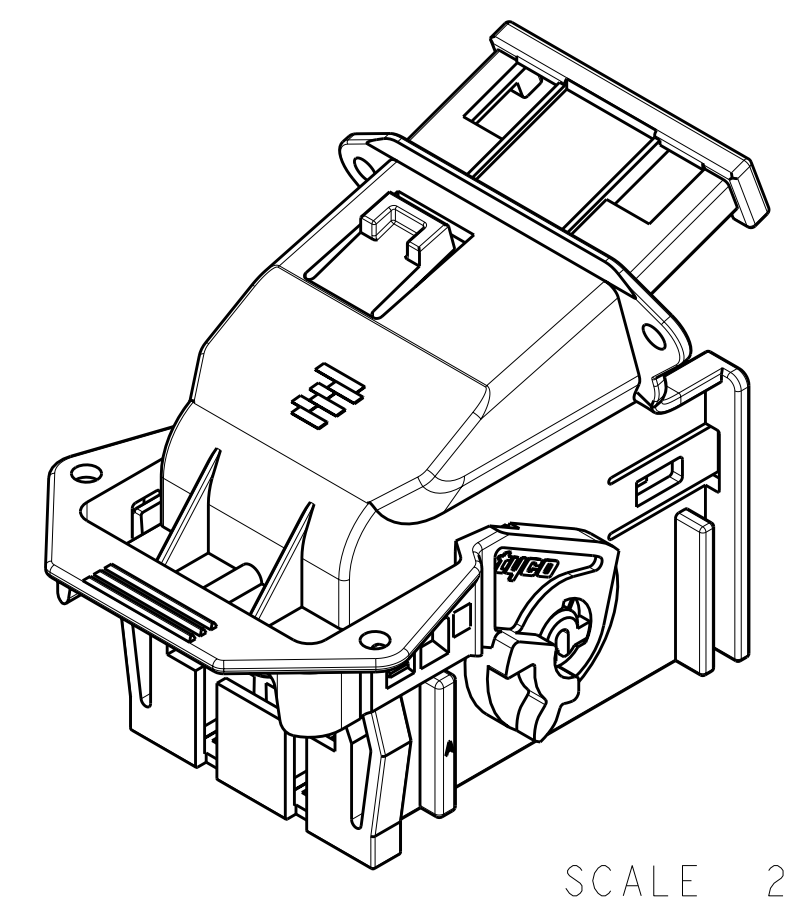
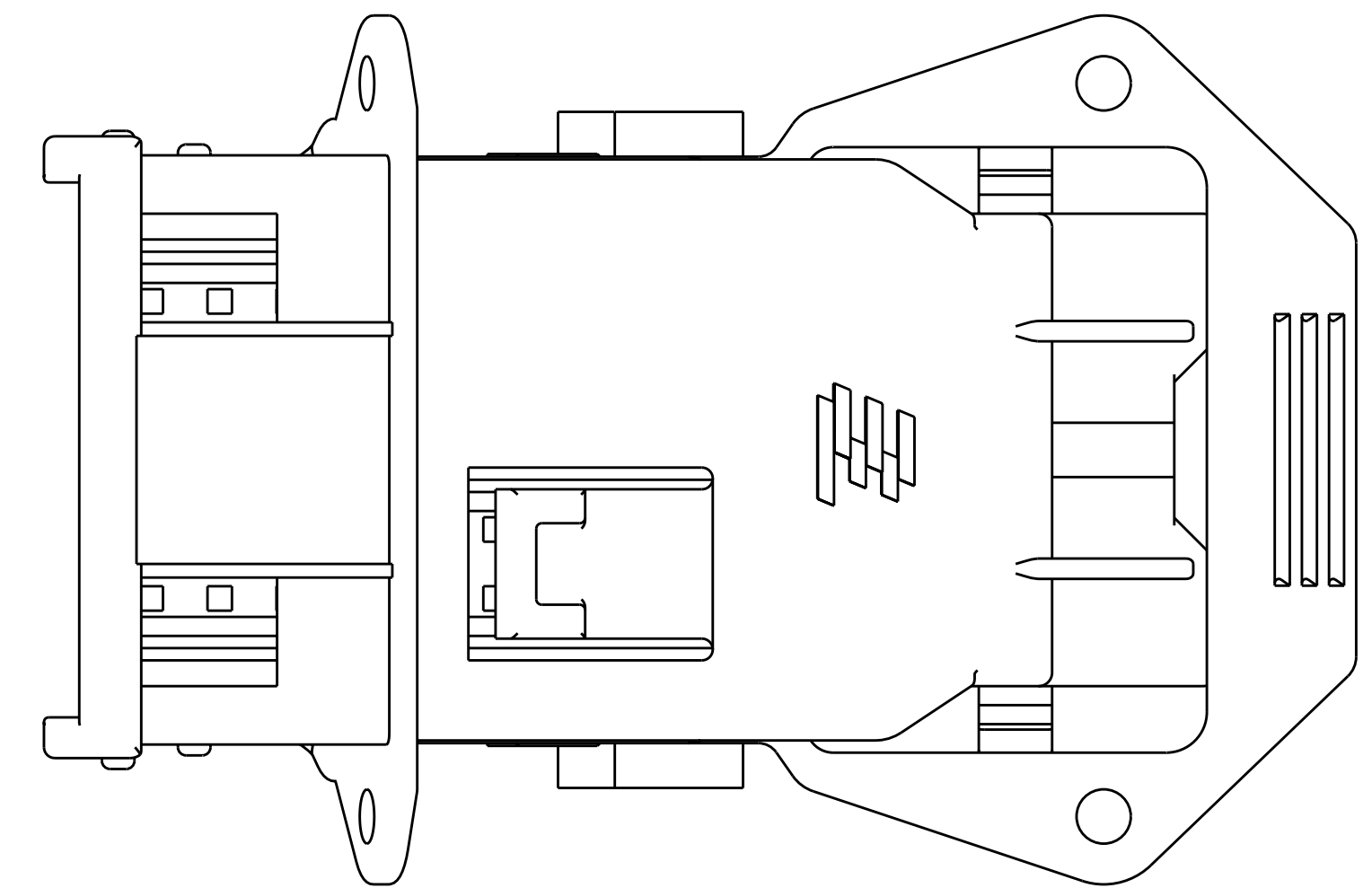


LOC	DIST	REVISIONS			
IN	00	REV	DATE	BY	APPD
		A	RELEASED PER ECO-08-001177	18JAN2008	RGV RDH
		A1	REVISED PER ECO-08-018839	31JUL2008	DLD CJS
		A2	REVISED PER ECO-09-009935	05MAY2009	DLD JLA

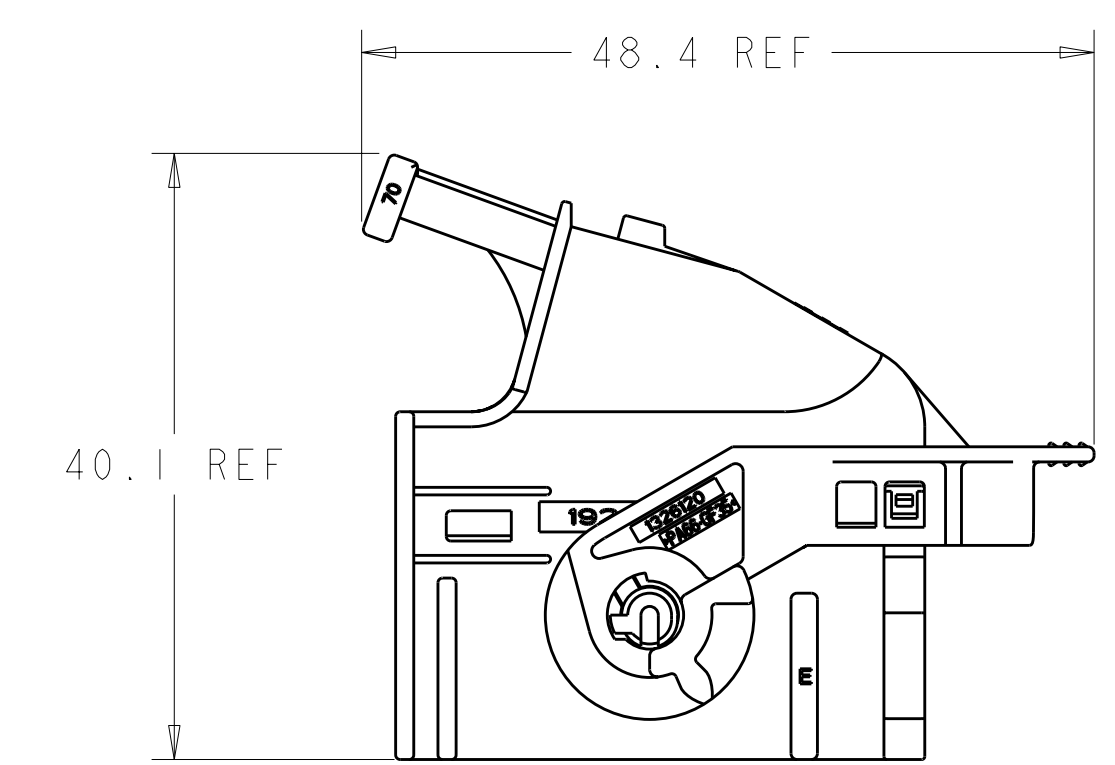
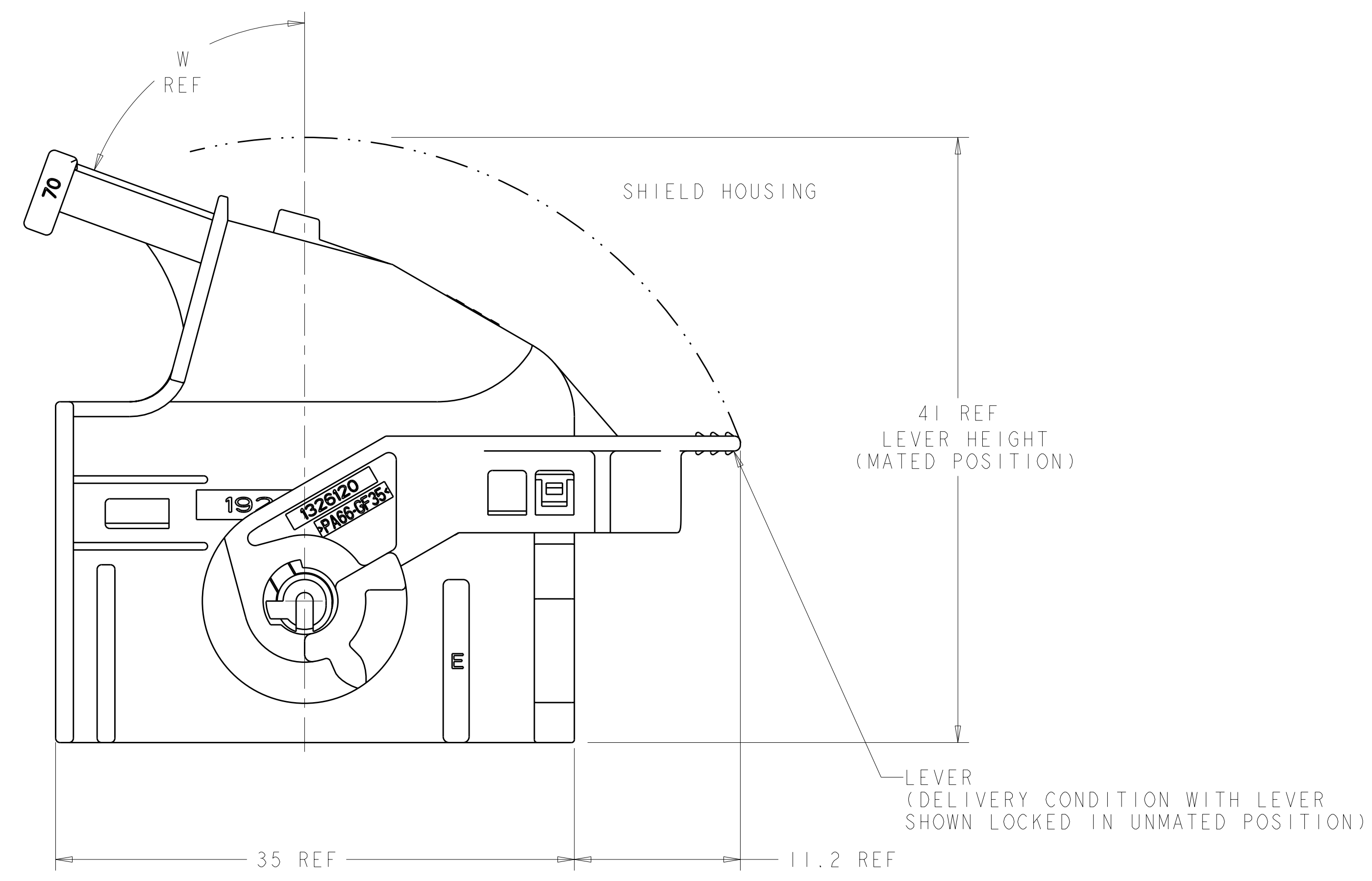
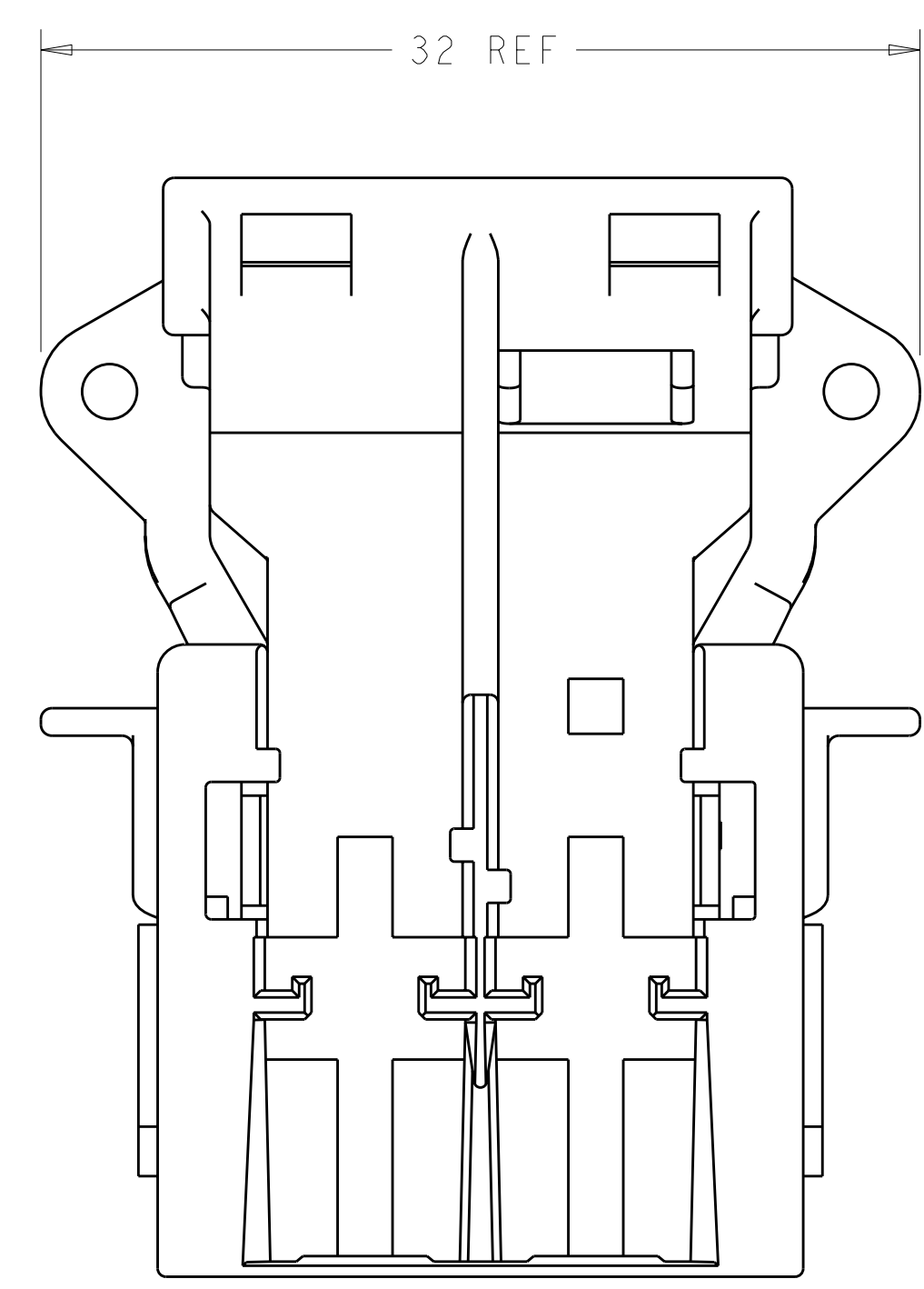


SCALE 2:1

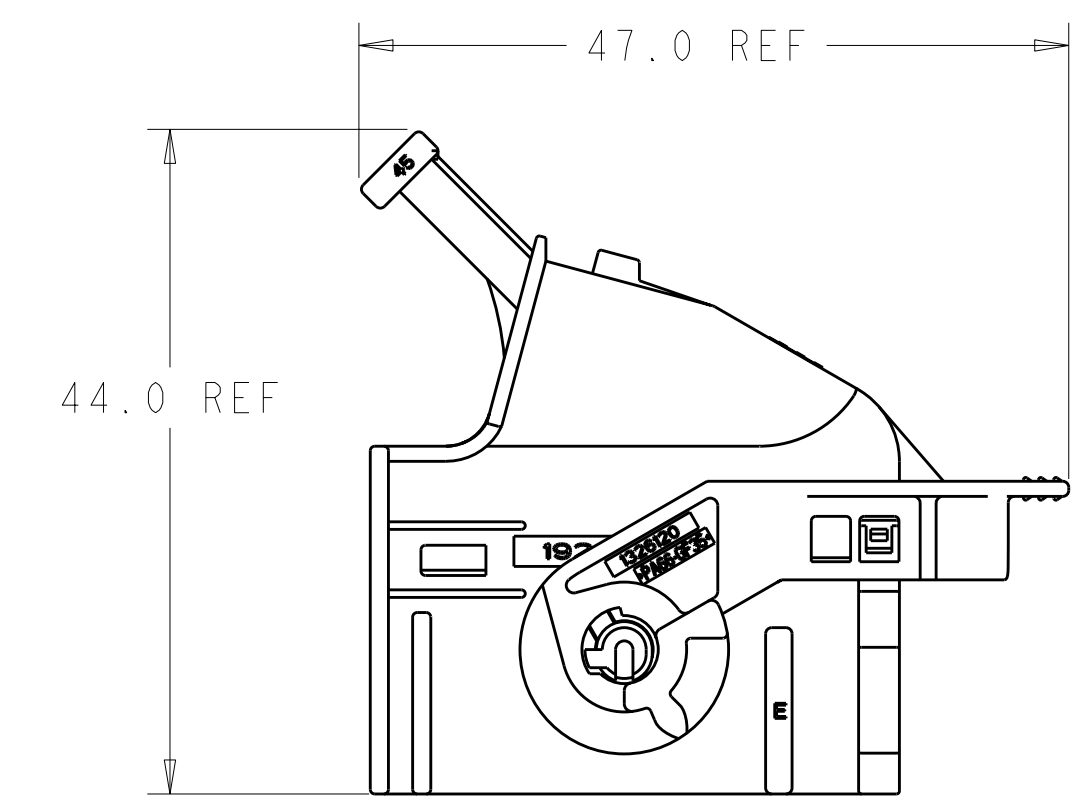


SCALE 2:1

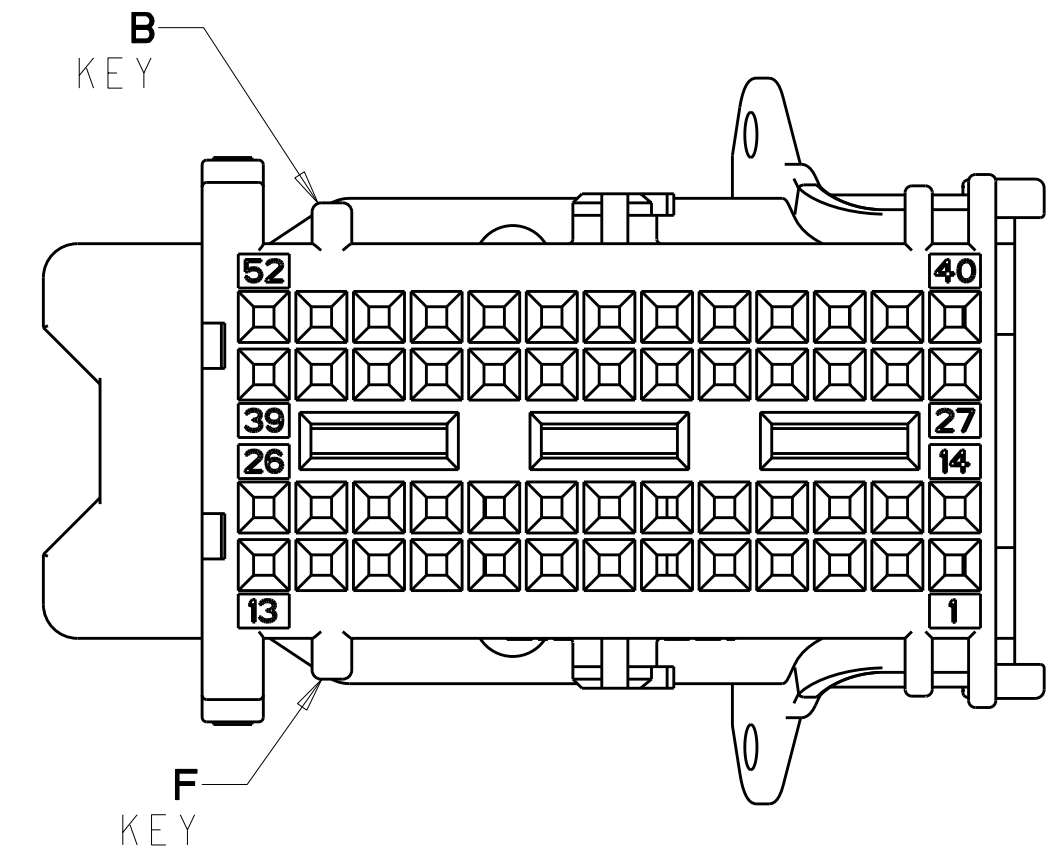
- △ MATERIAL: SHIELD - 35% GLASS REINFORCED NYLON.
SEE TABLE BELOW FOR COLOR.
LEVER - 35% GLASS REINFORCED NYLON.
COLOR: DARK GREY.
- 2. REFERENCE: RECEPTACLE HOUSING, 1924136-1 & 1924136-2,
USED WITH THIS ASSEMBLY.
- 3. REFERENCE: INTERFACE DETAIL PER DRAWING NO.
AAU01000-2962-0010 AND TE DRAWING NO. 1438985-GEN.



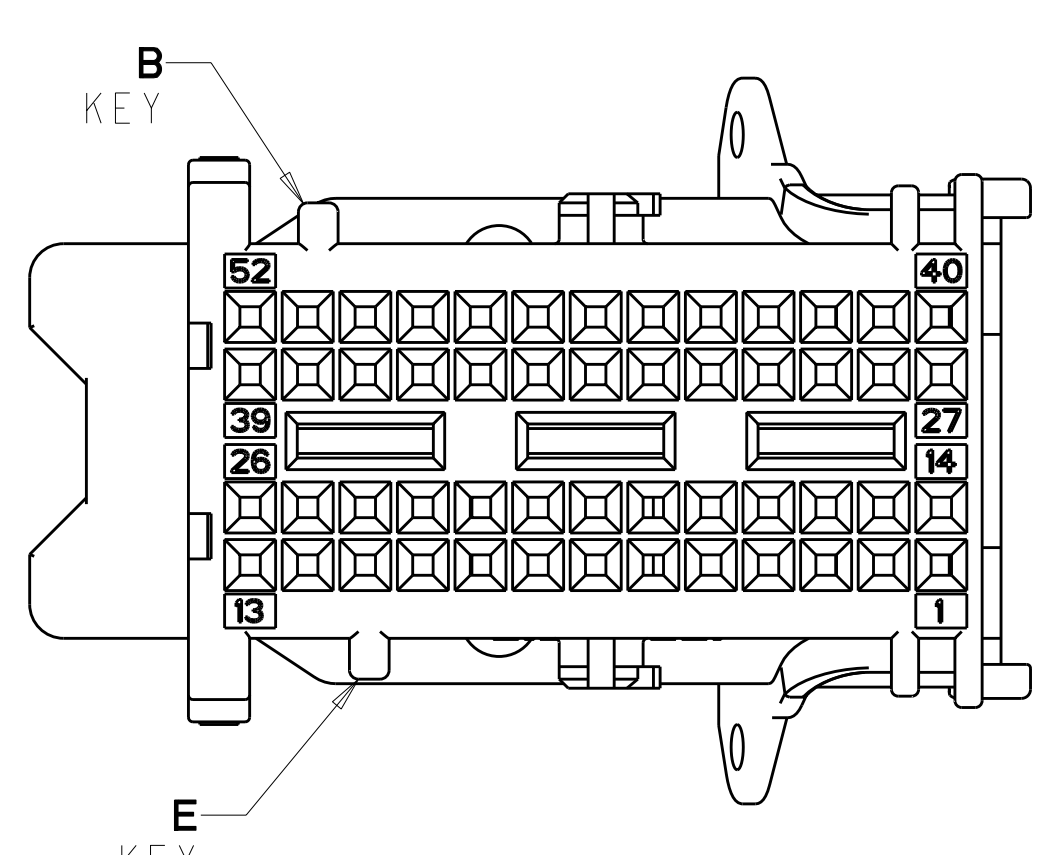
70° WIRE EXIT
SCALE 2:1



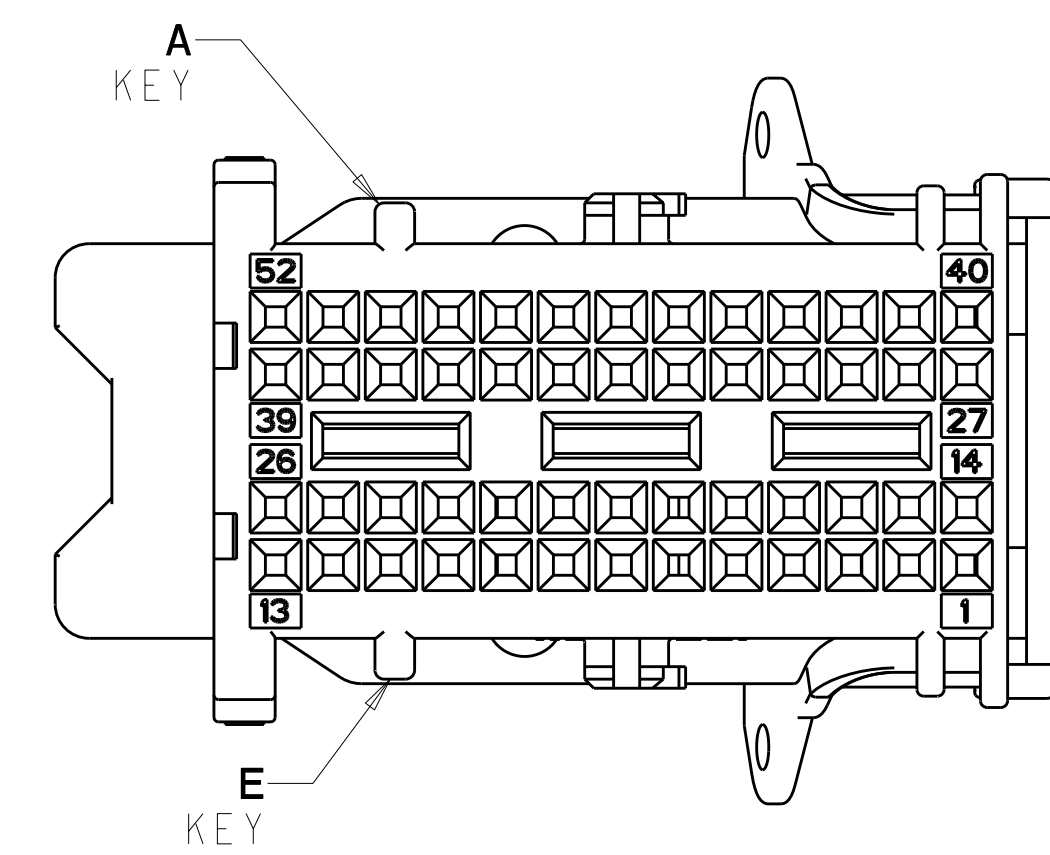
45° WIRE EXIT
SCALE 2:1



KEY B-F SHOWN FOR
ASSEMBLY 1924346-3
& 1924346-6



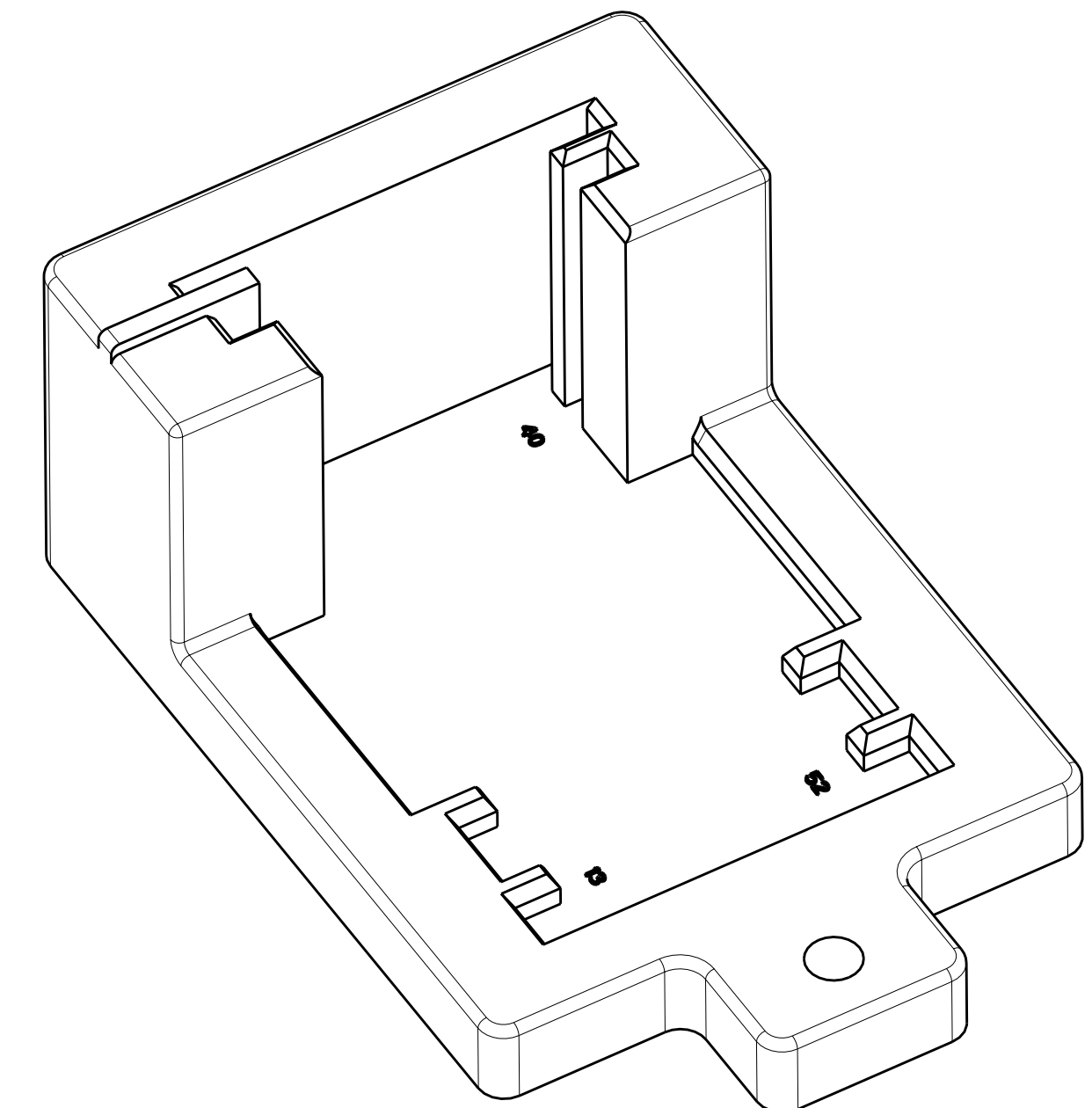
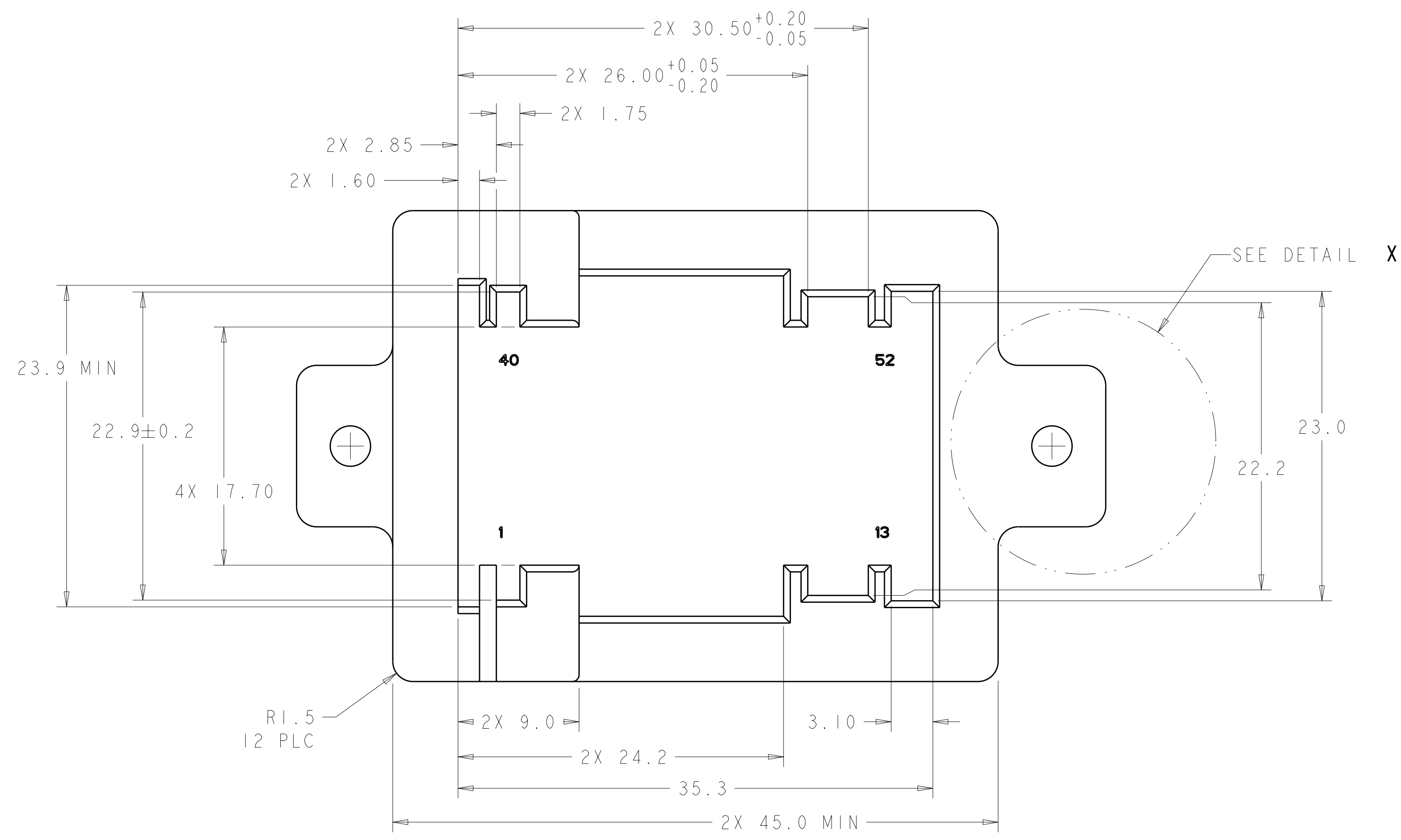
KEY B-E SHOWN FOR
ASSEMBLY 1924346-2
& 1924346-5



KEY A-E SHOWN FOR
ASSEMBLY 1924346-1
& 1924346-4

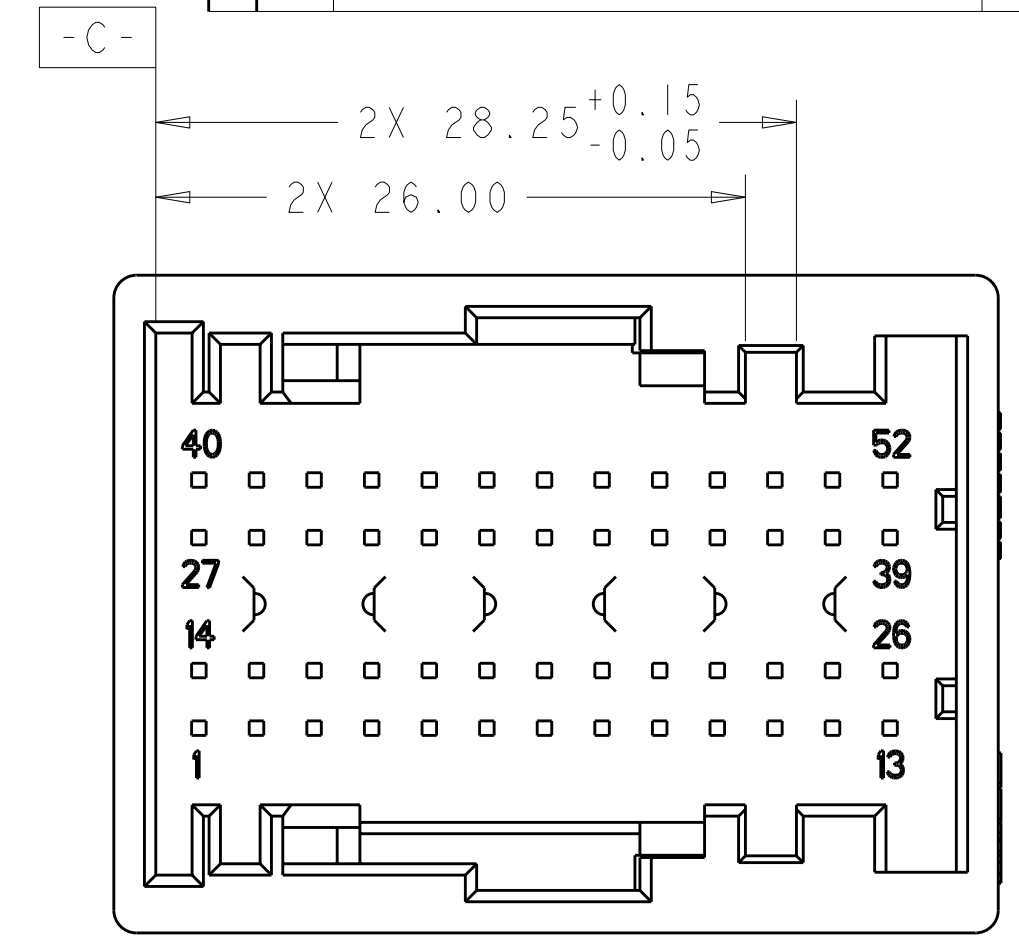
DIM W	COLOR	KEYING OPT.	PART NUMBER
45°	BLUE	B-F	1924346-6
45°	GRAY	B-E	1924346-5
45°	BLACK	A-E	1924346-4
70°	BLUE	B-F	1924346-3
70°	GRAY	B-E	1924346-2
70°	BLACK	A-E	1924346-1

DIMENSIONS: mm 		TOLERANCES UNLESS OTHERWISE SPECIFIED: 9 PLC ± 1 PLC ±0.2 5 PLC ±0.05 4 PLC ± ANGLES ± FINISH		DWN: FOLTZ 24OCT2007 CHK: G. MARTIN 24OCT2007 APVD: G. MARTIN 24OCT2007 NAME: SHIELD ASSEMBLY, 52 POSITION, LEVER ASSISTED, 0.64mm GENERATION Y, CONNECTOR SIZE: CAGE CODE DRAWING NO. RESTRICTED TO: A1 00779 C=1924346 WEIGHT: CUSTOMER DRAWING	
MATERIAL: △		Tyco Electronics Harrisburg, PA 17105-3608		SCALE: 4:1 SHEET 1 OF 2 REV A2	

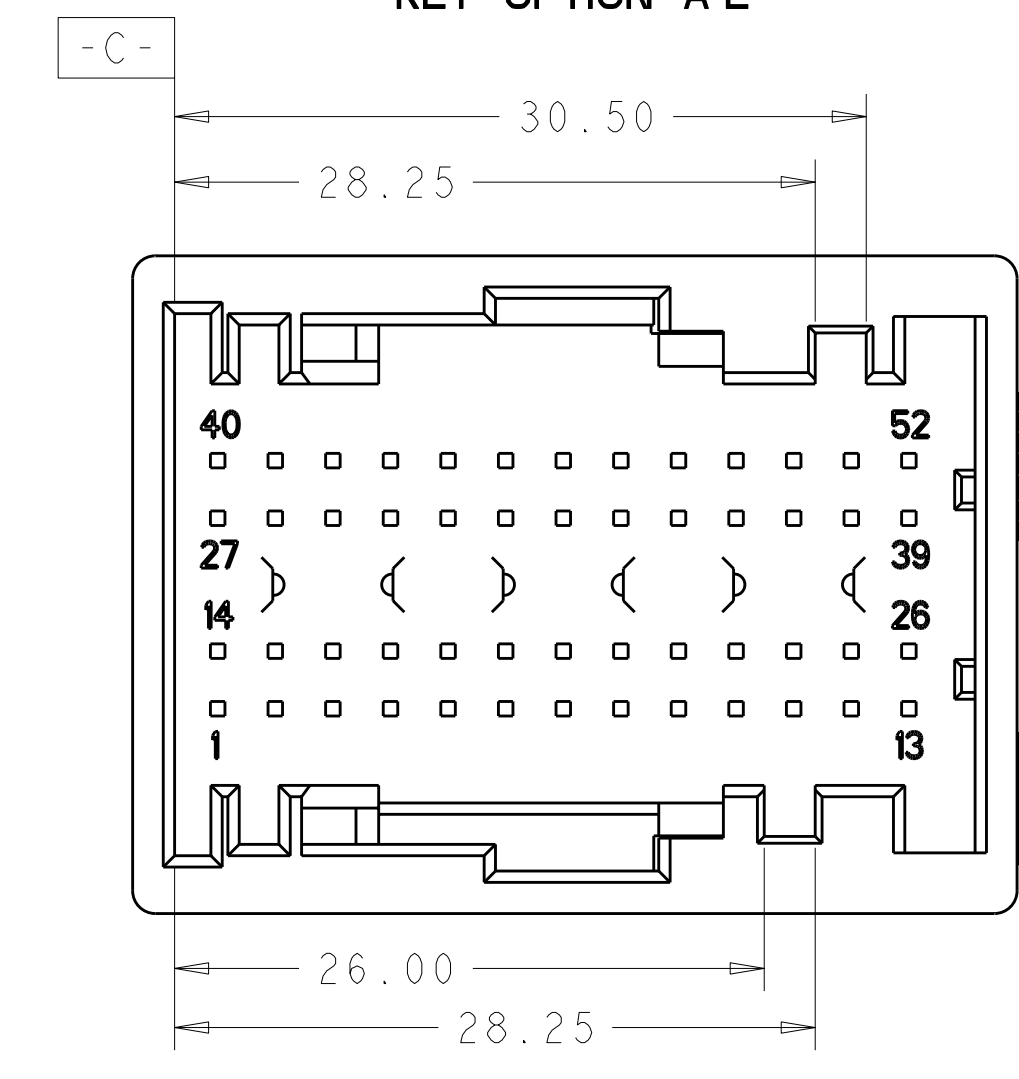


SCALE 3:1

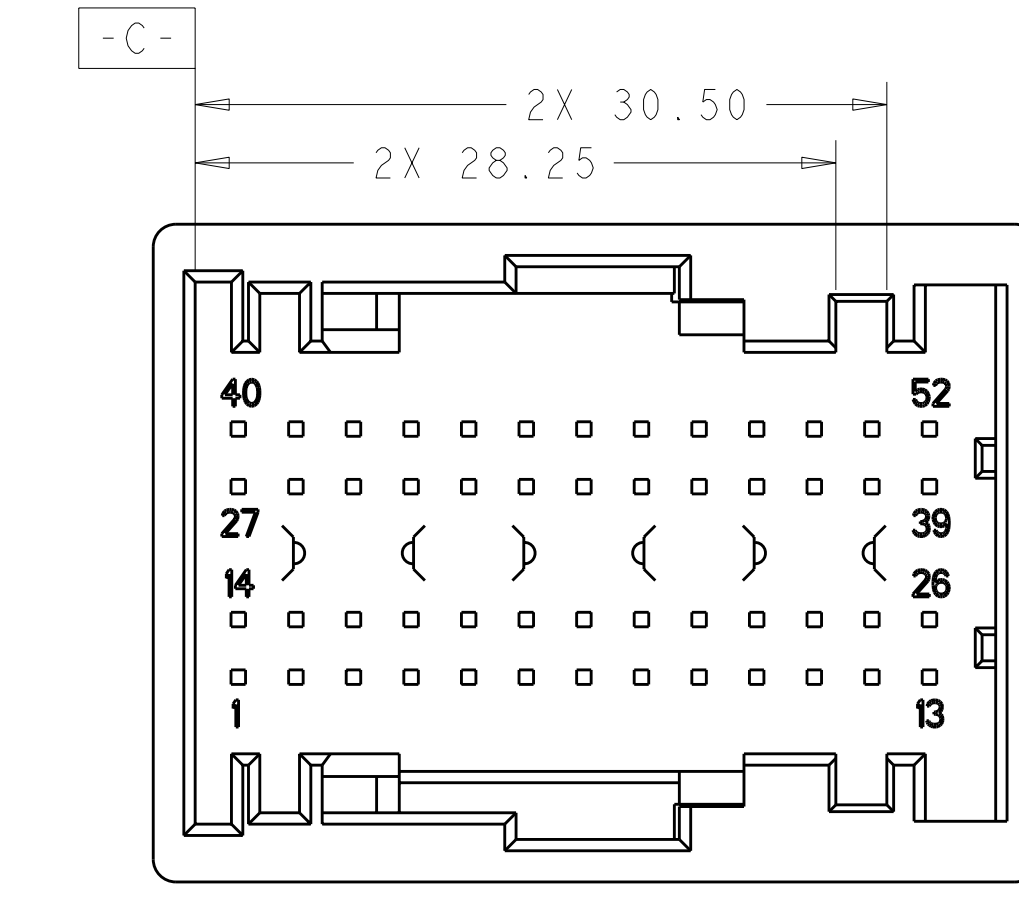
LOC	DIST	REV	DESCRIPTION	DATE	OWN	APVD
1N	00		SEE SHEET 1			



KEY OPTION A-E

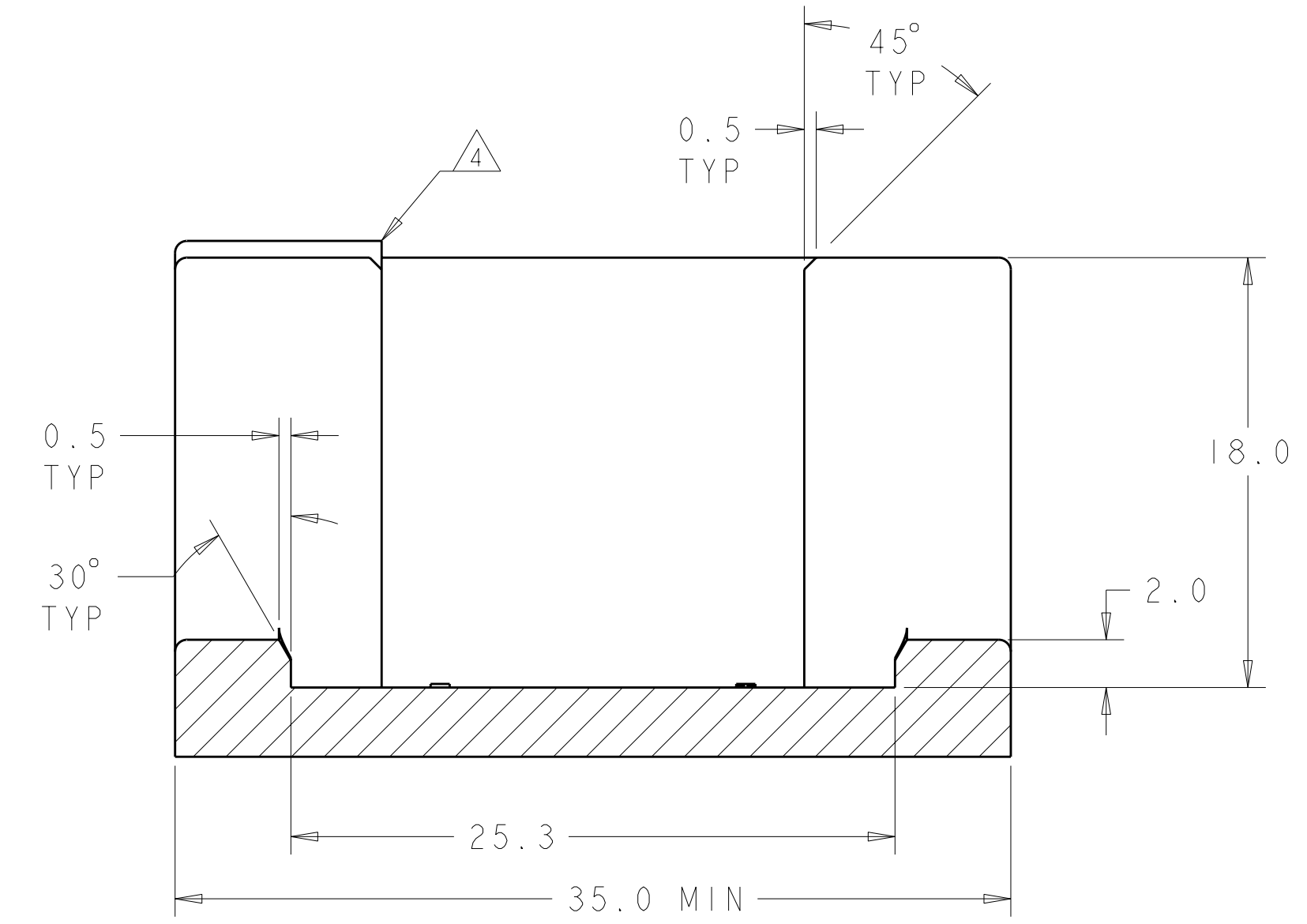
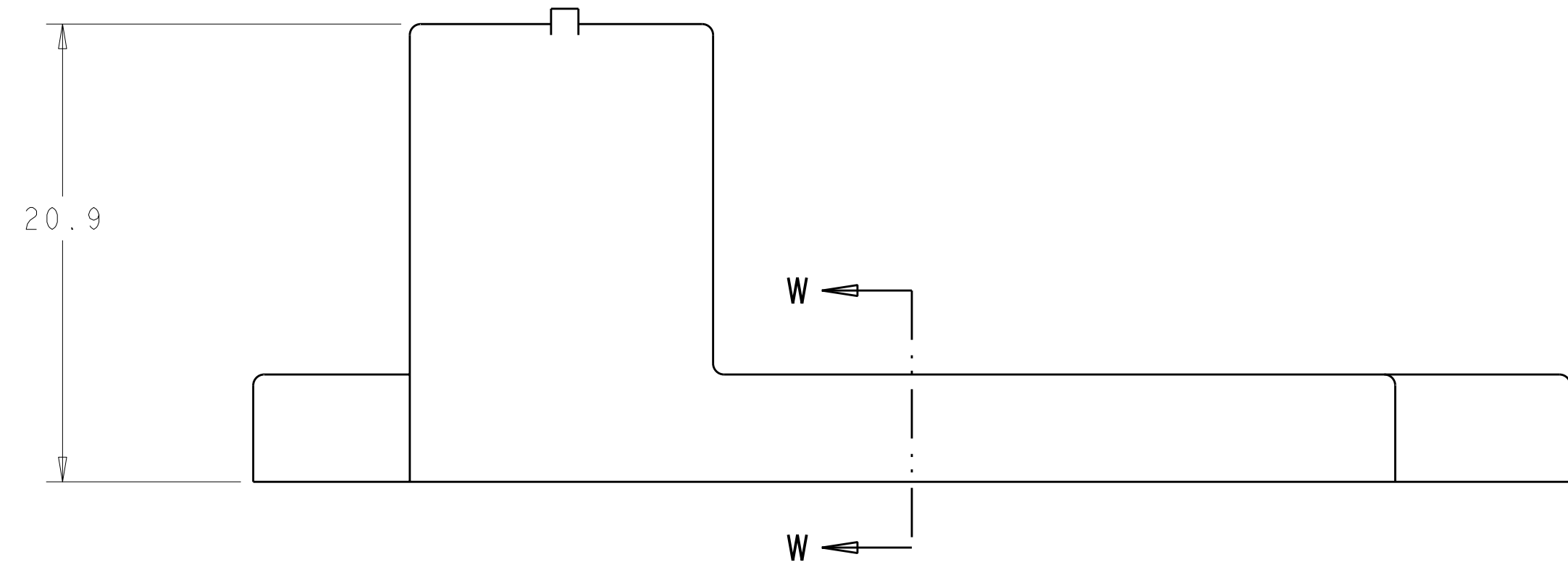


KEY OPTION B-E

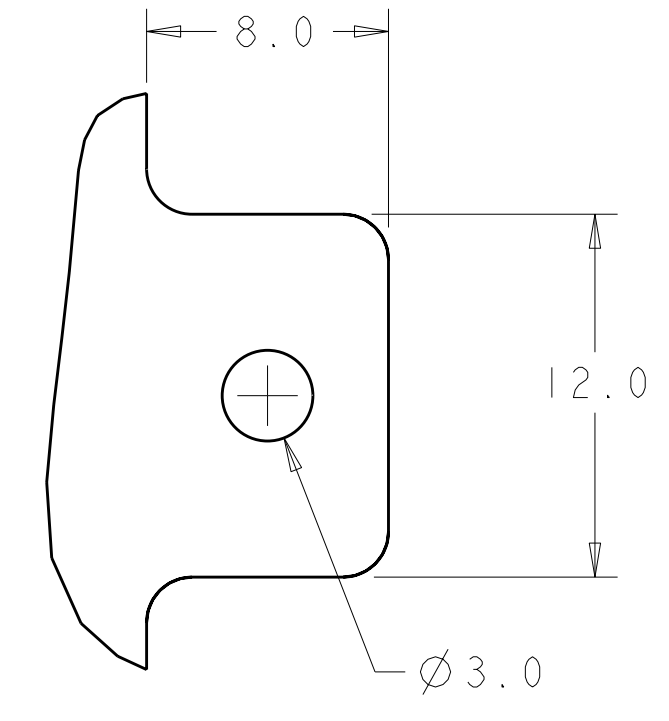


KEY OPTION B-F

KEYING OPTIONS



SECTION W-W



DETAIL X
SCALE 4:1

52 POSITION CONNECTOR FIXTURE
 (SHOWN WITH CLEARANCE FOR ALL KEY OPTIONS)

- CONNECTOR FIXTURE SHOULD BE USED TO VERIFY THE RECEPTACLE CARRIER IS PROPERLY SEATED AND LOCKED INTO THE SHIELD ASSEMBLY. THE CONNECTOR WILL NOT FULLY MATE TO THE FIXTURE IF THE RECEPTACLE CARRIER IS OUT OF POSITION.
- RECOMMEND USING A SENSING DEVICE FOR VERIFYING FULLY MATED CONNECTORS. SUCH A DEVICE IS AT THE CUSTOMERS DISCRETION.
- RECOMMENDED MATERIAL: HARDENED STEEL.
- NO RADII OR CHAMFER PERMITTED IN SPECIFIED AREA. MUST MAINTAIN 90° EDGE.
- RADII TO BE 0.5 UNLESS OTHERWISE SPECIFIED.
- OPTIONAL CONSTRAINT FEATURE.

DIMENSIONS: mm 		TOLERANCES UNLESS OTHERWISE SPECIFIED: 9 PLC ± 1 PLC ±0.2 3 PLC ±0.05 5 PLC ± 4 PLC ± ANGLES ± FINISH ±1*		DWN: FOLTZ 24OCT2007 CHK: G. MARTIN 24OCT2007 APVD: G. MARTIN 24OCT2007		Tyco Electronics Harrisburg, PA 17105-3608	
MATERIAL:		PRODUCT SPEC: SHIELD ASSEMBLY, 52 POSITION, LEVER ASSISTED, 0.64mm GENERATION Y, CONNECTOR		NAME: SHIELD ASSEMBLY, 52 POSITION, LEVER ASSISTED, 0.64mm GENERATION Y, CONNECTOR		SIZE: CAGE CODE DRAWING NO: A11 00779 C=1924346	
CUSTOMER DRAWING		SCALE: 4:1		SHEET 2 OF 2		REV A2	

X-ON Electronics

Largest Supplier of Electrical and Electronic Components

Click to view similar products for [Automotive Connectors](#) category:

Click to view products by [TE Connectivity](#) manufacturer:

Other Similar products are found below :

[003-018-000](#) [60403001](#) [60993906-B](#) [M902-2131](#) [M902-2161](#) [M902-2344](#) [72.330.1035.1](#) [73.353.4028.0](#) [F119300-B](#) [F166900](#) [F258300-B](#)
[F358300-B](#) [F407400](#) [F444110](#) [F487000](#) [F509500B-B](#) [827153-1](#) [8N1515-32-24P](#) [9-1326729-8](#) [925474-1](#) [928905-1](#) [964562-4](#) [968782-1](#)
[GT17SA-8DS-HU](#) [98891-1012](#) [98947-1016](#) [12004147](#) [12004475-L](#) [12010290](#) [12010309-B](#) [12015454](#) [12020219-B](#) [12041318-B](#) [12052225-](#)
[L](#) [12052466](#) [12064869](#) [12004327-B](#) [12015308](#) [12015384](#) [12015909](#) [1-21030-1](#) [12041254](#) [12041318](#) [12047946-B](#) [12047957](#) [12047957-L](#)
[12059473](#) [12066261](#) [12110546](#) [12110546-B](#)