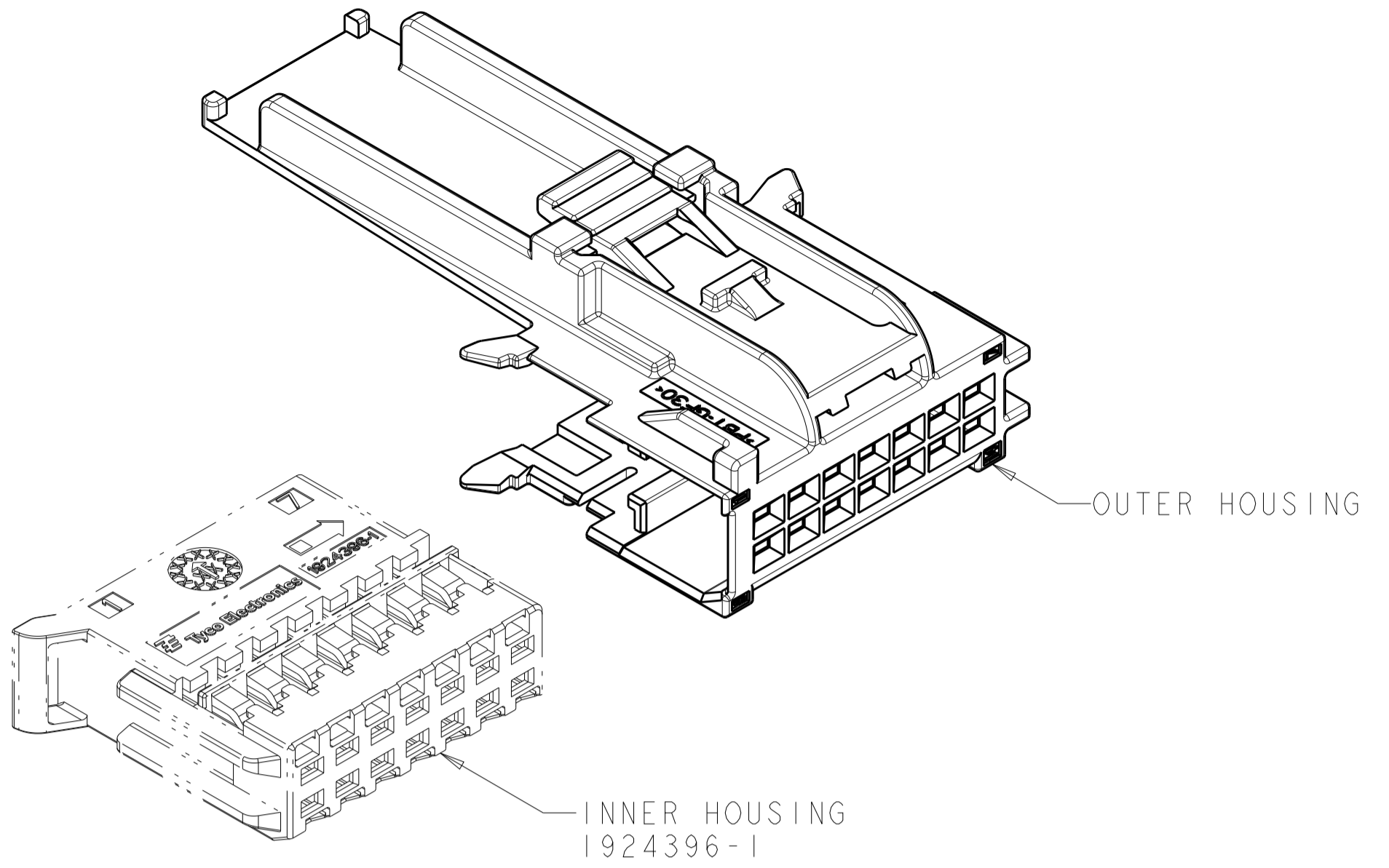
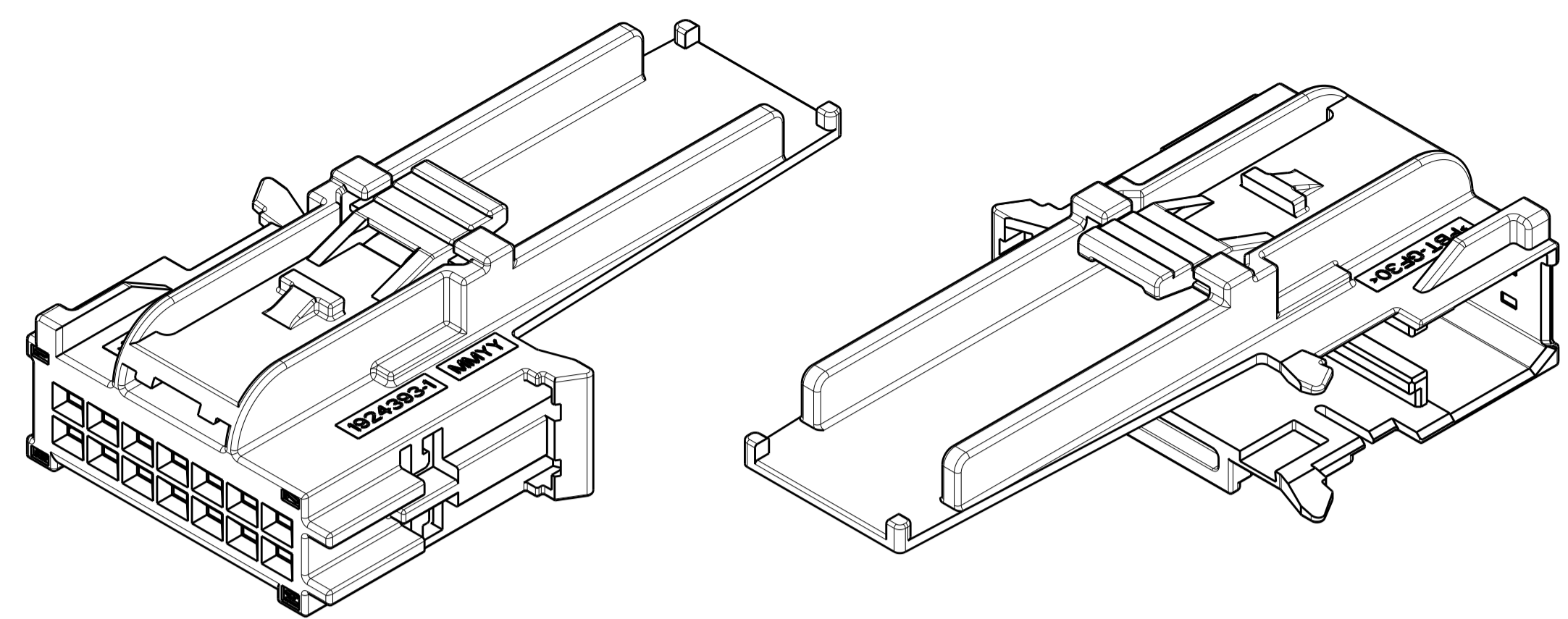


LOC		DIST		REVISIONS			
P	LTN	DESCRIPTION	DATE	DMN	APVD		
A		REVISED PER ECO-10-002458	04FEB2010	MBH	RH		
A1		REVISED PER ECO-11-005811	19APR2011	DLD	SLM		
A2		REVISED PER ECO-13-002965	06MAR2013	DLD	SLM		

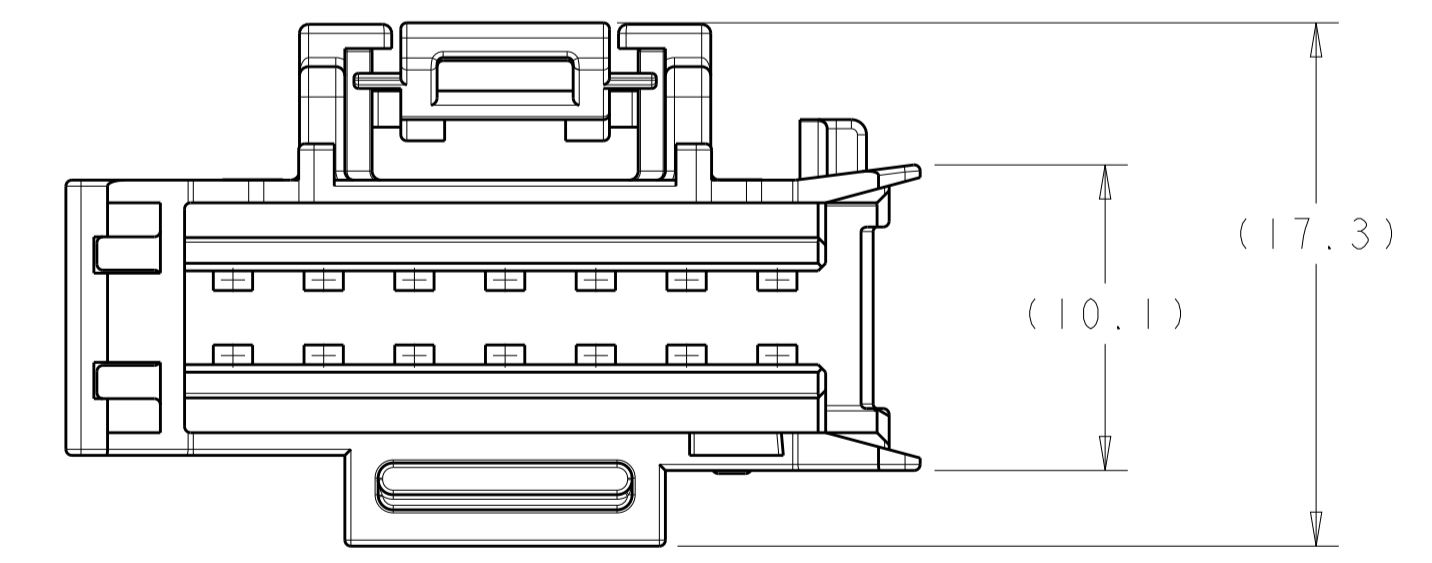
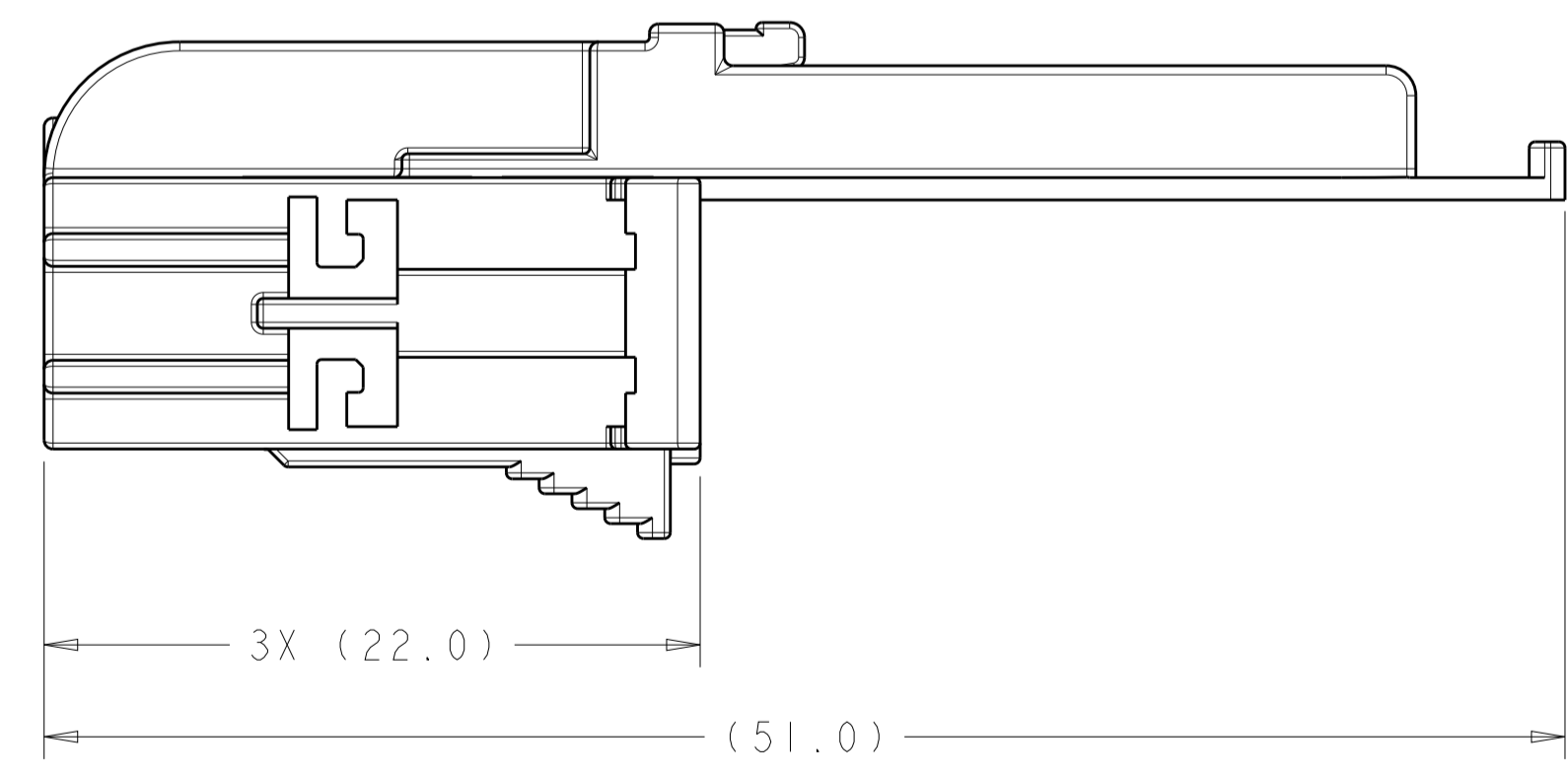
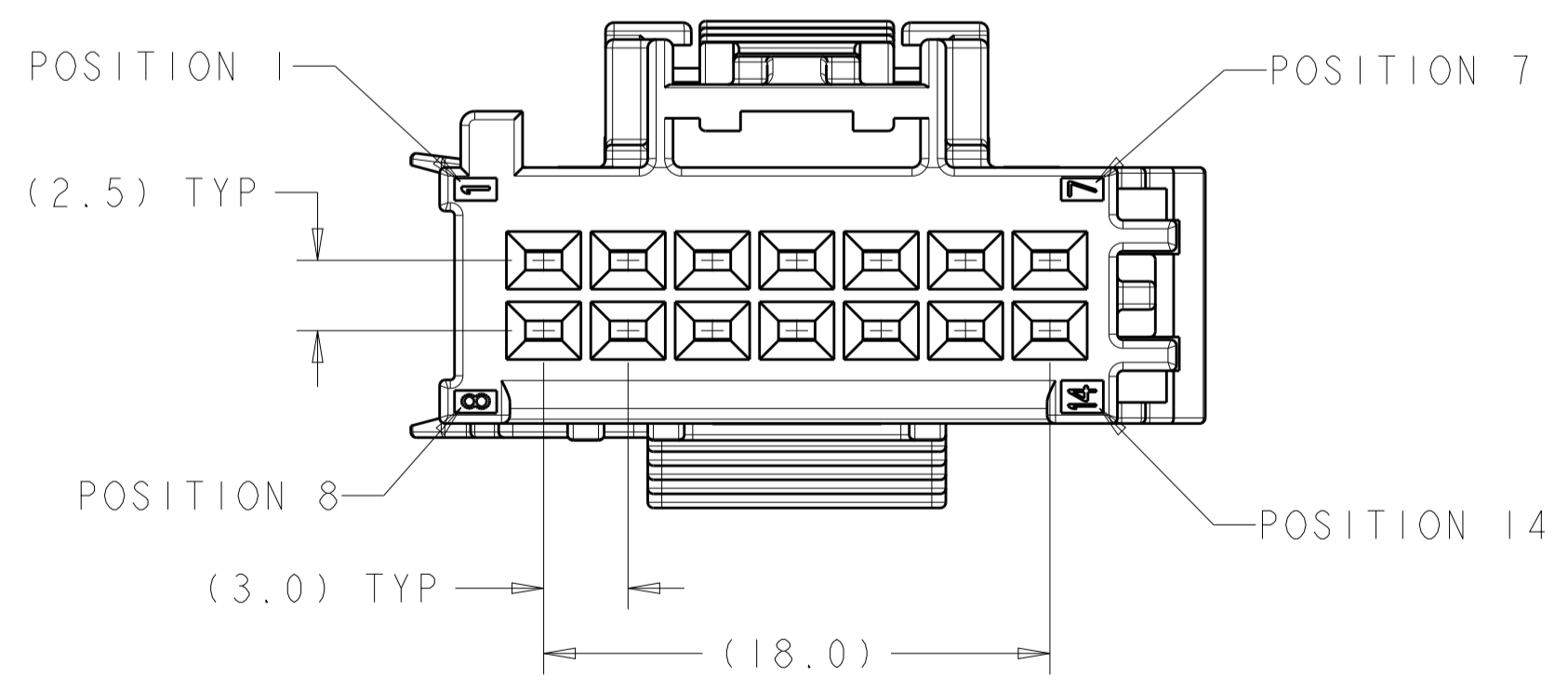
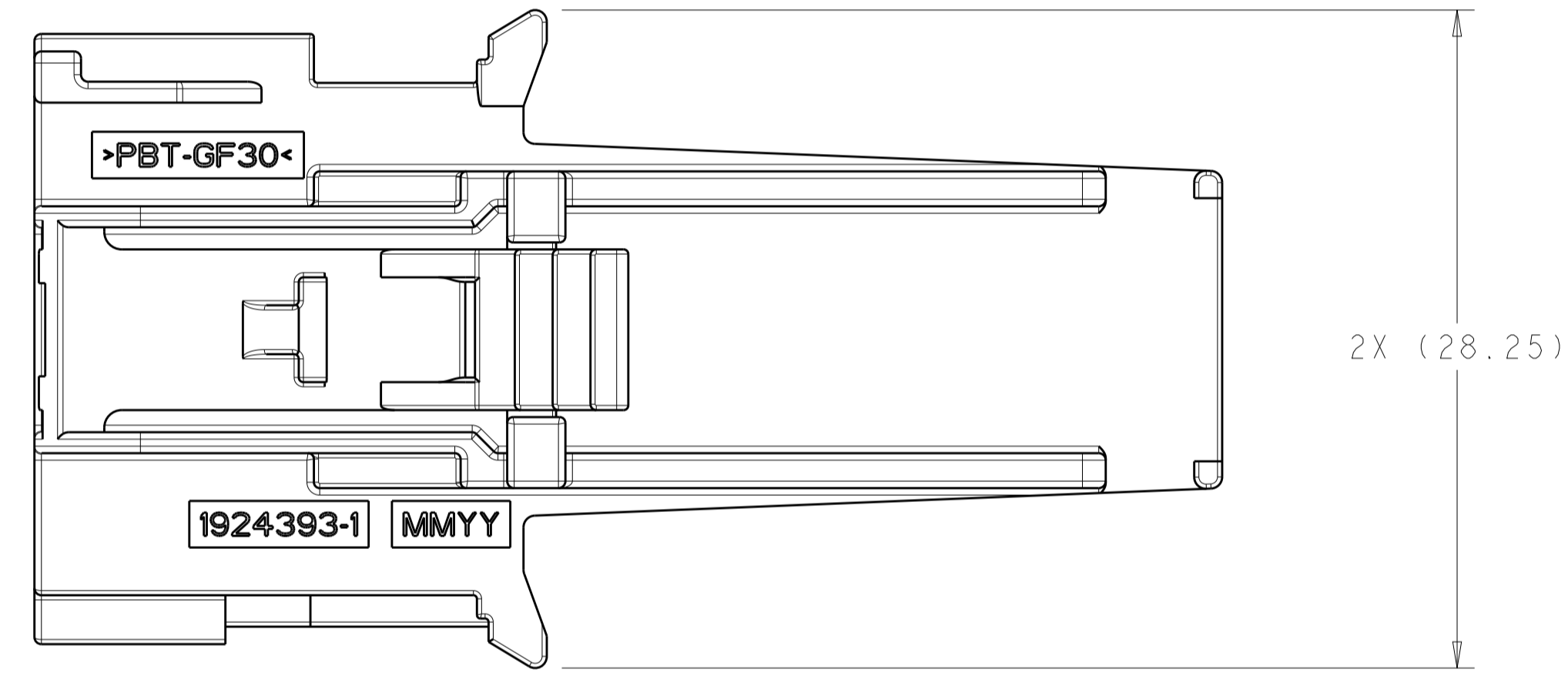


ASSEMBLY VIEW
 (COMPONENTS MUST BE PURCHASED SEPARATELY)
 SCALE 3:1



ISOMETRIC VIEWS
 SCALE 3:1

- 1. OUTER HOUSING: PBT, YELLOW, GLASS FILLED.
 INNER HOUSING: NYLON, BLACK, GLASS FILLED.
- 2. OUTER HOUSING WILL ACCEPT INNER HOUSING 1924396-1,
 SOLD SEPARATELY.
- 3. INNER HOUSING WILL ACCEPT MCON 1.2mm CLEAN BODY, STANDARD
 CRIMP, TERMINALS SHOWN ON DRAWING 1534326, SOLD SEPARATELY.
- 4. REFERENCE DCX INTERFACE DETAIL DRAWING A 204 004 18 99.
- 5. THIS PRODUCT IS VALIDATED TO USCAR-2 REV 5 CLASS T2 S1 V1.
- 6. NOTE DELETED.



1924393-1
 PART NUMBER

THIS DRAWING IS A CONTROLLED DOCUMENT.		DMN D. J. HARDY 13AUG2007	TE Connectivity NAME OUTER HOUSING, PLUG, 14 POSITION, UNSEALED, MCON 1.2mm
DIMENSIONS:		CHK G. MARTIN 13AUG2007	
mm	TOLERANCES UNLESS OTHERWISE SPECIFIED:	APVD G. MARTIN 13AUG2007	PRODUCT SPEC
0 PLC	±	APPLICATION SPEC	SIZE
1 PLC	±	WEIGHT	A100779C=1924393
2 PLC	±	CUSTOMER DRAWING	SCALE 4:1 SHEET 1 OF 1 REV A2
3 PLC	±		
4 PLC	±		
ANGLES	±		
FINISH	-		

X-ON Electronics

Largest Supplier of Electrical and Electronic Components

Click to view similar products for [Automotive Connectors](#) category:

Click to view products by [TE Connectivity](#) manufacturer:

Other Similar products are found below :

[003-018-000](#) [60403001](#) [60993906-B](#) [M902-2131](#) [M902-2161](#) [M902-2344](#) [72.330.1035.1](#) [73.353.4028.0](#) [F119300-B](#) [F166900](#) [F258300-B](#)
[F358300-B](#) [F407400](#) [F444110](#) [F487000](#) [F509500B-B](#) [827153-1](#) [8N1515-32-24P](#) [9-1326729-8](#) [925474-1](#) [928905-1](#) [964562-4](#) [968782-1](#)
[GT17SA-8DS-HU](#) [98891-1012](#) [98947-1016](#) [12004147](#) [12004475-L](#) [12010290](#) [12010309-B](#) [12015454](#) [12020219-B](#) [12041318-B](#) [12052225-](#)
[L](#) [12052466](#) [12064869](#) [12004327-B](#) [12015308](#) [12015384](#) [12015909](#) [1-21030-1](#) [12041254](#) [12041318](#) [12047946-B](#) [12047957](#) [12047957-L](#)
[12059473](#) [12066261](#) [12110546](#) [12110546-B](#)