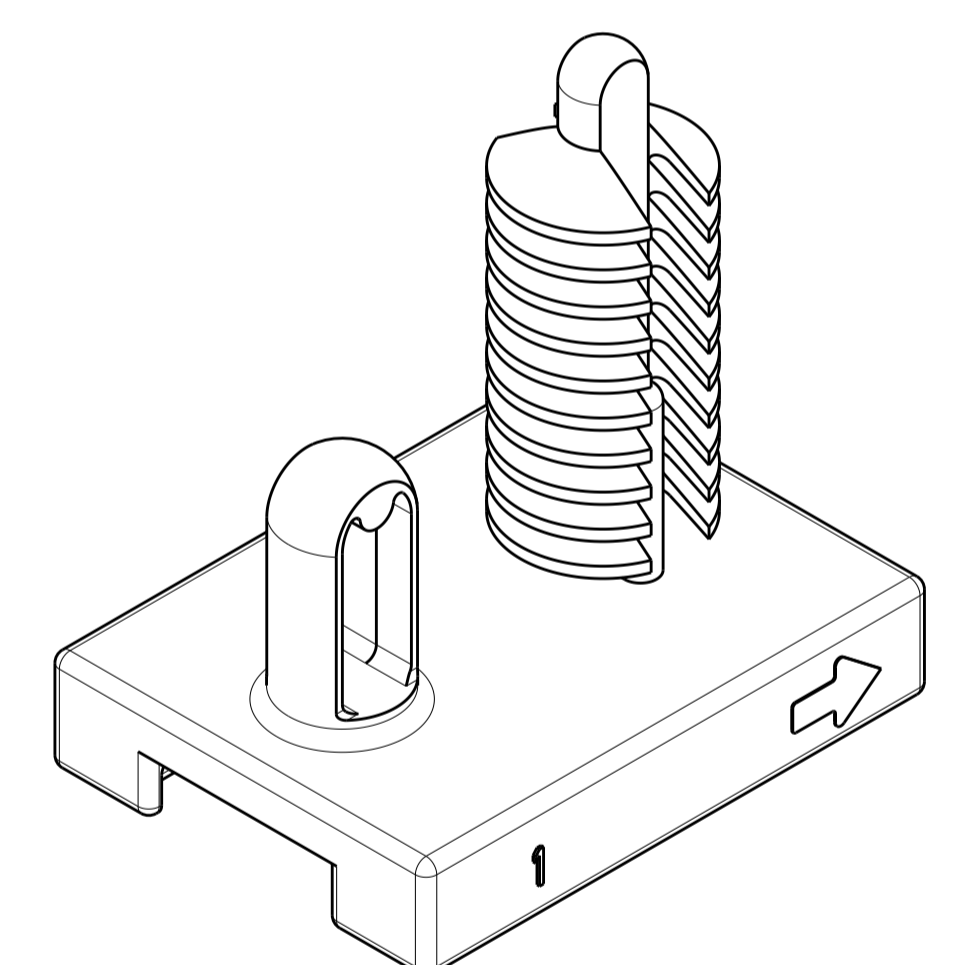
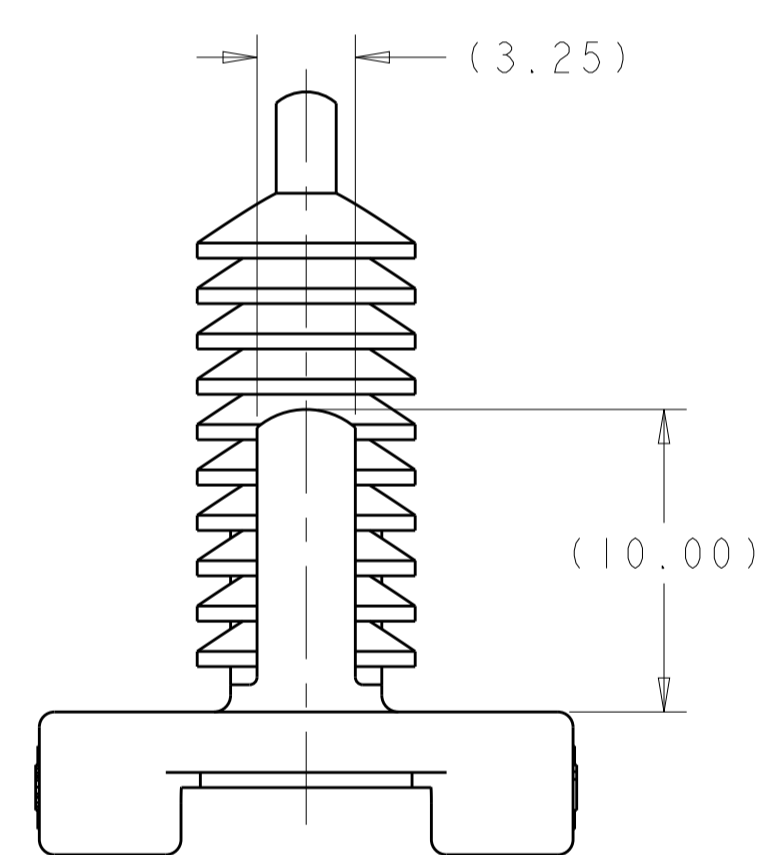
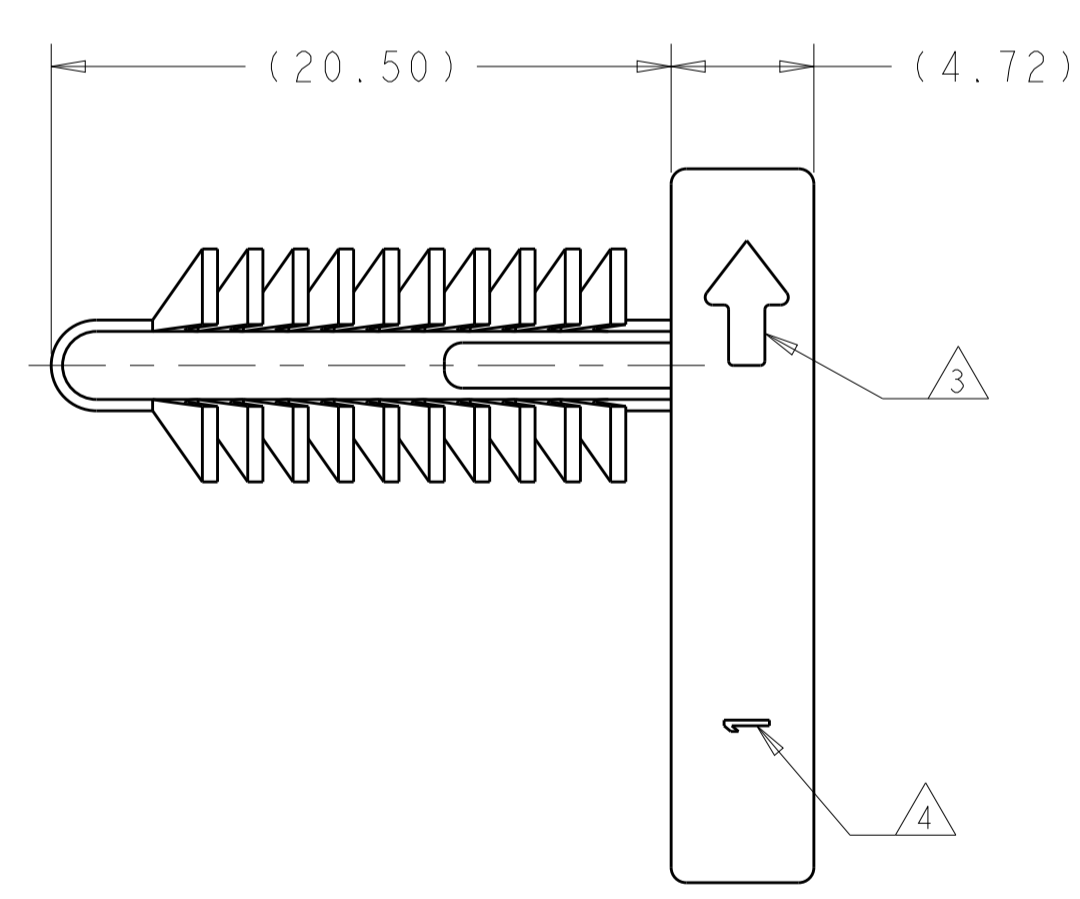
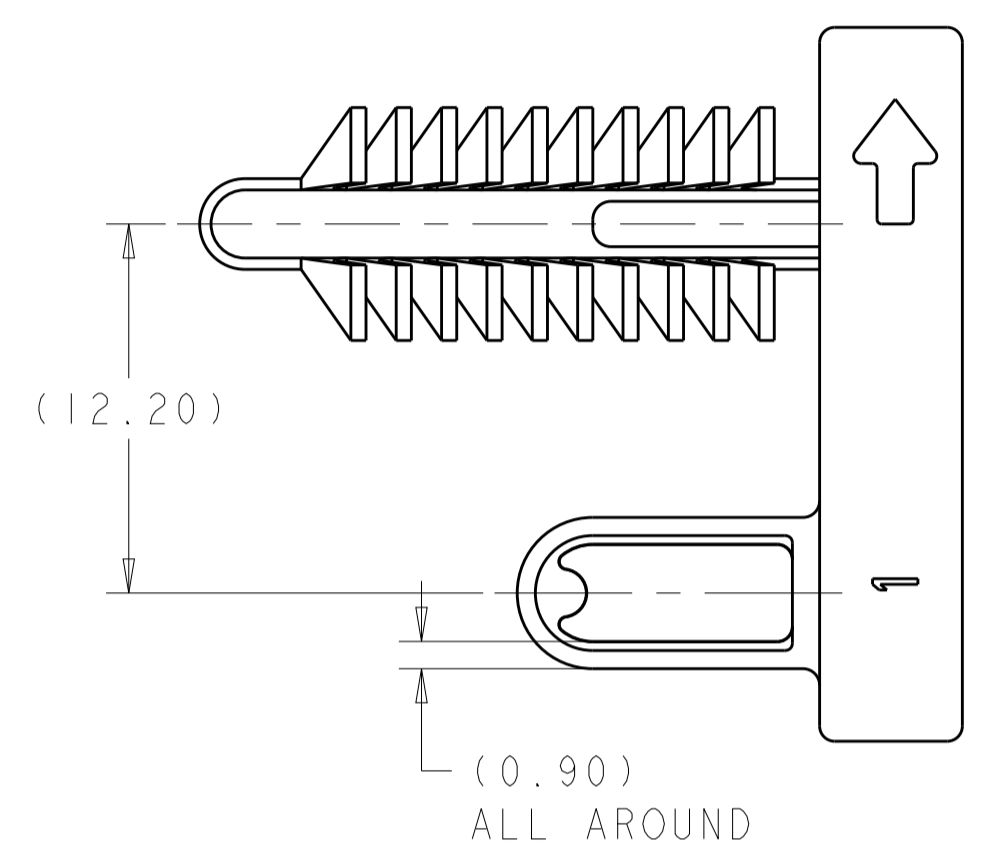
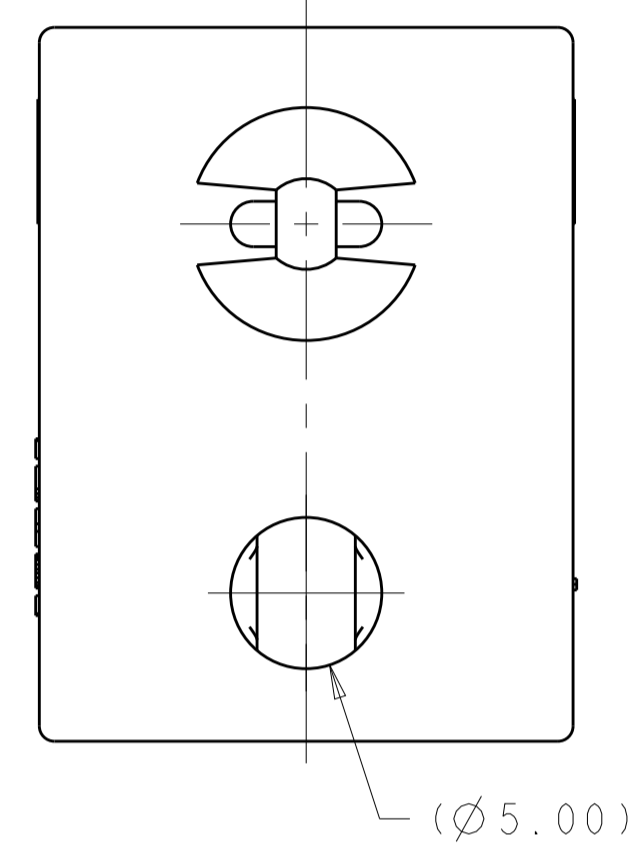
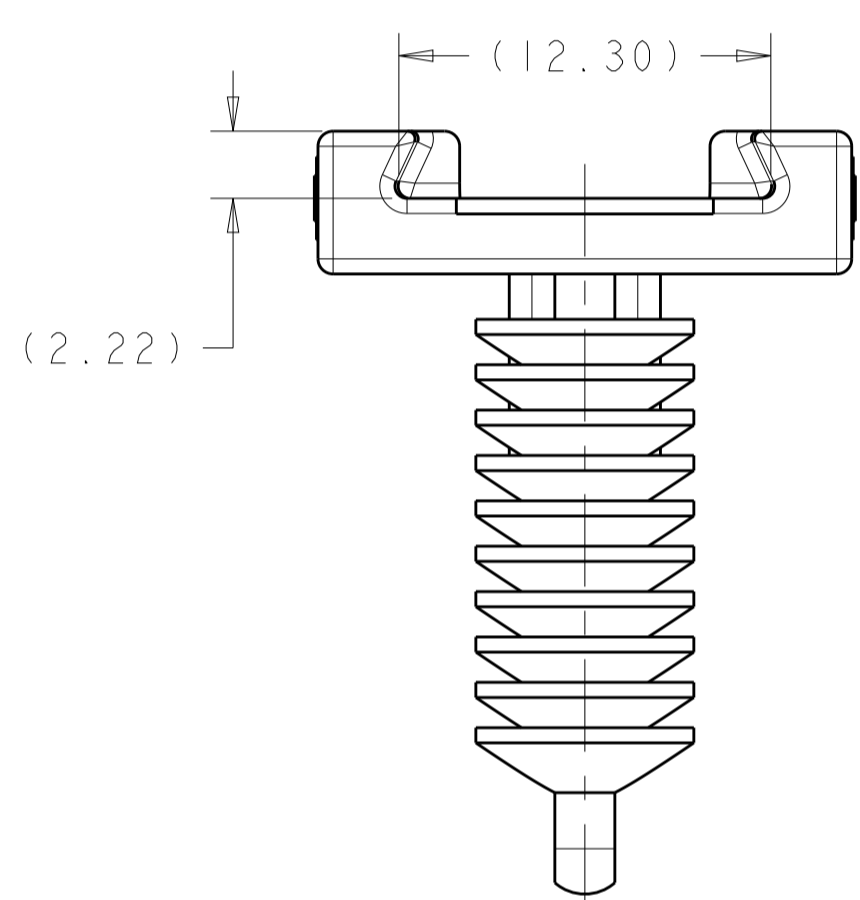


RECOMMENDED MOUNTING PARAMETERS  
1924487-1 AND 1924487-2 ONLY

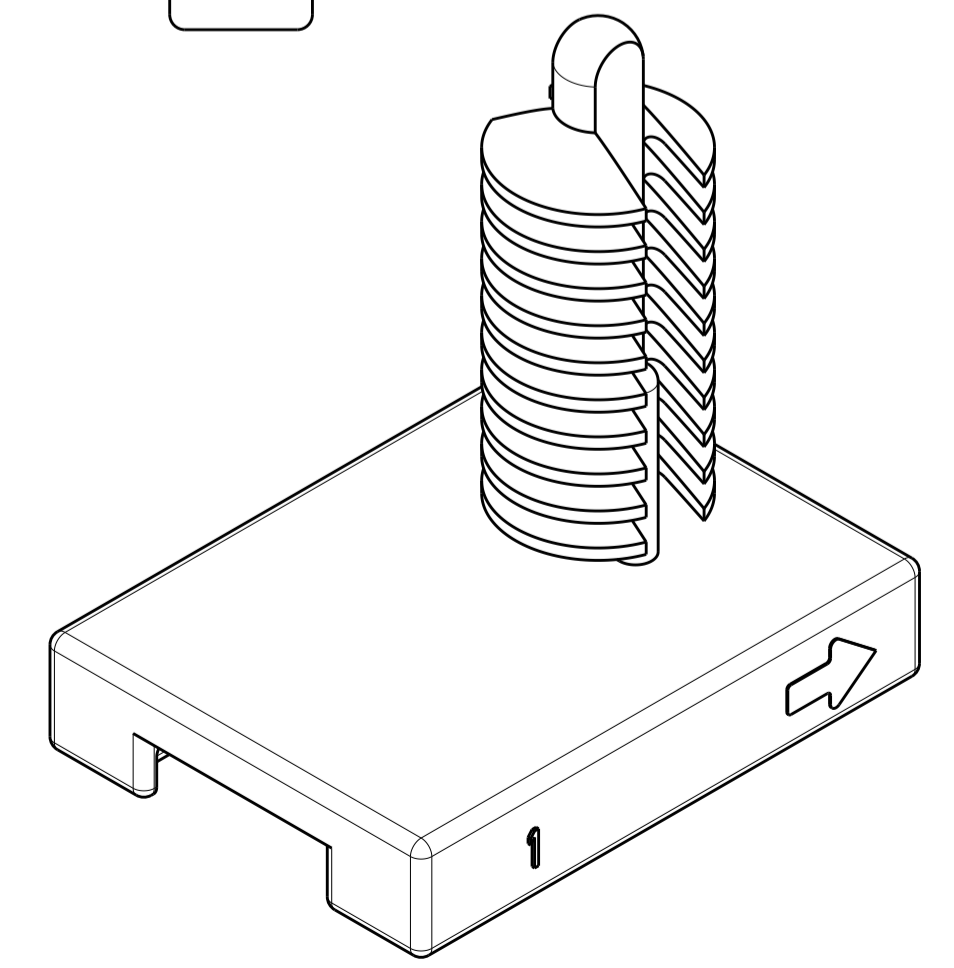
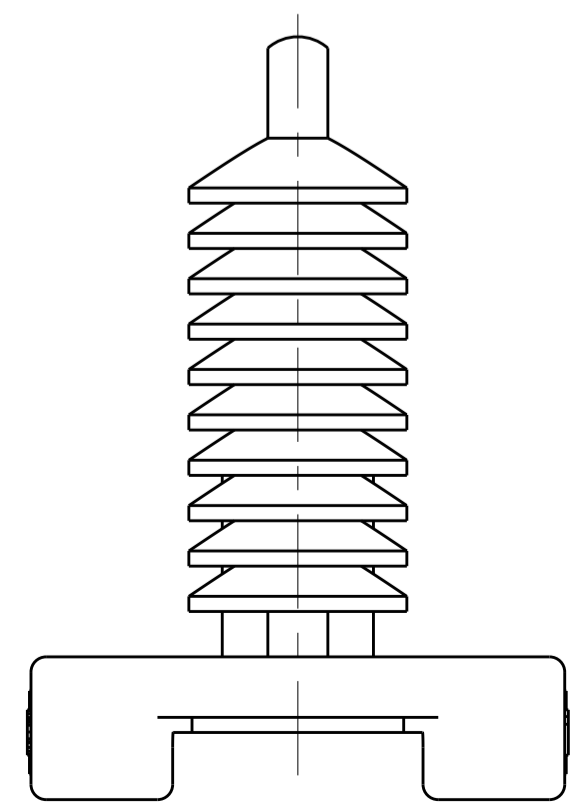
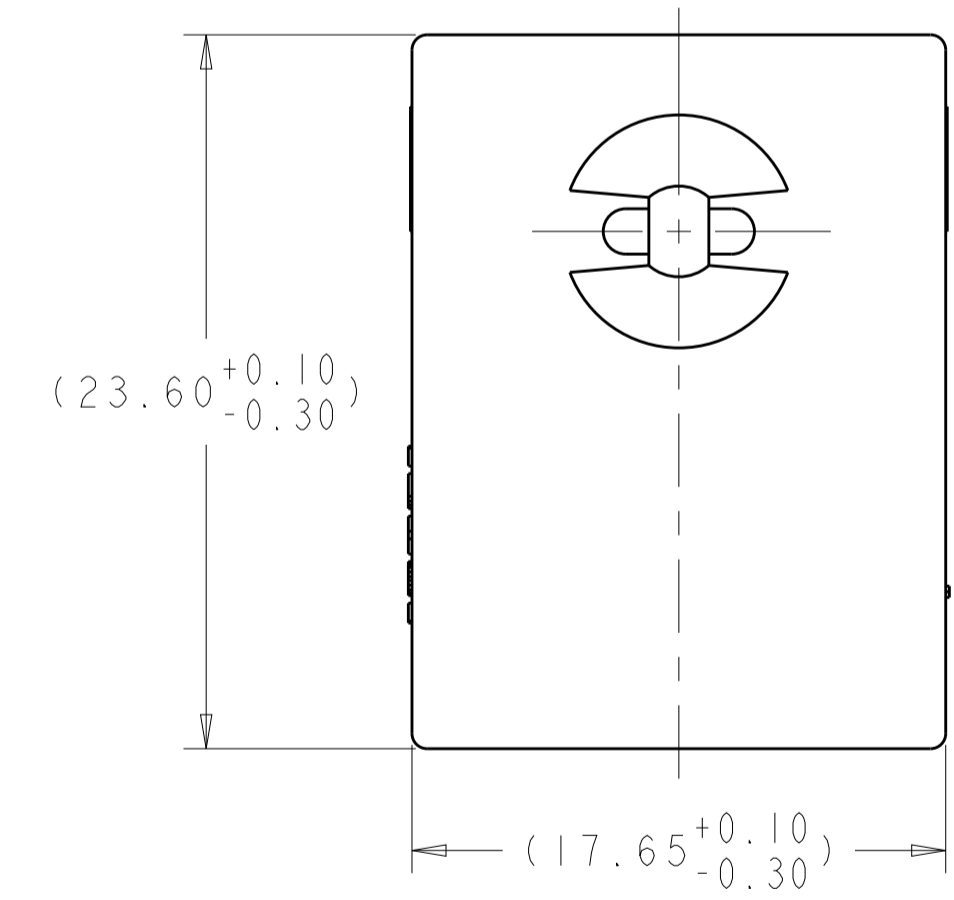
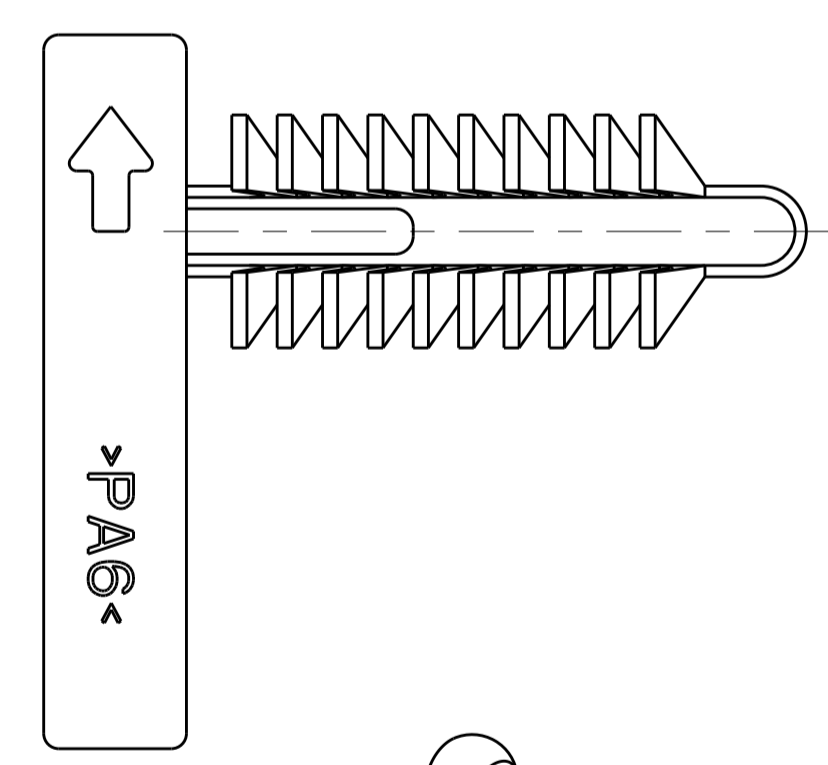
CONNECTOR POSITION	THREAD HOLE (THREADED)	ANTI-ROTATION HOLE (THREADED OR UNTHREADED)	THREAD DEPTH (MINIMUM)
2	M8	M6 (5.0mm)	4mm
3	M8	M6 (5.0mm)	6mm
4	M8	M6 (5.0mm)	6mm
6	M8	M6 (5.0mm)	6mm
8	M8	M6 (5.0mm)	8mm
12	M8	M6 (5.0mm)	8mm

REVISIONS				
REV	LTN	DESCRIPTION	DATE	APVD
D		REVISED PER ECO-15-014592	09OCT2015	JM RB
D1		REVISED PER ECO-15-018109	17DEC2015	DD RB
E		REVISED PER ECO-19-009502	20JUN2019	NS RB

- △ MATERIAL: NYLON 6, COLOR: BLACK
- 2. MOUNTING PARAMETERS: SEE RECOMMENDED MOUNTING TABLE ON LEFT SIDE.
- △3 AREA TO BE FROSTED APPROXIMATELY WHERE SHOWN.
- △4 CAVITY ID.
- △5 ANTI-ROTATION POST DIMENSIONS ONLY APPLY TO 1924487-2.



1924487-2  
DIMS SAME AS 1924487-1 EXCEPT AS SHOWN



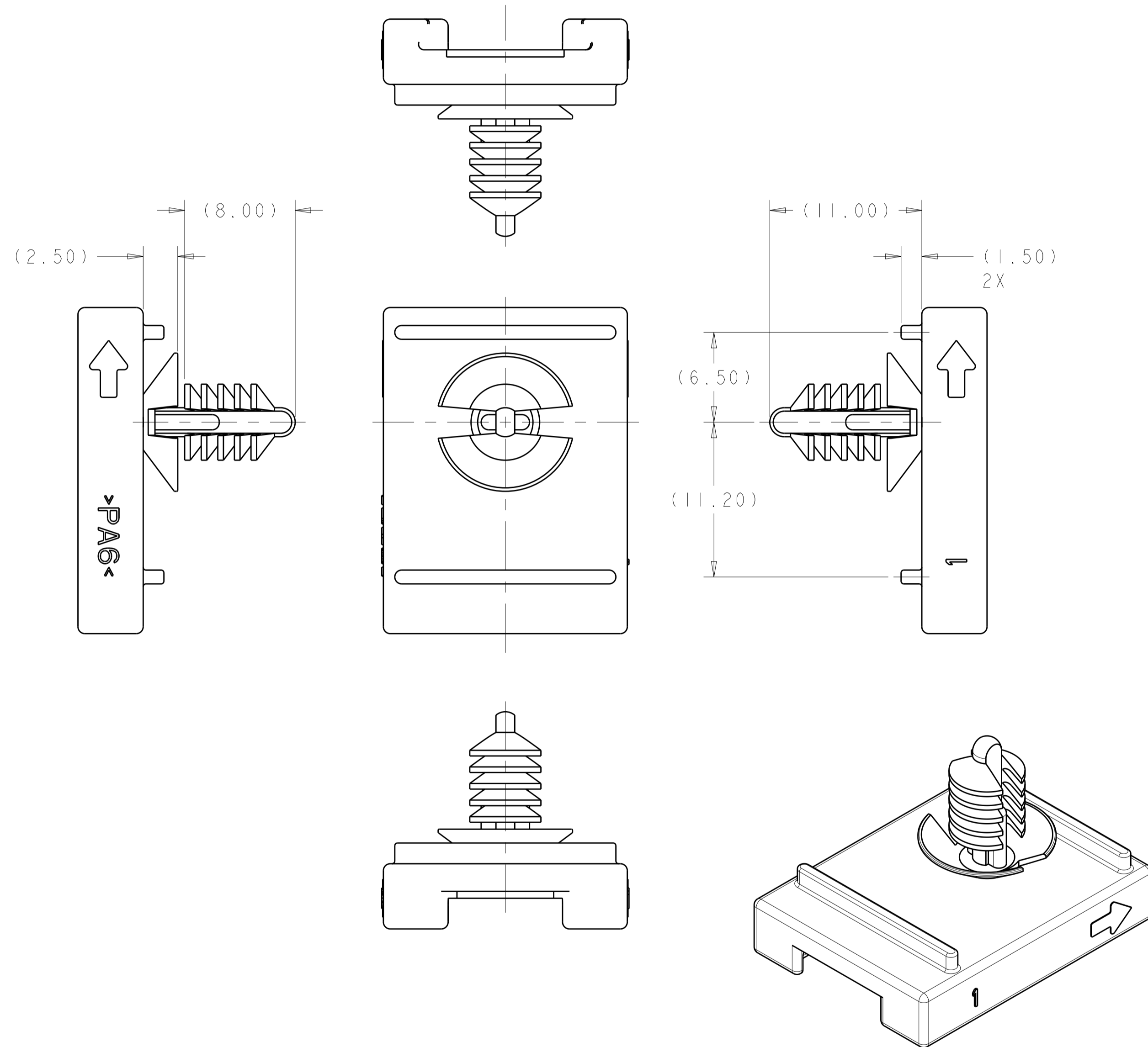
1924487-1

1.50 grams	1924487-3
1.65 grams	1924487-2
1.60 grams	1924487-1
WEIGHT (g)	PART NUMBER

THIS DRAWING IS A CONTROLLED DOCUMENT.		OWN J. MARKEY 22FEB2008	TE Connectivity	
DIMENSIONS:		CHK J. MARKEY 22FEB2008	RETAINER CLIP, AMPSEAL 16	
mm	TOLERANCES UNLESS OTHERWISE SPECIFIED:	APVD J. MARKEY 22FEB2008	-	
Ø	0 PLC ±	PRODUCT SPEC	-	
	1 PLC ±0.5	APPLICATION SPEC	-	
	2 PLC ±0.3	SIZE CAGE CODE DRAWING NO	-	
	3 PLC ±	RESTRICTED TO	-	
	4 PLC ±	SCALE 3:1 SHEET 1 OF 2 REV E	-	
	ANGLES ±		-	
MATERIAL	FINISH	WEIGHT	-	
△	-	CUSTOMER DRAWING	-	

REVISIONS					
P.	LTN	DESCRIPTION	DATE	DMN	APVD
-	-	SEE SHEET 1	-	-	-

RECOMMENDED MOUNTING PARAMETERS  
 1924487-3 ONLY  
 1924487-3 TO SNAP INTO Ø4.7MM HOLE  
 IN 3MM STOCK SHEET METAL.



1924487-3  
 DIMS SAME AS 1924487-1  
 EXCEPT AS SHOWN

THIS DRAWING IS A CONTROLLED DOCUMENT.		DMN J. MARKEY 22FEB2008	
DIMENSIONS: mm		CHK J. MARKEY 22FEB2008	
TOLERANCES UNLESS OTHERWISE SPECIFIED: 0 PLC ± 1 PLC ±0.5 2 PLC ±0.3 3 PLC ± 4 PLC ± ANGLES ±		APVD J. MARKEY 22FEB2008	NAME RETAINER CLIP, AMPSEAL 16
MATERIAL		PRODUCT SPEC	SIZE CAGE CODE DRAWING NO RESTRICTED TO
FINISH		APPLICATION SPEC	A100779C=1924487
CUSTOMER DRAWING		WEIGHT	SCALE 3:1 SHEET 2 OF 2 REV E

## X-ON Electronics

Largest Supplier of Electrical and Electronic Components

*Click to view similar products for [Automotive Connectors](#) category:*

*Click to view products by [TE Connectivity](#) manufacturer:*

Other Similar products are found below :

[003-018-000](#) [60403001](#) [60993906-B](#) [M902-2131](#) [M902-2161](#) [M902-2344](#) [72.330.1035.1](#) [73.353.4028.0](#) [F119300-B](#) [F166900](#) [F258300-B](#)  
[F358300-B](#) [F407400](#) [F444110](#) [F487000](#) [F509500B-B](#) [827153-1](#) [8N1515-32-24P](#) [9-1326729-8](#) [925474-1](#) [928905-1](#) [964562-4](#) [968782-1](#)  
[GT17SA-8DS-HU](#) [98891-1012](#) [98947-1016](#) [12004147](#) [12004475-L](#) [12010290](#) [12010309-B](#) [12015454](#) [12020219-B](#) [12041318-B](#) [12052225-](#)  
[L](#) [12052466](#) [12064869](#) [12004327-B](#) [12015308](#) [12015384](#) [12015909](#) [1-21030-1](#) [12041254](#) [12041318](#) [12047946-B](#) [12047957](#) [12047957-L](#)  
[12059473](#) [12066261](#) [12110546](#) [12110546-B](#)