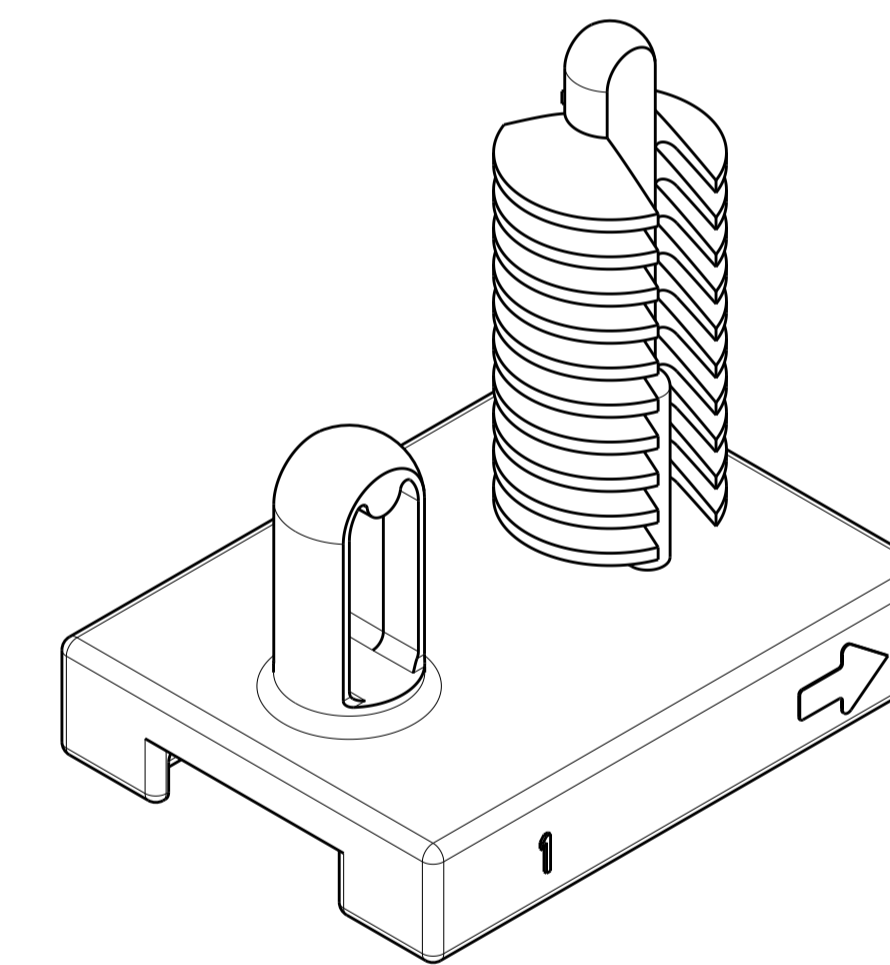
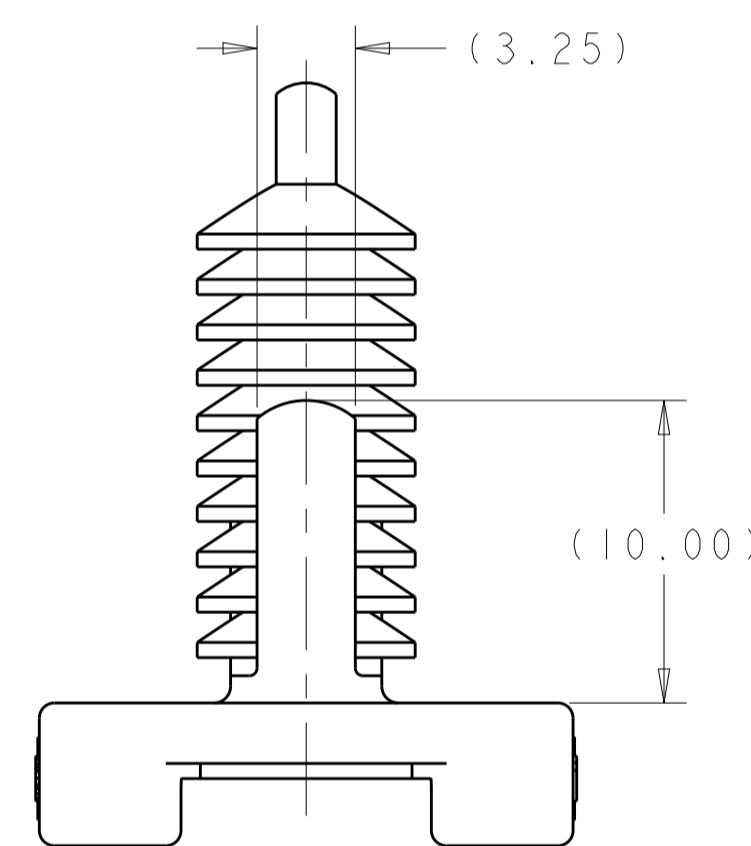
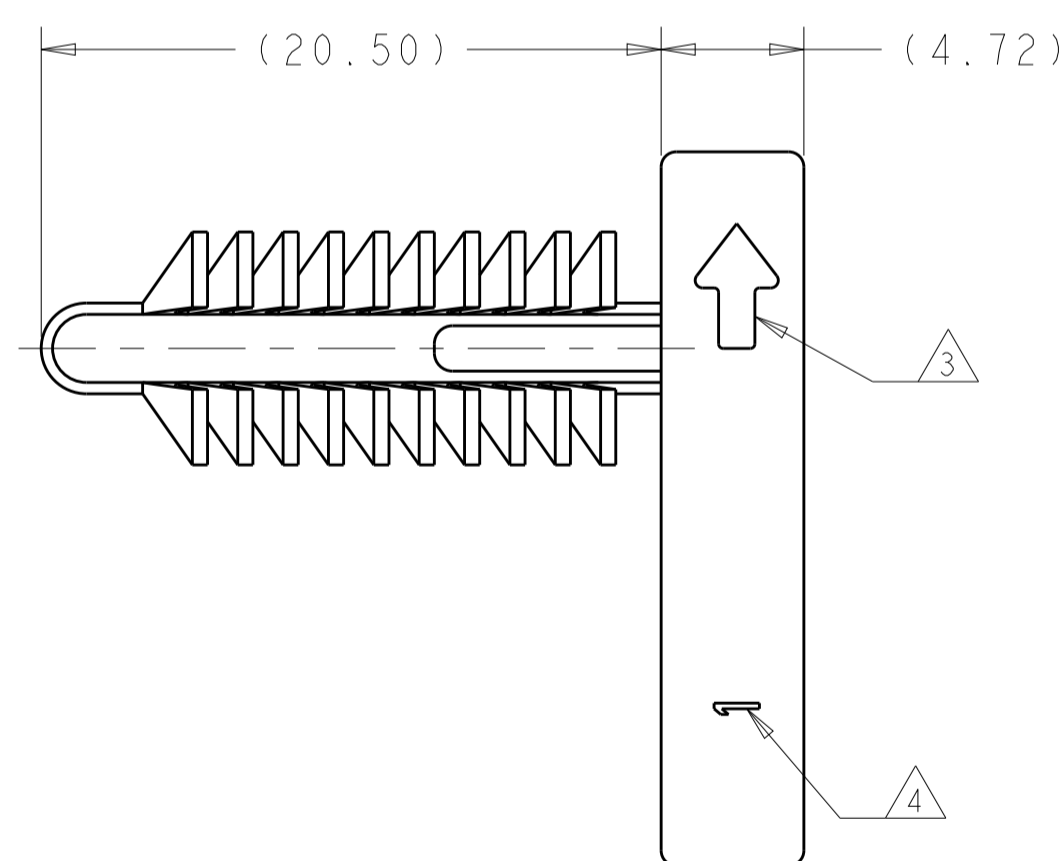
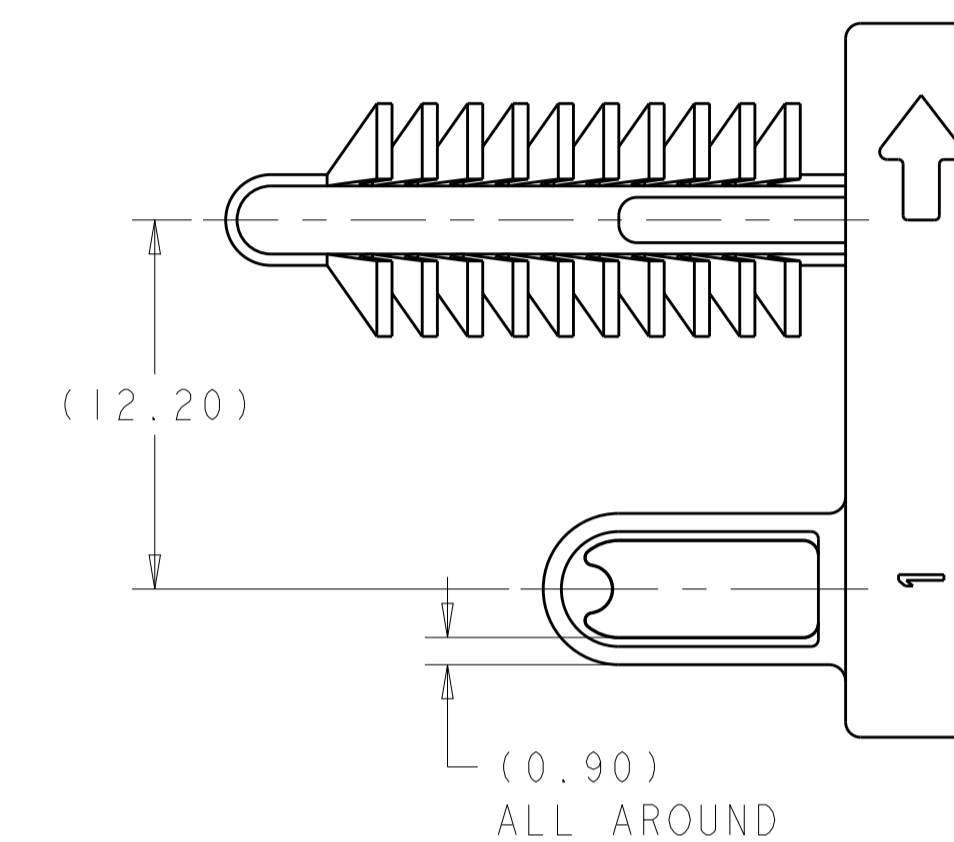
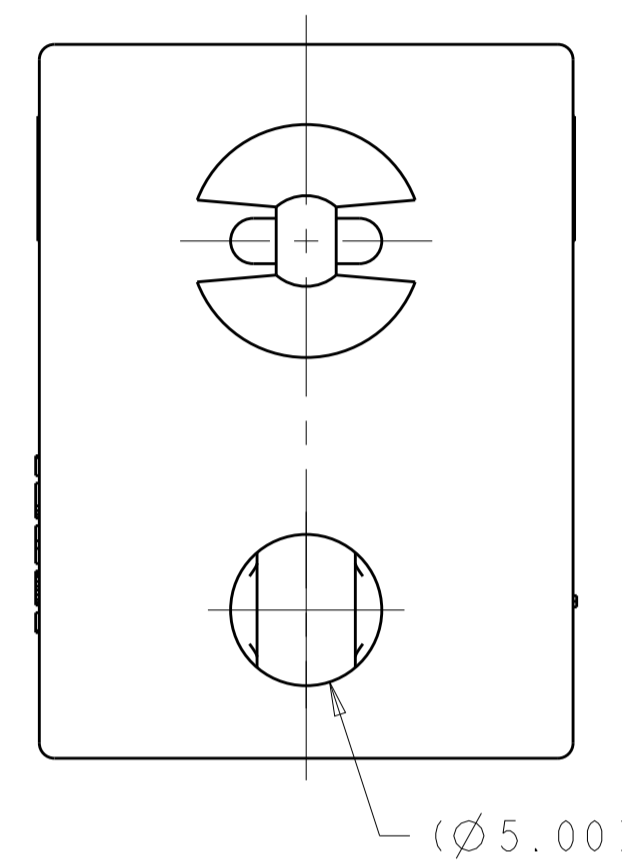
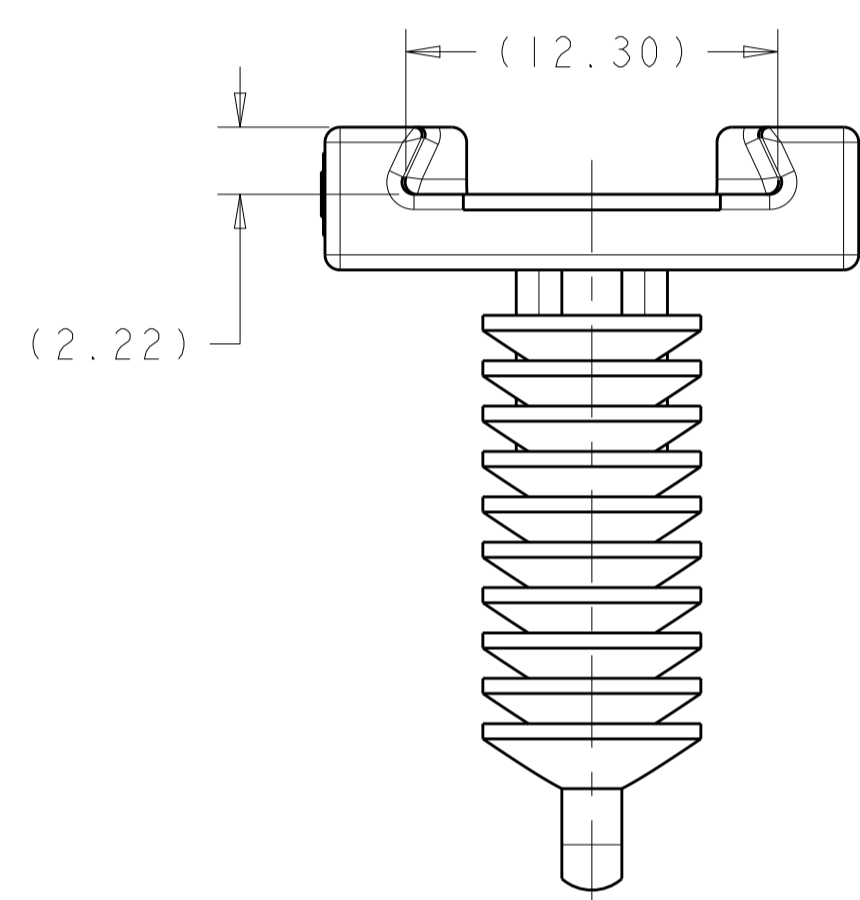


RECOMMENDED MOUNTING PARAMETERS
1924487-1 AND 1924487-2 ONLY

CONNECTOR POSITION	TREE HOLE (THREADED)	ANTI-ROTATION HOLE (THREADED OR UNTHREADED)	THREAD DEPTH (MINIMUM)
2	M8	M6 (5.0mm)	4mm
3	M8	M6 (5.0mm)	6mm
4	M8	M6 (5.0mm)	6mm
6	M8	M6 (5.0mm)	6mm
8	M8	M6 (5.0mm)	8mm
12	M8	M6 (5.0mm)	8mm

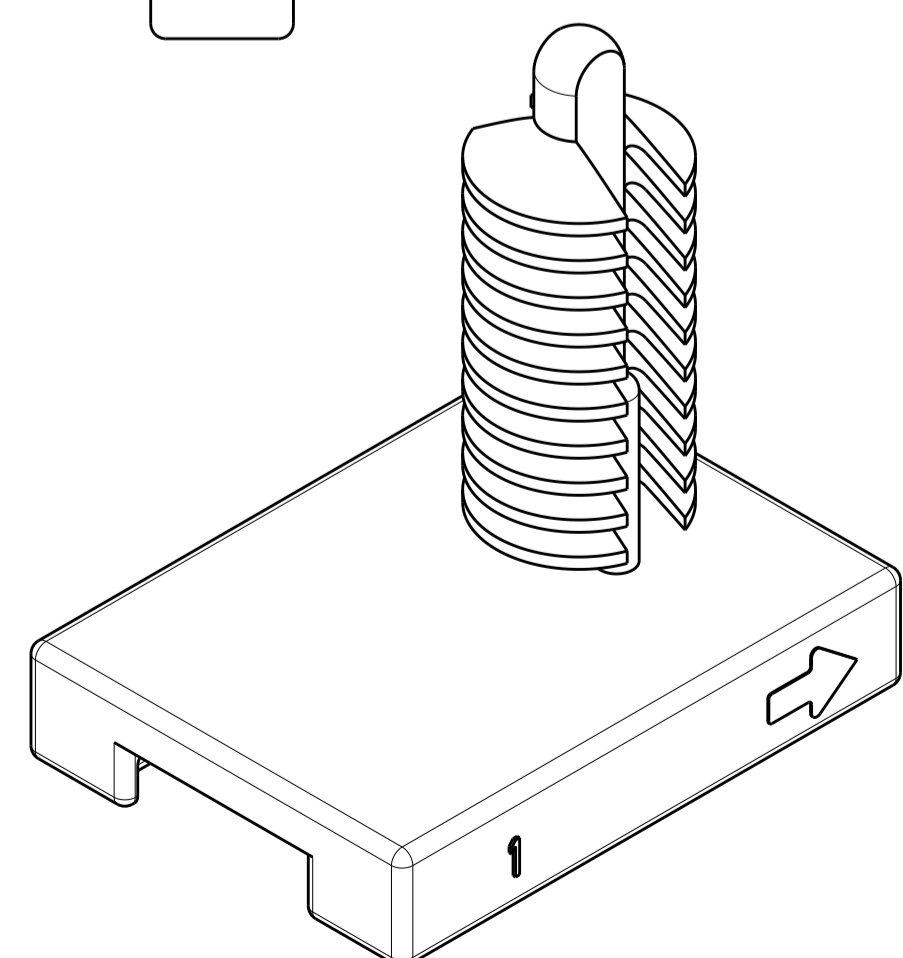
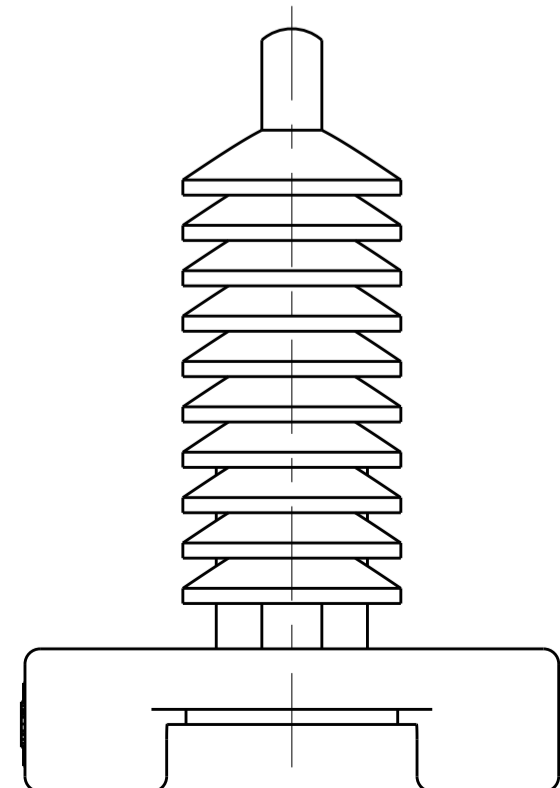
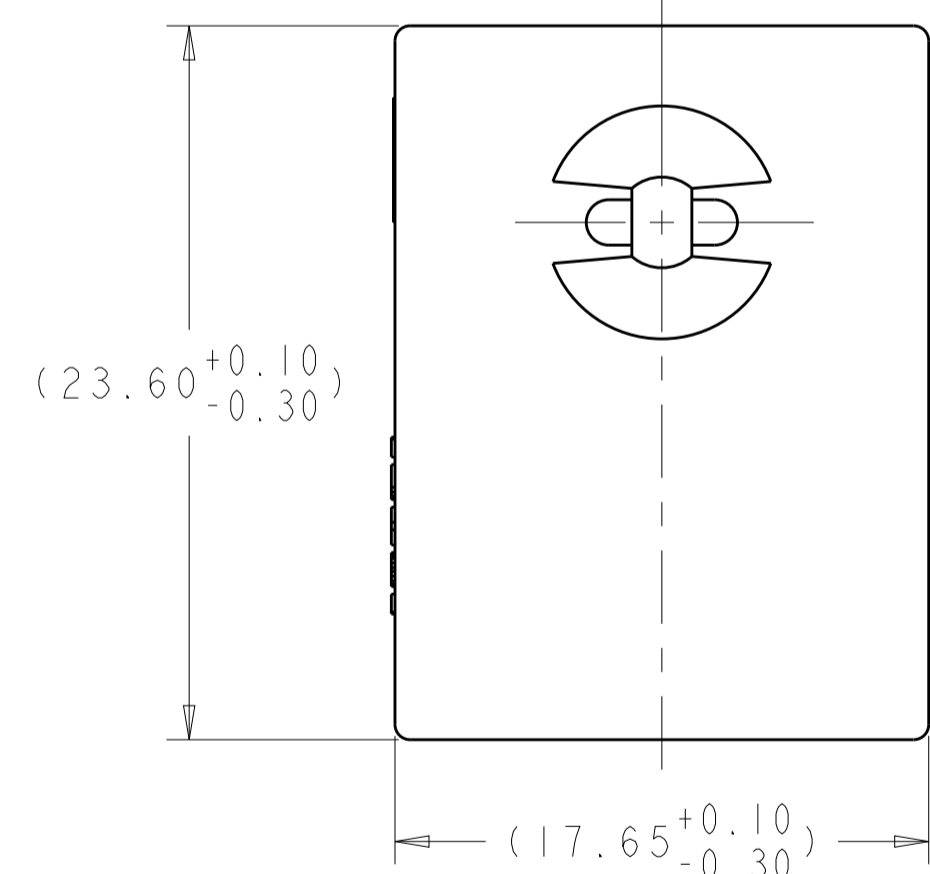
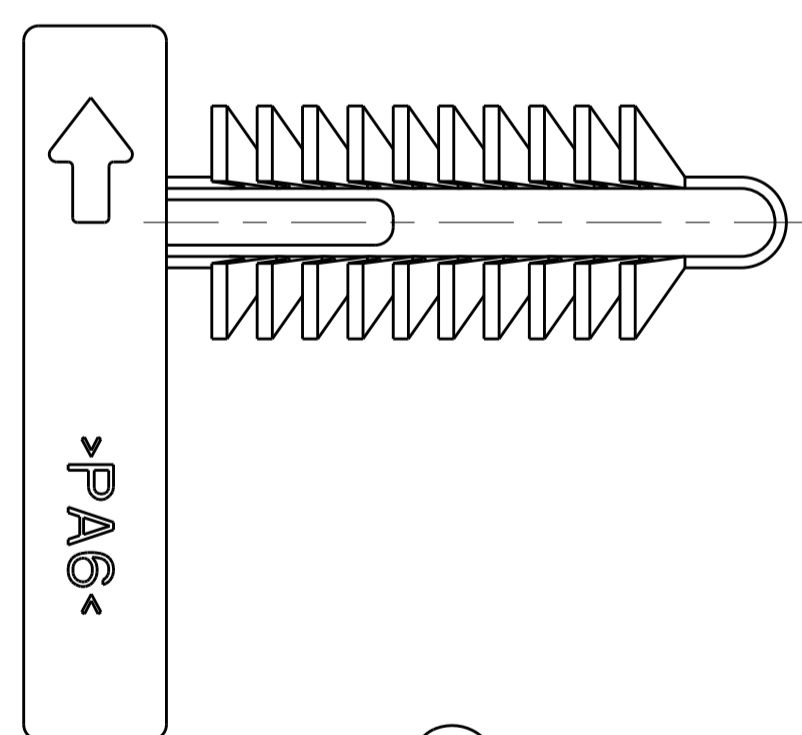
REVISIONS				
REV	LTN	DESCRIPTION	DATE	APVD
D		REVISED PER ECO-15-014592	09OCT2015	JM RB
D1		REVISED PER ECO-15-018109	17DEC2015	DD RB
E		REVISED PER ECO-19-009502	20JUN2019	NS RB

- △ MATERIAL: NYLON 6, COLOR: BLACK
- 2. MOUNTING PARAMETERS: SEE RECOMMENDED MOUNTING TABLE ON LEFT SIDE.
- △3 AREA TO BE FROSTED APPROXIMATELY WHERE SHOWN.
- △4 CAVITY ID.
- △5 ANTI-ROTATION POST DIMENSIONS ONLY APPLY TO 1924487-2.



1924487-2

DIMS SAME AS 1924487-1 EXCEPT AS SHOWN



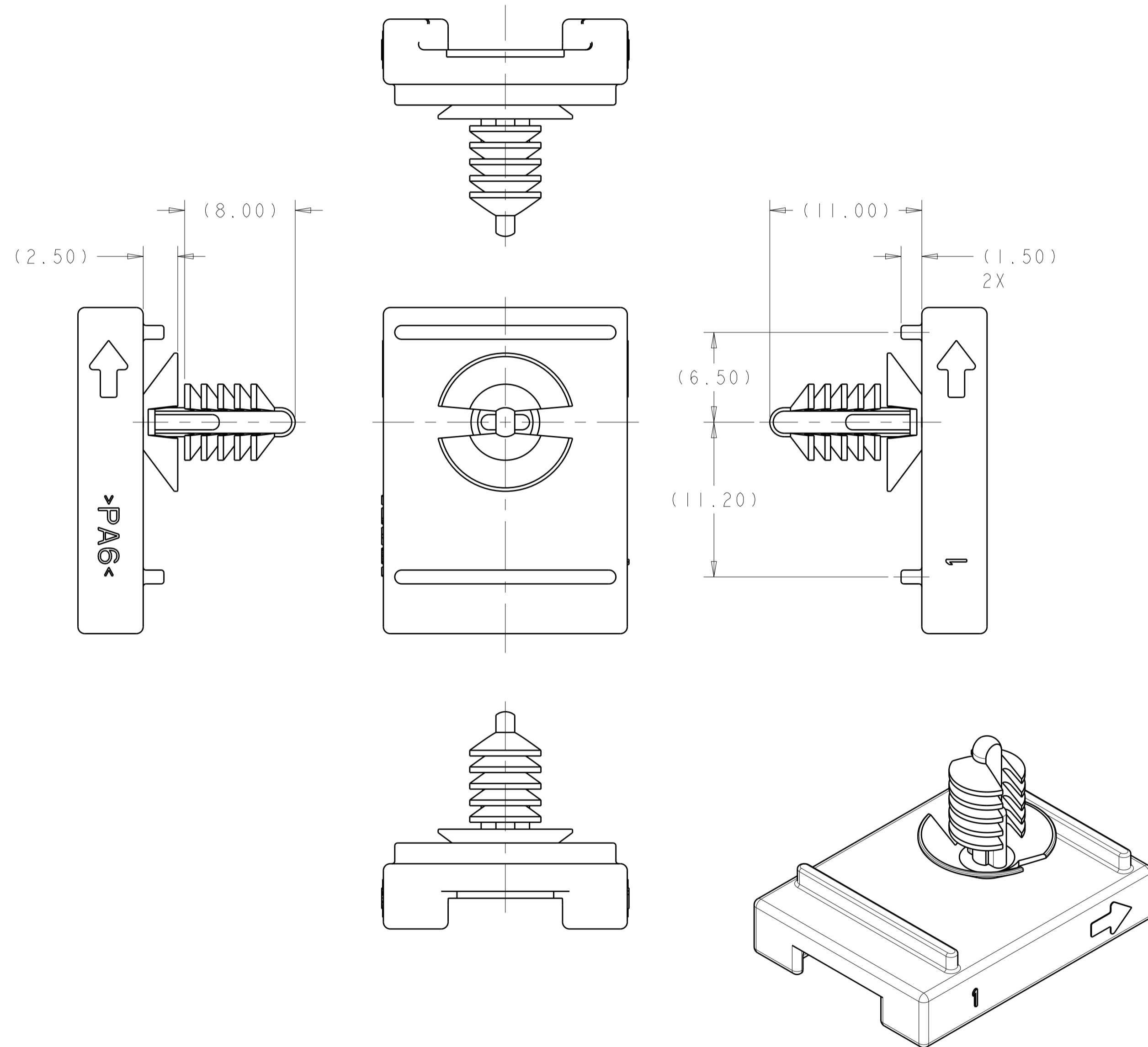
1924487-1

1.50 grams	1924487-3
1.65 grams	1924487-2
1.60 grams	1924487-1
WEIGHT (g)	PART NUMBER

DIMENSIONS:		TOLERANCES UNLESS OTHERWISE SPECIFIED:		MATERIAL:		FINISH:		APPROVED:		CUSTOMER DRAWING	
mm	0 PLC ±	1 PLC ±0.5	2 PLC ±0.3	3 PLC ±	4 PLC ±	ANGLES ±	FINISH	DATE	CHK	APVD	NAME
								22FEB2008	J. MARKEY	J. MARKEY	RETAINER CLIP, AMPSEAL 16
								22FEB2008	J. MARKEY	J. MARKEY	PRODUCT SPEC
								22FEB2008	J. MARKEY	J. MARKEY	APPLICATION SPEC
											SIZE
											CAGE CODE
											DRAWING NO
											RESTRICTED TO
											SCALE
											3:1
											SHEET
											1
											OF
											2
											REV
											E

REVISIONS				
P.	LTN	DESCRIPTION	DATE	APVD
-	-	SEE SHEET 1	-	-

RECOMMENDED MOUNTING PARAMETERS
 1924487-3 ONLY
 1924487-3 TO SNAP INTO Ø4.7MM HOLE
 IN 3MM STOCK SHEET METAL.



1924487-3
 DIMS SAME AS 1924487-1
 EXCEPT AS SHOWN

THIS DRAWING IS A CONTROLLED DOCUMENT.		DWN J. MARKEY 22FEB2008	
DIMENSIONS: mm		CHK J. MARKEY 22FEB2008	
TOLERANCES UNLESS OTHERWISE SPECIFIED:		APVD J. MARKEY 22FEB2008	NAME RETAINER CLIP, AMPSEAL 16
0 PLC ±	1 PLC ±0.5	PRODUCT SPEC	SIZE CAGE CODE DRAWING NO
2 PLC ±0.3	3 PLC ±	APPLICATION SPEC	RESTRICTED TO
4 PLC ±	ANGLES ±	WEIGHT	A100779C=1924487
MATERIAL	FINISH	CUSTOMER DRAWING	SCALE 3:1 SHEET 2 OF 2 REV E

X-ON Electronics

Largest Supplier of Electrical and Electronic Components

Click to view similar products for [Automotive Connectors](#) category:

Click to view products by [TE Connectivity](#) manufacturer:

Other Similar products are found below :

[003-018-000](#) [60403001](#) [60993906-B](#) [M902-2131](#) [M902-2161](#) [72.330.1035.1](#) [73.353.4028.0](#) [F119300-B](#) [F166900](#) [F258300-B](#) [F358300-B](#)
[F407400](#) [F444110](#) [F487000](#) [F509500B-B](#) [827153-1](#) [8N1515-32-24P](#) [9-1326729-8](#) [925474-1](#) [928905-1](#) [964562-4](#) [968782-1](#) [GT17SA-8DS-](#)
[HU](#) [98891-1012](#) [98947-1016](#) [12004147](#) [12004475-L](#) [12010290](#) [12010309-B](#) [12015454](#) [12020219-B](#) [12020308](#) [12041318-B](#) [12052225-L](#)
[12052466](#) [12059125](#) [12064869](#) [12004327-B](#) [12010503-B](#) [12015308](#) [12015384](#) [12015909](#) [1-21030-1](#) [12041254](#) [12041318](#) [12047946-B](#)
[12047957](#) [12047957-L](#) [12059473](#) [12066261](#)