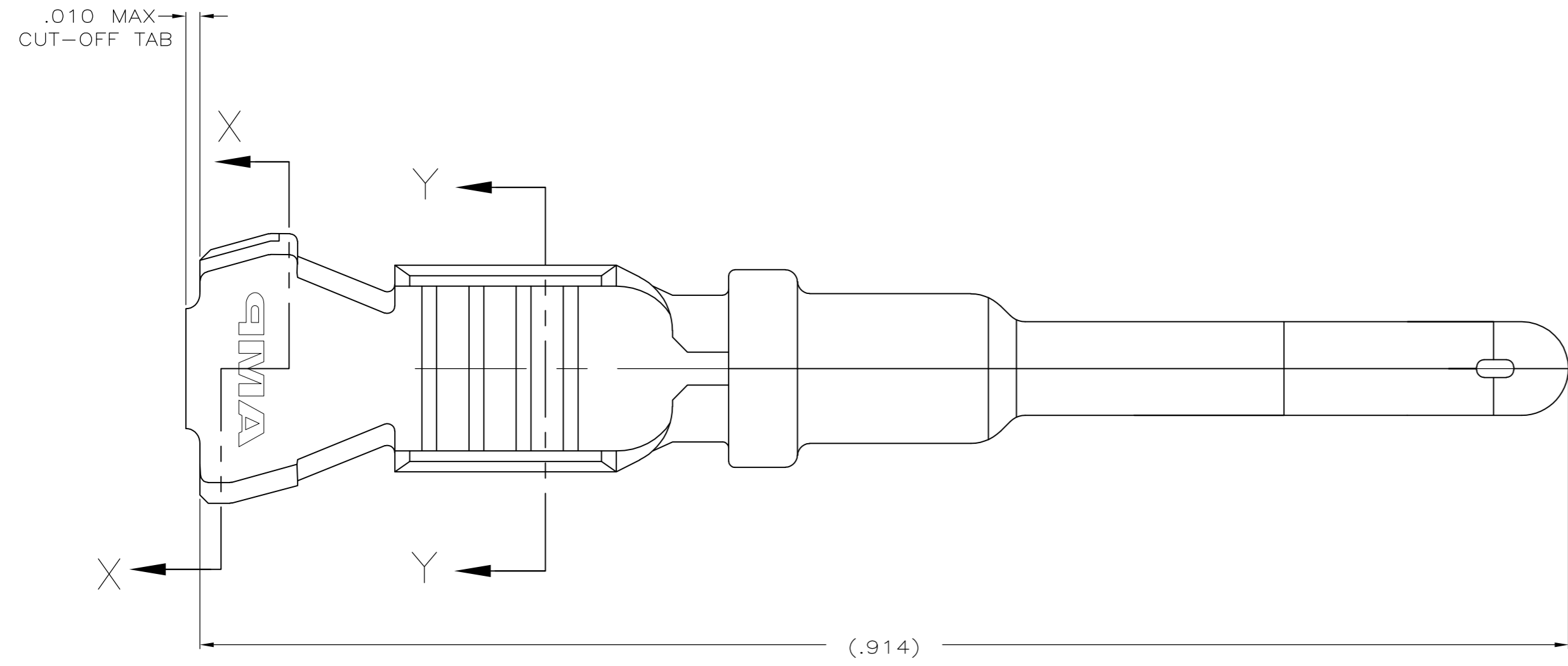
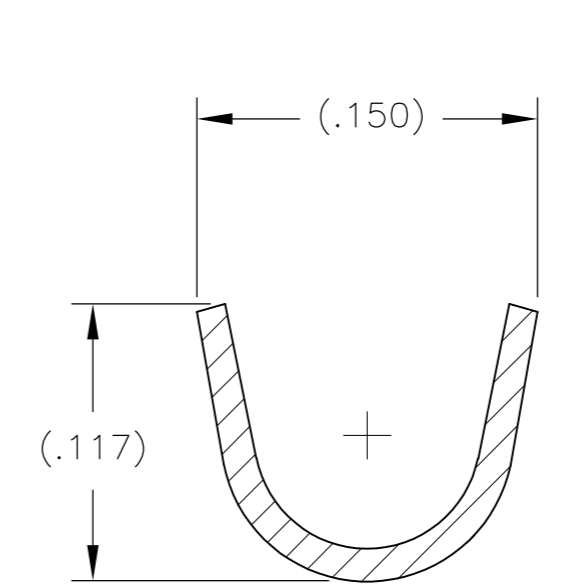
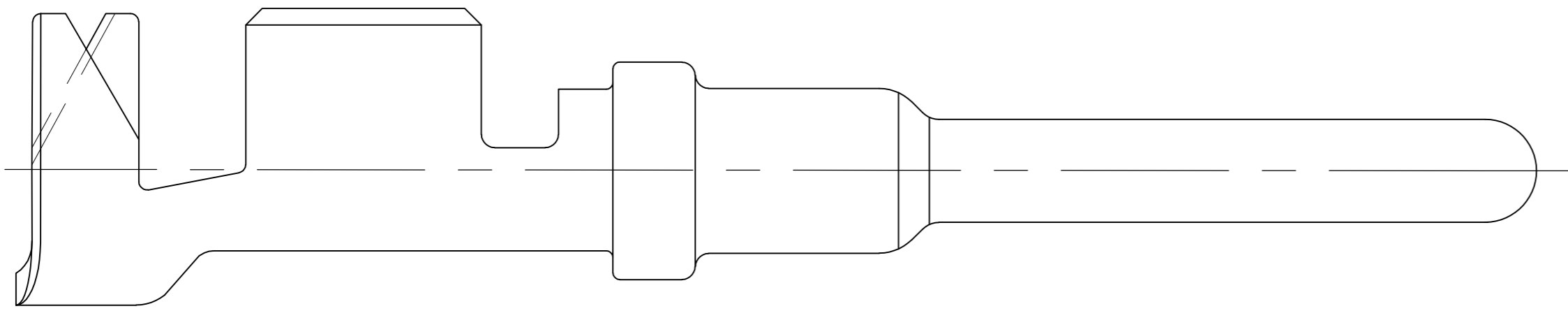


THIS DRAWING IS UNPUBLISHED. RELEASED FOR PUBLICATION
 © COPYRIGHT BY TYCO ELECTRONICS CORPORATION. ALL INTERNATIONAL RIGHTS RESERVED.

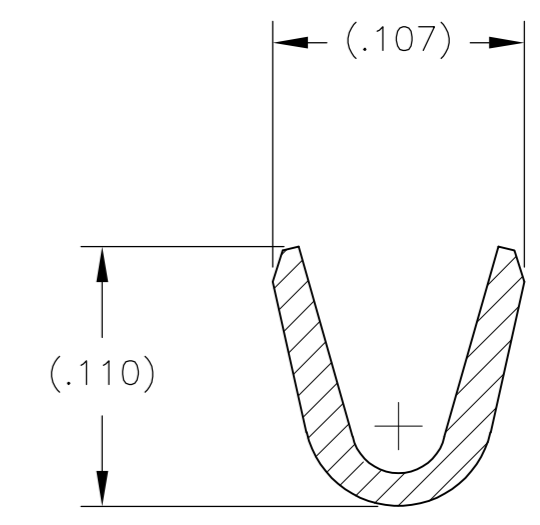
| LOC | DIST | REVISIONS | | | |
|-----|------|-------------|----------------------------|-----------|---------|
| P | LTR | DESCRIPTION | DATE | DWN | APVD |
| GE | 33 | A | RELEASED PER ECO-10-004070 | 26FEB2010 | DLD MPT |



1. WIRE RANGE: 20-18 AWG WITH INSULATION DIAMETERS OF .050 - .107 INCHES.



SECTION X-X



SECTION Y-Y

| | | |
|----------------------------------|--------|-------------|
| LOOSE PIECE VERSION OF 1924463-3 | NICKEL | 1924579-3 |
| LOOSE PIECE VERSION OF 1924463-1 | GOLD | 1924579-1 |
| DESCRIPTION | FINISH | PART NUMBER |

| | | | | |
|--|--|---------------------------------|---|-----------------------|
| THIS DRAWING IS A CONTROLLED DOCUMENT. | | DWN D. DRUMMOND 20JUL2009 | Tyco Electronics Corporation Harrisburg, PA 17105-3608 | |
| DIMENSIONS: INCHES | TOLERANCES UNLESS OTHERWISE SPECIFIED: | CHK M. TRULL 20JUL2009 | NAME | |
| | 0 PLC ± - | APVD M. TRULL 20JUL2009 | PRODUCT SPEC | |
| | 1 PLC ± - | APPLICATION SPEC | - | |
| | 2 PLC ± .02 | WEIGHT | - | |
| | 3 PLC ± .005 | CUSTOMER DRAWING | - | |
| 4 PLC ± - | FINISH | - | | |
| MATERIAL | FINISH | SIZE A2 | CAGE CODE 00779 | DRAWING NO 1924579 |
| | | SCALE 10:1 | SHEET 1 of 1 | RESTRICTED TO - |
| | | | | REV A |

X-ON Electronics

Largest Supplier of Electrical and Electronic Components

Click to view similar products for [Automotive Connectors](#) category:

Click to view products by [TE Connectivity](#) manufacturer:

Other Similar products are found below :

[003-018-000](#) [60403001](#) [60993906-B](#) [M902-2131](#) [M902-2161](#) [M902-2344](#) [72.330.1035.1](#) [73.353.4028.0](#) [F119300-B](#) [F166900](#) [F258300-B](#)
[F358300-B](#) [F407400](#) [F444110](#) [F487000](#) [F509500B-B](#) [827153-1](#) [8N1515-32-24P](#) [9-1326729-8](#) [925474-1](#) [928905-1](#) [964562-4](#) [968782-1](#)
[GT17SA-8DS-HU](#) [98891-1012](#) [98947-1016](#) [12004147](#) [12004475-L](#) [12010290](#) [12010309-B](#) [12015454](#) [12020219-B](#) [12041318-B](#) [12052225-](#)
[L](#) [12052466](#) [12064869](#) [12004327-B](#) [12015308](#) [12015384](#) [12015909](#) [1-21030-1](#) [12041254](#) [12041318](#) [12047946-B](#) [12047957](#) [12047957-L](#)
[12059473](#) [12066261](#) [12110546](#) [12110546-B](#)