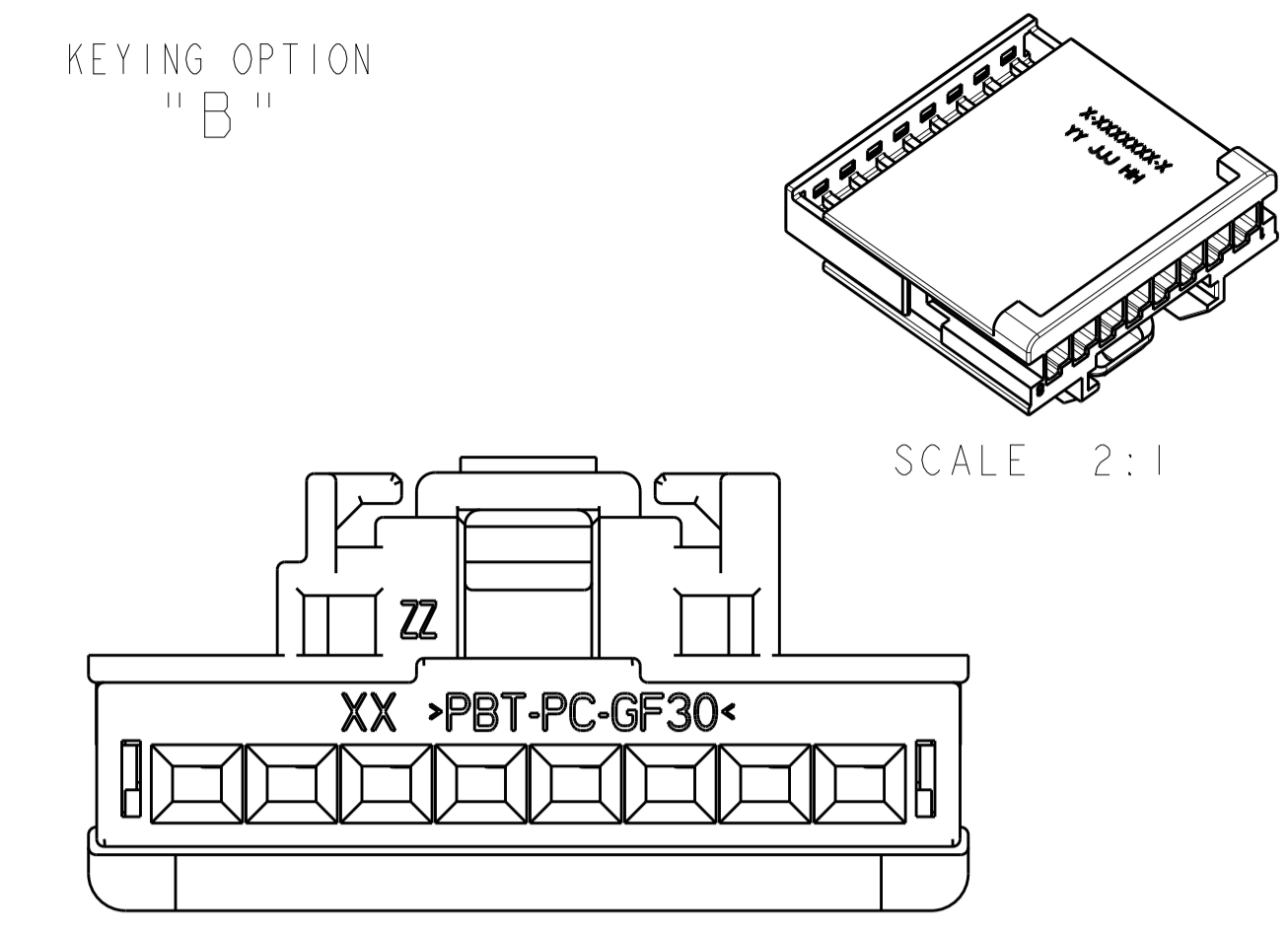
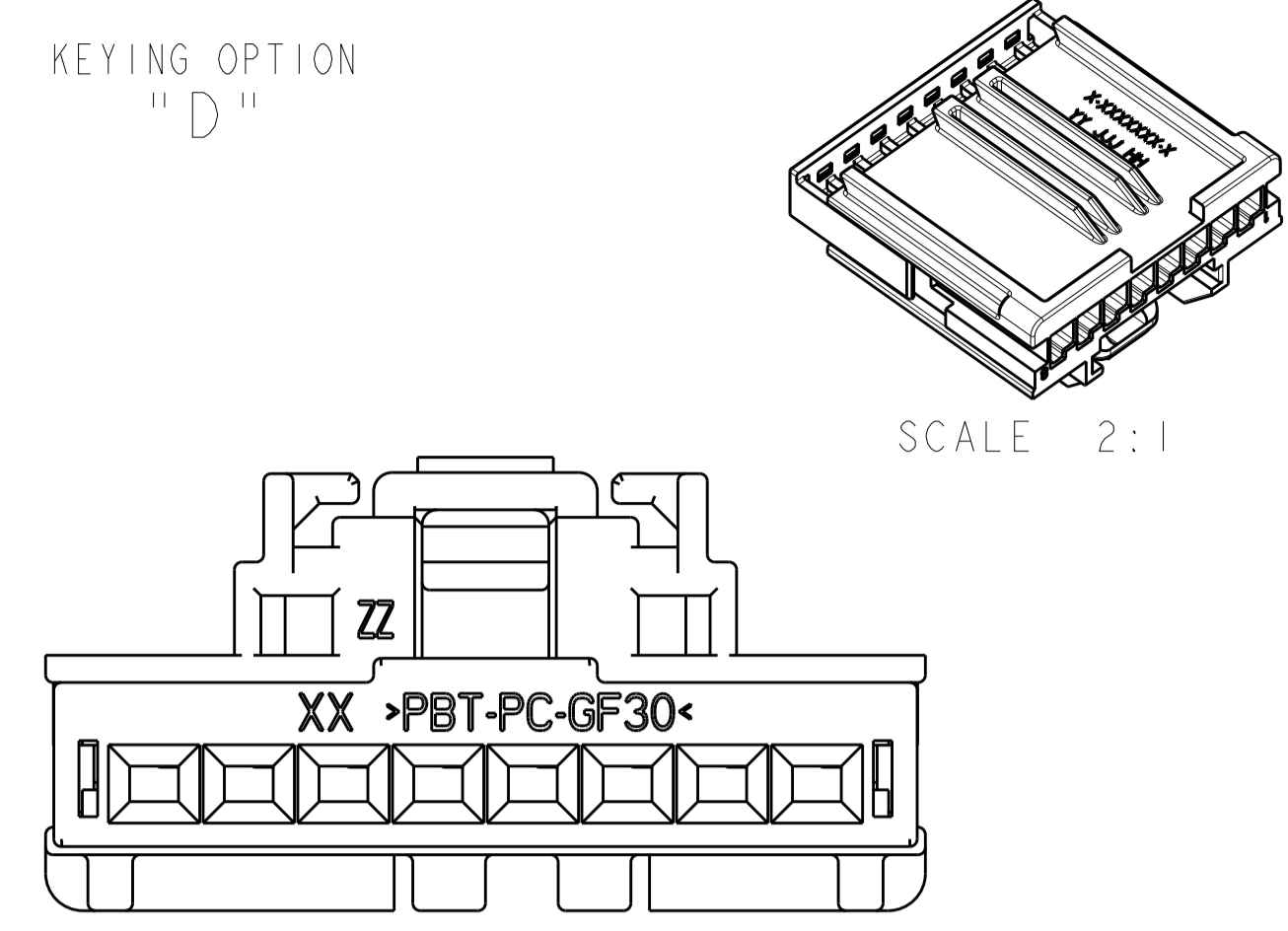
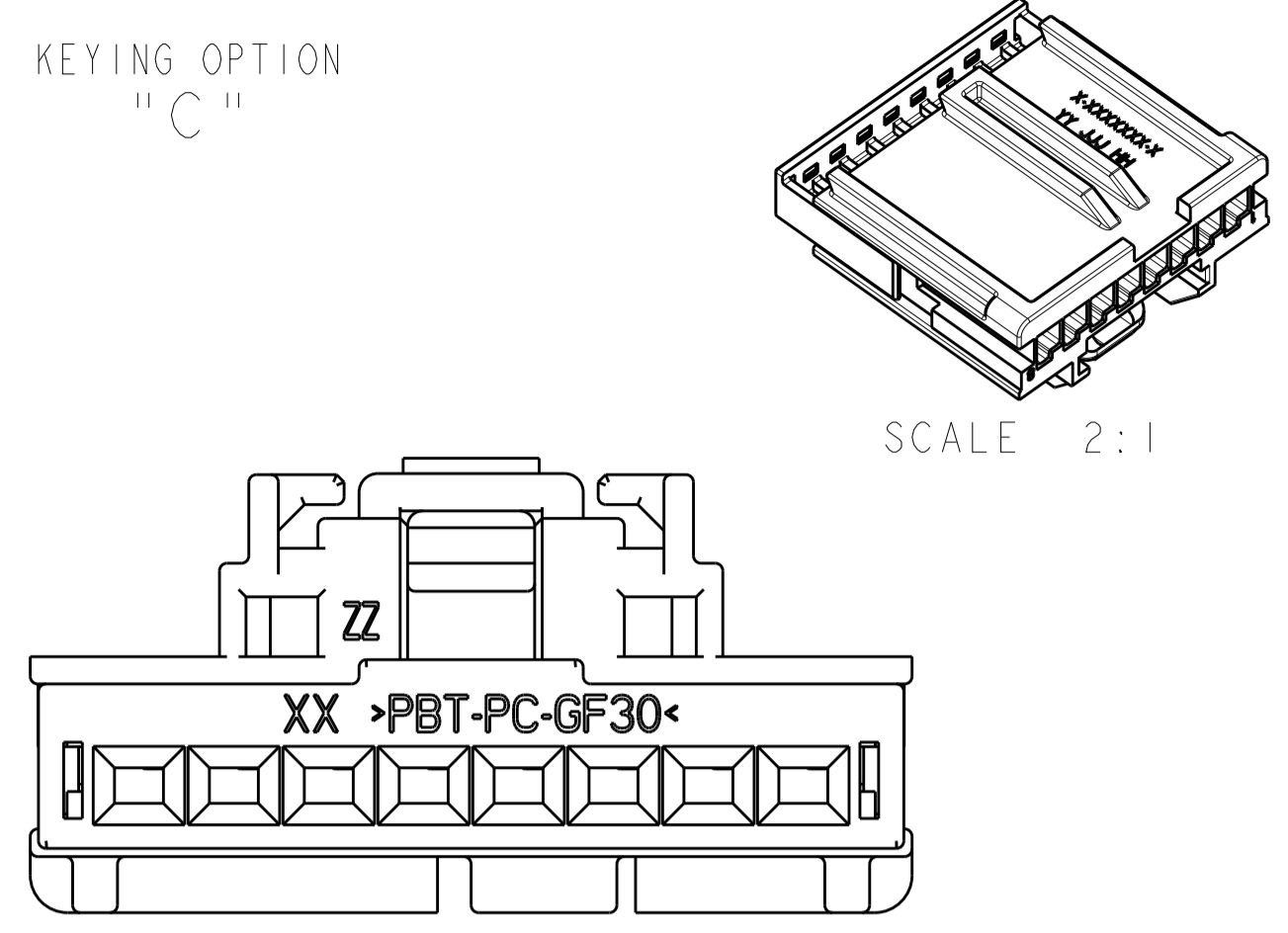
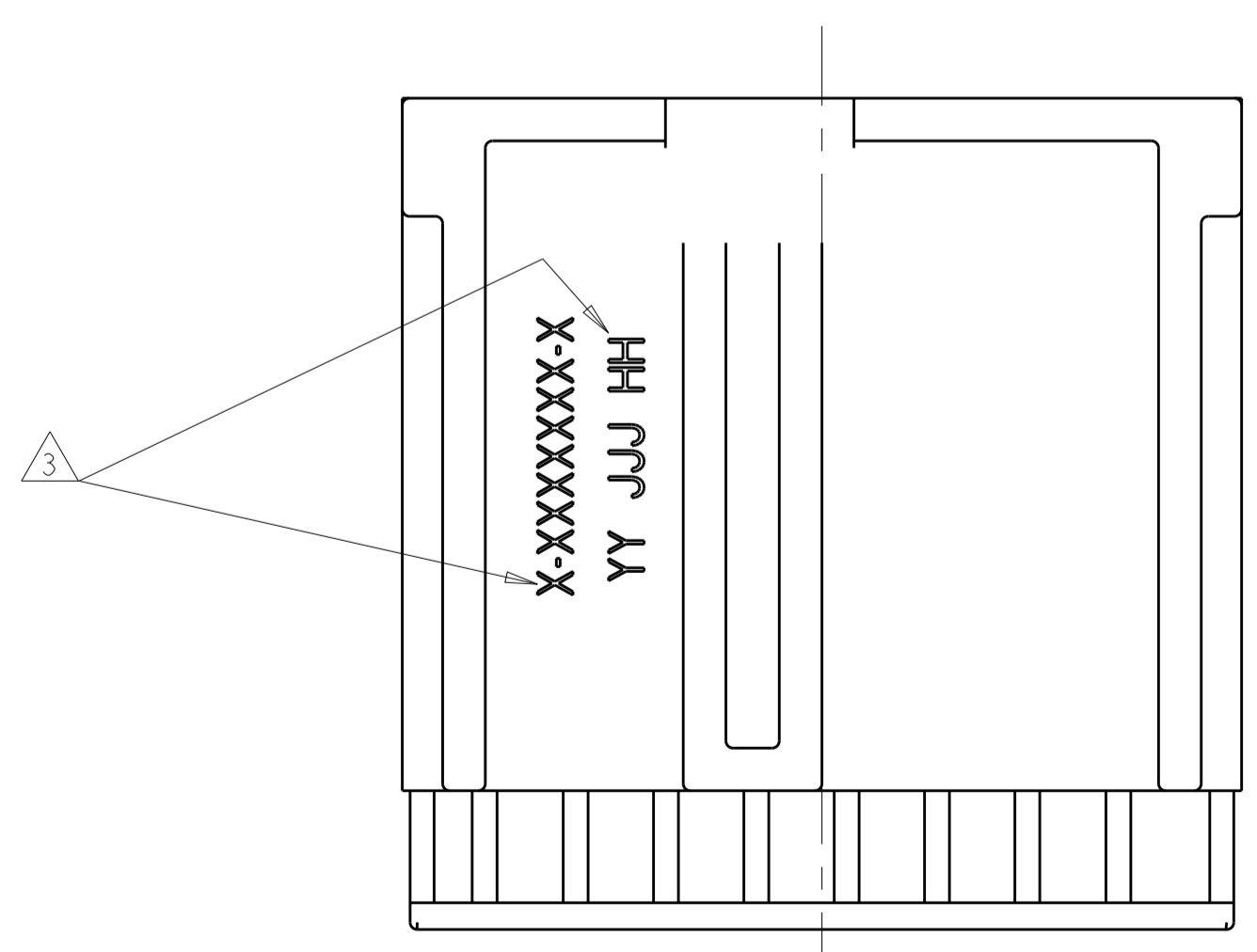
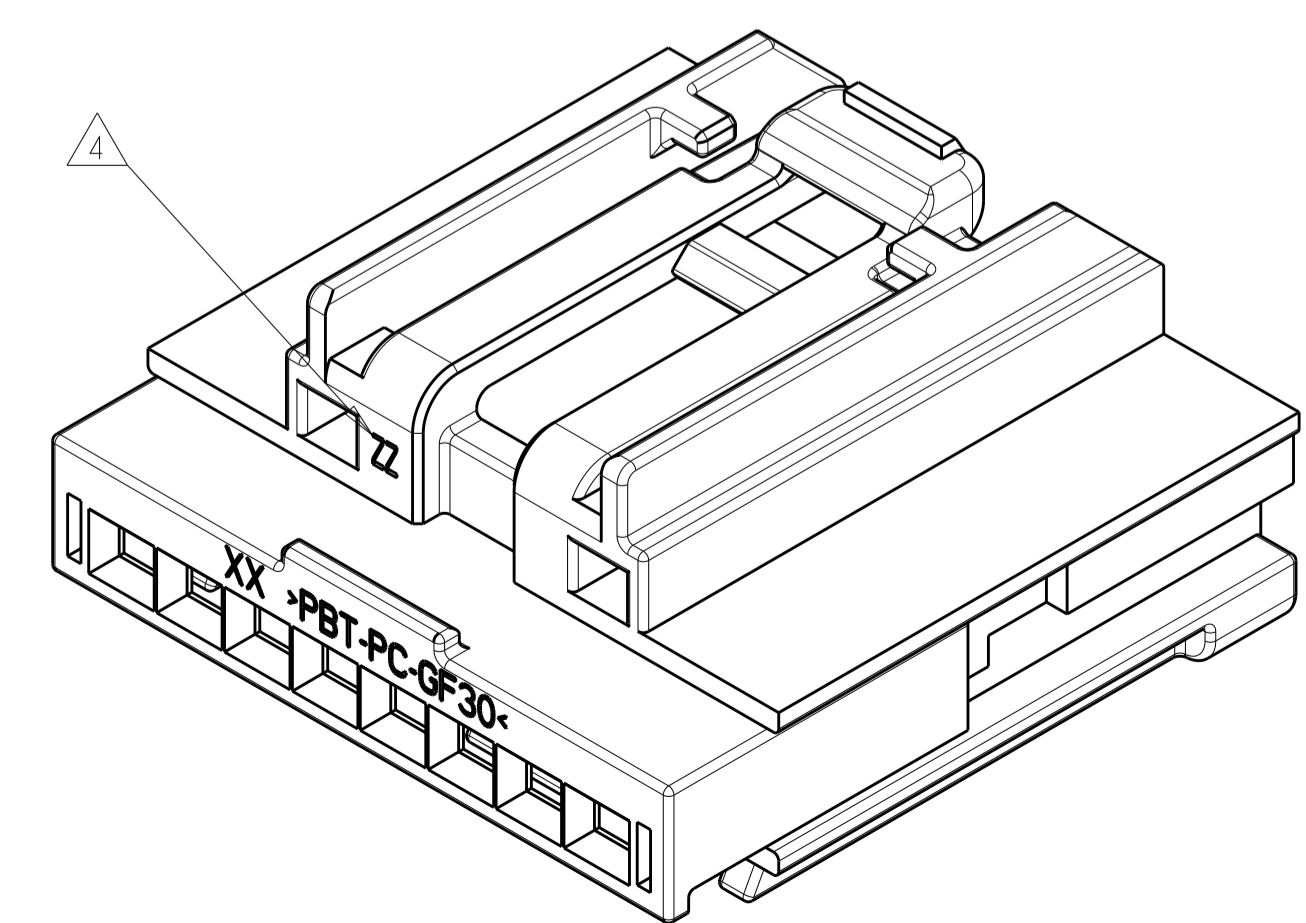
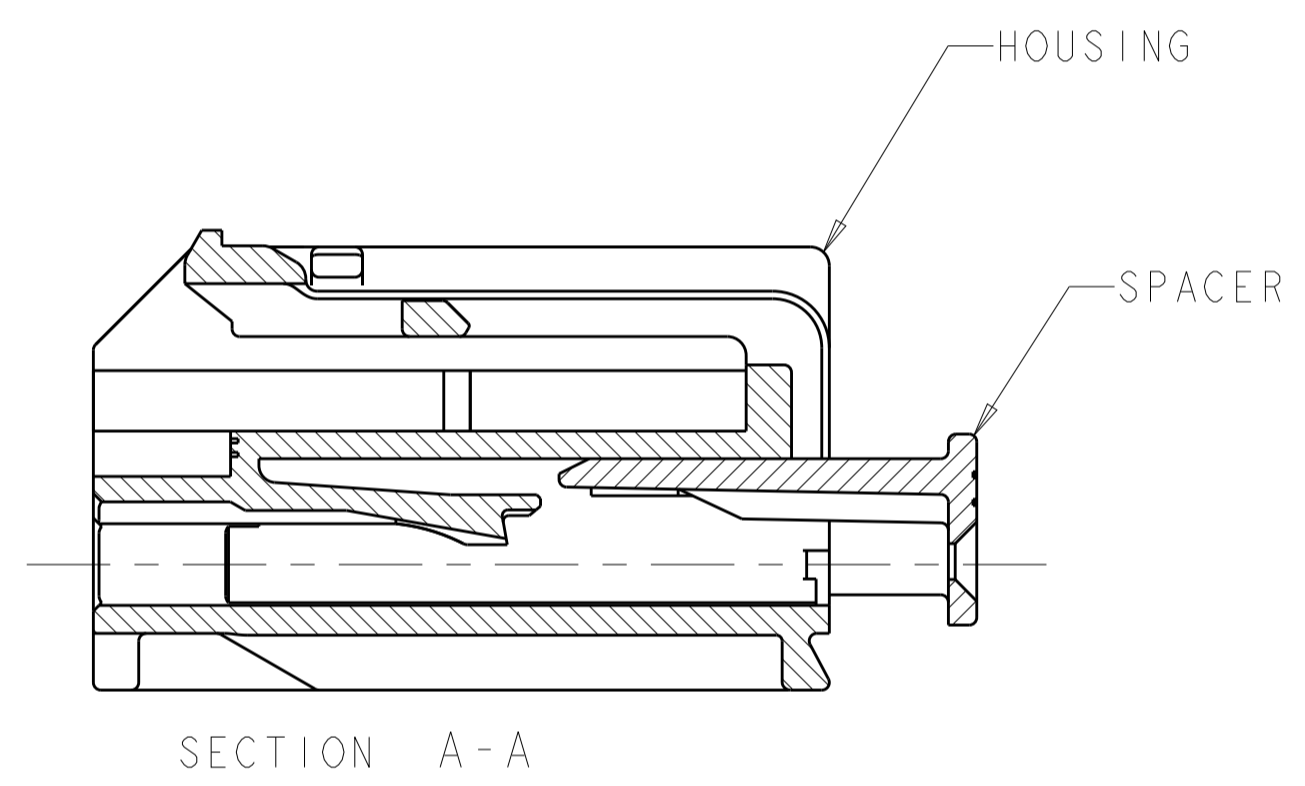
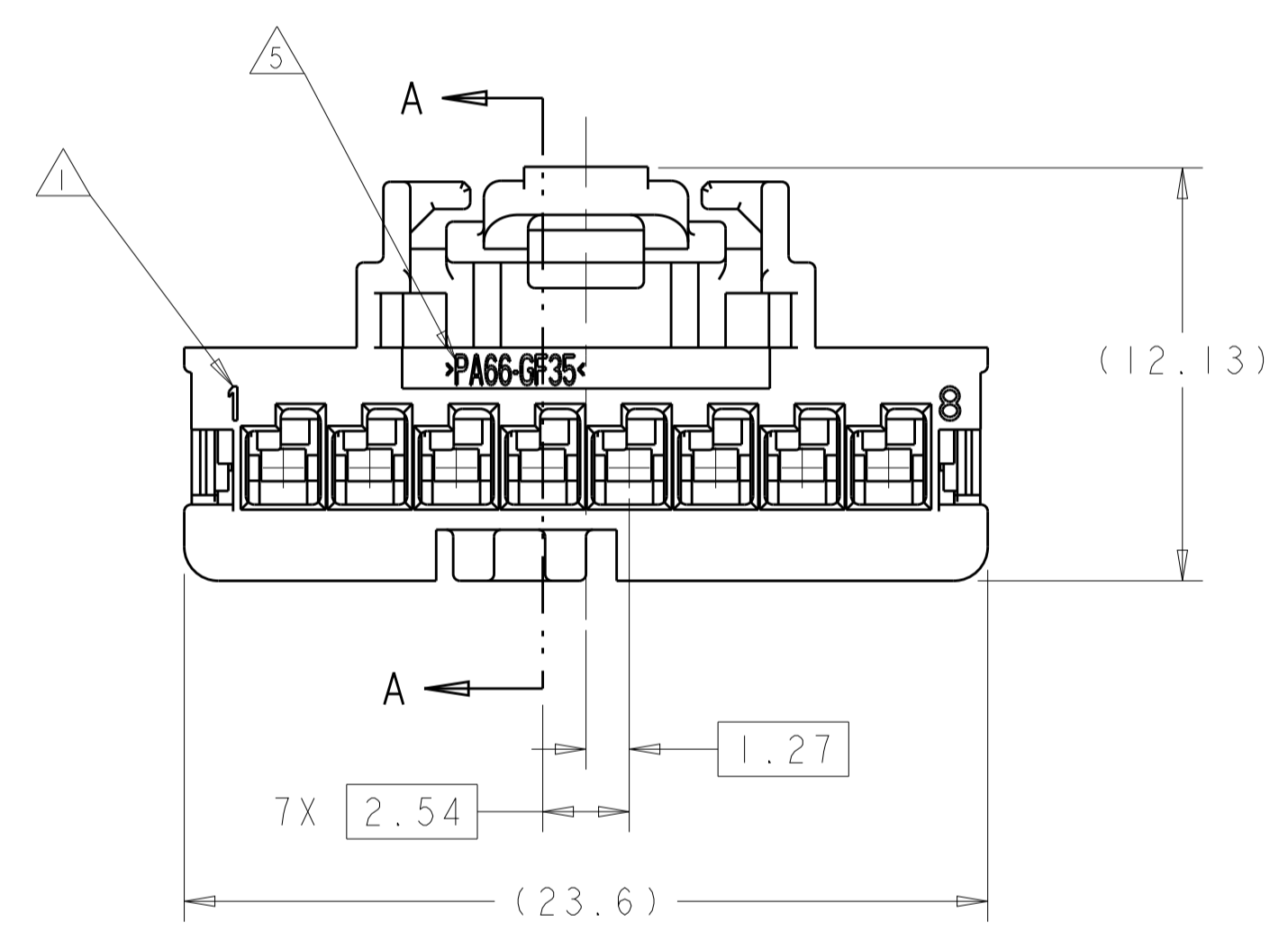
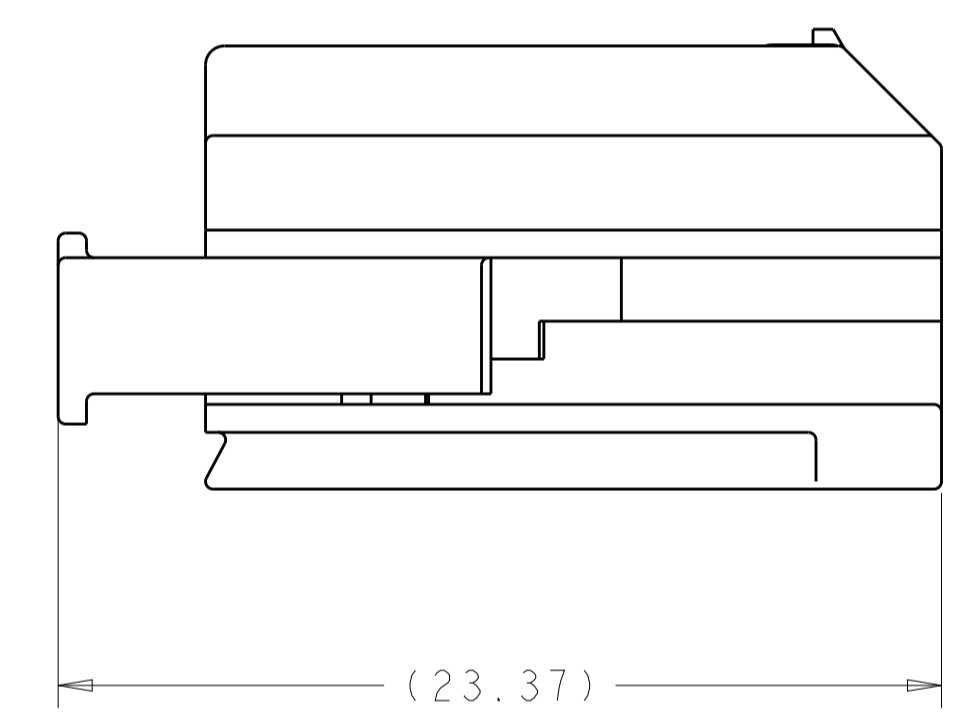
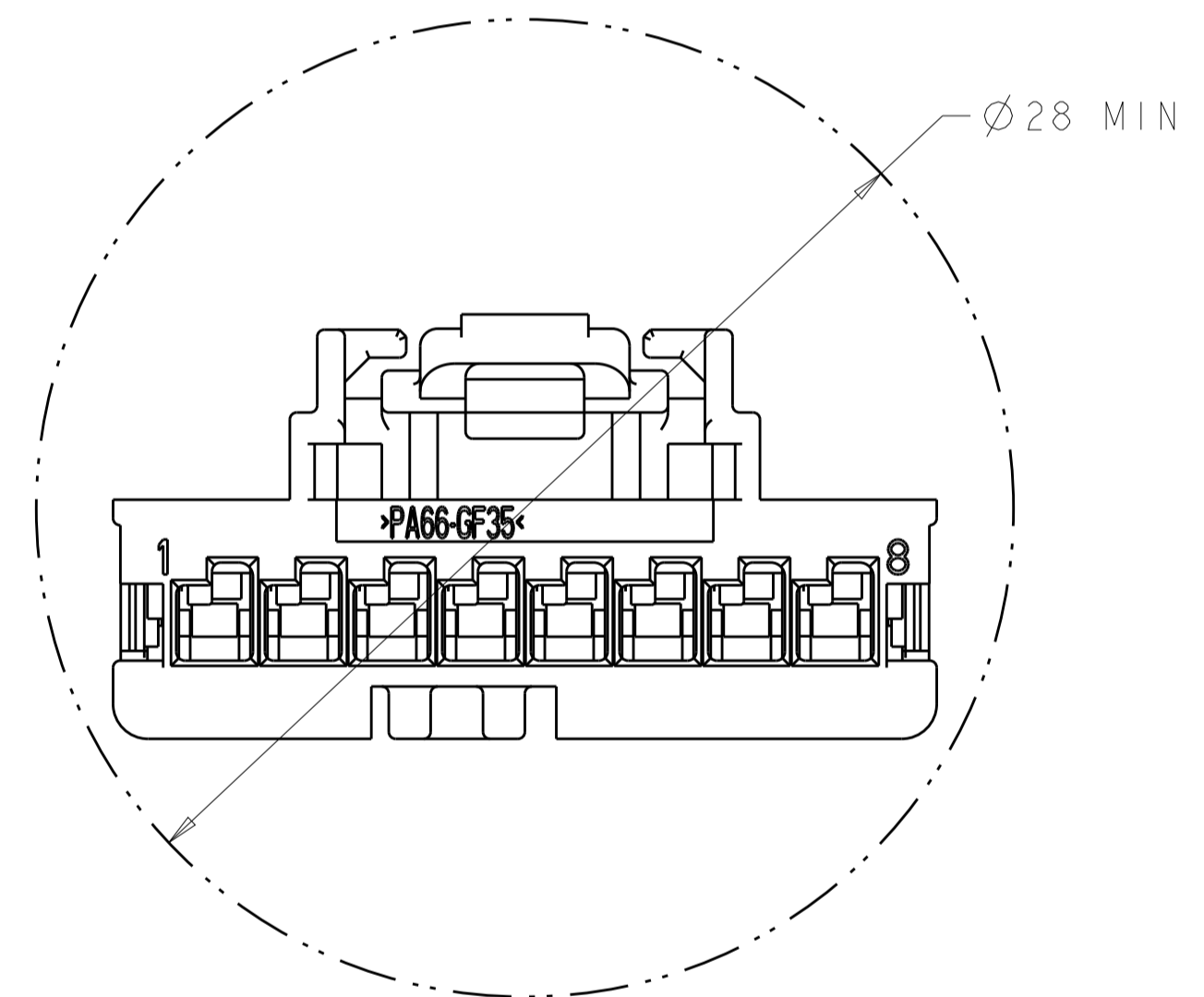


LOC	DIST	REVISIONS			
P	LTH	DESCRIPTION	DATE	DWN	APVD
A1		REVISED PER ECO-11-007403	08APR2011	DD	RL
A2		REVISED PER ECO-11-010896	31MAY2011	DD	RL
A3		REVISED PER ECO-11-015077	15SEP2011	DD	RL
A4		ECO-17-017583	01DEC2017	KP	CM



- 1. TERMINAL CAVITY ID.
- 2. SPACER IS SHIPPED IN PRE-ASSEMBLY POSITION.
- 3. TE ASSEMBLY PART NUMBER AND DATE CODE LOCATED ON THIS SURFACE. LOCATION AND ORIENTATION OPTIONAL.
- 4. MOLD CAVITY ID.
- 5. MATERIAL IDENTIFICATION.
- 6. PACKAGING: CONNECTOR ASSEMBLIES BULK PACKED IN CARDBOARD BOX.
- 7. DURING SHIPPING AND HANDLING THE TPA MAY BE DISPLACED TO IT'S LOCKED POSITION. THE CONNECTOR CAN BE RETURNED TO IT'S PROPER FUNCTION USING IS SHEET 408-10104.
- 8. APPLICABLE TERMINAL PART NUMBERS (SOLD SEPARATELY) GOLD APPLICATIONS 1393364 AND 1393365. TIN APPLICATIONS 1393366 AND 1393367 FOR TERMINATION AND REELING OPTIONS, SEE DRAWINGS: 1393364, 1393365, 1393366 AND 1393367.



"B"	PBT	RED	NYLON	BLACK	1924639-3
"D"	PBT	RED	NYLON	BLACK	1924639-2
"C"	PBT	RED	NYLON	BLACK	1924639-1
KEY	MATERIAL	COLOR	MATERIAL	COLOR	PART NUMBER
	SPACER		HOUSING		

THIS DRAWING IS A CONTROLLED DOCUMENT.

DWN: R. VESTAL 10AUG2007
 CHK: D. STRAUSSER 10AUG2007
 APVD: D. STRAUSSER 10AUG2007

TE Connectivity

NAME: IX8 POSITION, GET FEMALE CONNECTOR ASSEMBLY, UNSEALED, LOW PROFILE LATCH

SIZE: A1 CAGE CODE: 100779 DRAWING NO: 1924639

RESTRICTED TO: A4

MATERIAL: - FINISH: - WEIGHT: - CUSTOMER DRAWING

SCALE: 5:1 SHEET: 1 OF 1 REV: A4

X-ON Electronics

Largest Supplier of Electrical and Electronic Components

Click to view similar products for [Automotive Connectors](#) category:

Click to view products by [TE Connectivity](#) manufacturer:

Other Similar products are found below :

[003-018-000](#) [60403001](#) [60993906-B](#) [M902-2131](#) [M902-2161](#) [M902-2344](#) [72.330.1035.1](#) [73.353.4028.0](#) [F119300-B](#) [F166900](#) [F258300-B](#)
[F358300-B](#) [F407400](#) [F444110](#) [F487000](#) [F509500B-B](#) [827153-1](#) [8N1515-32-24P](#) [9-1326729-8](#) [925474-1](#) [928905-1](#) [964562-4](#) [968782-1](#)
[GT17SA-8DS-HU](#) [98891-1012](#) [98947-1016](#) [12004147](#) [12004475-L](#) [12010290](#) [12010309-B](#) [12015454](#) [12020219-B](#) [12041318-B](#) [12052225-](#)
[L](#) [12052466](#) [12064869](#) [12004327-B](#) [12015308](#) [12015384](#) [12015909](#) [1-21030-1](#) [12041254](#) [12041318](#) [12047946-B](#) [12047957](#) [12047957-L](#)
[12059473](#) [12066261](#) [12110546](#) [12110546-B](#)