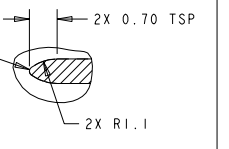
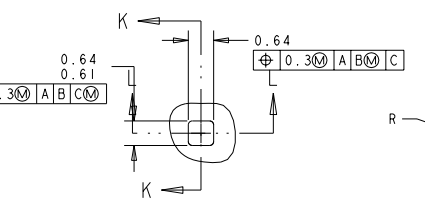
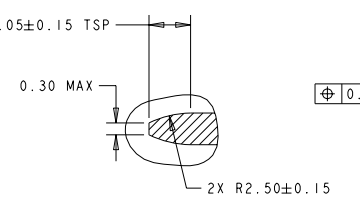
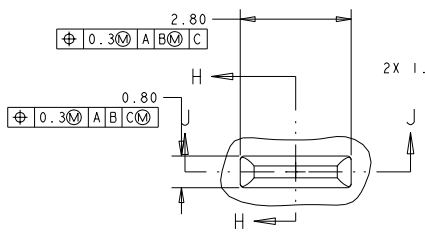
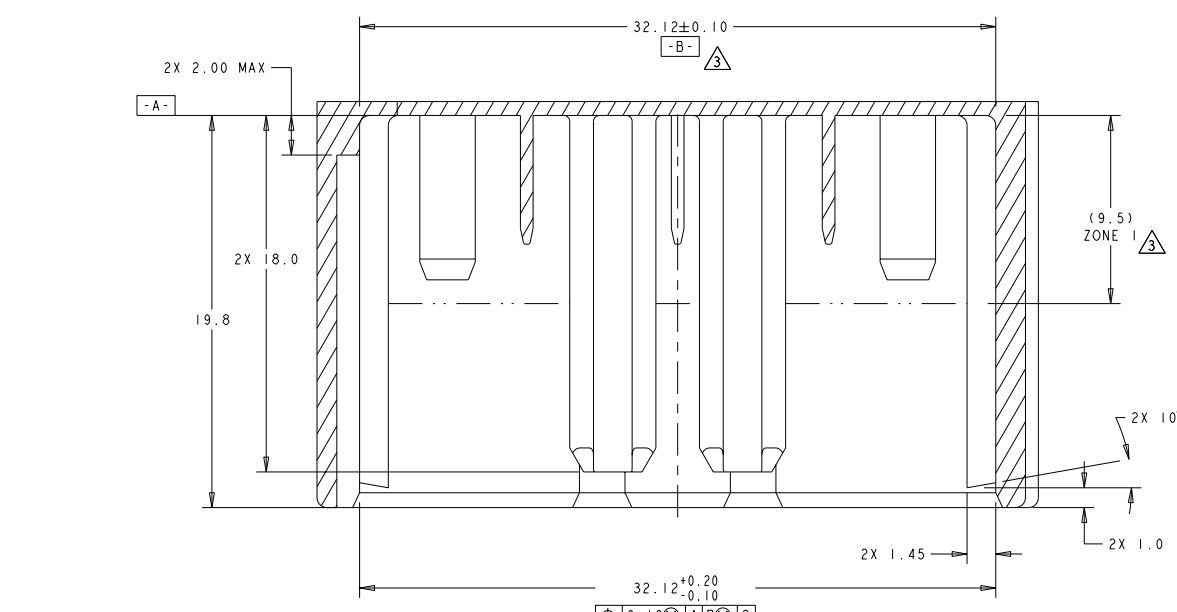


LOC		DIST		REVISIONS			
AV	IN	F	LTN	DESCRIPTION	DATE	DRN	APPD
		1		FIRST DRAFT	07AUG2007	MBH	AV
		2		REVISED - ADDED CUTOUTS TO SIDE WALLS	12JAN2009	MBH	AV
		A		RELEASE	03APR2009	AV	AV

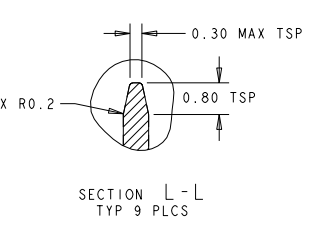
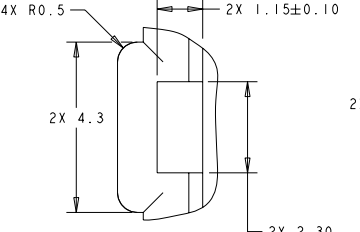
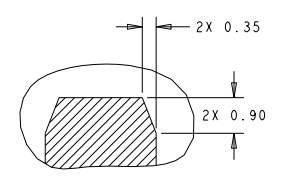


DETAIL M
TYP 4 PLCS
SCALE 12:1

SECTION H-H
TYP 4 PLCS

DETAIL N
TYP 9 PLCS
SCALE 12:1

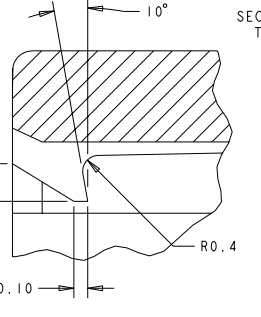
SECTION K-K
TYP 9 PLCS



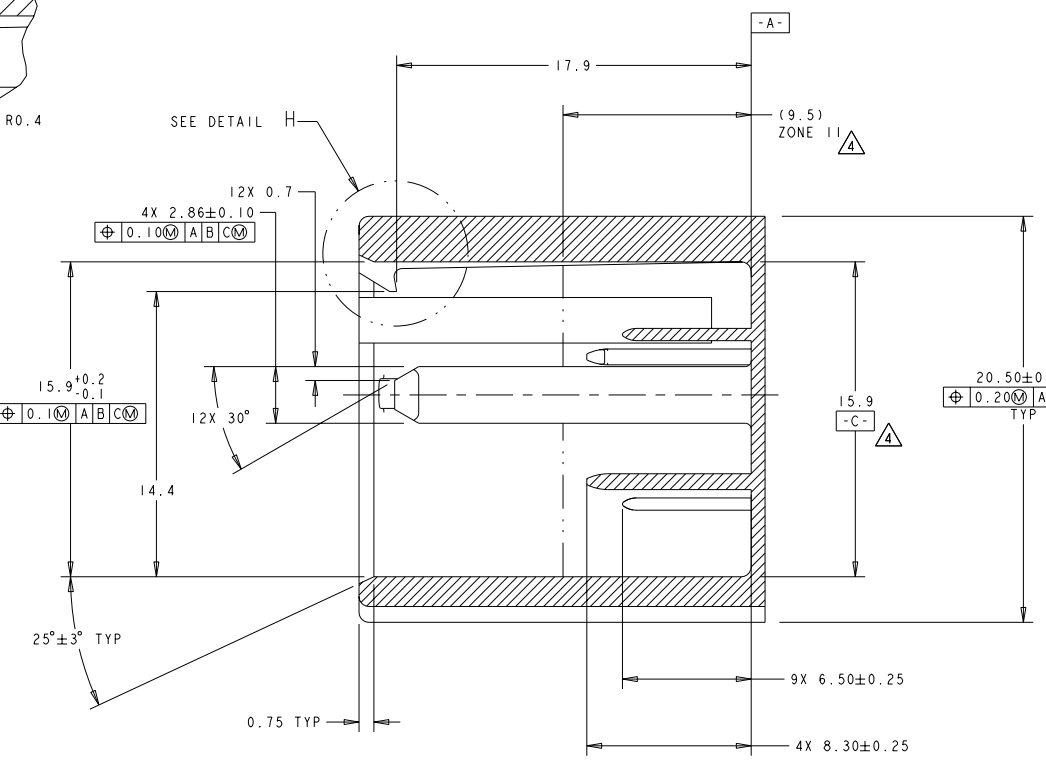
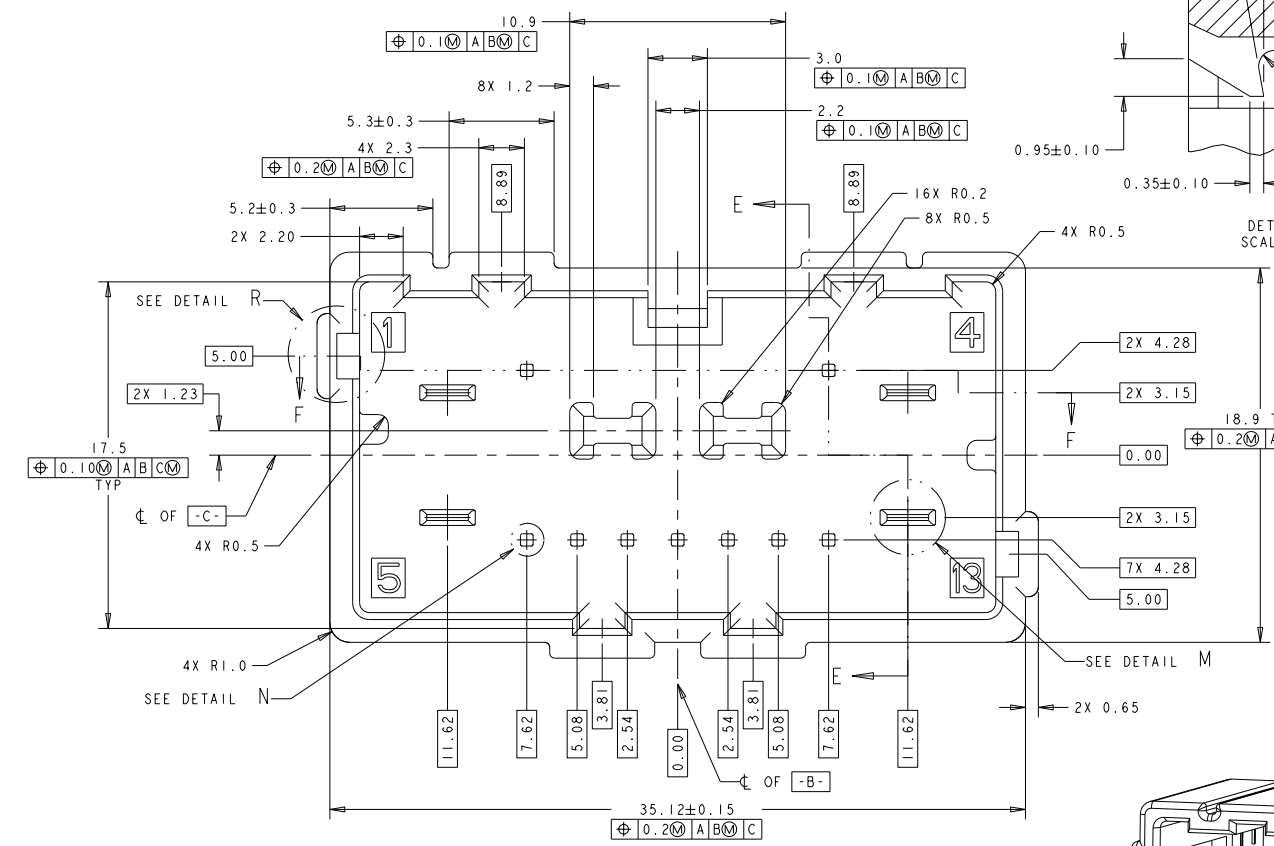
SECTION J-J
TYP 4 PLCS

DETAIL R
SCALE 12:1

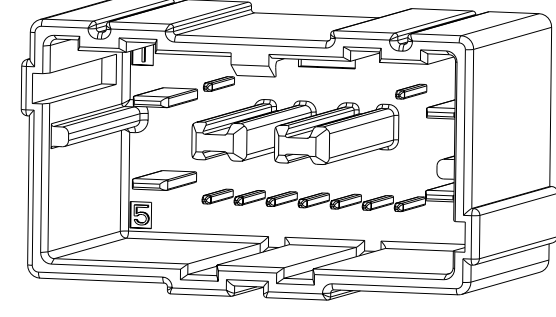
SECTION L-L
TYP 9 PLCS



DETAIL H
SCALE 12:1



SECTION E-E



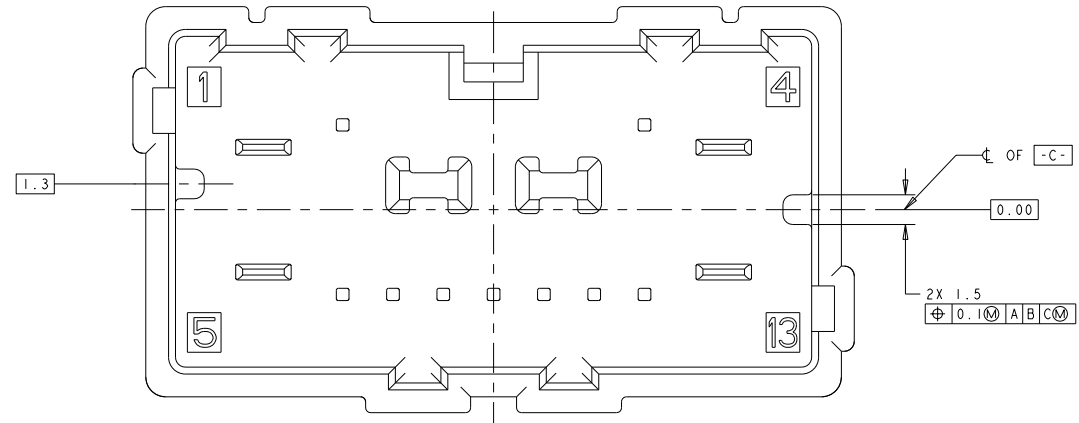
ISOMETRIC VIEWS
SCALE 4:1

- NOTES:
- KEYING OPTION "A" SHOWN IN GENERAL VIEWS.
 - 0.64 PINS: 0.8µm MIN TIN FOR A LENGTH OF 4.15 MIN FROM MATING END, OVER 2.0µm MIN NICKEL.
 - 2.8 BLADES: 0.8µm MIN TIN FOR A LENGTH OF 6.2 MIN FROM MATING END, OVER 2.0µm MIN NICKEL.
 - DATUM SIZE TO BE MEASURED IN ZONE I.
 - DATUM SIZE TO BE MEASURED IN ZONE II.
 - DRAFT WITHIN TOLERANCE.
 - ALL UNMARKED RADII TO BE R0.3±0.1, UNLESS OTHERWISE SPECIFIED.
 - MATES WITH TE PART # 1924667

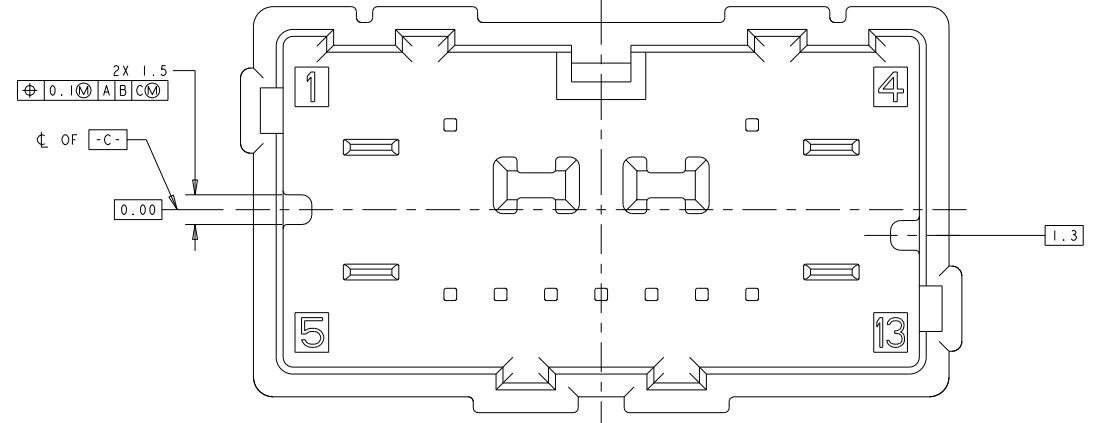
DIMENSIONS:		TOLERANCES UNLESS OTHERWISE SPECIFIED:		DRAWN: M. HITCHCOCK		Tyco Electronics	
mm		0 PLC ±0.0		07AUG2007		Harrisburg, PA 17105-3608	
Ø		1 PLC ±0.1		CHK: A. YASBINDER		13 POSITION (9-0.64 X 4-2.8)	
Ø		2 PLC ±0.05		APPD: A. YASBINDER		UNSEALED INTERFACE	
Ø		3 PLC ±0.0		PRODUCT SPEC		-	
Ø		4 PLC ±0.0		APPLICATION SPEC		-	
Ø		ANGLES ±1°		WEIGHT		-	
Ø		FINISH		CUSTOMER DRAWING		-	
Ø		MATERIAL		SIZE		RESTRICTED TO	
Ø		-		A 00779		-	
Ø		-		DRAWING NO		-	
Ø		-		C=1924667-INT		-	
Ø		-		SCALE		-	
Ø		-		6:1		-	
Ø		-		SHEET		-	
Ø		-		1 OF 2		-	
Ø		-		REV		-	
Ø		-		A		-	

THIS DRAWING IS UNPUBLISHED. RELEASED FOR PUBLICATION 20
 © COPYRIGHT 20 BY TYCO ELECTRONICS CORPORATION. ALL RIGHTS RESERVED.

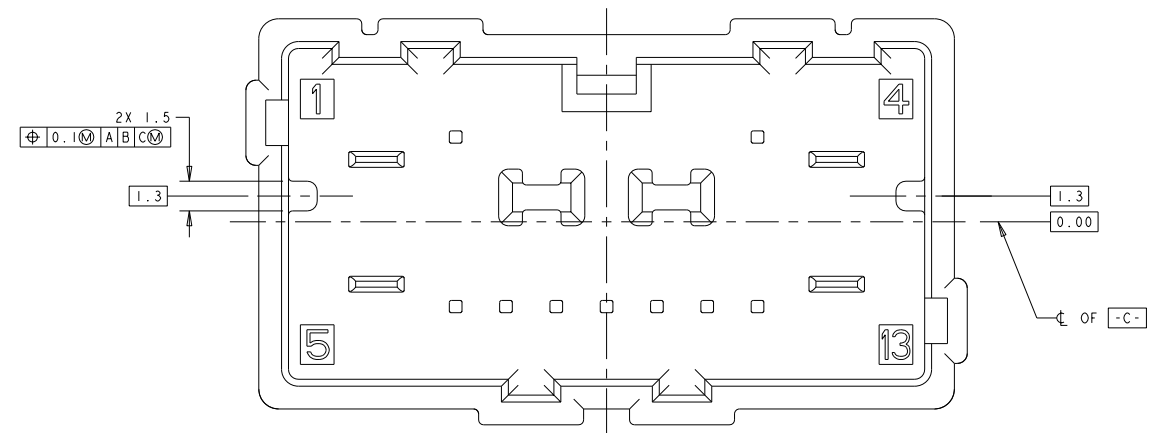
LOC		DIST		REVISIONS			
AV	IN	P	LTN	DESCRIPTION	DATE	DRN	APFD
-	-	-	-	SEE SHEET 1	-	-	-



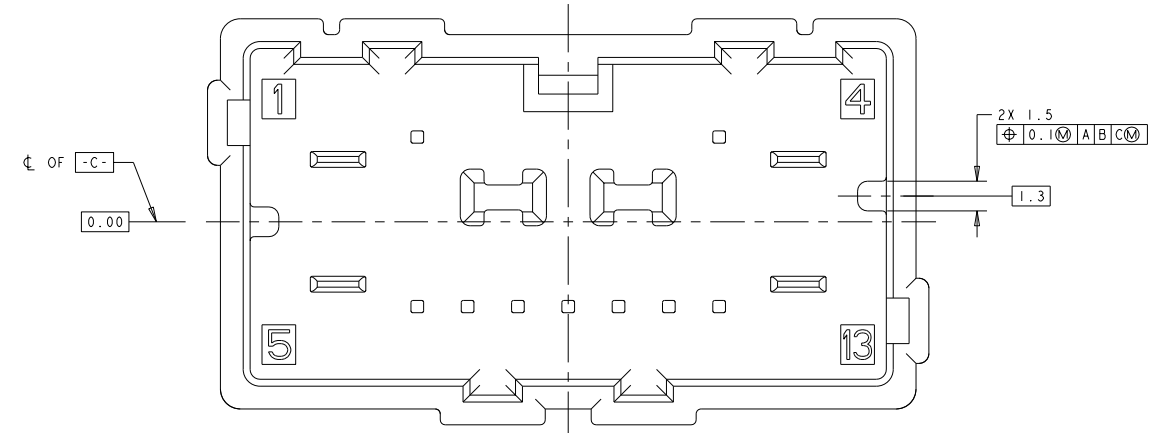
KEYING OPTION "A"
SCALE 6:1



KEYING OPTION "B"
SCALE 6:1



KEYING OPTION "C"
SCALE 6:1



KEYING OPTION "D"
SCALE 6:1

<small>NOT DIMENSIONED TO CENTER UNLESS SPECIFIED OTHERWISE. DIMENSIONS SHOWN ARE UNLESS OTHERWISE SPECIFIED.</small>		DRN: M. HITCHCOCK 07AUG2007 CHK: A. VASBINDER 07AUG2007 APPD: A. VASBINDER 07AUG2007	Tyco Electronics Harrisburg, PA 17105-3608
DIMENSIONS: mm	TOLERANCES UNLESS OTHERWISE SPECIFIED: 0 PLC ±0.0 1 PLC ±0.1 2 PLC ±0.05 3 PLC ±0.0 4 PLC ±0.0 ANGLES ±1° FINISH	NAME: 13 POSITION (9-0.64 X 4-2.8) UNSEALED INTERFACE APPLICATION SPEC: - WEIGHT: - CUSTOMER DRAWING	SIZE: A CASE CODE: 00779 DRAWING NO: 1924667-INT RESTRICTED TO: - SCALE: 4:1 SHEET: 2 OF 2 REV: A

X-ON Electronics

Largest Supplier of Electrical and Electronic Components

Click to view similar products for [Automotive Connectors](#) category:

Click to view products by [TE Connectivity](#) manufacturer:

Other Similar products are found below :

[003-018-000](#) [60403001](#) [60993906-B](#) [M902-2131](#) [M902-2161](#) [M902-2344](#) [72.330.1035.1](#) [73.353.4028.0](#) [F119300-B](#) [F166900](#) [F258300-B](#)
[F358300-B](#) [F407400](#) [F444110](#) [F487000](#) [F509500B-B](#) [827153-1](#) [8N1515-32-24P](#) [9-1326729-8](#) [925474-1](#) [928905-1](#) [964562-4](#) [968782-1](#)
[GT17SA-8DS-HU](#) [98891-1012](#) [98947-1016](#) [12004147](#) [12004475-L](#) [12010290](#) [12010309-B](#) [12015454](#) [12020219-B](#) [12041318-B](#) [12052225-](#)
[L](#) [12052466](#) [12064869](#) [12004327-B](#) [12015308](#) [12015384](#) [12015909](#) [1-21030-1](#) [12041254](#) [12041318](#) [12047946-B](#) [12047957](#) [12047957-L](#)
[12059473](#) [12066261](#) [12110546](#) [12110546-B](#)