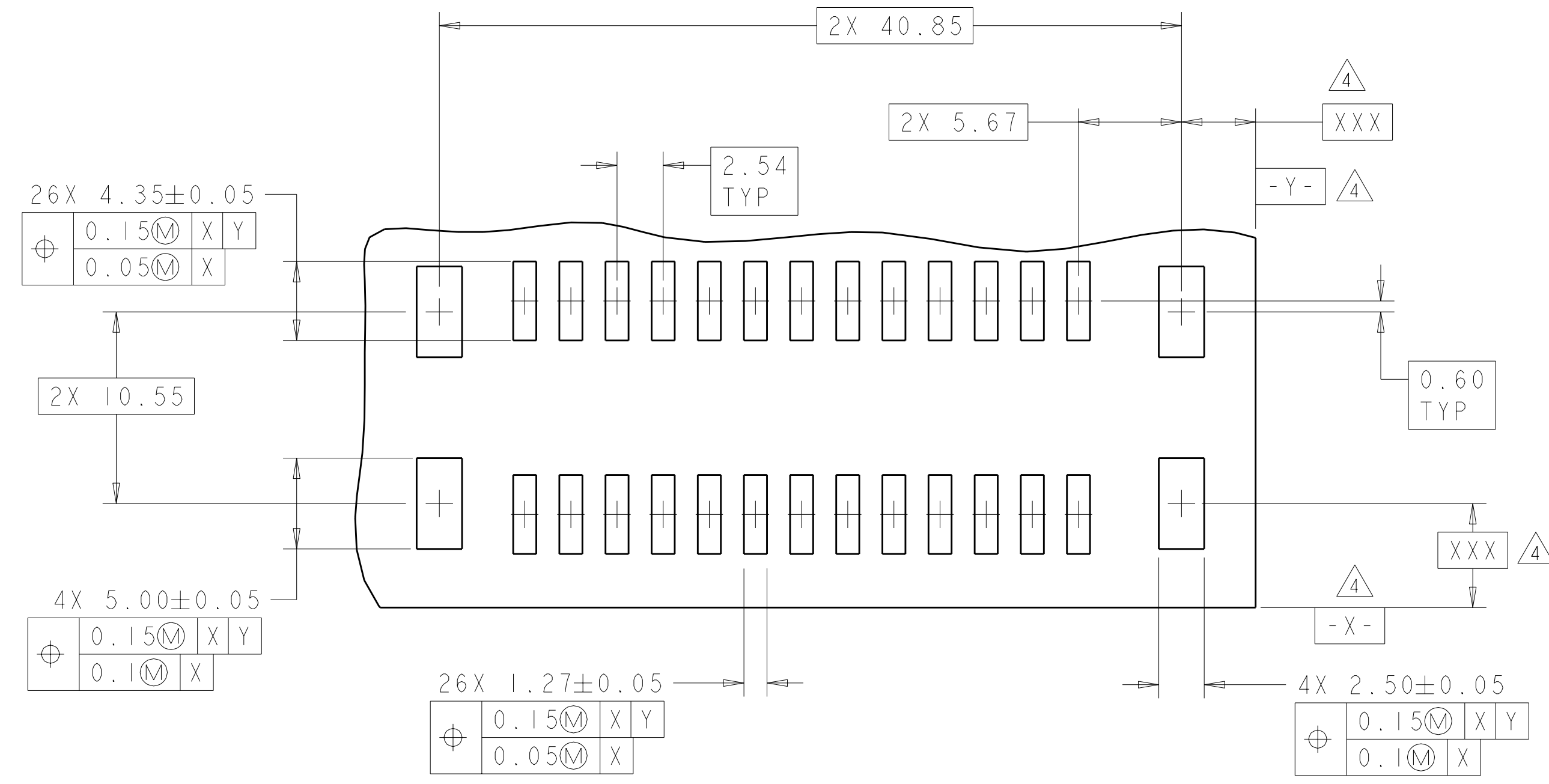
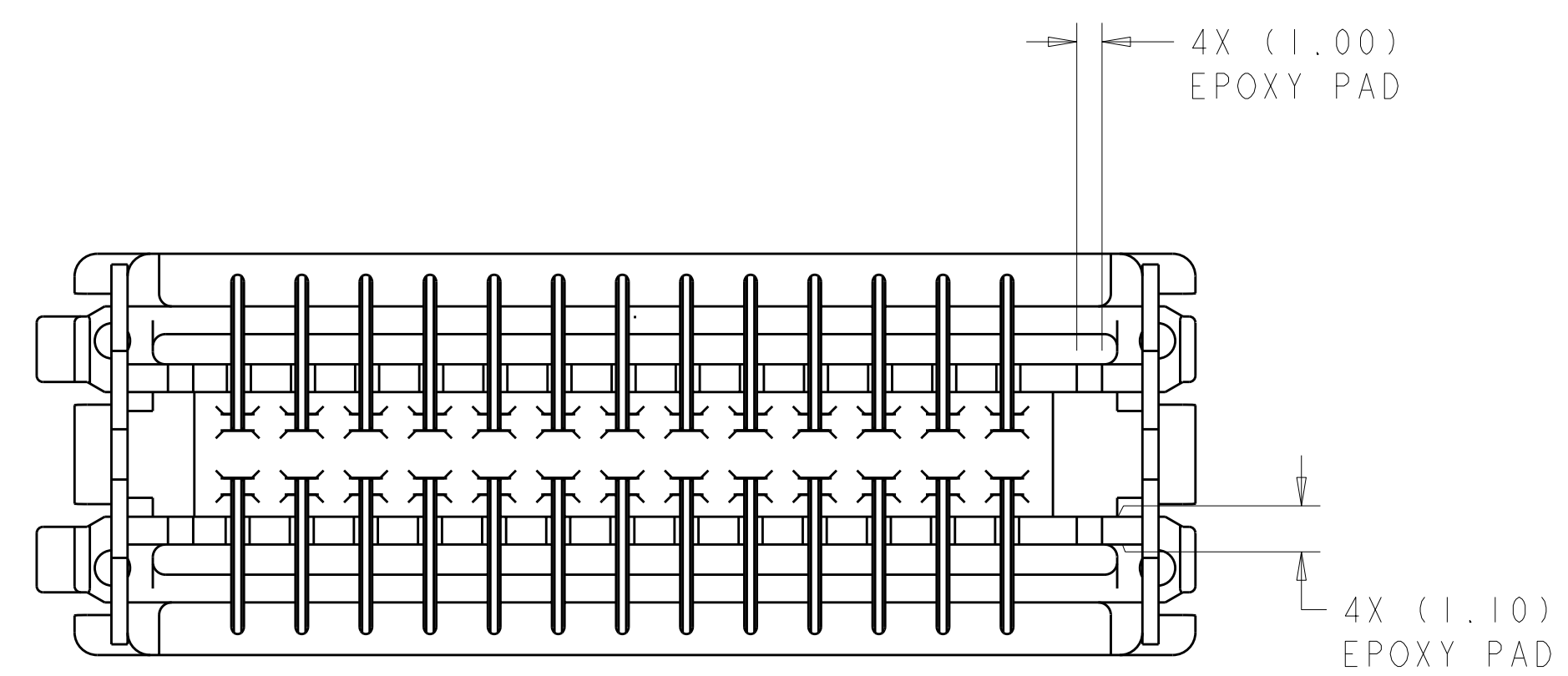
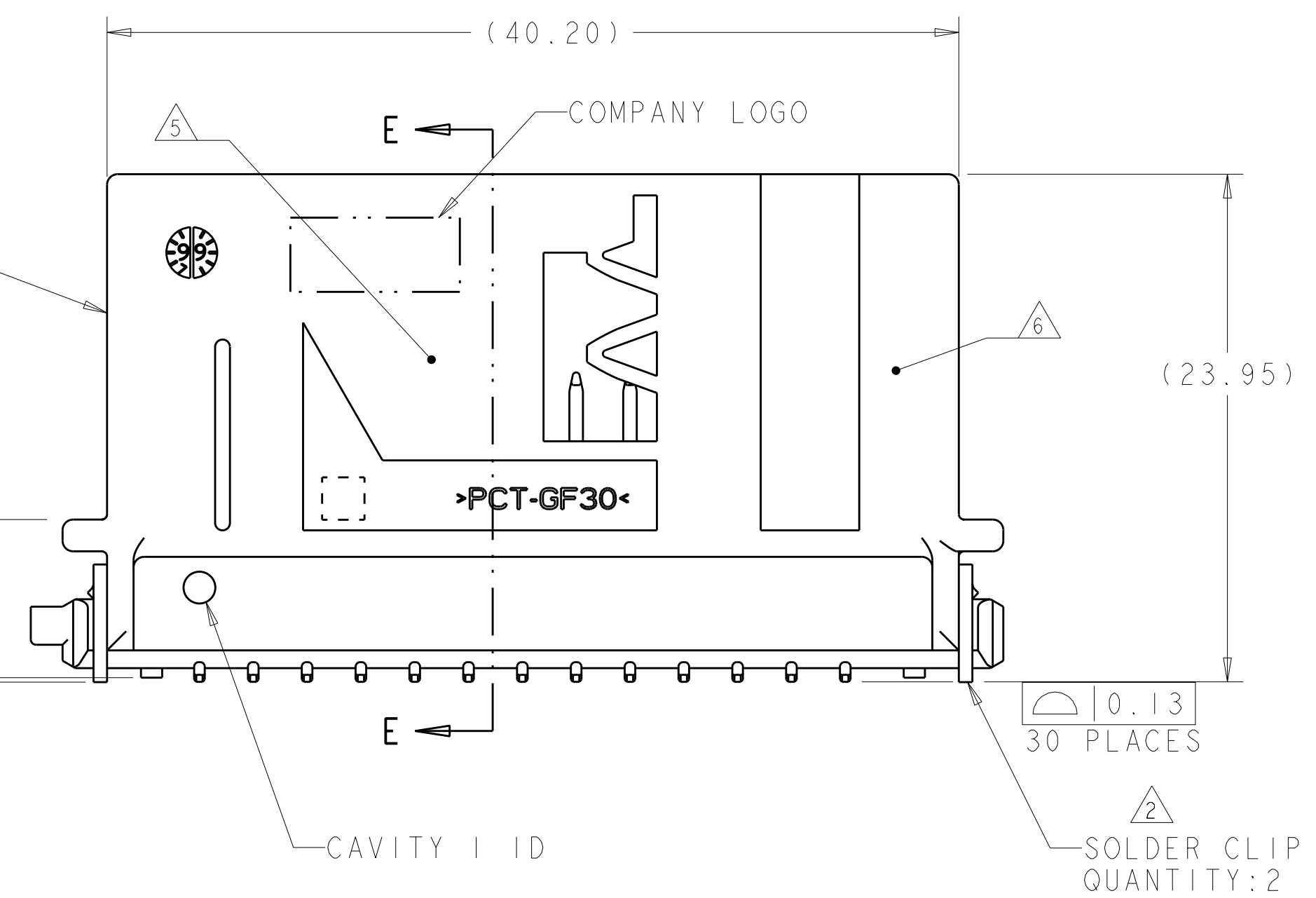
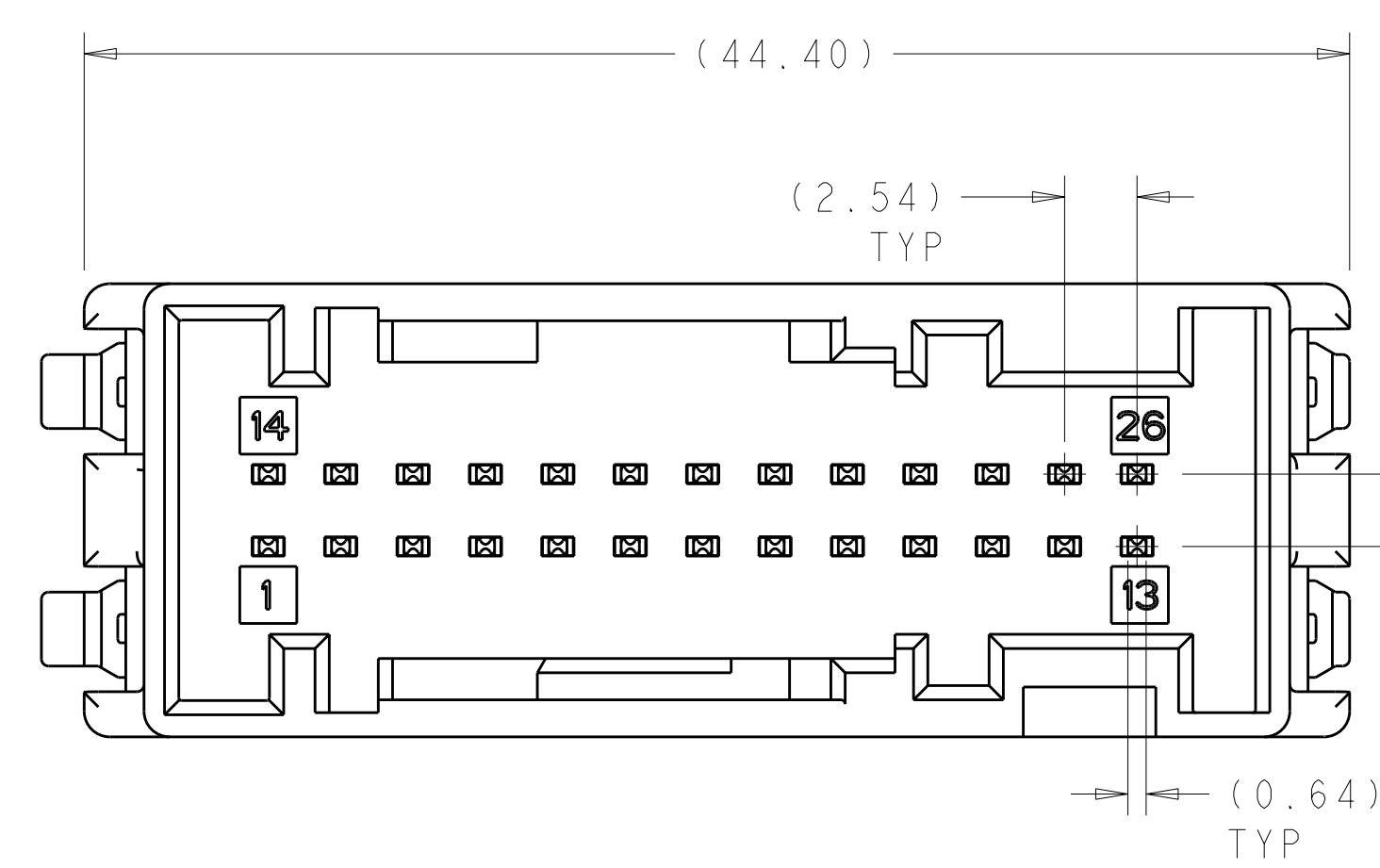
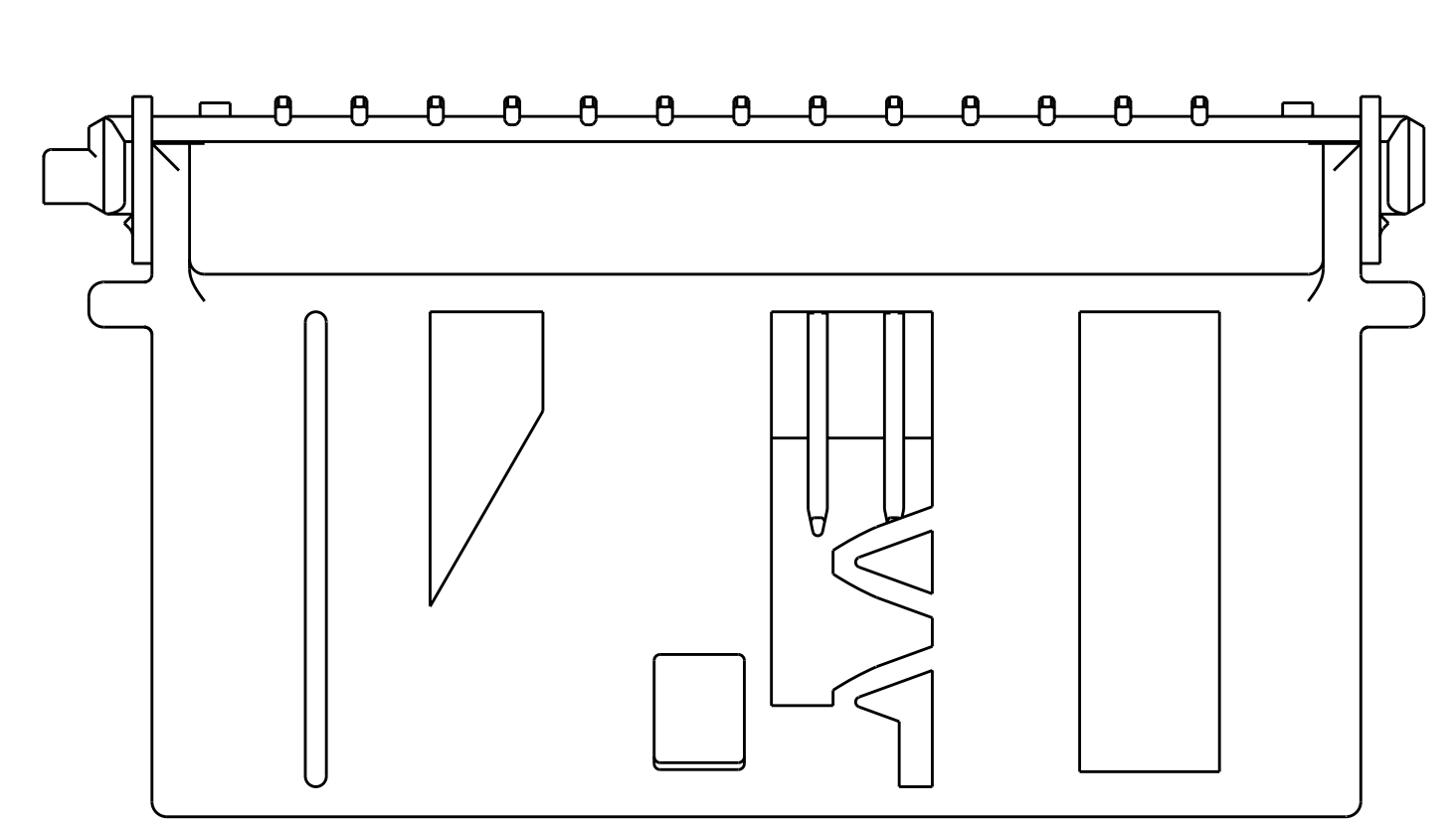
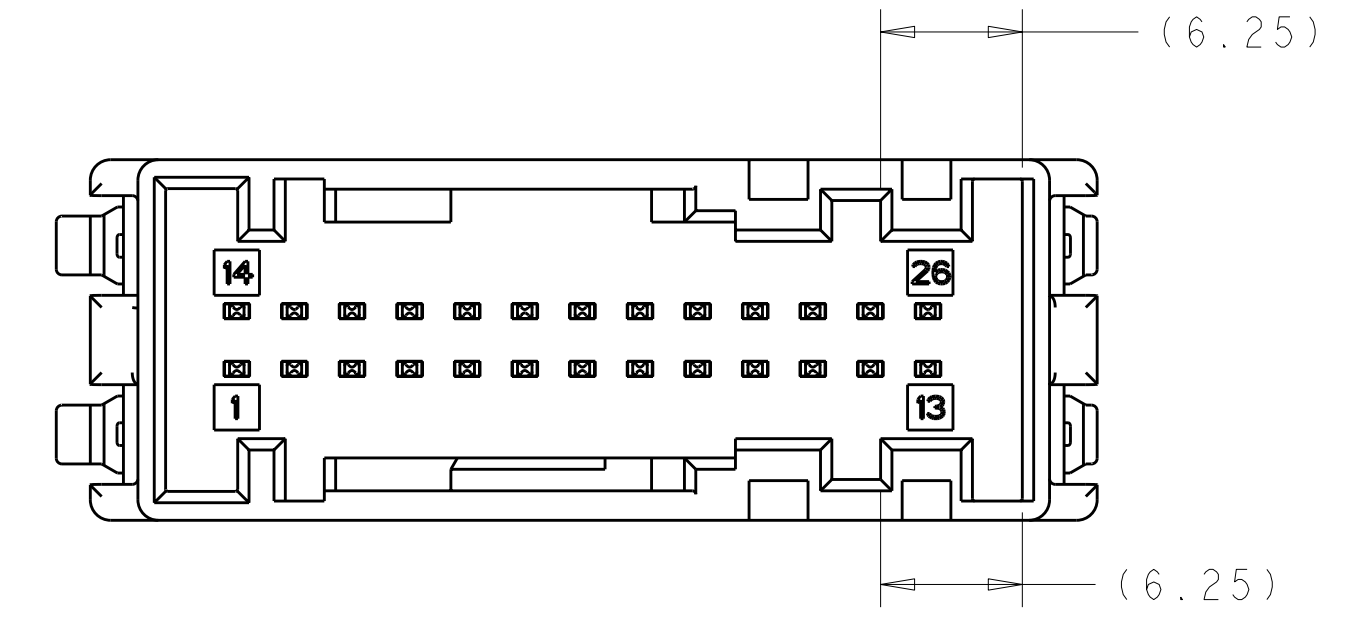


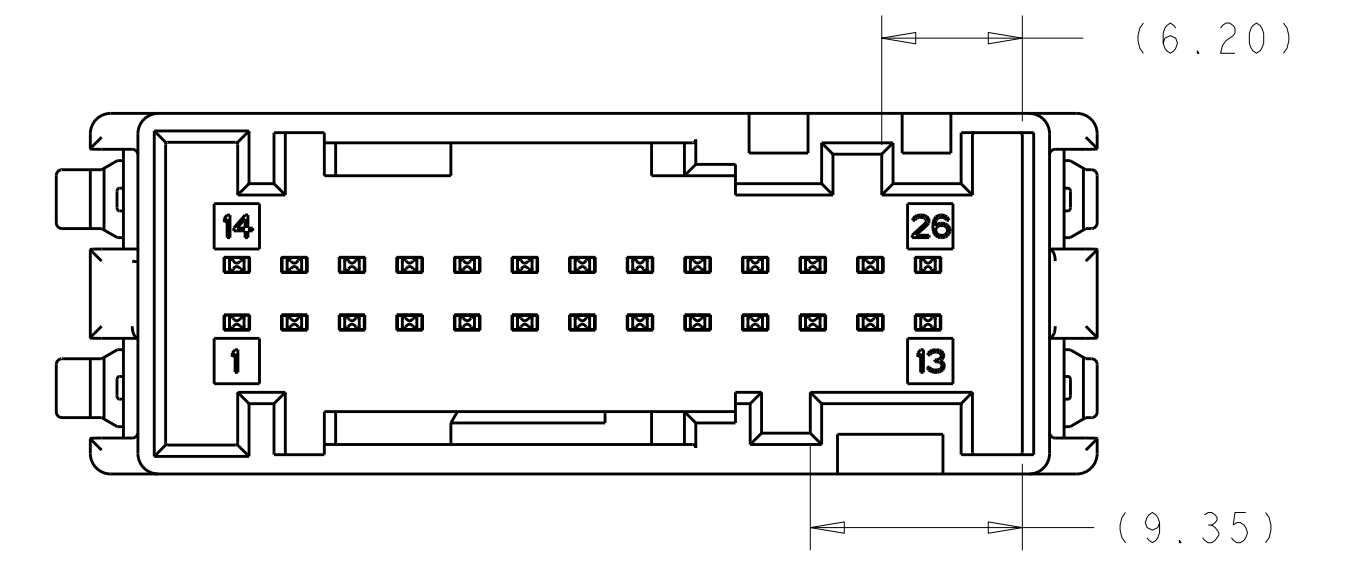
LOC	DIST	REV	DATE	BY	CHKD	APVD
1N	00	A	21JAN2008	RGV	RDH	
		A1	21MAY2008	DLD	RDH	
		A2	24NOV2009	DLD	CJS	
		A3	31MAY2010	VSS	CS	



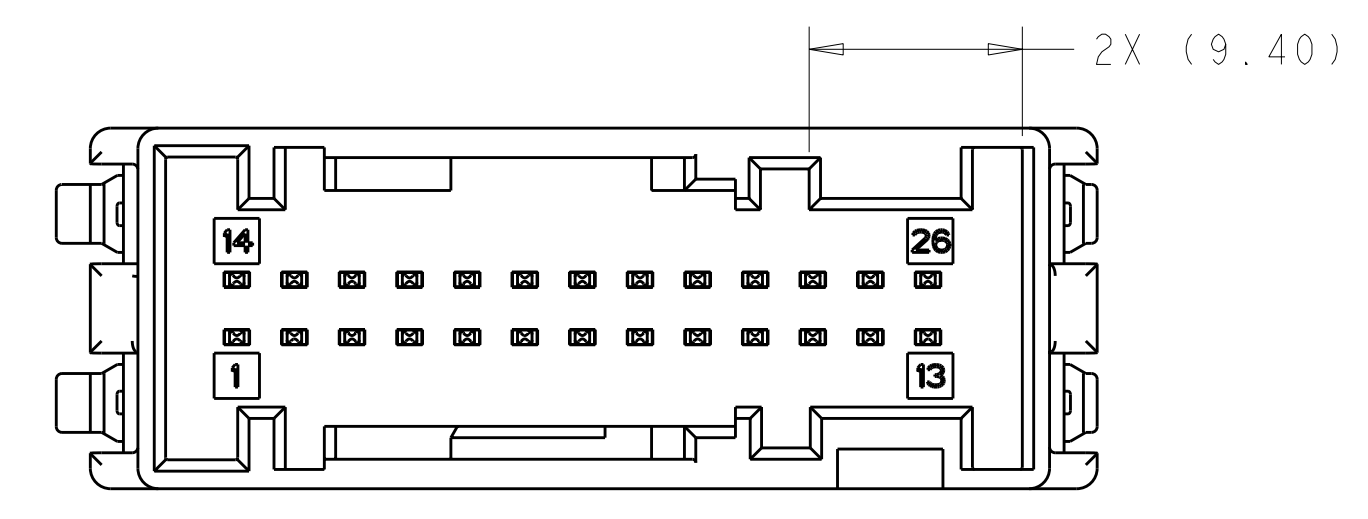
RECOMMENDED PC BOARD LAYOUT  
 CONNECTOR SIDE OF BOARD  
 SCALE 4:1



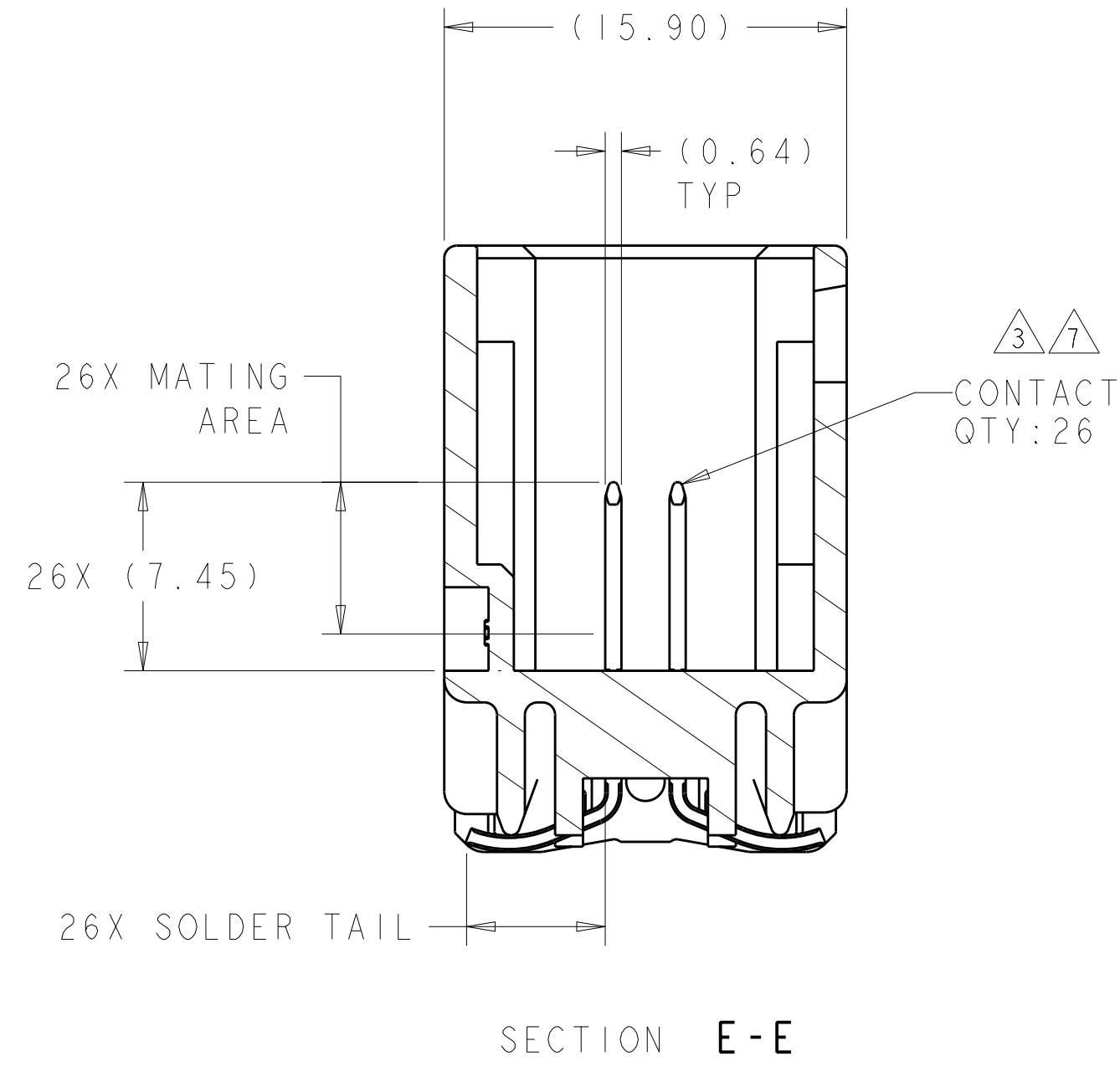
KEYING CODE "BF"  
 SCALE 3:1



KEYING CODE "BE"  
 SCALE 3:1



KEYING CODE "AE"  
 SCALE 3:1



- ① HOUSING: PCT, COLOR - SEE TABLE.  
CONTACTS: BRASS.  
SOLDER CLIP: BRASS.
- ② SOLDER CLIP: 3.8µm MIN TIN OVER 1.27µm MIN NICKEL.
- ③ CONTACT: 0.8µm MIN TIN IN MATING AREA AND 2.5µm MIN TIN IN SOLDER TAIL ALL OVER 1.00µm NICKEL.
- ④ DATUMS AND BASIC DIMENSIONS ESTABLISHED BY THE CUSTOMER.
- ⑤ ASSEMBLY DATE CODE.
- ⑥ PRODUCT PART NUMBER.
- ⑦ CONTACT: 0.38µm MIN GOLD IN MATING AREA AND 2.5µm MIN TIN IN SOLDER TAIL AREA, ALL OVER 1.00µm NICKEL.

FINISH	PACKAGE TUBE	KEYING CODE	COLOR	PART NUMBER
7	NON RETURNABLE	KEYING CODE "BF"	BLUE	1-1924678-6
7	NON RETURNABLE	KEYING CODE "AE"	BLACK	1-1924678-5
3	NON RETURNABLE	KEYING CODE "BF"	NATURAL	1-1924678-4
3	NON RETURNABLE	KEYING CODE "BF"	BLUE	1-1924678-3
3	NON RETURNABLE	KEYING CODE "BE"	GRAY	1-1924678-2
3	NON RETURNABLE	KEYING CODE "AE"	BLACK	1-1924678-1
3	RETURNABLE	KEYING CODE "BF"	NATURAL	1924678-4
3	RETURNABLE	KEYING CODE "BF"	BLUE	1924678-3
3	RETURNABLE	KEYING CODE "BE"	GRAY	1924678-2
3	RETURNABLE	KEYING CODE "AE"	BLACK	1924678-1

DIMENSIONS: mm 		TOLERANCES UNLESS OTHERWISE SPECIFIED: 9 PLC ± 1 PLC ± 3 PLC ± 4 PLC ± ANGLES ± FINISH ±		DWN BY: FOLTZ 25JUL2007 CHK: G. MARTIN 25JUL2007 APVD: G. MARTIN 25JUL2007		Tyco Electronics Harrisburg, PA 17105-3608	
MATERIAL: SEE CALLOUTS		WEIGHT: - CUSTOMER DRAWING		NAME: HEADER ASSEMBLY, 26 WAY, HAND MATE, VERTICAL, WITH SOLDER CLIPS, SURFACE MOUNT, LAC		SIZE: A11 00779 C=1924678 SCALE: 4:1 SHEET 1 OF 1 REV A3	

## X-ON Electronics

Largest Supplier of Electrical and Electronic Components

*Click to view similar products for [Automotive Connectors](#) category:*

*Click to view products by [TE Connectivity](#) manufacturer:*

Other Similar products are found below :

[003-018-000](#) [60403001](#) [60993906-B](#) [M902-2131](#) [M902-2161](#) [M902-2344](#) [72.330.1035.1](#) [73.353.4028.0](#) [F119300-B](#) [F166900](#) [F258300-B](#)  
[F358300-B](#) [F407400](#) [F444110](#) [F487000](#) [F509500B-B](#) [827153-1](#) [8N1515-32-24P](#) [9-1326729-8](#) [925474-1](#) [928905-1](#) [964562-4](#) [968782-1](#)  
[GT17SA-8DS-HU](#) [98891-1012](#) [98947-1016](#) [12004147](#) [12004475-L](#) [12010290](#) [12010309-B](#) [12015454](#) [12020219-B](#) [12041318-B](#) [12052225-](#)  
[L](#) [12052466](#) [12064869](#) [12004327-B](#) [12015308](#) [12015384](#) [12015909](#) [1-21030-1](#) [12041254](#) [12041318](#) [12047946-B](#) [12047957](#) [12047957-L](#)  
[12059473](#) [12066261](#) [12110546](#) [12110546-B](#)