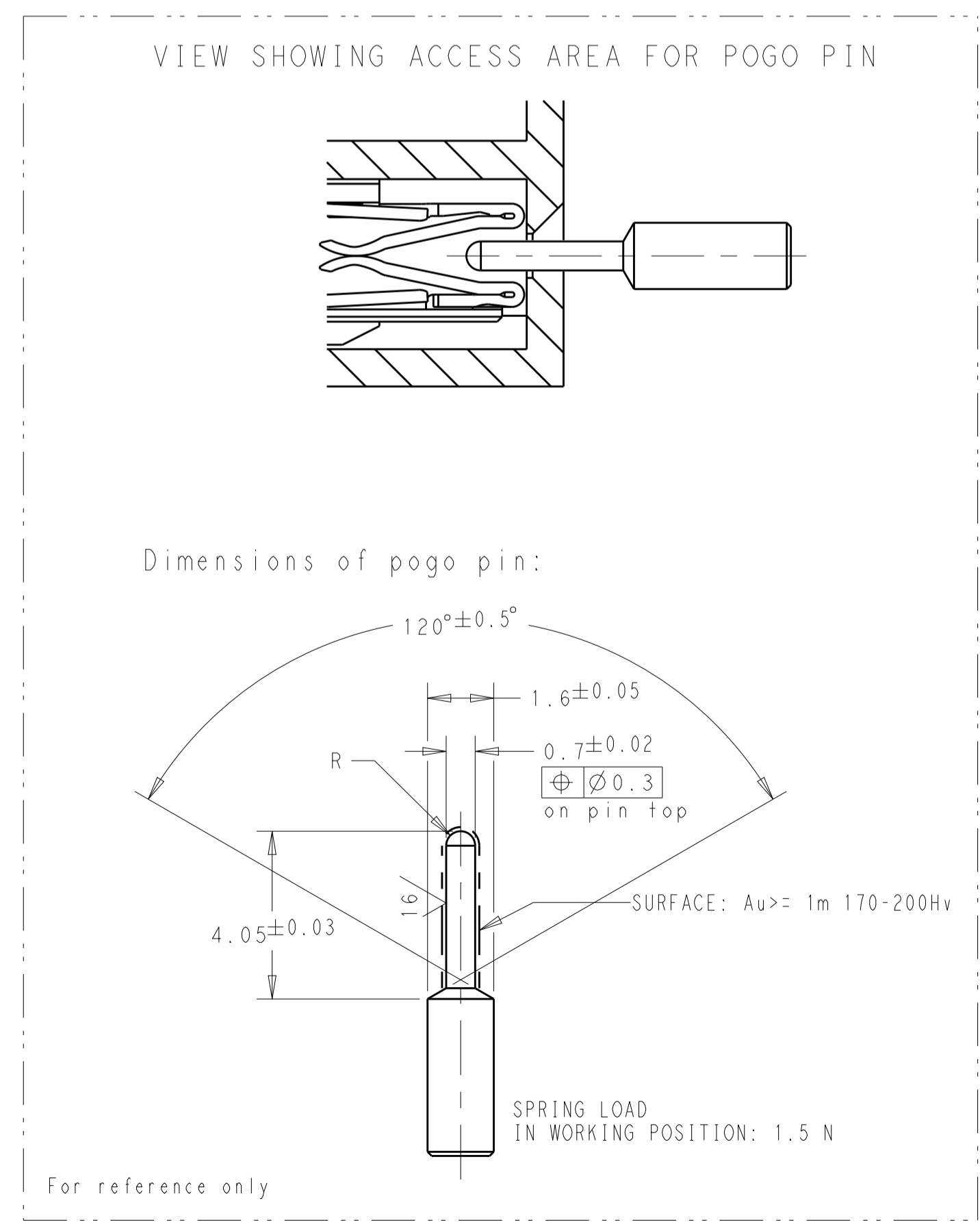
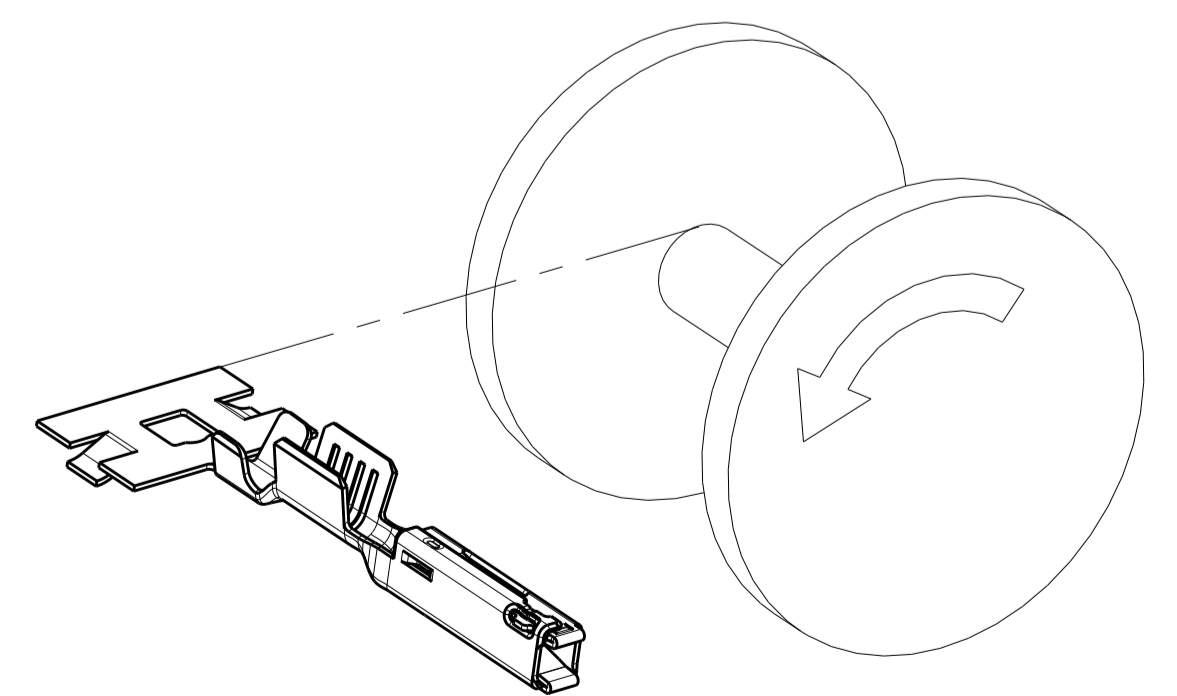
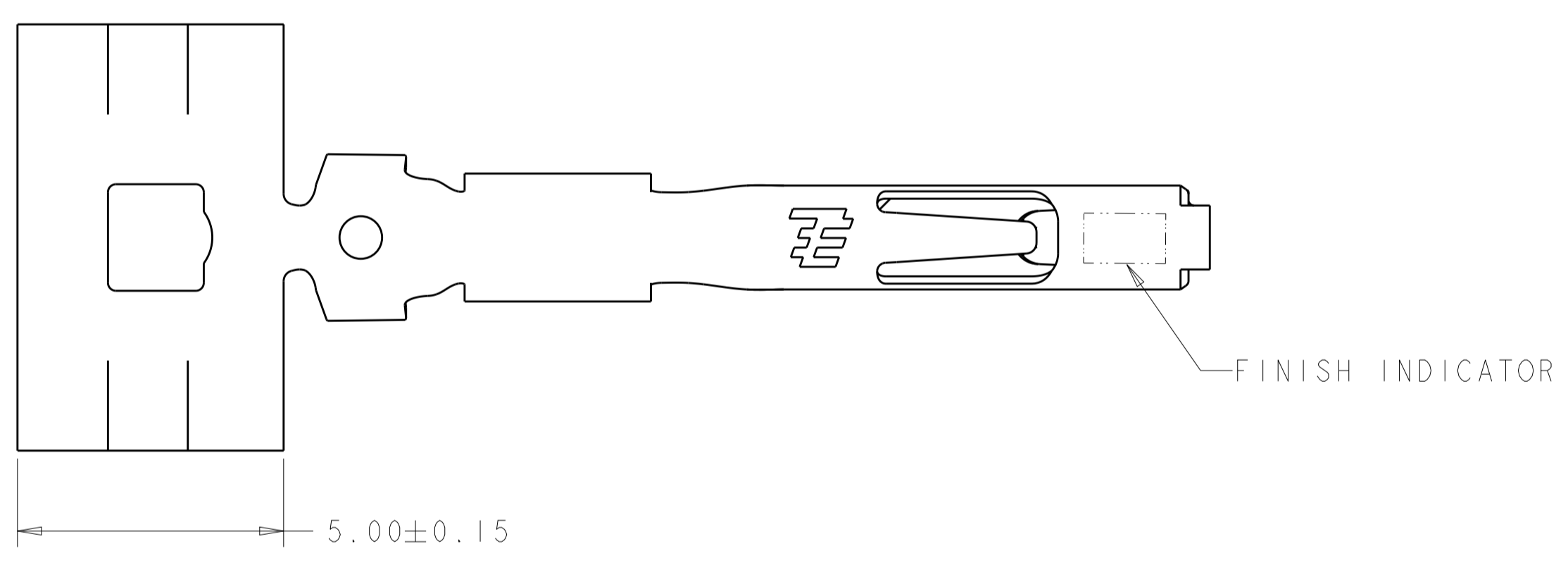
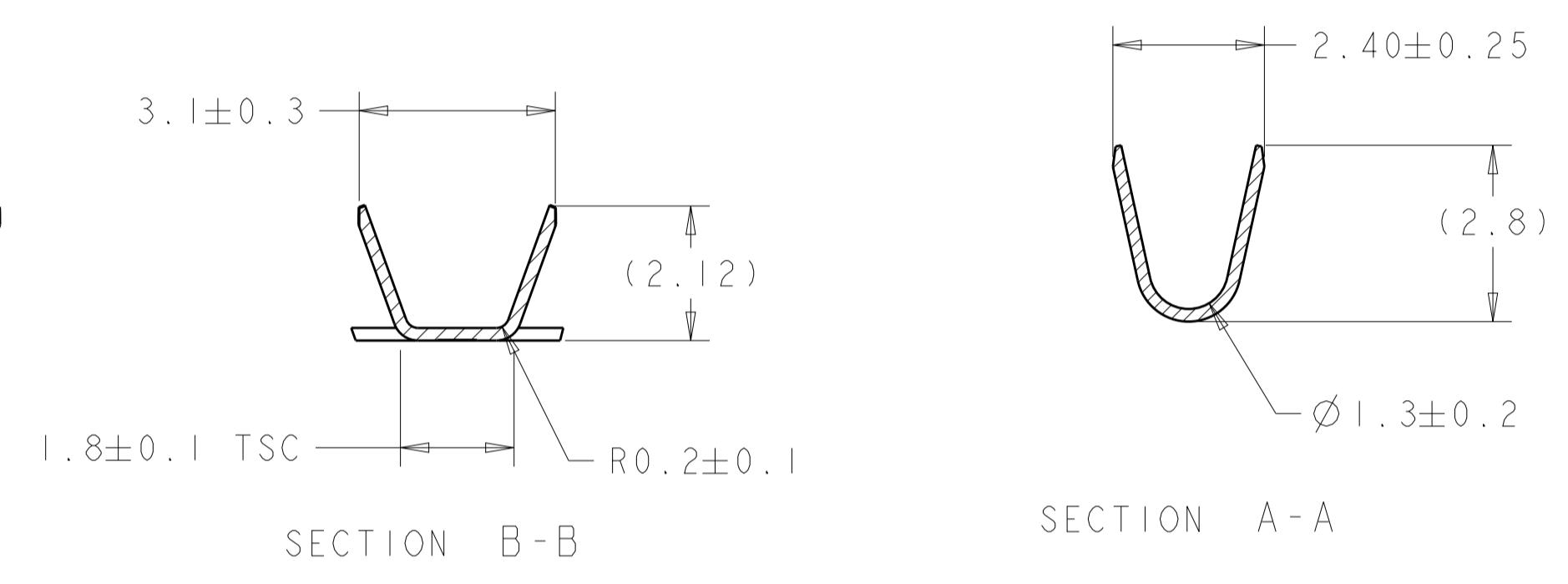
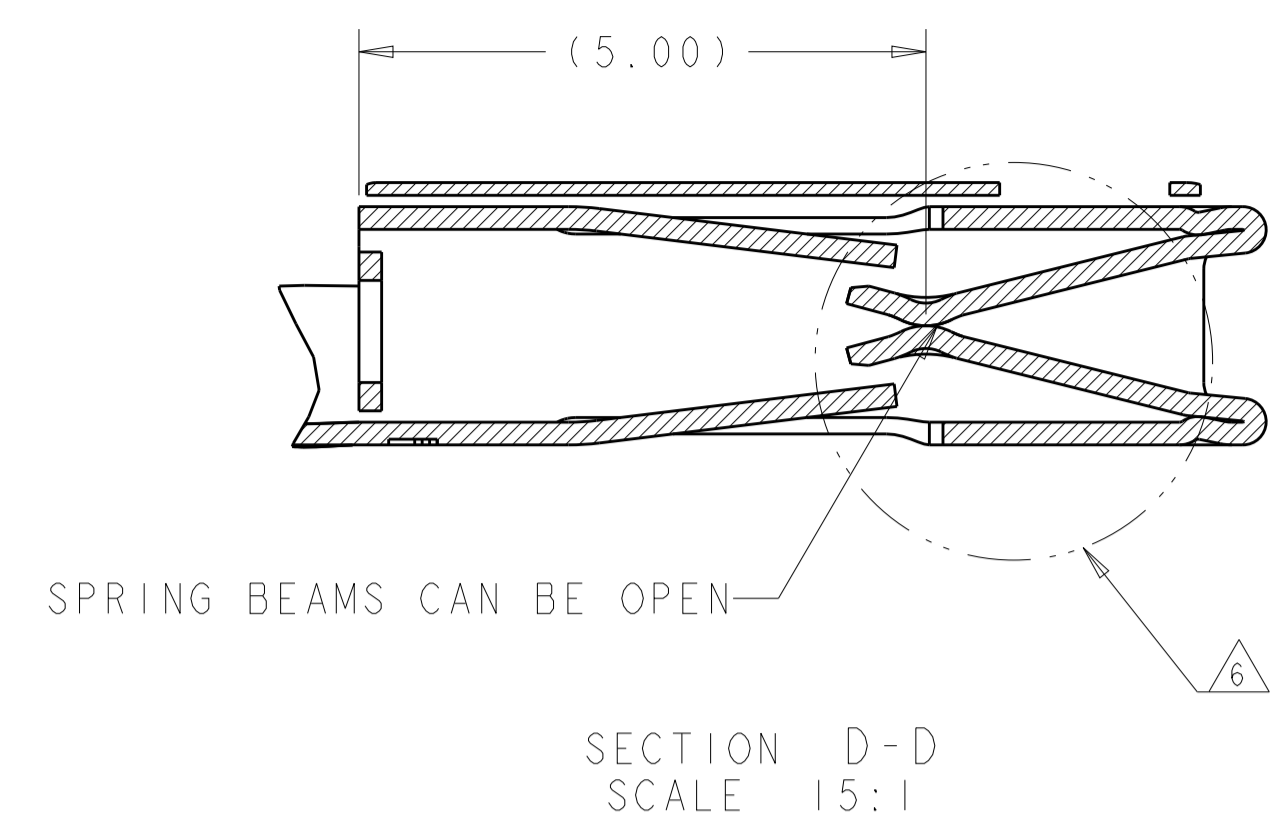
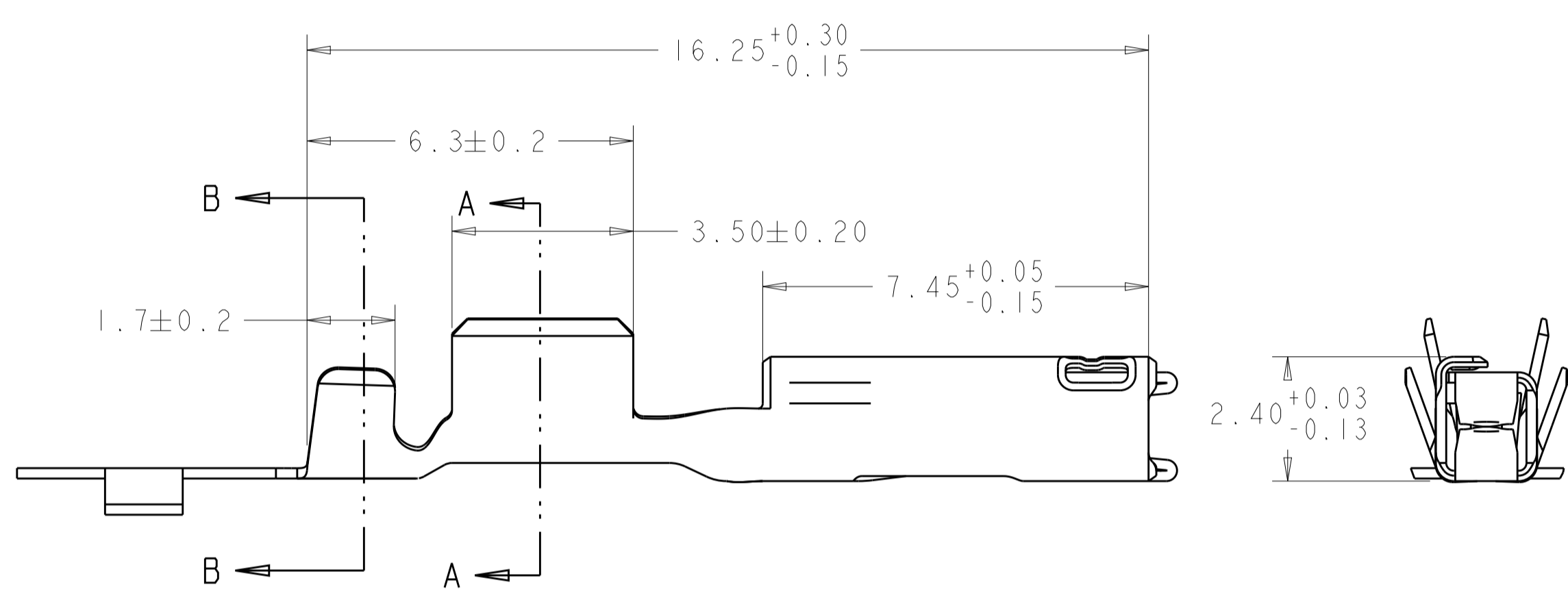
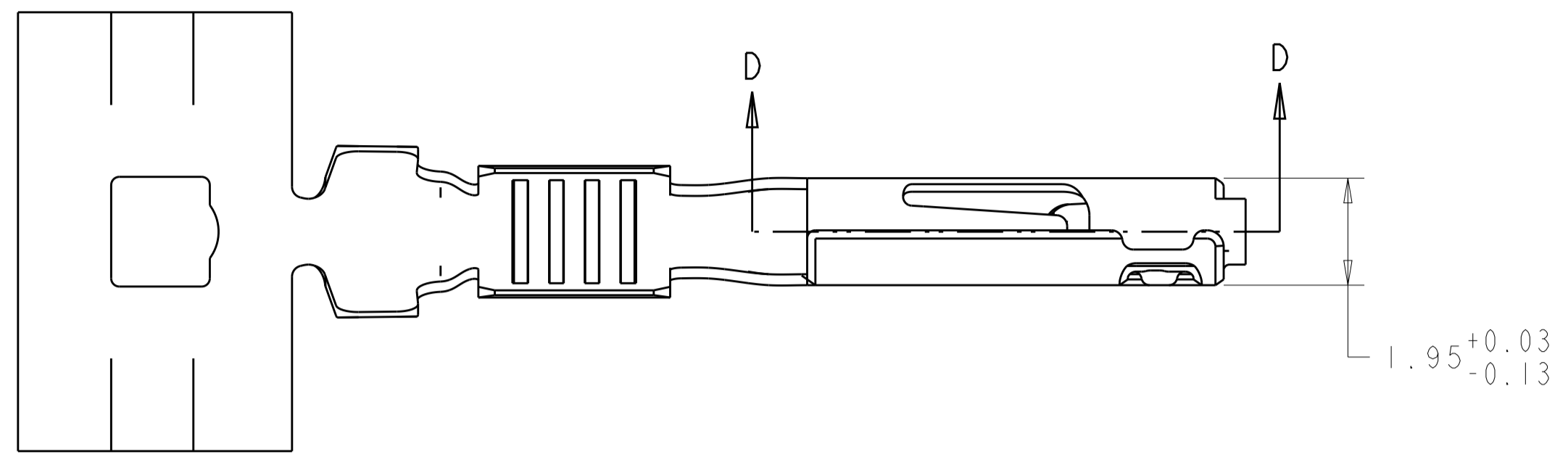
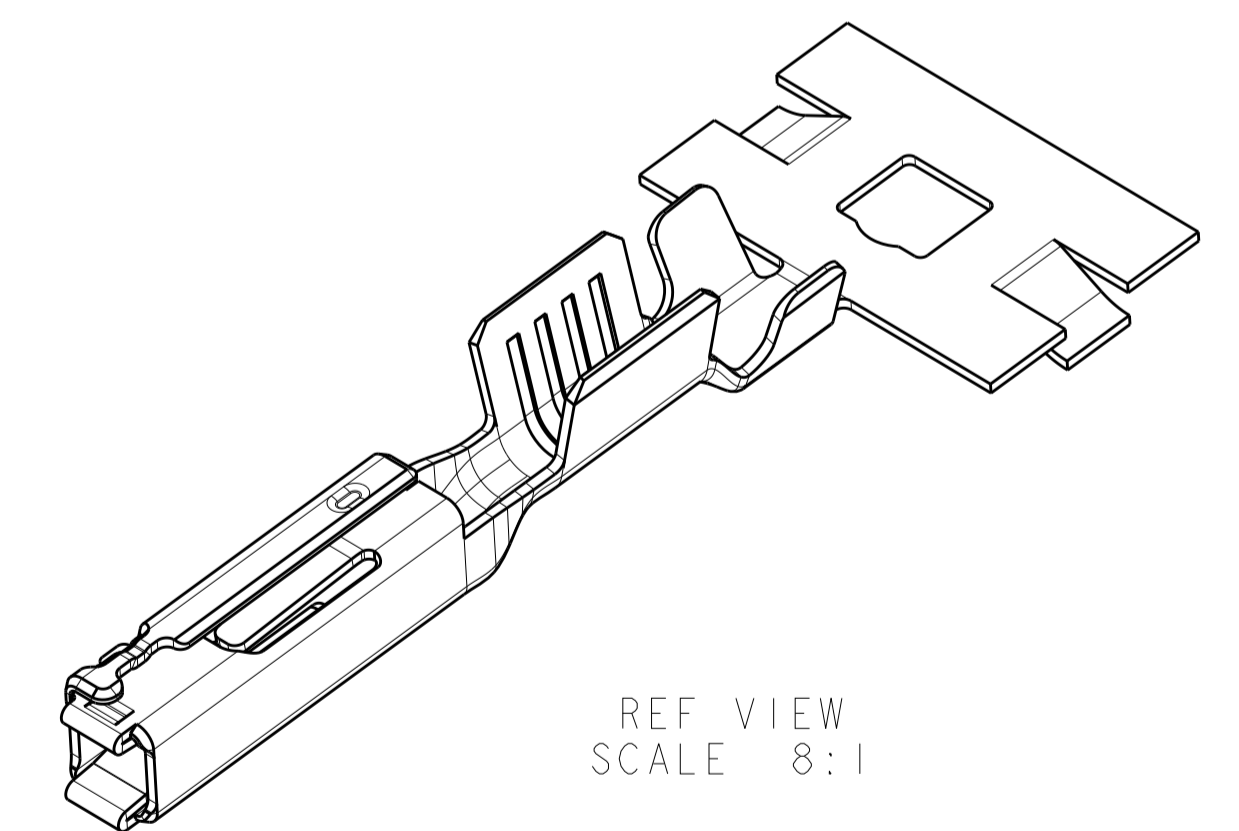


REVISIONS				
P.	LTN	DESCRIPTION	DATE	OWN APVD
A		RELEASED PER ECO-13-008765	24MAY2013	DLD WTW
A1		REVISED PER ECO-13-015719	07OCT2013	DLD WTW
A2		REVISED PER ECO-14-013933	24SEP2014	DLD WTW



- 1. MATERIAL: COPPER ALLOY
- 2. FINISH: PRE-PLATED WITH 1.00µm MIN TIN-SILVER PLATE. (APPLIES TO CONTACT ALL OVER)
- 3. FINISH: PRE-PLATED WITH 2.00µm MIN TIN. (APPLIES TO CONTACT ALL OVER)
- 4. FINISH: PRE-PLATED WITH 3.00µm MIN SILVER IN CONTACT AREA. SILVER FLASH OVER REMAINDER OF PART.
- 5. DIE FEED IS 8.00mm
- 6. OPTIMOL (UNDILUTED) LUBRICATION IN THIS AREA.
- 7. TERMINAL CRIMPED TO CABLE WITH OUTSIDE DIAMETER GREATER THAN 2.06mm IS NOT APPROVED FOR USE WITH STANDARD GET CIRCUIT CAVITY DESIGN.
- 8. FOR SILVER PLATING ON P/N 1924782-3, TARNISH IS ACCEPTABLE. ELECTRICAL PERFORMANCE IS NOT AFFECTED BY TARNISH ON ANY OF THE SILVER PLATED SURFACES OF THE TERMINAL.



S	4	1924782-3
NONE	3	1924782-2
T	2	1924782-1
FINISH INDICATOR	FINISH	PART NUMBER

DIMENSIONS:		TOLERANCES UNLESS OTHERWISE SPECIFIED:		MATERIAL:		FINISH:	
mm	0 PLC ±	1 PLC ±	2 PLC ±0.15	3 PLC ±	4 PLC ±	ANGLES	
THIS DRAWING IS A CONTROLLED DOCUMENT.				OWN: H. MOLL 21NOV2007			
				CHK: F. KINSEY 21NOV2007			
				APVD: F. KINSEY 21NOV2007			
				NAME: GET FEMALE TERMINAL, 1.20mm, THIN, 1.00mm SQ			
				PRODUCT SPEC: 114-13236			
				APPLICATION SPEC: 114-13236			
				WEIGHT: A100779			
				CUSTOMER DRAWING			
				SCALE 10:1 SHEET 1 OF 1 REV A2			

## X-ON Electronics

Largest Supplier of Electrical and Electronic Components

*Click to view similar products for [Automotive Connectors](#) category:*

*Click to view products by [TE Connectivity](#) manufacturer:*

Other Similar products are found below :

[003-018-000](#) [60403001](#) [60993906-B](#) [M902-2131](#) [M902-2161](#) [M902-2344](#) [72.330.1035.1](#) [73.353.4028.0](#) [F119300-B](#) [F166900](#) [F258300-B](#)  
[F358300-B](#) [F407400](#) [F444110](#) [F487000](#) [F509500B-B](#) [827153-1](#) [8N1515-32-24P](#) [9-1326729-8](#) [925474-1](#) [928905-1](#) [964562-4](#) [968782-1](#)  
[GT17SA-8DS-HU](#) [98891-1012](#) [98947-1016](#) [12004147](#) [12004475-L](#) [12010290](#) [12010309-B](#) [12015454](#) [12020219-B](#) [12041318-B](#) [12052225-](#)  
[L](#) [12052466](#) [12064869](#) [12004327-B](#) [12015308](#) [12015384](#) [12015909](#) [1-21030-1](#) [12041254](#) [12041318](#) [12047946-B](#) [12047957](#) [12047957-L](#)  
[12059473](#) [12066261](#) [12110546](#) [12110546-B](#)