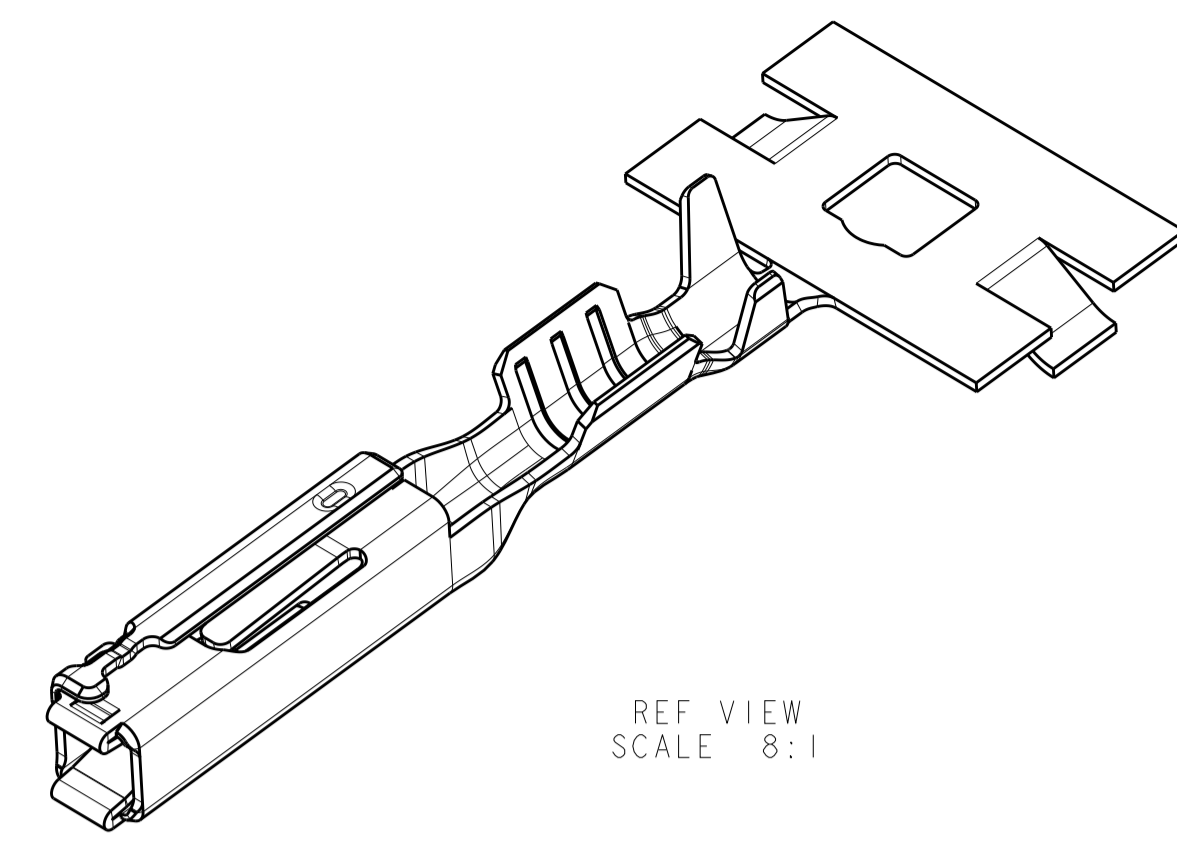
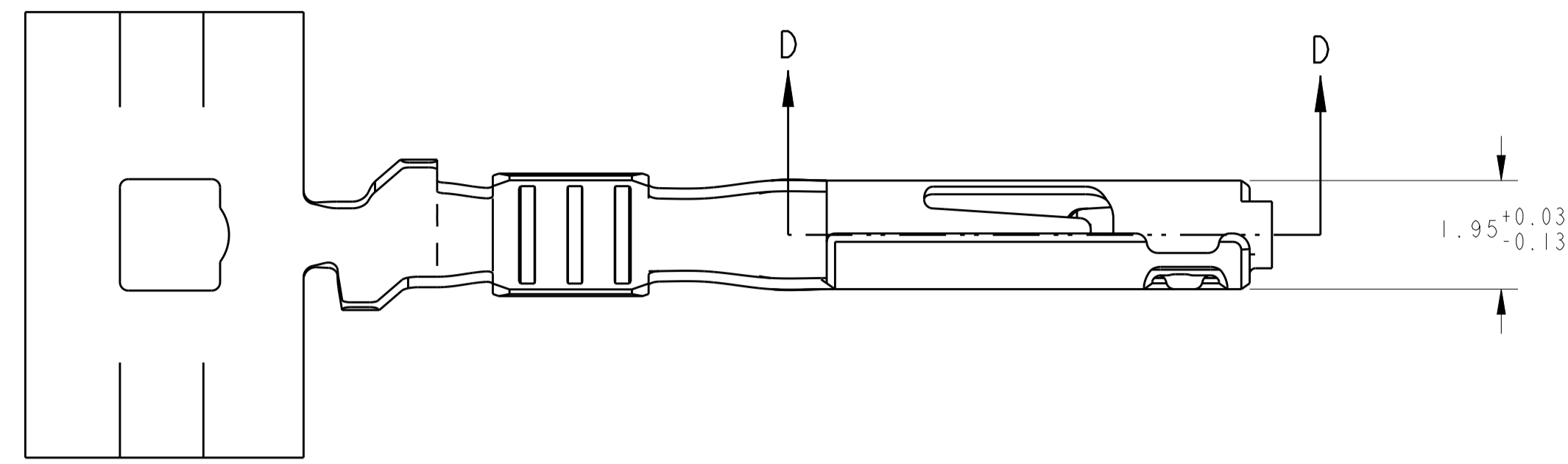
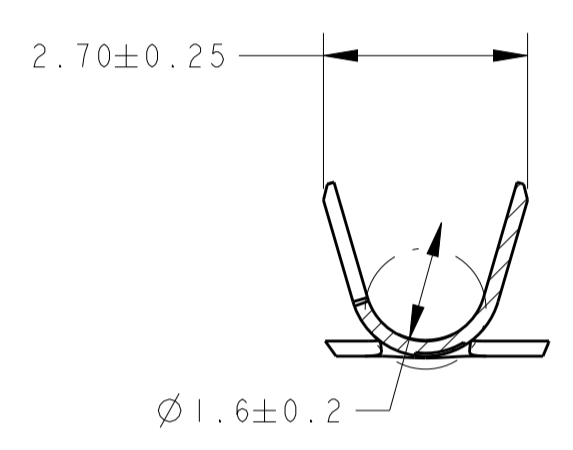
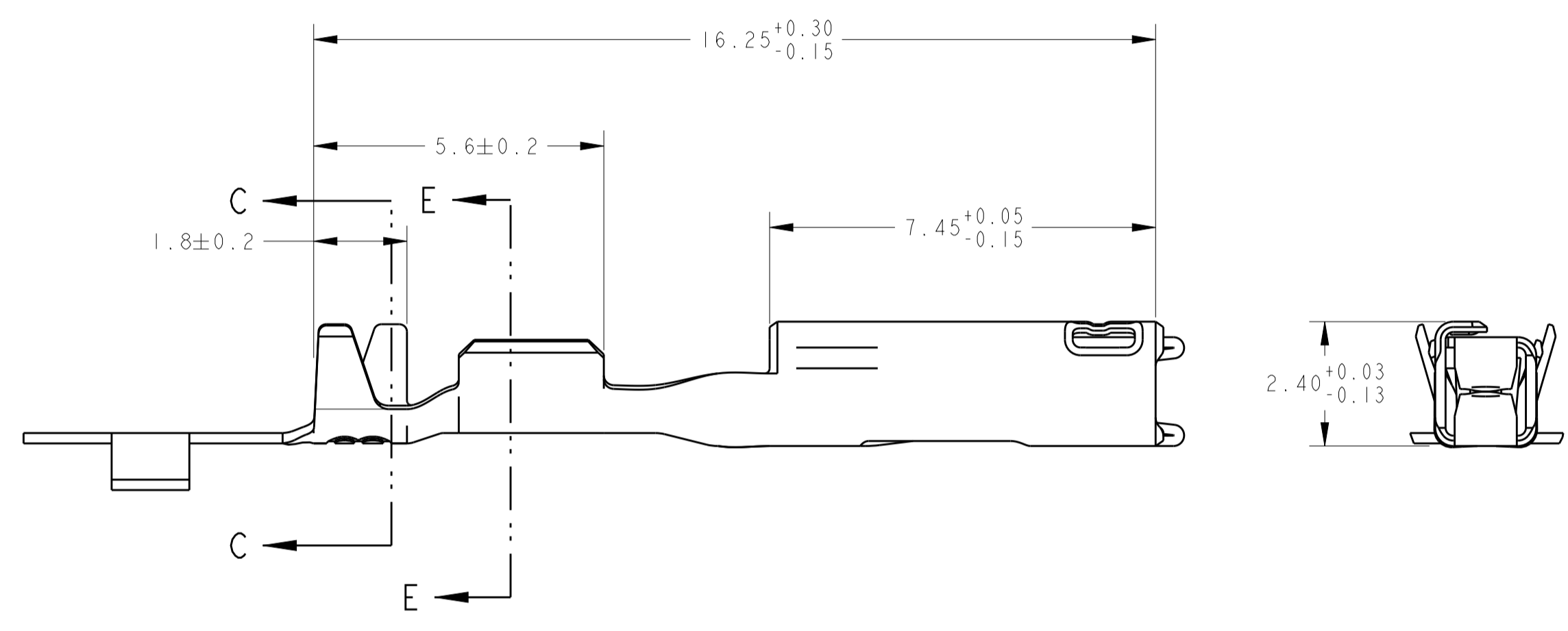


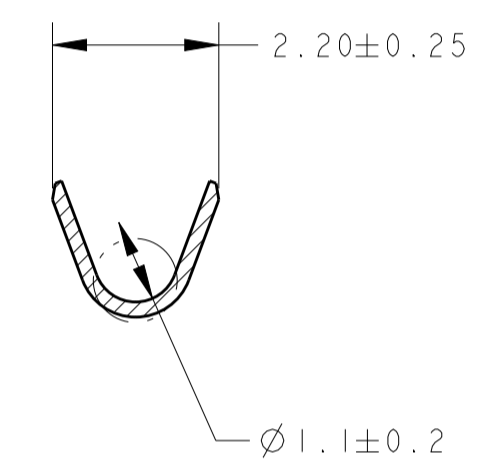
REVISIONS				
P.	LTN	DESCRIPTION	DATE	APVD
B		REVISED PER ECO-15-007763	24AUG2015	DLD WTW
C		REVISED PER ECO-16-007495	17MAY2016	DLD WTW



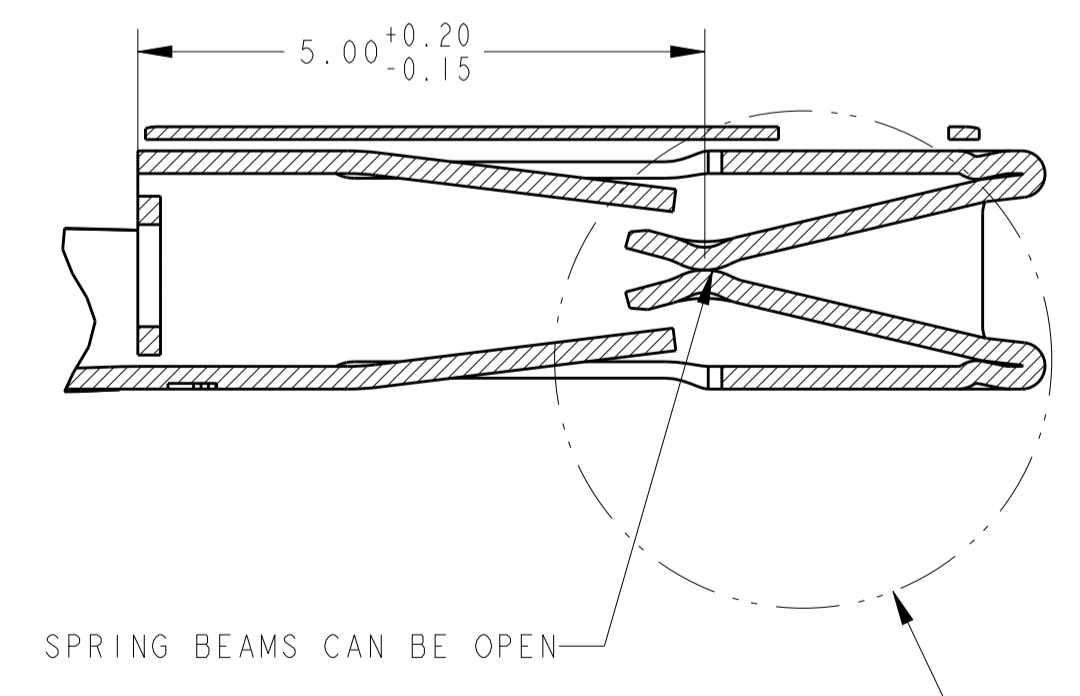
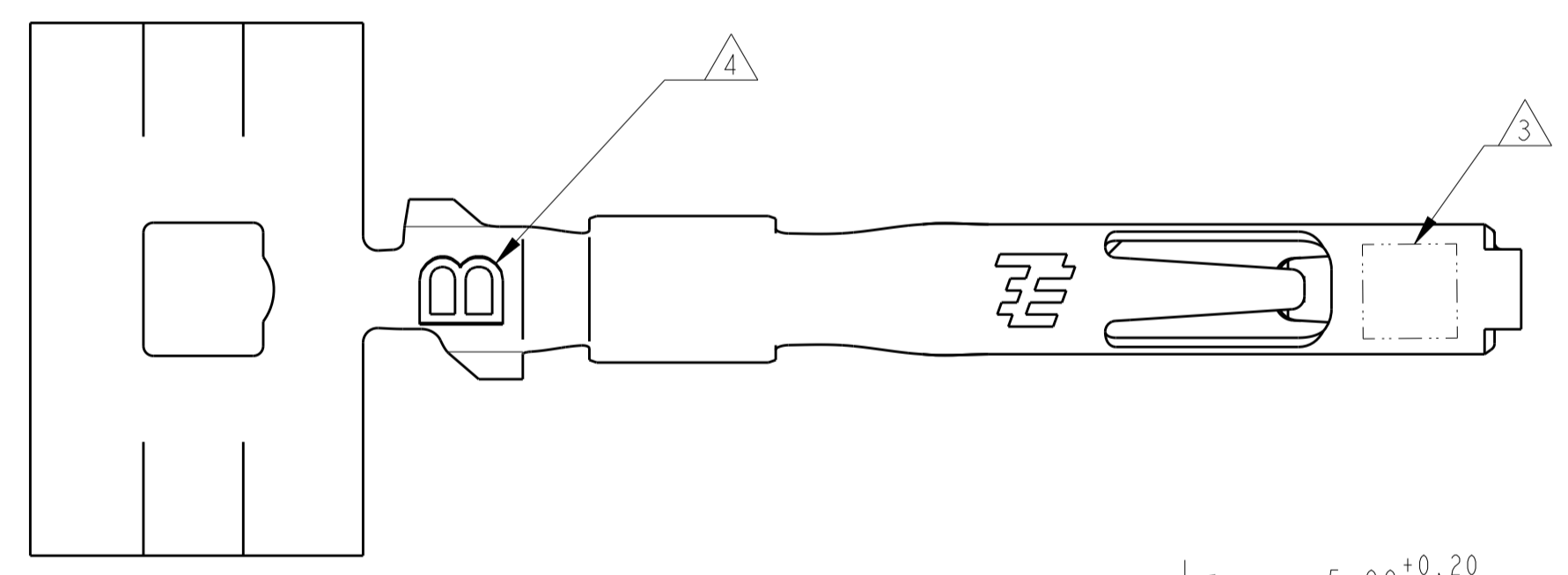
- 1 MATERIAL: COPPER ALLOY
- 2 FINISH: PRE-PLATED WITH 1.00µm MIN SPECIAL TIN-SILVER PLATE (APPLIES TO CONTACT ALL OVER)
- 3 SYMBOL "T" INDICATES SPECIAL TIN-SILVER PLATE. SYMBOL "S" INDICATES SILVER PLATE.
- 4 MARK CRIMP CODE "B"
- 5. DIE FEED IS 8.00mm
- 6 OPTIMOL (UNDILUTED) LUBRICATION IN THIS AREA
- 7 FINISH: PRE-PLATED SILVER, 3 - 5µm SILVER PLATE (CONTACT AREA ONLY), SILVER FLASH REMAINDER OF PART.
- 8. FOR SILVER PLATING ON P/N 1924879-2, TARNISH IS ACCEPTABLE. ELECTRICAL PERFORMANCE IS NOT AFFECTED BY TARNISH ON ANY OF THE SILVER PLATED SURFACES OF THE TERMINAL.



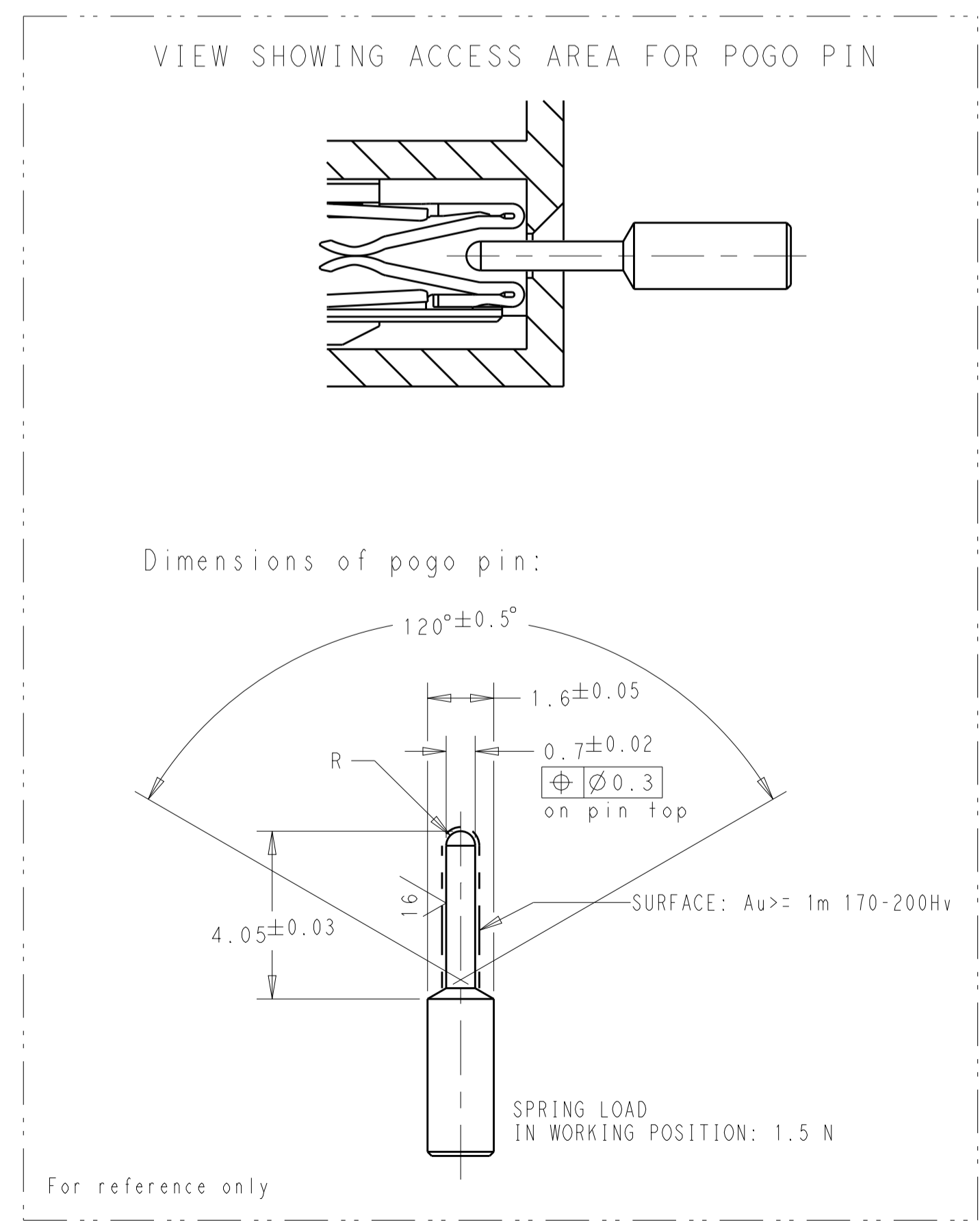
SECTION C-C



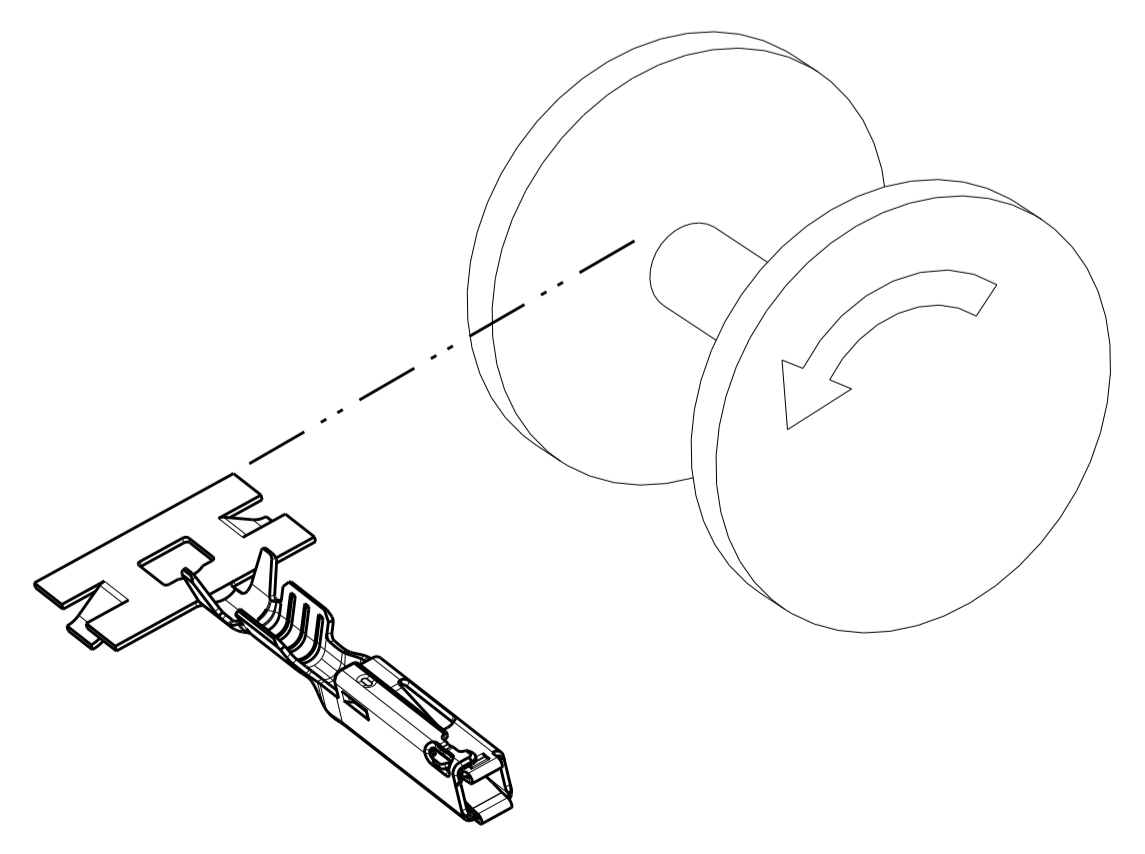
SECTION E-E



SPRING BEAMS CAN BE OPEN
SECTION D-D
SCALE 15:1



For reference only



1924879-2
1924879-1
FINISH
PART NUMBER

THIS DRAWING IS A CONTROLLED DOCUMENT.		OWN: F. KINSEY 27APR2009	NAME: GET FEMALE TERMINAL, 1.20mm, THIN 18/20 AWG	
DIMENSIONS: mm		CHK: F. KINSEY 27APR2009	RESTRICTED TO	
TOLERANCES UNLESS OTHERWISE SPECIFIED:		APVD: W. WELLSKY 27APR2009	SCALE: 10:1 SHEET 1 OF 1 REV C	
0 PLC	±	PRODUCT SPEC		
1 PLC	±0.15	APPLICATION SPEC		
2 PLC	±	114-13236		
3 PLC	±	WEIGHT: 0.17g		
4 PLC	±	CUSTOMER DRAWING		
ANGLES	±			

X-ON Electronics

Largest Supplier of Electrical and Electronic Components

Click to view similar products for [Automotive Connectors](#) category:

Click to view products by [TE Connectivity](#) manufacturer:

Other Similar products are found below :

[003-018-000](#) [60403001](#) [60993906-B](#) [M902-2131](#) [M902-2161](#) [M902-2344](#) [72.330.1035.1](#) [73.353.4028.0](#) [F119300-B](#) [F166900](#) [F258300-B](#)
[F358300-B](#) [F407400](#) [F444110](#) [F487000](#) [F509500B-B](#) [827153-1](#) [8N1515-32-24P](#) [9-1326729-8](#) [925474-1](#) [928905-1](#) [964562-4](#) [968782-1](#)
[GT17SA-8DS-HU](#) [98891-1012](#) [98947-1016](#) [12004147](#) [12004475-L](#) [12010290](#) [12010309-B](#) [12015454](#) [12020219-B](#) [12041318-B](#) [12052225-](#)
[L](#) [12052466](#) [12064869](#) [12004327-B](#) [12015308](#) [12015384](#) [12015909](#) [1-21030-1](#) [12041254](#) [12041318](#) [12047946-B](#) [12047957](#) [12047957-L](#)
[12059473](#) [12066261](#) [12110546](#) [12110546-B](#)