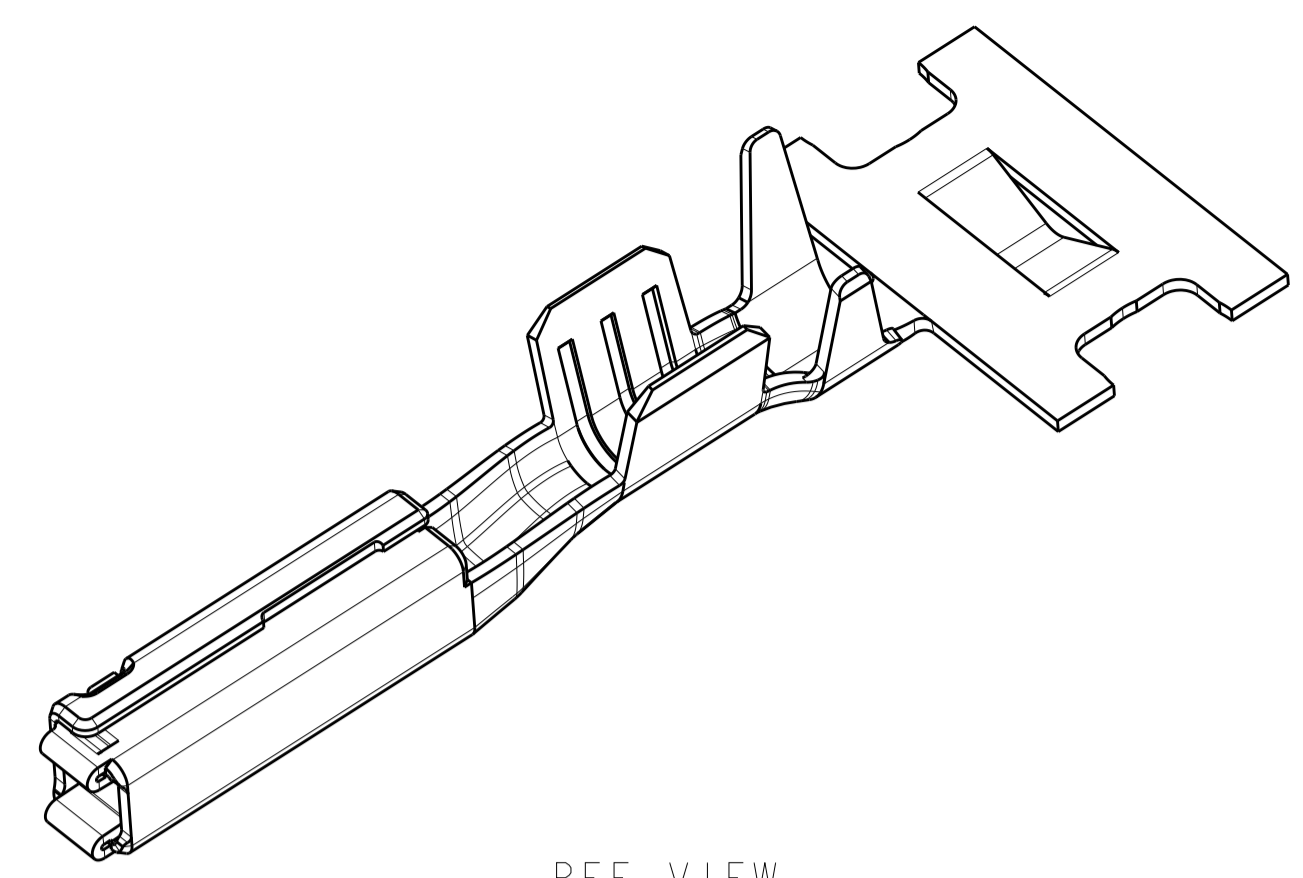
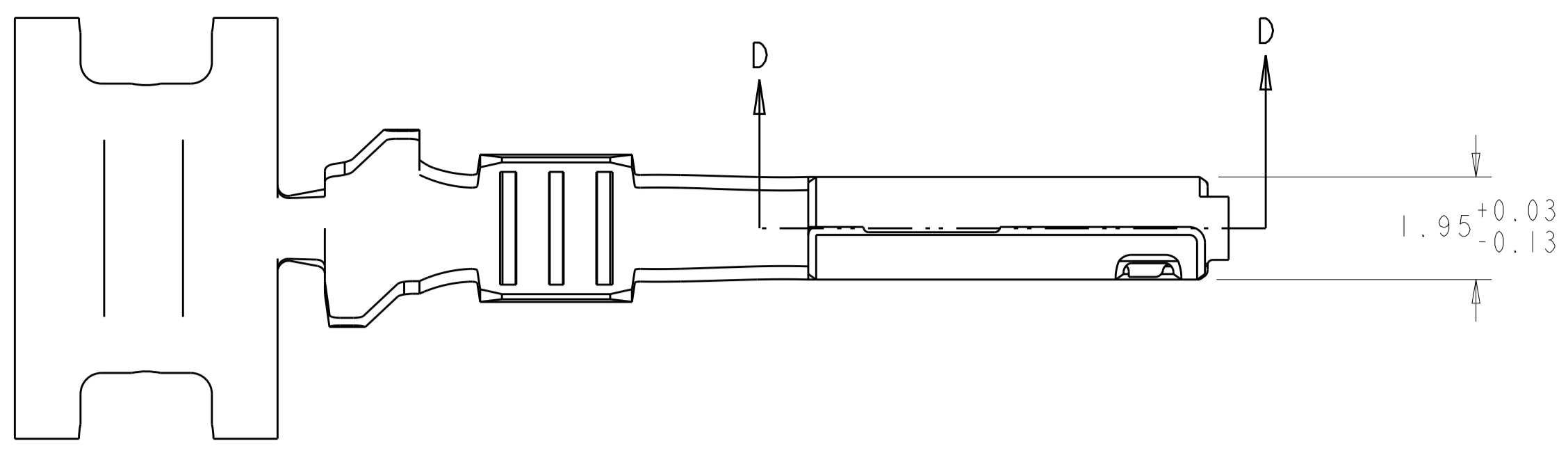
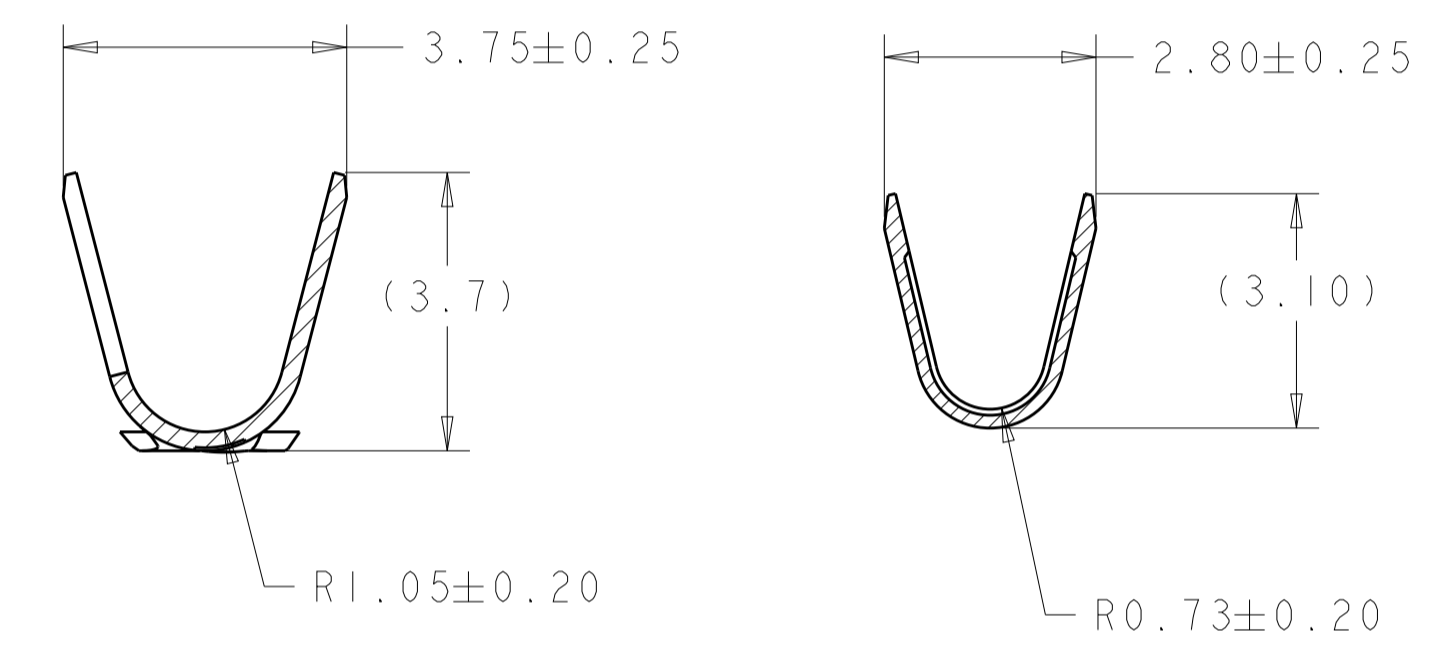
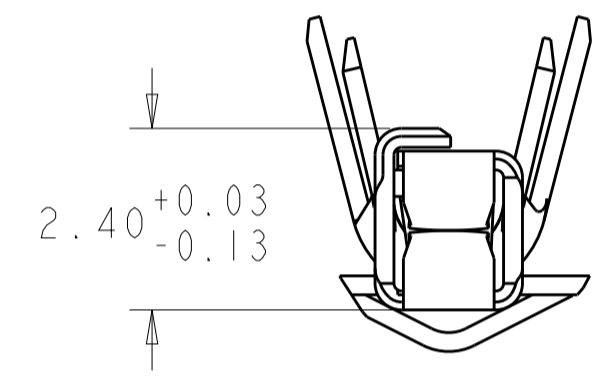
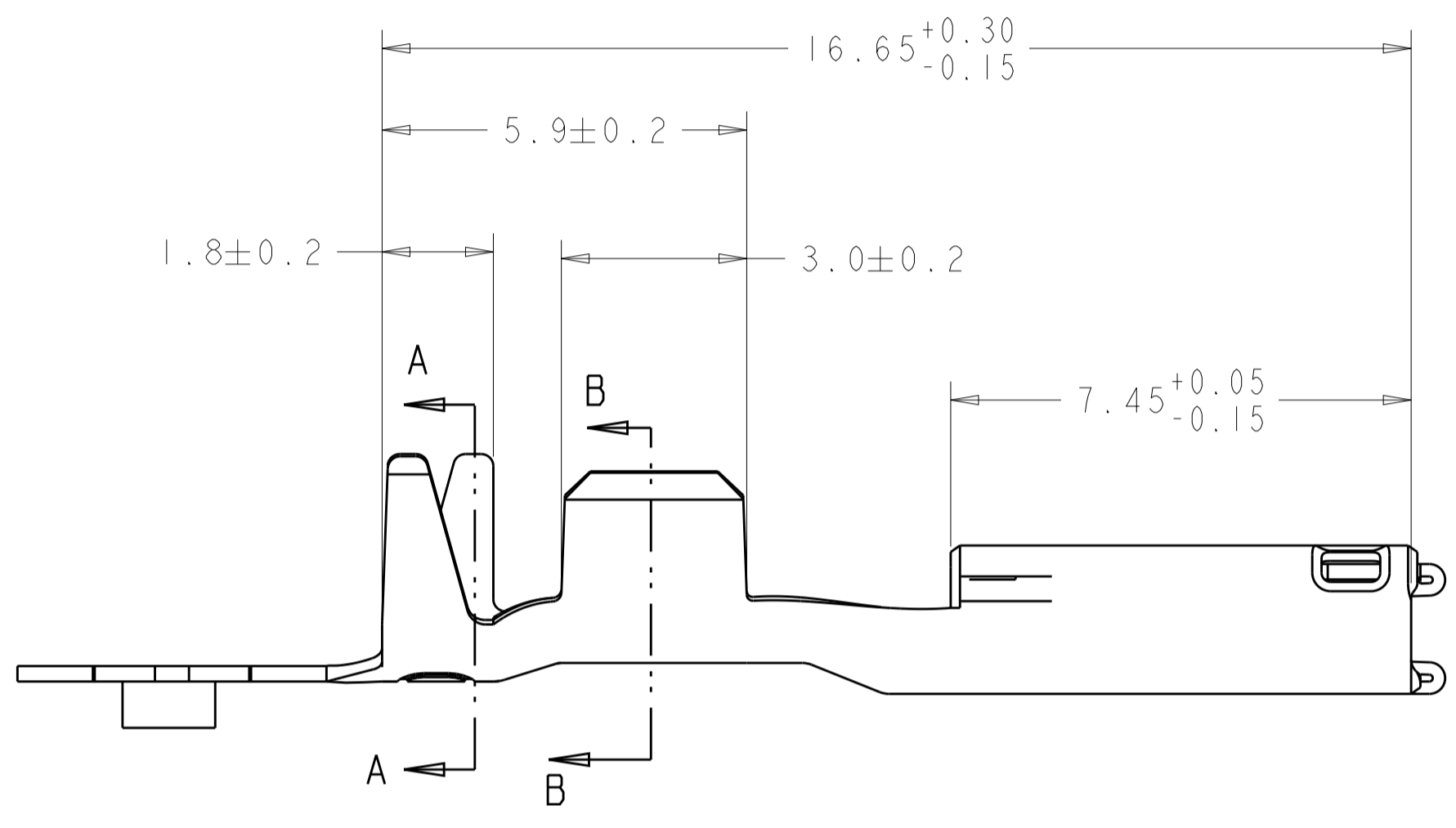


REVISIONS				
P.	LTM	DESCRIPTION	DATE	DWN APVD
A1		REVISED PER ECO-09-013600	30JUL2009	DLD WTW
A2		REVISED PER ECO-15-008745	12JUN2015	DLD WTW

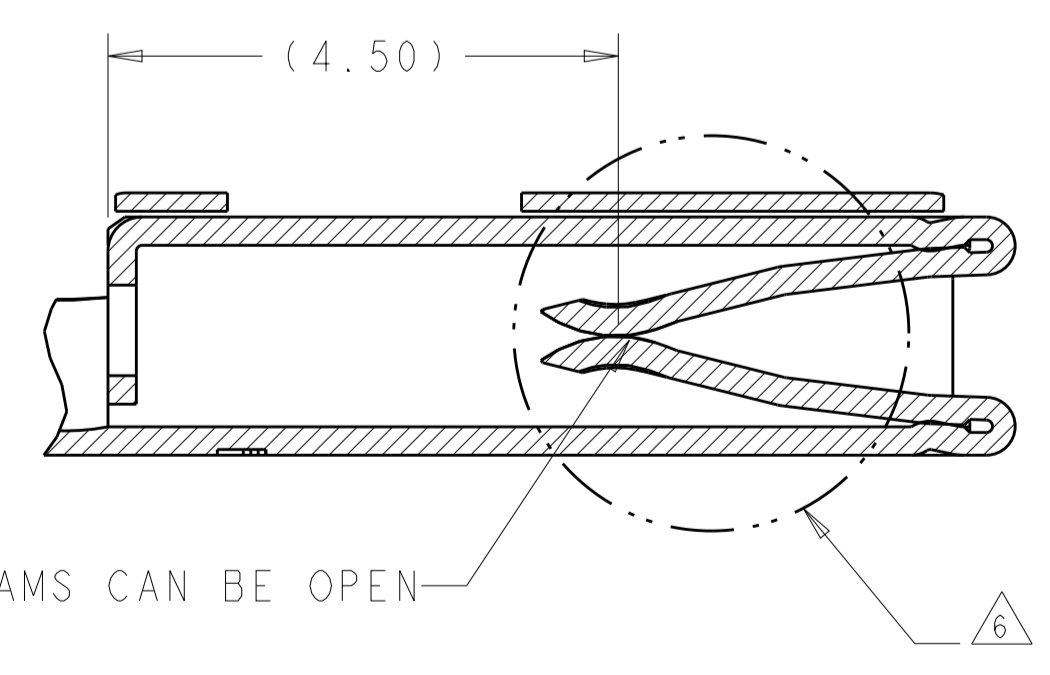
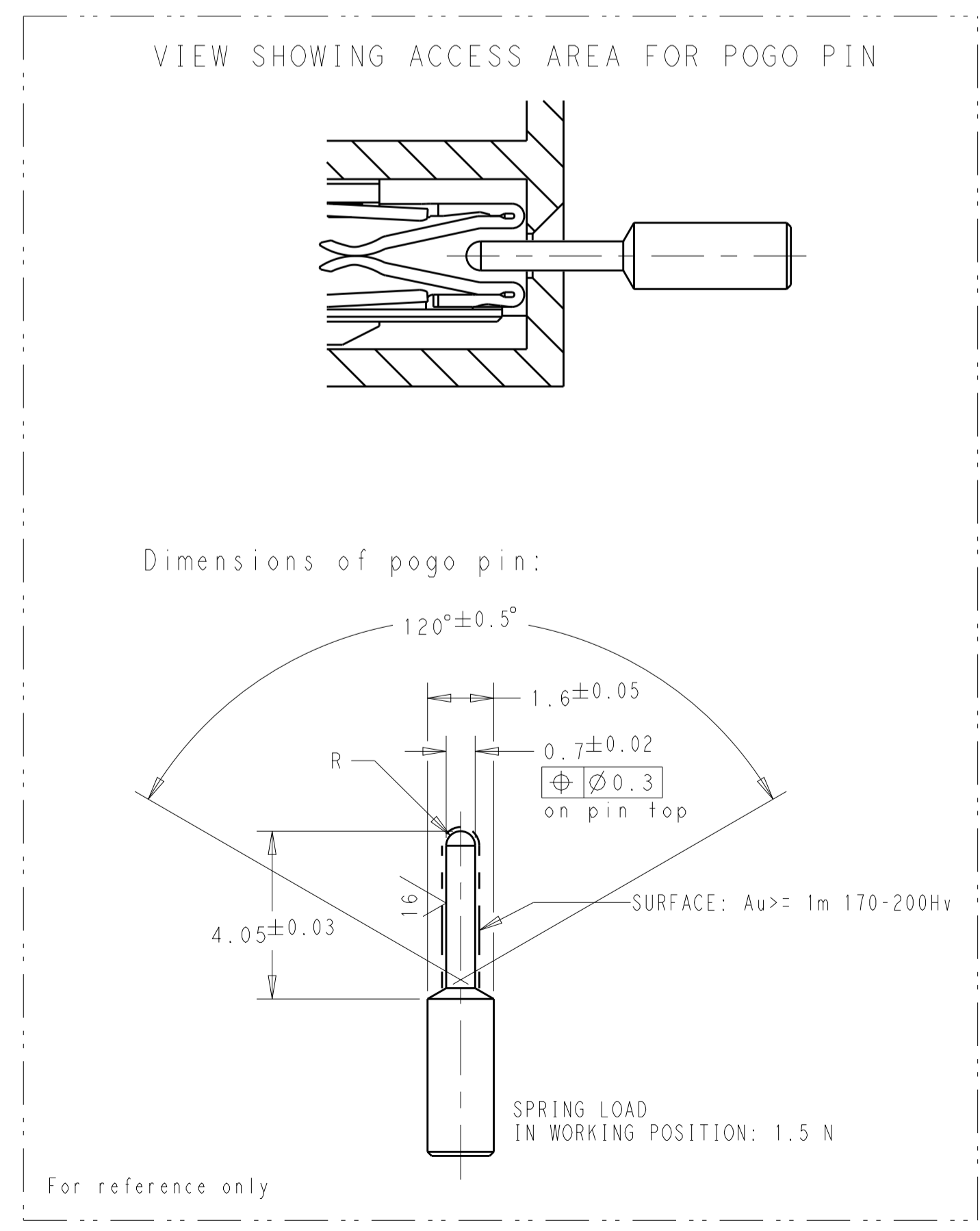
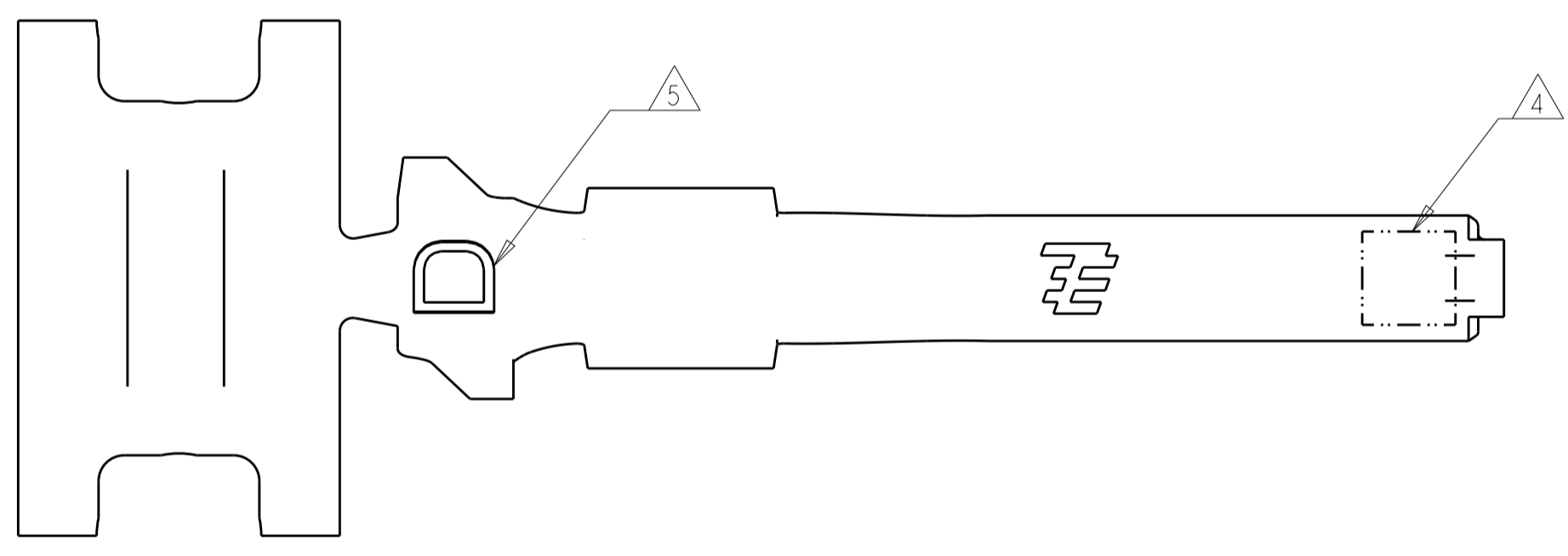


REF VIEW
SCALE 8:1

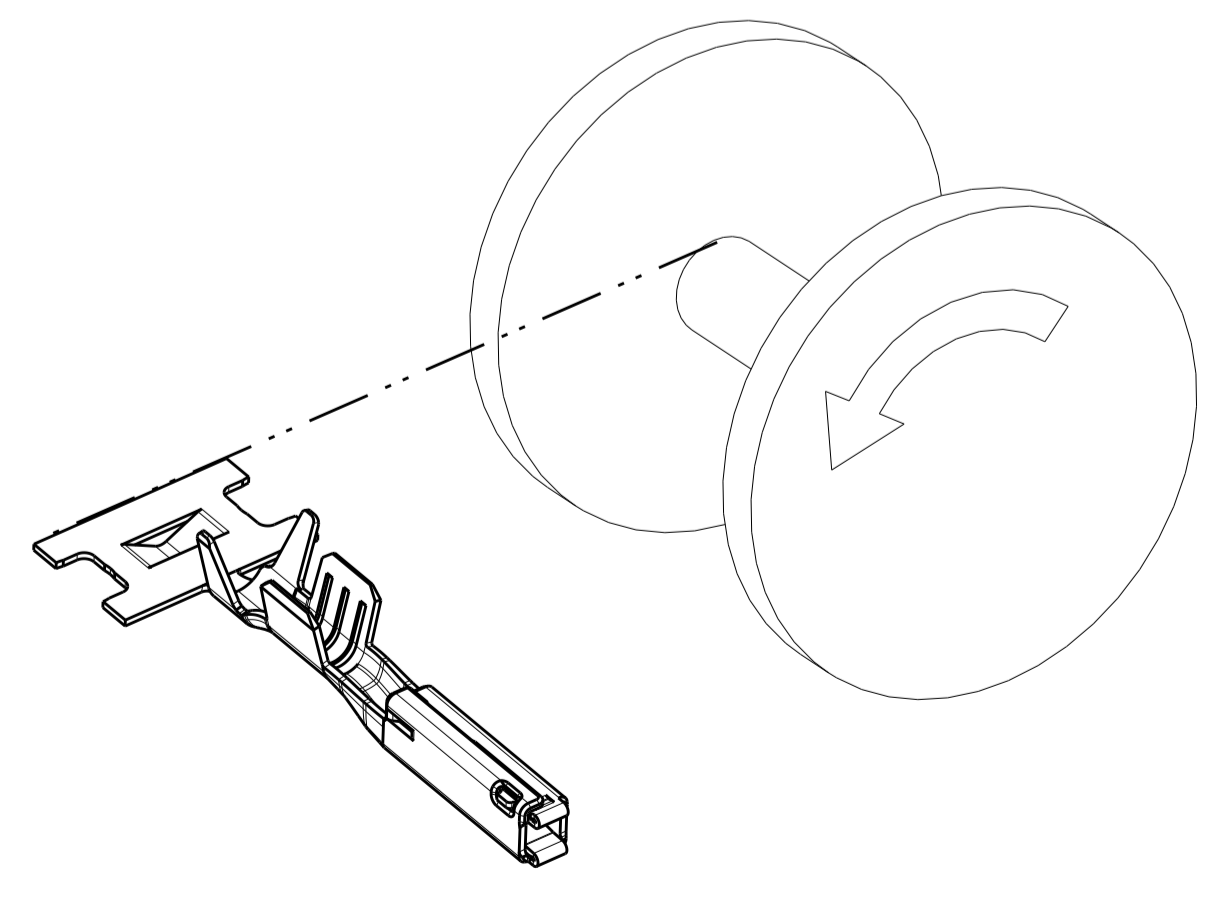
- 1 MATERIAL: COPPER ALLOY
 - 2 FINISH: PRE-PLATED WITH 1.00µm MIN TIN-SILVER PLATE (PLATING APPLIES OVER ALL CONTACT SURFACES)
 - 3 FINISH: PRE-PLATED WITH 2.00µm MIN TIN (PLATING APPLIES OVER ALL CONTACT SURFACES)
 - 4 LETTER "T" WITH HORIZONTAL BAR INDICATES THAT PRODUCT IS PLATED WITH A SPECIAL TIN PLATE. APPLICABLE TO 1924880-1 ONLY.
 - 5 MARK CRIMP CODE "D"
 - 6 OPTIMOL (UNDILUTED) LUBRICATION IN THIS AREA.
7. DIE FEED IS 8.00mm



SECTION A-A SECTION B-B



SECTION D-D
SCALE 15:1



REELING DIRECTION
SCALE 4:1

NOT RELEASED FOR PRODUCTION	NONE	3	1924880-2
	4	2	1924880-1
	FINISH INDICATOR	FINISH	PART NUMBER

THIS DRAWING IS A CONTROLLED DOCUMENT.		DWN F. KINSEY 28APR2009	TE Connectivity	
DIMENSIONS: mm		CHK F. KINSEY 28APR2009	NAME	
TOLERANCES UNLESS OTHERWISE SPECIFIED:		APVD W. WELLSKY 28APR2009	PRODUCT SPEC	
0 PLC	±	APPLICATION SPEC		
1 PLC	±0.15	SIZE CAGE CODE DRAWING NO		
2 PLC	±	RESTRICTED TO		
3 PLC	±	MATERIAL		
4 PLC	±	FINISH		
ANGLES	±	WEIGHT 0.24 G		
SEE TABLE		CUSTOMER DRAWING		
		A100779C=1924880		SCALE 10:1 SHEET 1 OF 1 REV A2

X-ON Electronics

Largest Supplier of Electrical and Electronic Components

Click to view similar products for [Automotive Connectors](#) category:

Click to view products by [TE Connectivity](#) manufacturer:

Other Similar products are found below :

[003-018-000](#) [60403001](#) [60993906-B](#) [M902-2131](#) [M902-2161](#) [72.330.1035.1](#) [73.353.4028.0](#) [F119300-B](#) [F166900](#) [F258300-B](#) [F358300-B](#)
[F407400](#) [F444110](#) [F487000](#) [F509500B-B](#) [827153-1](#) [8N1515-32-24P](#) [9-1326729-8](#) [925474-1](#) [928905-1](#) [964562-4](#) [968782-1](#) [GT17SA-8DS-](#)
[HU](#) [98891-1012](#) [98947-1016](#) [12004147](#) [12004475-L](#) [12010290](#) [12010309-B](#) [12015454](#) [12020219-B](#) [12020308](#) [12041318-B](#) [12052225-L](#)
[12052466](#) [12059125](#) [12064869](#) [12004327-B](#) [12010503-B](#) [12015308](#) [12015384](#) [12015909](#) [1-21030-1](#) [12041254](#) [12041318](#) [12047946-B](#)
[12047957](#) [12047957-L](#) [12059473](#) [12066261](#)