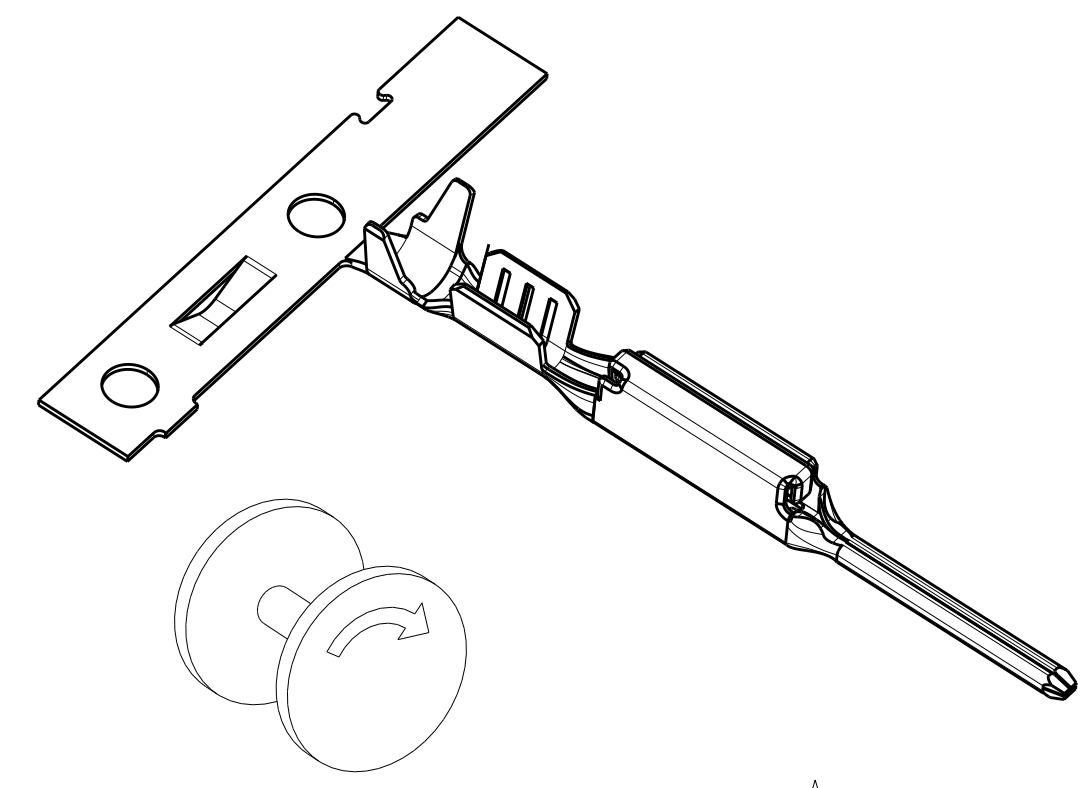
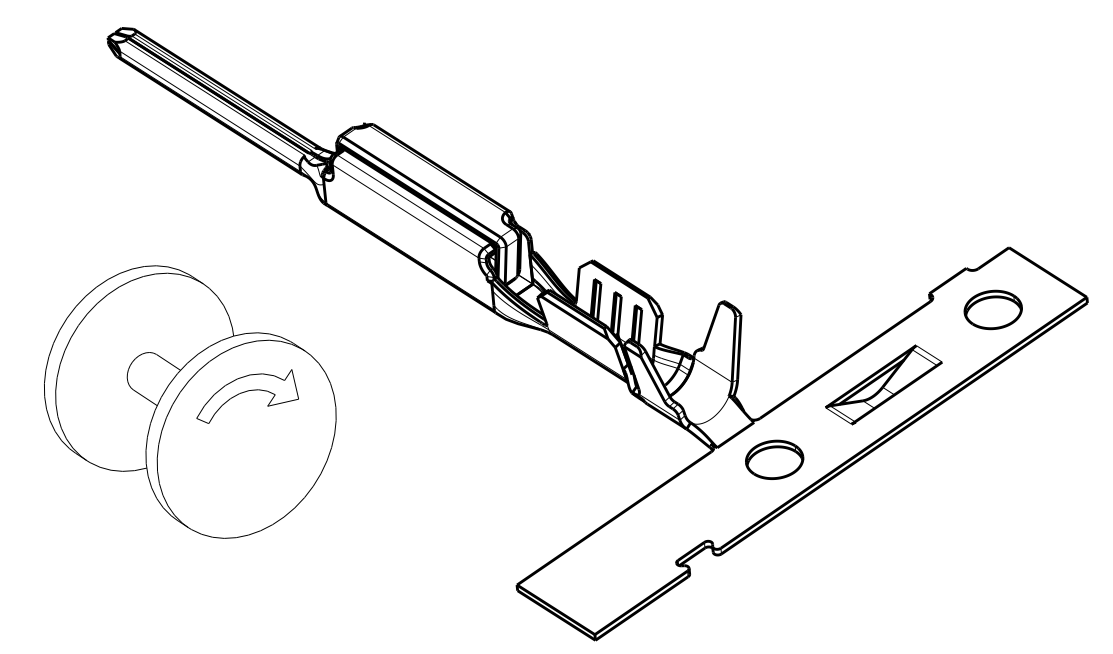


REVISIONS				
P.	LTN	DESCRIPTION	DATE	APVD
A5		REVISED PER ECO-13-010026	21JUN2013	DLD CJS
A6		REVISED PER ECO-14-015042	03OCT2014	DLD CJS
A7		REVISED PER ECO-15-004219	08APR2015	DLD CJS

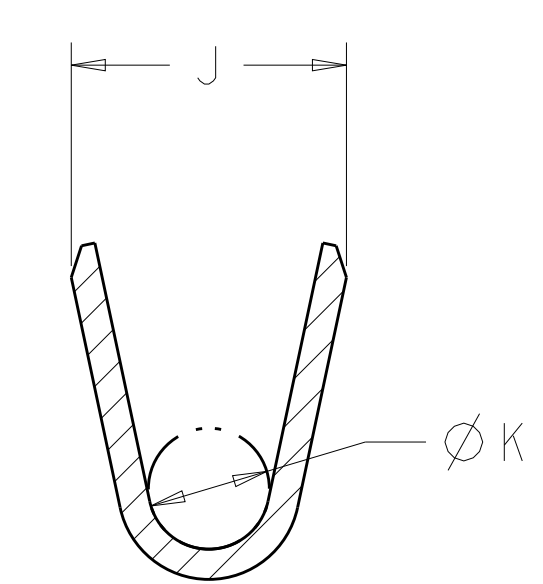
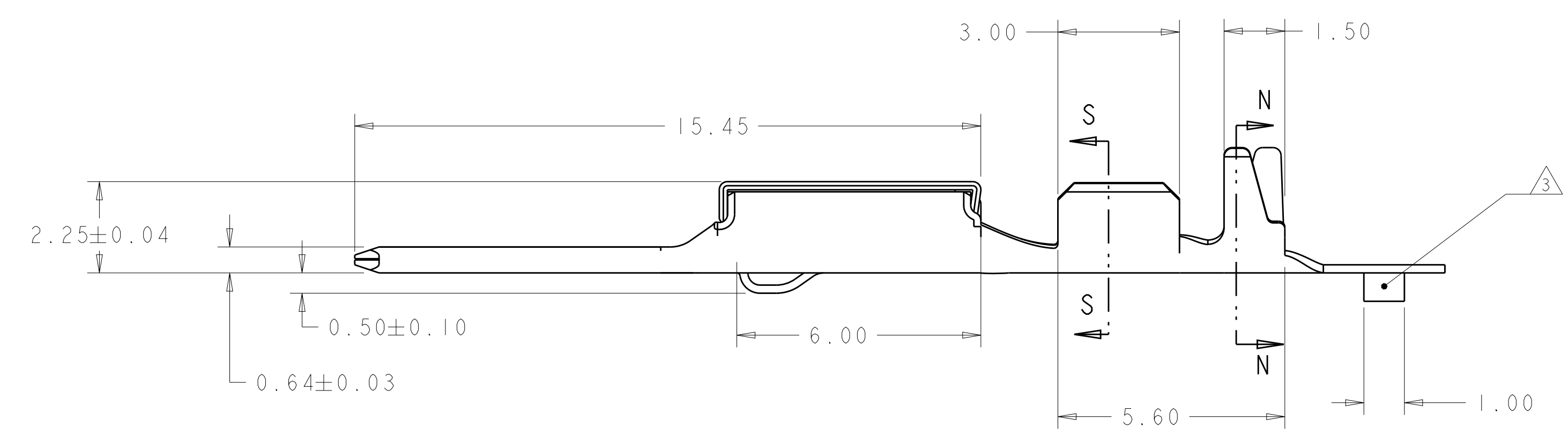
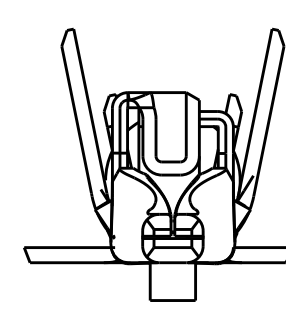
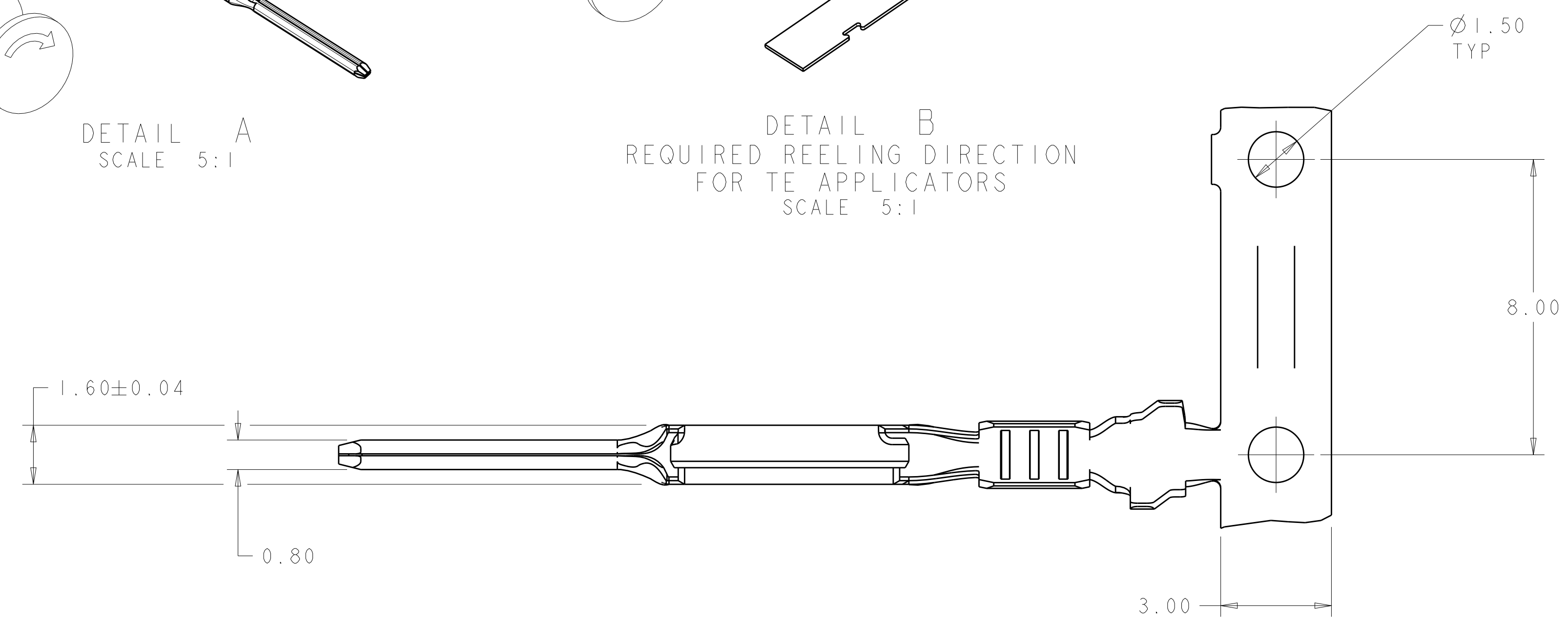
- △ MATERIAL: BRASS
- △ FINISH: PRE-PLATED WITH 0.80µm MIN TIN
- △ MATERIAL ID FEATURE IN "DOWN" POSITION.
- 4. THE INTENDED TEMPERATURE RANGE FOR THIS TERMINAL IS -40° C TO 100° C.
- △ NOT FOR SEALED APPLICATIONS.



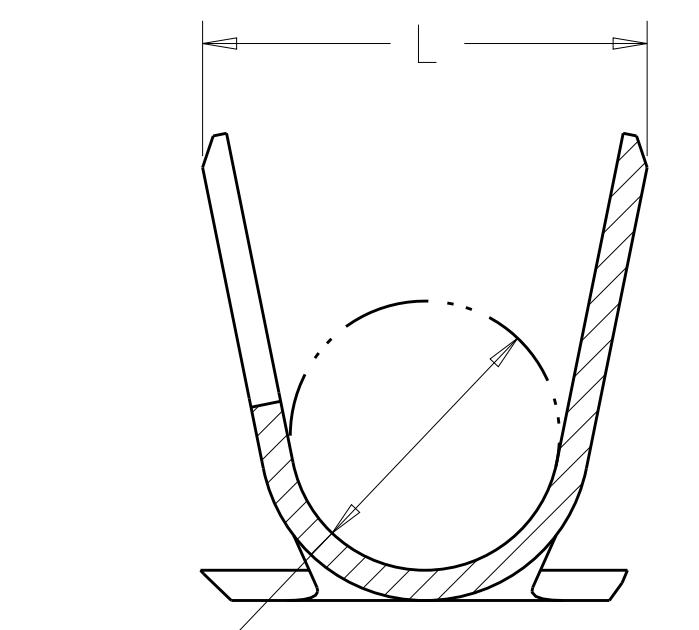
DETAIL A  
SCALE 5:1



DETAIL B  
REQUIRED REELING DIRECTION  
FOR TE APPLICATORS  
SCALE 5:1



SECTION S-S  
SCALE 20:1



SECTION N-N  
SCALE 20:1

0.13mm <sup>2</sup> = 0.85-1.05	DETAIL B	1.40	2.40	0.80	1.85	△	2X 0.13mm <sup>2</sup>	1924968-8 △
0.35mm <sup>2</sup> = 1.10-1.40							0.35mm <sup>2</sup>	
0.85-1.05	DETAIL B	0.85	1.82	0.65	1.50	△	26 [0.13mm <sup>2</sup> ]	1924968-7 △
0.13mm <sup>2</sup> = 0.85-1.05	DETAIL A	1.40	2.40	0.80	1.85	△	2X 0.13mm <sup>2</sup>	1924968-6 △
0.35mm <sup>2</sup> = 1.10-1.40							0.35mm <sup>2</sup>	
0.85-1.05	DETAIL A	0.85	1.82	0.65	1.50	△	26 [0.13mm <sup>2</sup> ]	1924968-5 △
2.06 MAX	DETAIL B	1.78	2.94	1.00	1.96	△	18 [0.75mm <sup>2</sup> ]	1924968-4
1.50-1.85	DETAIL B	1.78	2.94	0.80	1.82	△	20-22 [0.5-0.35mm <sup>2</sup> ]	1924968-3
2.06 MAX	DETAIL A	1.78	2.94	1.00	1.96	△	18 [0.75mm <sup>2</sup> ]	1924968-2
1.50-1.85	DETAIL A	1.78	2.94	0.80	1.82	△	20-22 [0.5-0.35mm <sup>2</sup> ]	1924968-1
INSULATION DIAMETER	REELING	M	L	K	J	FINISH	WIRE SIZE	PART NUMBER

THIS DRAWING IS A CONTROLLED DOCUMENT.

DIMENSIONS:	TOLERANCES UNLESS OTHERWISE SPECIFIED:	DWN: MOLL 02OCT2008	CHK: J. HALL 02OCT2008	APVD: J. HALL 02OCT2008
mm	0 PLC ±0.3 1 PLC ±0.3 2 PLC ±0.15 3 PLC ± 4 PLC ± ANGLES ±1°	PRODUCT SPEC: 108-2296-1	APPLICATION SPEC: 114-13183	WEIGHT: -
MATERIAL: △	FINISH: -	SIZE: A1	CAGE CODE: 100779	DRAWING NO: 1924968
CUSTOMER DRAWING		SCALE: 10:1	SHEET: 1 OF 1	REV: A7

**STE** TE Connectivity  
 CONTACT, MALE, 0.64mm, GENERATION Y

## X-ON Electronics

Largest Supplier of Electrical and Electronic Components

*Click to view similar products for [Automotive Connectors](#) category:*

*Click to view products by [TE Connectivity](#) manufacturer:*

Other Similar products are found below :

[003-018-000](#) [60403001](#) [60993906-B](#) [M902-2131](#) [M902-2161](#) [72.330.1035.1](#) [73.353.4028.0](#) [F119300-B](#) [F166900](#) [F258300-B](#) [F358300-B](#)  
[F407400](#) [F444110](#) [F487000](#) [F509500B-B](#) [827153-1](#) [8N1515-32-24P](#) [9-1326729-8](#) [925474-1](#) [928905-1](#) [964562-4](#) [968782-1](#) [GT17SA-8DS-](#)  
[HU](#) [98891-1012](#) [98947-1016](#) [12004147](#) [12004475-L](#) [12010290](#) [12010309-B](#) [12015454](#) [12020219-B](#) [12020308](#) [12041318-B](#) [12052225-L](#)  
[12052466](#) [12059125](#) [12064869](#) [12004327-B](#) [12010503-B](#) [12015308](#) [12015384](#) [12015909](#) [1-21030-1](#) [12041254](#) [12041318](#) [12047946-B](#)  
[12047957](#) [12047957-L](#) [12059473](#) [12066261](#)