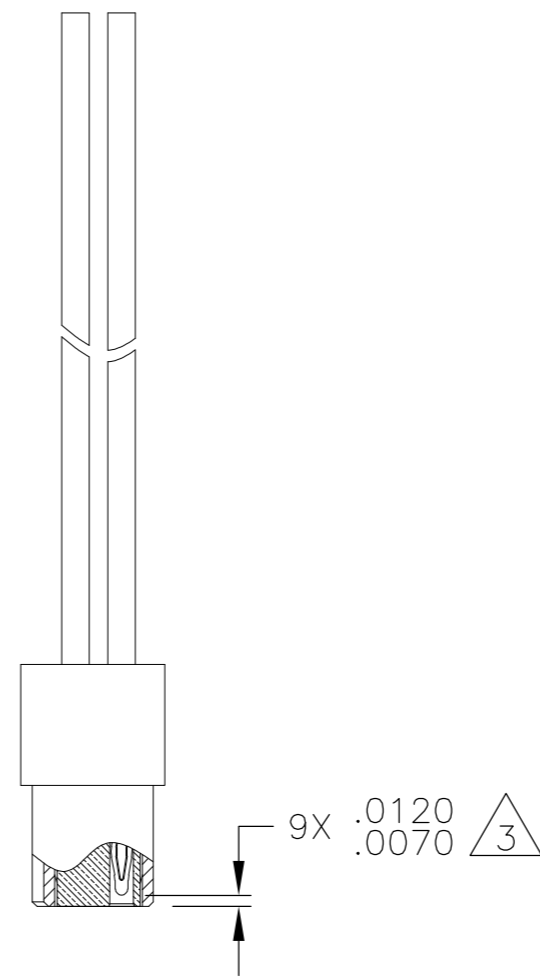
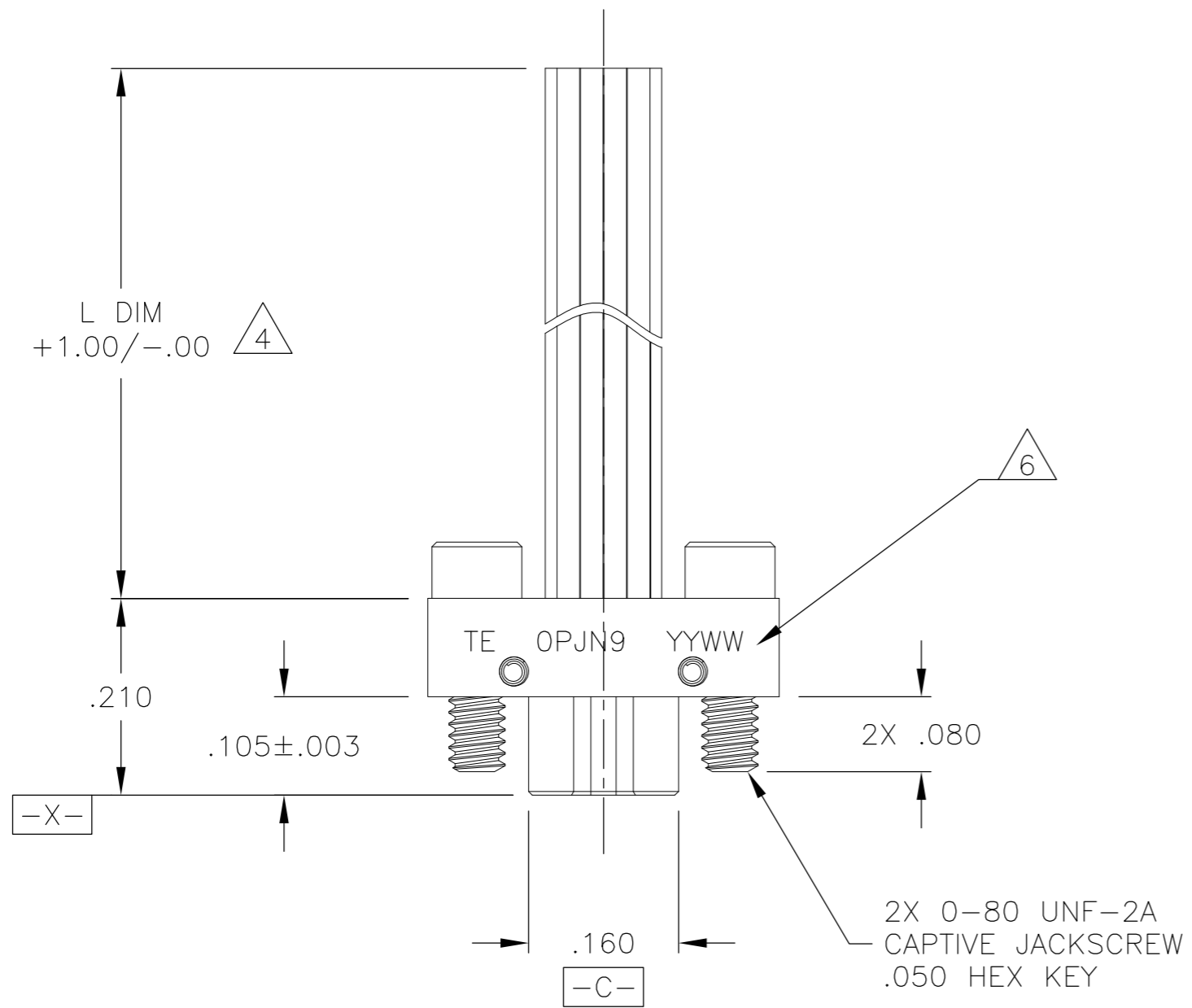
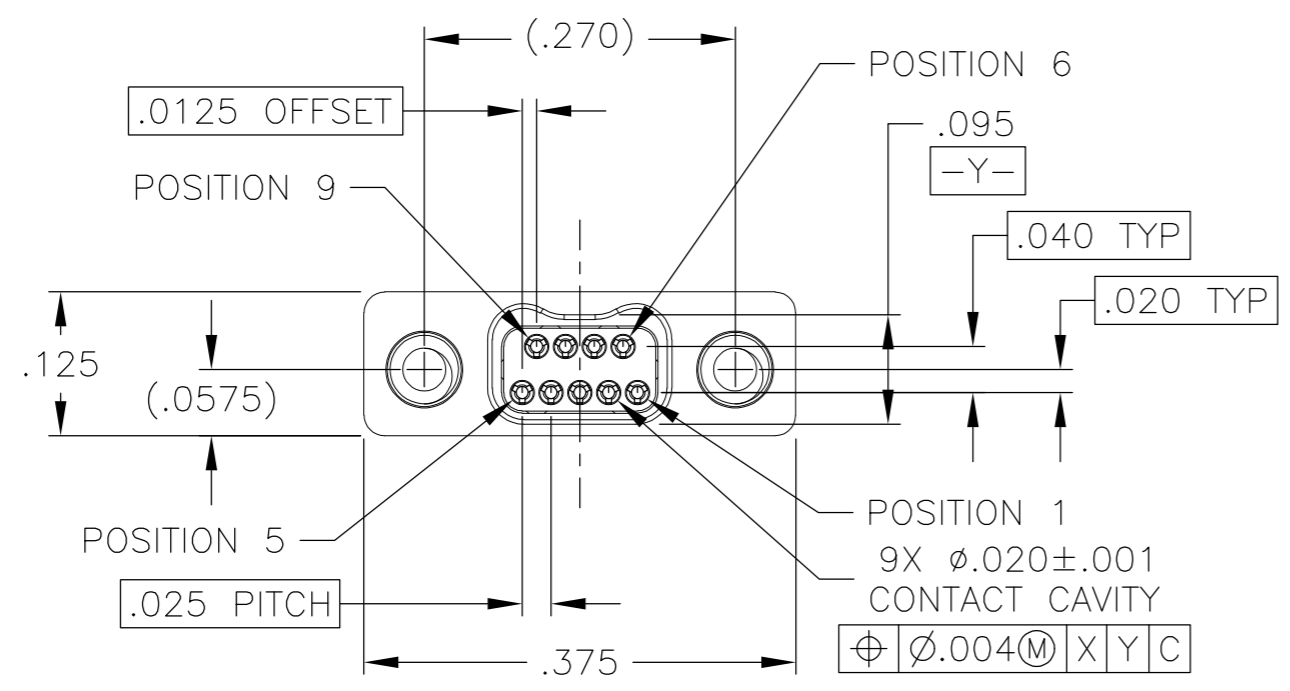
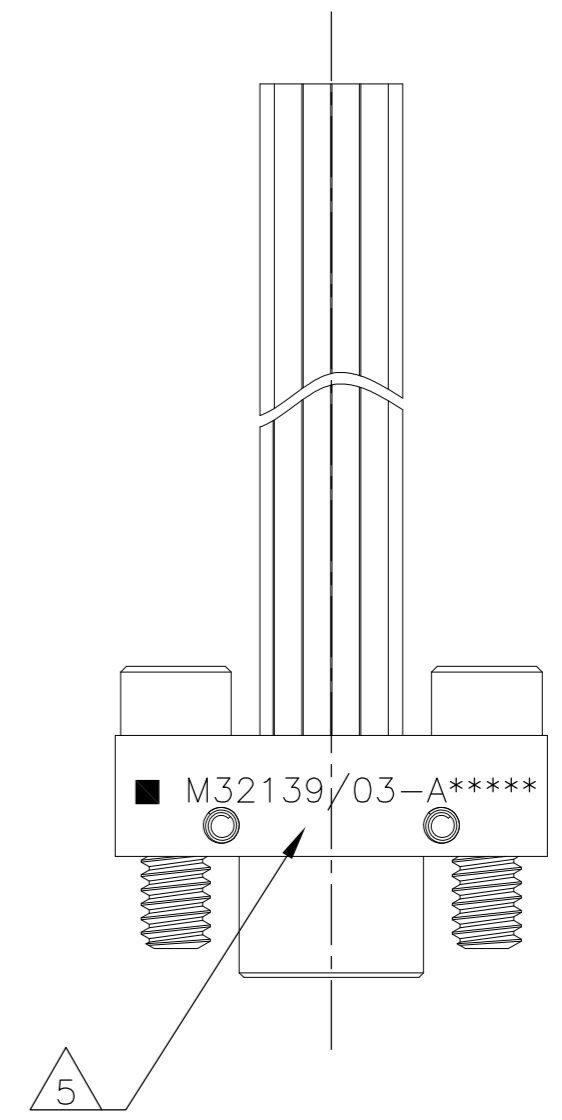


THIS DRAWING IS UNPUBLISHED. RELEASED FOR PUBLICATION
 © COPYRIGHT - By - ALL RIGHTS RESERVED.

| LOC | | DIST | | REVISIONS | | | |
|-----|-----|-----------------------|--|-----------|-----|------|--|
| P | LTR | DESCRIPTION | | DATE | DWN | APVD | |
| B | | REV PER ECO 15-007382 | | 5-18-15 | CT | RL | |



JACKSCREWS OMITTED FOR CLARITY





- 1 ALL DIMENSIONS, MATERIALS, AND FINISHES ARE IN ACCORDANCE WITH MIL-DTL-32139 AND MIL-DTL-32139/3
- 2 SEE SHEET 2 FOR MIL-DTL-32139 PIN (PART IDENTIFYING NUMBER) AND CORRESPONDING TE PART NUMBERS
- 3 INSULATOR SHALL BE FLUSH WITH THE SHELL TO WITHIN ±.004
- 4 WIRE TYPE DEFINED BY MIL-DTL-32139/3
- 5 CONNECTOR SHALL BE MARKED IN ACCORDANCE WITH METHOD I OF MIL-STD-1285. MARKING SHALL CONTAIN THE MILITARY PIN AND POSITION 1 INDICATED BY AN IDENTIFIABLE MARK, LOCATED APPROXIMATELY AS SHOWN ON THE POSITION 1 SIDE OF THE CONNECTOR FLANGE. TEXT HEIGHT SHALL BE .035 INCH MINIMUM.
- 6 CONNECTOR SHALL BE MARKED IN ACCORDANCE WITH METHOD I OF MIL-STD-1285. MARKING SHALL CONTAIN TE, CAGE CODE AND DATE CODE. EXAMPLE: TE OPJN9 YYWW (WHERE YYWW IS THE DATE CODE). TEXT HEIGHT SHALL BE .035 INCH MINIMUM.

| | | | | |
|--|------------------|---------------------------|---|-----------------|
| THIS DRAWING IS A CONTROLLED DOCUMENT. | | DWN 16 AUG 10 C SCHOLL | | |
| DIMENSIONS: INCHES | | CHK 16 AUG 10 M STORRY | | |
| TOLERANCES UNLESS OTHERWISE SPECIFIED: | | APVD - | NAME | |
| 0 PLC ± - | | PRODUCT SPEC - | PLUG ASSEMBLY, TWO ROW, FLYING LEADS, PER MIL-DTL-32139/3, SIZE 9 | |
| 1 PLC ± - | | APPLICATION SPEC - | SIZE A2 | CAGE CODE OPJN9 |
| 2 PLC ± - | | WEIGHT - | DRAWING NO C=1925214 | RESTRICTED TO - |
| 3 PLC ± .005 | | CUSTOMER DRAWING | SCALE 6:1 | SHEET 1 of 2 |
| 4 PLC ± - | | | | REV B |
| ANGLES ± 2° | | | | |
| MATERIAL SEE NOTES | FINISH SEE NOTES | | | |

1925214

THIS DRAWING IS UNPUBLISHED. RELEASED FOR PUBLICATION
 © COPYRIGHT - By - ALL RIGHTS RESERVED.

| LOC | | DIST | | REVISIONS | | | |
|-----|-----|-------------|------|-----------|------|--|--|
| P | LTR | DESCRIPTION | DATE | DWN | APVD | | |
| - | - | SEE SHEET 1 | - | - | - | | |

| PART NUMBER CROSS REFERENCE | | | |
|-----------------------------|---|--|-------------------|
| TE P/N | L DIM  | MIL SPEC PIN  | NANONICS P/N |
| 1925214-1 | 6 | M32139/03-A01SNS | TMN2N009PC2DX006S |
| 1925214-2 | 6 | M32139/03-A01SSS | TMN2S009PC2DX006S |
| 1925214-3 | 18 | M32139/03-A02SNS | TMN2N009PC2DX018S |
| 1925214-4 | 18 | M32139/03-A02SSS | TMN2S009PC2DX018S |
| 1925214-5 | 36 | M32139/03-A03SNS | TMN2N009PC2DX036S |
| 1925214-6 | 36 | M32139/03-A03SSS | TMN2S009PC2DX036S |
| 1925214-7 | 6 | M32139/03-A04SNS | TMN2N009PC2DM006S |
| 1925214-8 | 6 | M32139/03-A04SSS | TMN2S009PC2DM006S |
| 1925214-9 | 18 | M32139/03-A05SNS | TMN2N009PC2DM018S |
| 1-1925214-0 | 18 | M32139/03-A05SSS | TMN2S009PC2DM018S |
| 1-1925214-1 | 36 | M32139/03-A06SNS | TMN2N009PC2DM036S |
| 1-1925214-2 | 36 | M32139/03-A06SSS | TMN2S009PC2DM036S |
| 1-1925214-3 | 6 | M32139/03-A07SNS | TMN2N009PC2DT006S |
| 1-1925214-4 | 6 | M32139/03-A07SSS | TMN2S009PC2DT006S |
| 1-1925214-5 | 18 | M32139/03-A08SNS | TMN2N009PC2DT018S |
| 1-1925214-6 | 18 | M32139/03-A08SSS | TMN2S009PC2DT018S |
| 1-1925214-7 | 36 | M32139/03-A09SNS | TMN2N009PC2DT036S |
| 1-1925214-8 | 36 | M32139/03-A09SSS | TMN2S009PC2DT036S |
| 1-1925214-9 | 6 | M32139/03-A10SNS | TMN2N009PC2TM006S |
| 2-1925214-0 | 6 | M32139/03-A10SSS | TMN2S009PC2TM006S |
| 2-1925214-1 | 18 | M32139/03-A11SNS | TMN2N009PC2TM018S |
| 2-1925214-2 | 18 | M32139/03-A11SSS | TMN2S009PC2TM018S |
| 2-1925214-3 | 36 | M32139/03-A12SNS | TMN2N009PC2TM036S |
| 2-1925214-4 | 36 | M32139/03-A12SSS | TMN2S009PC2TM036S |

| | | | |
|-------------|----|------------------|-------------------|
| 2-1925214-5 | 6 | M32139/03-A13SNS | TMN2N009PC2CX006S |
| 2-1925214-6 | 6 | M32139/03-A13SSS | TMN2S009PC2CX006S |
| 2-1925214-7 | 18 | M32139/03-A14SNS | TMN2N009PC2CX018S |
| 2-1925214-8 | 18 | M32139/03-A14SSS | TMN2S009PC2CX018S |
| 2-1925214-9 | 36 | M32139/03-A15SNS | TMN2N009PC2CX036S |
| 3-1925214-0 | 36 | M32139/03-A15SSS | TMN2S009PC2CX036S |
| 3-1925214-1 | 6 | M32139/03-A16SNS | TMN2N009PC2CM006S |
| 3-1925214-2 | 6 | M32139/03-A16SSS | TMN2S009PC2CM006S |
| 3-1925214-3 | 18 | M32139/03-A17SNS | TMN2N009PC2CM018S |
| 3-1925214-4 | 18 | M32139/03-A17SSS | TMN2S009PC2CM018S |
| 3-1925214-5 | 36 | M32139/03-A18SNS | TMN2N009PC2CM036S |
| 3-1925214-6 | 36 | M32139/03-A18SSS | TMN2S009PC2CM036S |

TMN X X XXX XX X XX XXX X

CLASS
M32139




ROW
2 2 ROW

FINISH
N ELECTROLESS NICKEL
S STAINLESS STEEL

POSITION
009 09 POSITION




HARDWARE/THREADS
S 0-80 JACKSCREW, CAPTIVATED (PLUGS)


CONDUCTOR LENGTH
006 SIX INCHES
018 EIGHTEEN INCHES
036 THIRTY SIX INCHES

CONDUCTOR TYPE
DX WHITE PTFE PER NEMA HP3-ETXBBB9
DM COLOR CODED PTFE PER MIL-STD-681, SYSTEM 1 
DT WHITE ETFE PER M22759/33-30-9
TM COLOR CODED ETFE PER MIL-STD-681, SYSTEM 1 
CX WHITE COMPOSITE/PTFE PER DSCC 04047-30A-9
CM COLOR CODED COMPOSITE/PTFE PER MIL-STD-681, SYSTEM 1 

CONDUCTOR SIZE/STRANDS
2 30AWG 7 STRAND

CONFIGURATION
PC PLUG

-  THE FINAL 'S' IN THE MIL-SPEC PIN SIGNIFIES THAT THE CONNECTOR IS "SPACE CLASS". OMITTING THIS CHARACTER WILL YIELD THE SAME CORRESPONDING TE AND NANONICS PART NUMBERS.
-  THE COLOR CODE SHALL ONLY INCLUDE THE 10 SOLID COLORS IN REPEATING SEQUENCE.
-  PRELIMINARY PARTS - NOT RELEASED FOR PRODUCTION

| | | | | |
|---|--|------------------------------|---|-----------------------|
| THIS DRAWING IS A CONTROLLED DOCUMENT. | | DWN C SCHOLL 16 AUG 10 |  TE Connectivity | |
| DIMENSIONS: INCHES | | CHK M STORRY 16 AUG 10 | | |
| TOLERANCES UNLESS OTHERWISE SPECIFIED: | | APVD - | NAME PLUG ASSEMBLY, TWO ROW, FLYING LEADS, PER MIL-DTL-32139/3, SIZE 9 | |
| 0 PLC ± - 1 PLC ± - 2 PLC ± - 3 PLC ± - 4 PLC ± - ANGLES ± - | | PRODUCT SPEC - | SIZE A2 | |
| MATERIAL - | | APPLICATION SPEC - | CAGE CODE 0PJN9 | DRAWING NO 1925214 |
| FINISH - | | WEIGHT - | RESTRICTED TO - | SCALE 6:1 |
| | | CUSTOMER DRAWING | SHEET 2 of 2 | REV B |

X-ON Electronics

Largest Supplier of Electrical and Electronic Components

Click to view similar products for [D-Sub Micro-D Connectors](#) category:

Click to view products by [TE Connectivity](#) manufacturer:

Other Similar products are found below :

[M243082311F](#) [M2430834F](#) [M24308/4-6F](#) [65-1920-15](#) [M83513/01-HN](#) [M83513/03-A10N](#) [M83513/03-B14C](#) [M83513/03-D09C](#) [M83513/03-D11N](#) [M83513/03-G02N](#) [M83513/03-G05N](#) [M83513/03-G08C](#) [M83513/03-G09N](#) [M83513/03-G12N](#) [M83513/03-H13N](#) [M83513/04-E15N](#) [M83513/04-G04C](#) [M83513/10-E01NP](#) [M83513/13-B01NP](#) [M83513/13-C01NN](#) [M83513/16-A01CP](#) [M83513/22-D01NP](#) [M83513/25-B01NP](#) [6R2004A30F015](#) [6R4006A28A120](#) [703006A13F060](#) [704002A03F200](#) [705001A13F120](#) [7-1532020-5](#) [748567-1-P](#) [MDB1-31SH003](#) [MDM-15PBS-L58](#) [MDM-15PCBRM7T](#) [MDM-15PH003B-A174](#) [75-068624-59S](#) [MDM-15PH034B](#) [MDM-15SH001L](#) [MDM-15SH004B](#) [MDM-21PH003K](#) [MDM-25PH003B-A174](#) [MDM-25PHW01F-A174](#) [MDM-37PH006L-A174](#) [MDM-37PH048M5-A174](#) [MDM-37SCBRP-A174](#) [MDM-51PBS-L56](#) [MDM-51PSF](#) [MDM-51SH003M7](#) [MDM-51SSM7-A174](#) [MDM-9PBSP-L58](#) [MDM-9PH003M7](#)