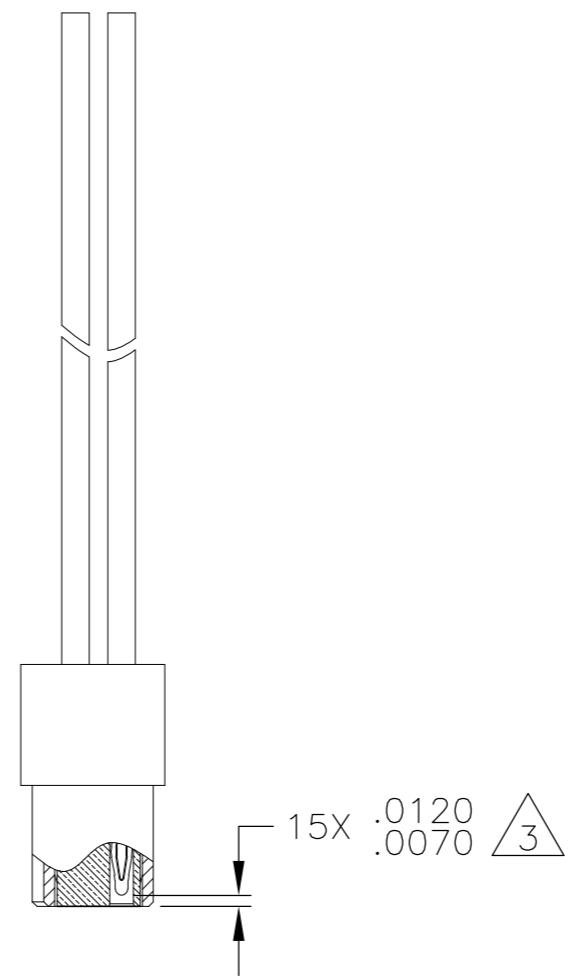
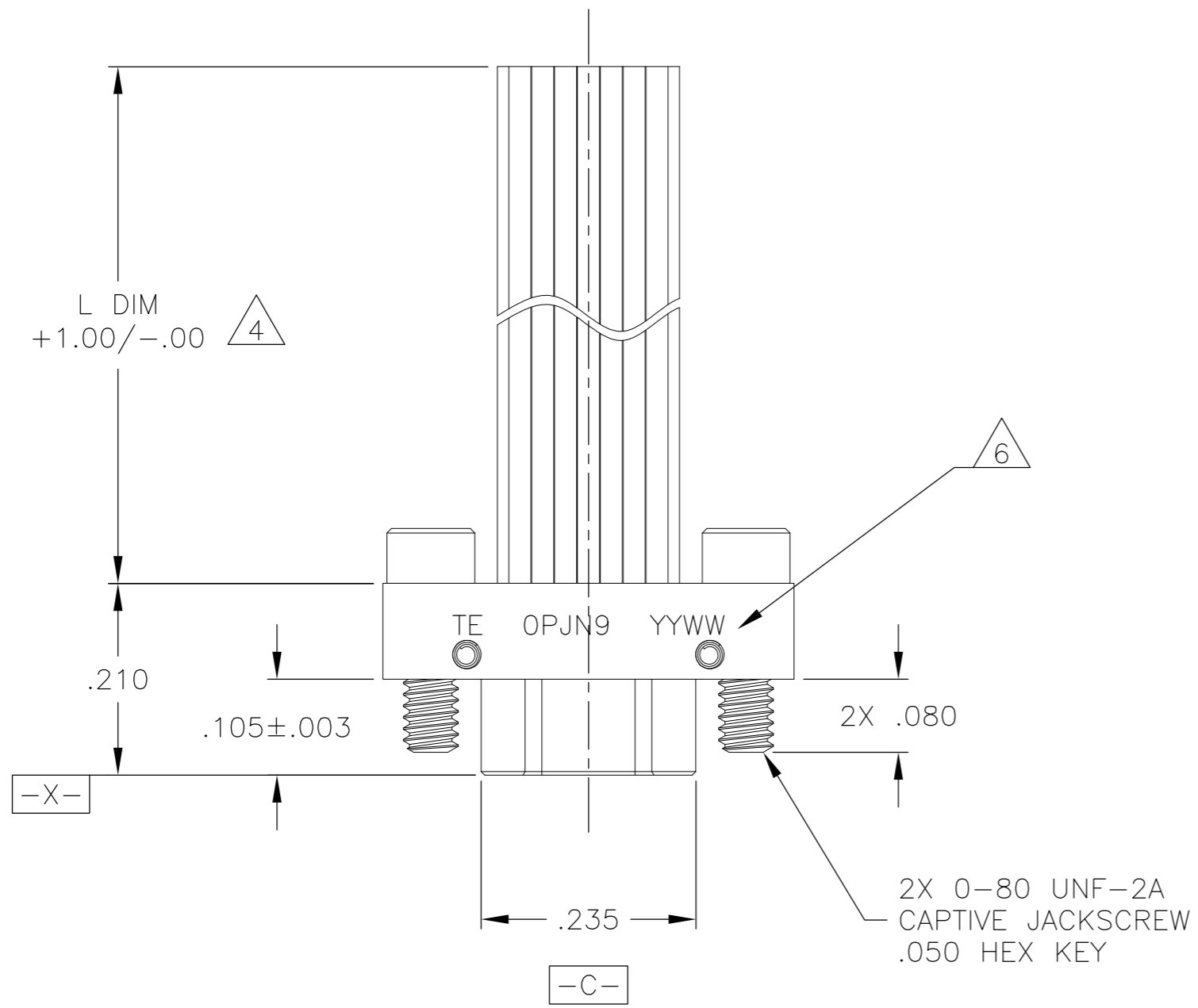
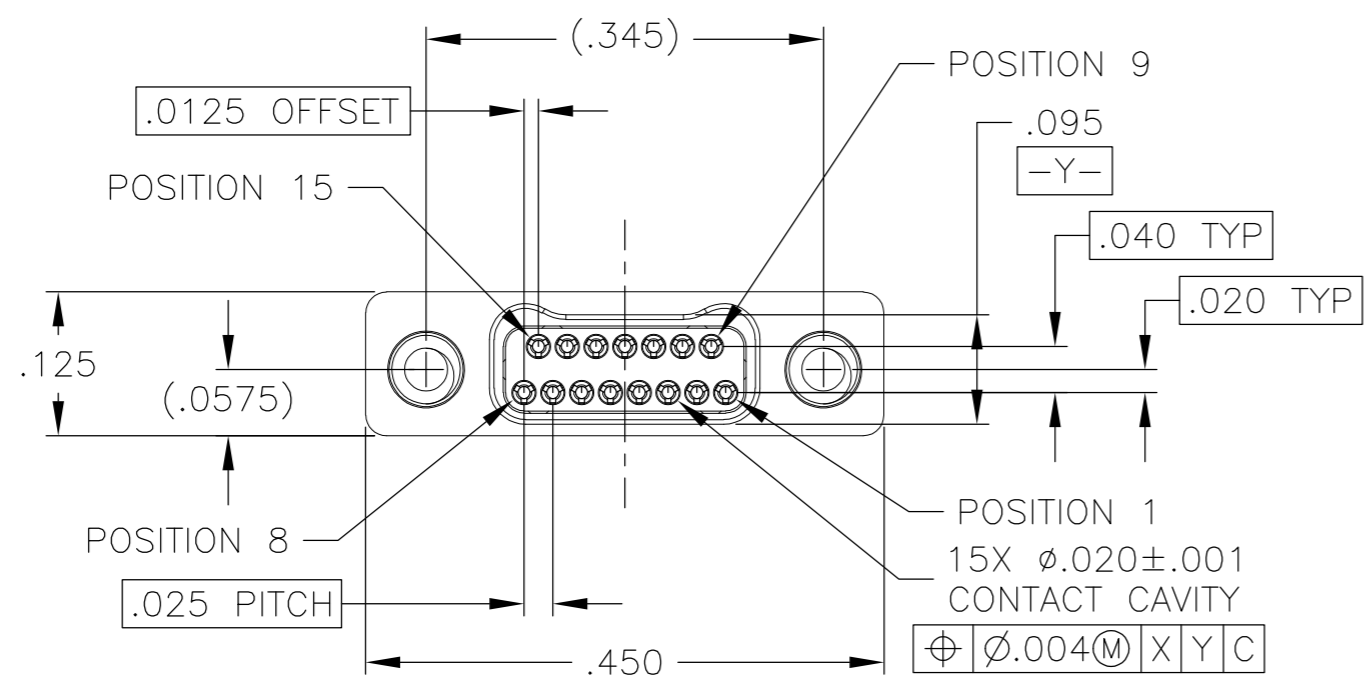
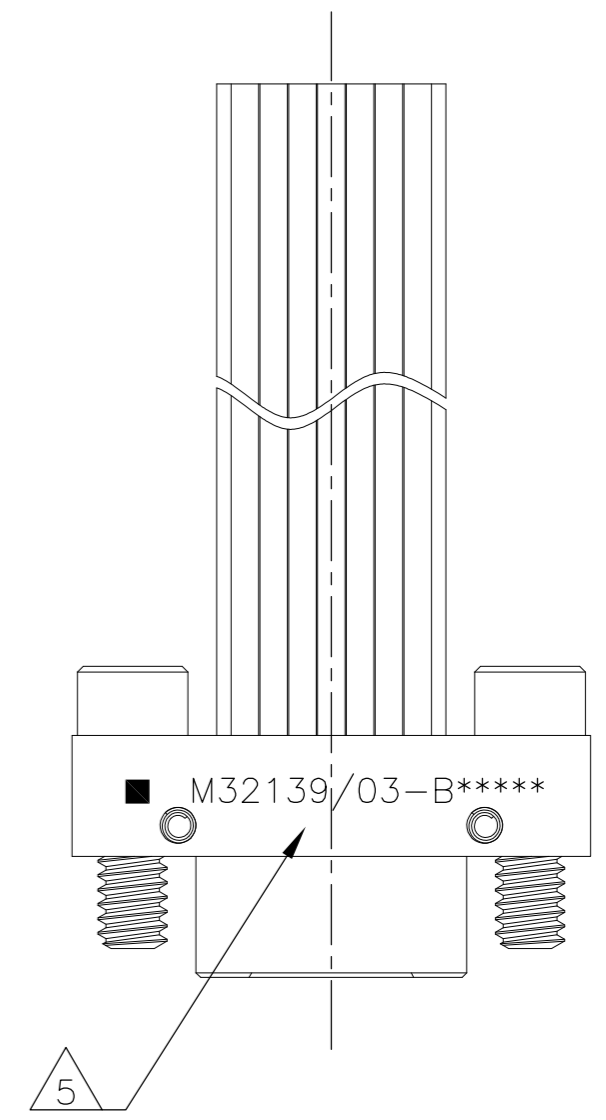


THIS DRAWING IS UNPUBLISHED. RELEASED FOR PUBLICATION
 © COPYRIGHT - By - ALL RIGHTS RESERVED.

LOC		DIST		REVISIONS			
P	LTR	DESCRIPTION		DATE	DWN	APVD	
B		REV PER ECO 15-007382		5-18-15	CT	RL	



JACKSCREWS OMITTED FOR CLARITY





1 ALL DIMENSIONS, MATERIALS, AND FINISHES ARE IN ACCORDANCE WITH MIL-DTL-32139 AND MIL-DTL-32139/3
 2 SEE SHEET 2 FOR MIL-DTL-32139 PIN (PART IDENTIFYING NUMBER) AND CORRESPONDING TE PART NUMBERS

- 3 INSULATOR SHALL BE FLUSH WITH THE SHELL TO WITHIN ±.004
- 4 WIRE TYPE DEFINED BY MIL-DTL-32139/3
- 5 CONNECTOR SHALL BE MARKED IN ACCORDANCE WITH METHOD I OF MIL-STD-1285. MARKING SHALL CONTAIN THE MILITARY PIN AND POSITION 1 INDICATED BY AN IDENTIFIABLE MARK, LOCATED APPROXIMATELY AS SHOWN ON THE POSITION 1 SIDE OF THE CONNECTOR FLANGE. TEXT HEIGHT SHALL BE .035 INCH MINIMUM.
- 6 CONNECTOR SHALL BE MARKED IN ACCORDANCE WITH METHOD I OF MIL-STD-1285. MARKING SHALL CONTAIN TE, CAGE CODE AND DATE CODE. EXAMPLE: TE OPJN9 YYWW (WHERE YYWW IS THE DATE CODE). TEXT HEIGHT SHALL BE .035 INCH MINIMUM.

THIS DRAWING IS A CONTROLLED DOCUMENT.		DWN	16 AUG 10		TE Connectivity		
DIMENSIONS: INCHES		CHK	16 AUG 10		NAME		
TOLERANCES UNLESS OTHERWISE SPECIFIED:		M STORRY			PLUG ASSEMBLY, TWO ROW, FLYING LEADS, PER MIL-DTL-32139/3, SIZE 15		
0 PLC ± -		APVD	-	PRODUCT SPEC	-		
1 PLC ± -		APPLICATION SPEC	-	SIZE	CAGE CODE	DRAWING NO	
2 PLC ± -		WEIGHT	-	A2	OPJN9	C=1925215	
3 PLC ± .005		CUSTOMER DRAWING	SCALE 6:1	SHEET 1 of 2		REV B	
4 PLC ± -							
ANGLES ± 2°							
MATERIAL	FINISH						
SEE NOTES	SEE NOTES						

THIS DRAWING IS UNPUBLISHED. RELEASED FOR PUBLICATION
 © COPYRIGHT - By - ALL RIGHTS RESERVED.

LOC		DIST		REVISIONS			
P	LTR	DESCRIPTION	DATE	DWN	APVD		
-	-	SEE SHEET 1	-	-	-		

PART NUMBER CROSS REFERENCE			
TE P/N	L DIM 	MIL SPEC PIN 	NANONICS P/N
1925215-1	6	M32139/03-B01SNS	TMN2N015PC2DX006S
1925215-2	6	M32139/03-B01SSS	TMN2S015PC2DX006S
1925215-3	18	M32139/03-B02SNS	TMN2N015PC2DX018S
1925215-4	18	M32139/03-B02SSS	TMN2S015PC2DX018S
1925215-5	36	M32139/03-B03SNS	TMN2N015PC2DX036S
1925215-6	36	M32139/03-B03SSS	TMN2S015PC2DX036S
1925215-7	6	M32139/03-B04SNS	TMN2N015PC2DM006S
1925215-8	6	M32139/03-B04SSS	TMN2S015PC2DM006S
1925215-9	18	M32139/03-B05SNS	TMN2N015PC2DM018S
1-1925215-0	18	M32139/03-B05SSS	TMN2S015PC2DM018S
1-1925215-1	36	M32139/03-B06SNS	TMN2N015PC2DM036S
1-1925215-2	36	M32139/03-B06SSS	TMN2S015PC2DM036S
1-1925215-3	6	M32139/03-B07SNS	TMN2N015PC2DT006S
1-1925215-4	6	M32139/03-B07SSS	TMN2S015PC2DT006S
1-1925215-5	18	M32139/03-B08SNS	TMN2N015PC2DT018S
1-1925215-6	18	M32139/03-B08SSS	TMN2S015PC2DT018S
1-1925215-7	36	M32139/03-B09SNS	TMN2N015PC2DT036S
1-1925215-8	36	M32139/03-B09SSS	TMN2S015PC2DT036S
1-1925215-9	6	M32139/03-B10SNS	TMN2N015PC2TM006S
2-1925215-0	6	M32139/03-B10SSS	TMN2S015PC2TM006S
2-1925215-1	18	M32139/03-B11SNS	TMN2N015PC2TM018S
2-1925215-2	18	M32139/03-B11SSS	TMN2S015PC2TM018S
2-1925215-3	36	M32139/03-B12SNS	TMN2N015PC2TM036S
2-1925215-4	36	M32139/03-B12SSS	TMN2S015PC2TM036S

2-1925215-5	6	M32139/03-B13SNS	TMN2N015PC2CX006S
2-1925215-6	6	M32139/03-B13SSS	TMN2S015PC2CX006S
2-1925215-7	18	M32139/03-B14SNS	TMN2N015PC2CX018S
2-1925215-8	18	M32139/03-B14SSS	TMN2S015PC2CX018S
2-1925215-9	36	M32139/03-B15SNS	TMN2N015PC2CX036S
3-1925215-0	36	M32139/03-B15SSS	TMN2S015PC2CX036S
3-1925215-1	6	M32139/03-B16SNS	TMN2N015PC2CM006S
3-1925215-2	6	M32139/03-B16SSS	TMN2S015PC2CM006S
3-1925215-3	18	M32139/03-B17SNS	TMN2N015PC2CM018S
3-1925215-4	18	M32139/03-B17SSS	TMN2S015PC2CM018S
3-1925215-5	36	M32139/03-B18SNS	TMN2N015PC2CM036S
3-1925215-6	36	M32139/03-B18SSS	TMN2S015PC2CM036S

TMN X X XXX XX X XX XXX X

CLASS
M32139


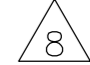

ROW
2 2 ROW

FINISH
N ELECTROLESS NICKEL
S STAINLESS STEEL

POSITION
015 15 POSITION




HARDWARE/THREADS
S 0-80 JACKSCREW, CAPTIVATED (PLUGS)


CONDUCTOR LENGTH
006 SIX INCHES
018 EIGHTEEN INCHES
036 THIRTY SIX INCHES

CONDUCTOR TYPE
DX WHITE PTFE PER NEMA HP3-ETXBBB9
DM COLOR CODED PTFE PER MIL-STD-681, SYSTEM 1 
DT WHITE ETFE PER M22759/33-30-9
TM COLOR CODED ETFE PER MIL-STD-681, SYSTEM 1 
CX WHITE COMPOSITE/PTFE PER DSCC 04047-30A-9
CM COLOR CODED COMPOSITE/PTFE PER MIL-STD-681, SYSTEM 1 

CONDUCTOR SIZE/STRANDS
2 30AWG 7 STRAND

CONFIGURATION
PC PLUG

-  THE FINAL 'S' IN THE MIL-SPEC PIN SIGNIFIES THAT THE CONNECTOR IS "SPACE CLASS". OMITTING THIS CHARACTER WILL YIELD THE SAME CORRESPONDING TE AND NANONICS PART NUMBERS.
-  THE COLOR CODE SHALL ONLY INCLUDE THE 10 SOLID COLORS IN REPEATING SEQUENCE.
-  PRELIMINARY PARTS - NOT RELEASED FOR PRODUCTION

THIS DRAWING IS A CONTROLLED DOCUMENT.		DWN C SCHOLL	16 AUG 10	 TE Connectivity	
DIMENSIONS: INCHES		CHK -	APVD -		
TOLERANCES UNLESS OTHERWISE SPECIFIED:		PRODUCT SPEC		SIZE A2	
0 PLC ± - 1 PLC ± - 2 PLC ± - 3 PLC ± - 4 PLC ± - ANGLES ± -		APPLICATION SPEC		CAGE CODE 0PJN9	
MATERIAL		WEIGHT		DRAWING NO 1925215	
FINISH		CUSTOMER DRAWING		RESTRICTED TO	
		SCALE 6:1		SHEET 2 of 2	
				REV B	

X-ON Electronics

Largest Supplier of Electrical and Electronic Components

Click to view similar products for [Rectangular Mil Spec Connectors](#) category:

Click to view products by [TE Connectivity](#) manufacturer:

Other Similar products are found below :

[006-1169-16](#) [CSR31343-0001-00000](#) [CSR31346-0001-A0001](#) [CSR31899-0001-00000](#) [CSR31900-0001-A0001](#) [CTJ-3D-05](#) [CTS-S16/16](#)
[M55302/57A36X](#) [M55302/58-A70Y](#) [65002-062](#) [65008-D08](#) [CY4602-000](#) [732-8020-01](#) [732-8021-02 B](#) [77058-22-55PN](#) [81542-20](#)
[86.030.0053.0](#) [1241346-1](#) [RM252-020-311-2900](#) [DMC-M 08-16 SNE](#) [1589051-4](#) [BACC65CAMA](#) [BACC65CAMN](#) [BACC65CP1PN](#)
[BACI10BC1220PN](#) [18023-9](#) [HSB-D4S03DM222X](#) [2217548-1](#) [891-009-15SA2-BRT1T](#) [SIM2S100A](#) [1604996-2](#) [SMD25PN90L-4055](#)
[1925036-4](#) [220A012-25225-0](#) [22628-10-6P-791](#) [CSR31343-0001-A0001](#) [CSR31899-0001-A0001](#) [CSR31900-0001-00000](#) [33526M11-08PD](#)
[RE04-212S](#) [CTD160E01F-6148](#) [CTJ112E03B](#) [CTJ122E02D-8000](#) [CTJ-3D-12](#) [CTJ920E06N-513](#) [CTL-16-090](#) [CTR06-5100SY](#)
[M55302/63A20H](#) [M55302/66-30H](#) [M81714/63-22S W/PLUGS INS](#)