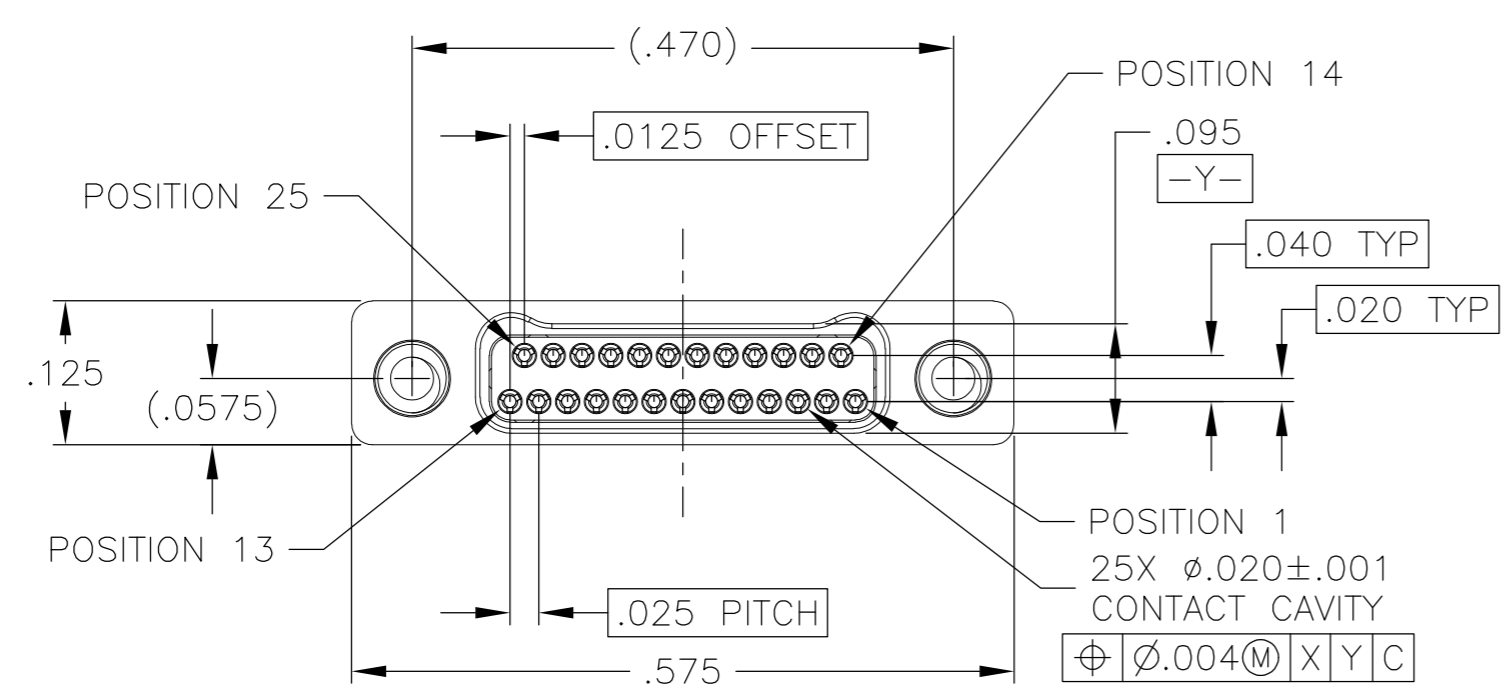
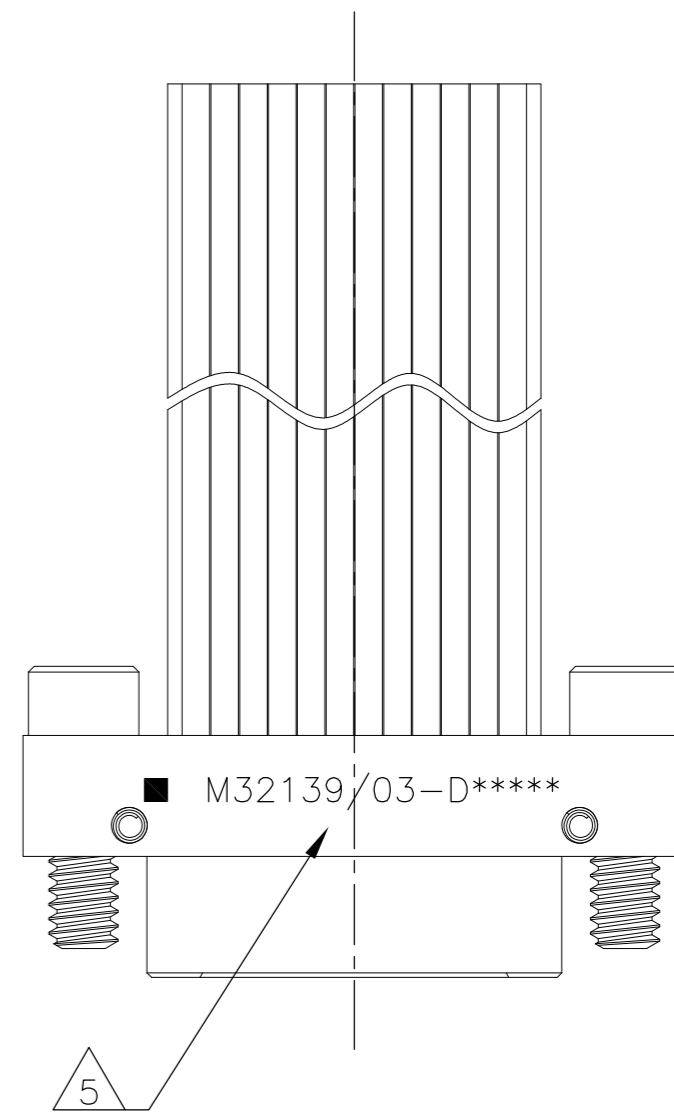
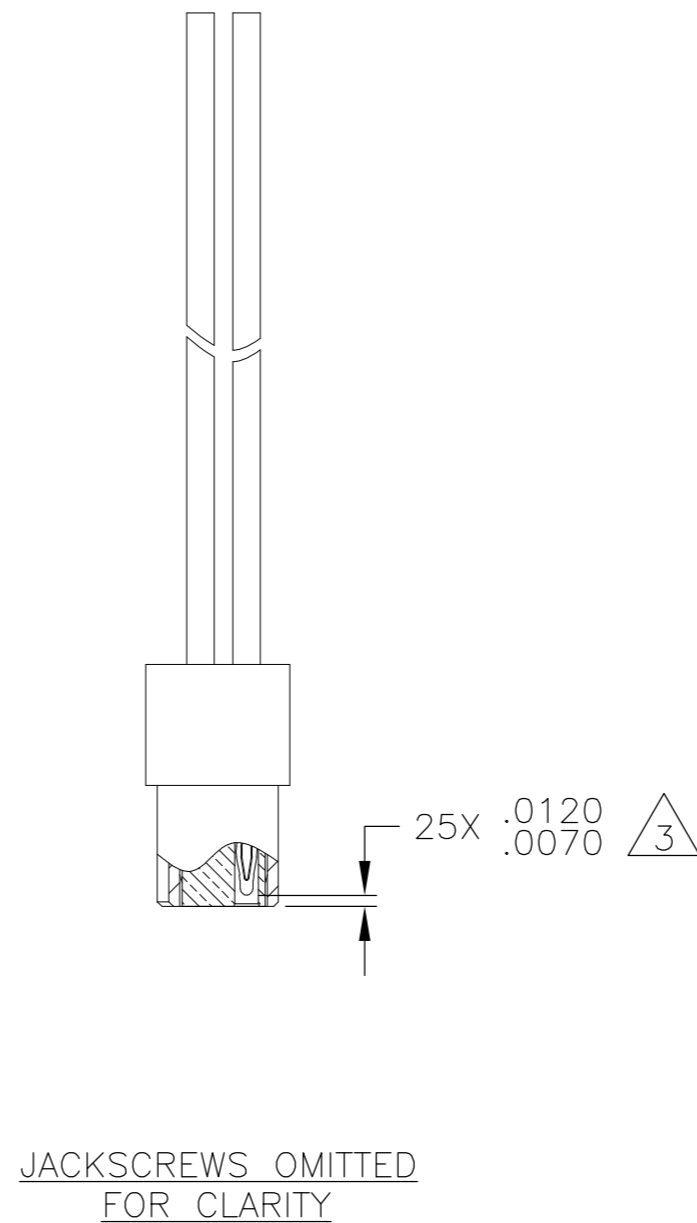
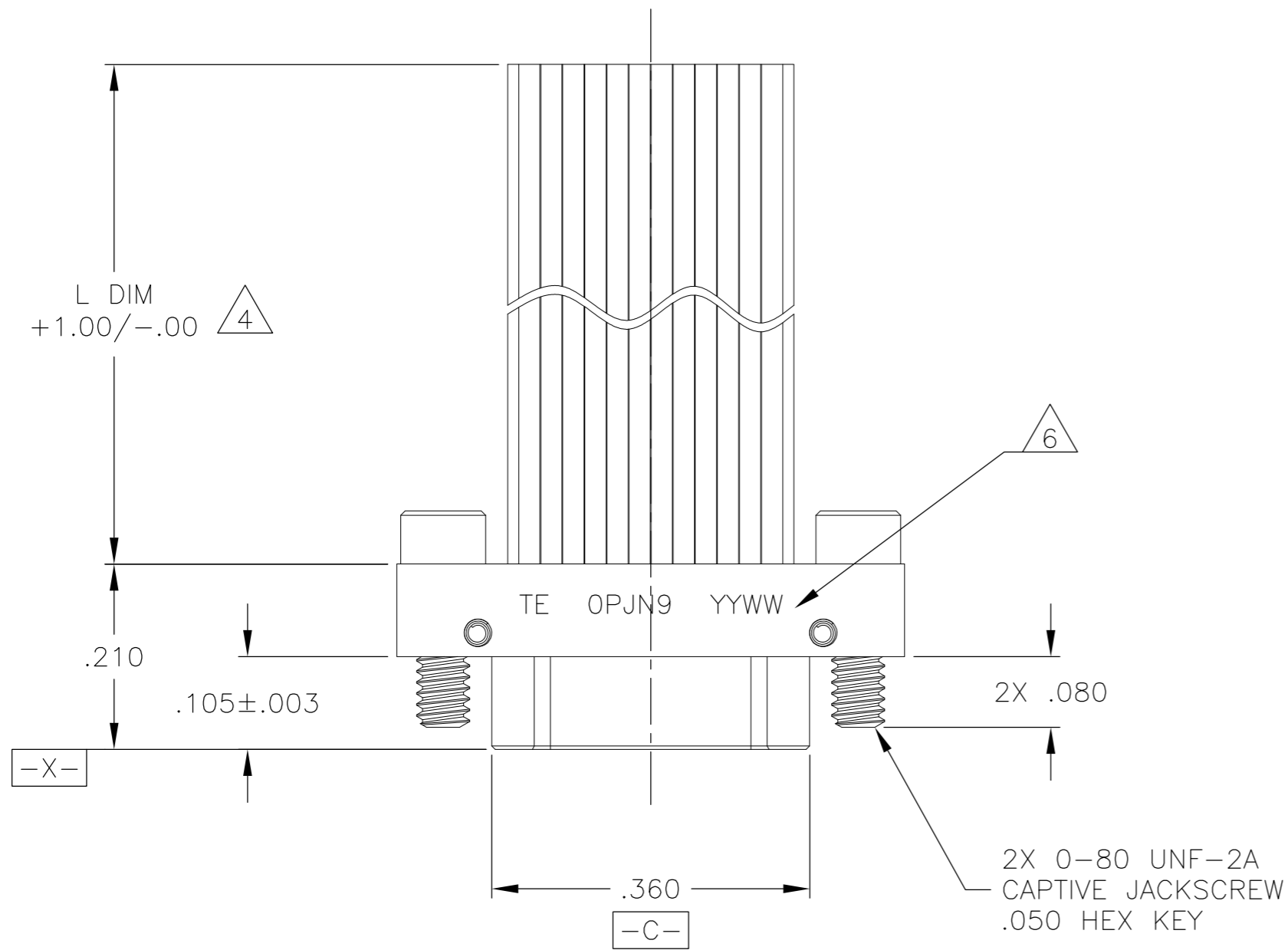


THIS DRAWING IS UNPUBLISHED. RELEASED FOR PUBLICATION  
 © COPYRIGHT - By - ALL RIGHTS RESERVED.

LOC		DIST		REVISIONS			
P	LTR	DESCRIPTION		DATE	DWN	APVD	
B		REV PER ECO 15-007382		5-18-15	CT	RL	





1 ALL DIMENSIONS, MATERIALS, AND FINISHES ARE IN ACCORDANCE WITH MIL-DTL-32139 AND MIL-DTL-32139/3  
 2 SEE SHEET 2 FOR MIL-DTL-32139 PIN (PART IDENTIFYING NUMBER) AND CORRESPONDING TE PART NUMBERS

- (3) INSULATOR SHALL BE FLUSH WITH THE SHELL TO WITHIN ±.004
- (4) WIRE TYPE DEFINED BY MIL-DTL-32139/3
- (5) CONNECTOR SHALL BE MARKED IN ACCORDANCE WITH METHOD I OF MIL-STD-1285. MARKING SHALL CONTAIN THE MILITARY PIN AND POSITION 1 INDICATED BY AN IDENTIFIABLE MARK, LOCATED APPROXIMATELY AS SHOWN ON THE POSITION 1 SIDE OF THE CONNECTOR FLANGE. TEXT HEIGHT SHALL BE .035 INCH MINIMUM.
- (6) CONNECTOR SHALL BE MARKED IN ACCORDANCE WITH METHOD I OF MIL-STD-1285. MARKING SHALL CONTAIN TE, CAGE CODE AND DATE CODE. EXAMPLE: TE OPJN9 YYWW (WHERE YYWW IS THE DATE CODE). TEXT HEIGHT SHALL BE .035 INCH MINIMUM.

THIS DRAWING IS A CONTROLLED DOCUMENT.		DWN C SCHOLL 16 AUG 10		
DIMENSIONS: INCHES		CHK M STORRY 16 AUG 10		
TOLERANCES UNLESS OTHERWISE SPECIFIED:		APVD -	NAME	
0 PLC ± -		PRODUCT SPEC -	PLUG ASSEMBLY, TWO ROW, FLYING LEADS, PER MIL-DTL-32139/3, SIZE 25	
1 PLC ± -		APPLICATION SPEC -	SIZE A2	CAGE CODE OPJN9
2 PLC ± -		WEIGHT -	DRAWING NO C=1925217	RESTRICTED TO -
3 PLC ± .005		CUSTOMER DRAWING	SCALE 6:1	SHEET 1 of 2
4 PLC ± -			REV B	
ANGLES ± 2°				
MATERIAL SEE NOTES	FINISH SEE NOTES			

THIS DRAWING IS UNPUBLISHED. RELEASED FOR PUBLICATION  
 © COPYRIGHT - By - ALL RIGHTS RESERVED.

LOC		DIST		REVISIONS			
P	LTR	DESCRIPTION	DATE	DWN	APVD		
-	-	SEE SHEET 1	-	-	-		

PART NUMBER CROSS REFERENCE			
TE P/N	L DIM 	MIL SPEC PIN 	NANONICS P/N
1925217-1	6	M32139/03-D01SNS	TMN2N025PC2DX006S
1925217-2	6	M32139/03-D01SSS	TMN2S025PC2DX006S
1925217-3	18	M32139/03-D02SNS	TMN2N025PC2DX018S
1925217-4	18	M32139/03-D02SSS	TMN2S025PC2DX018S
1925217-5	36	M32139/03-D03SNS	TMN2N025PC2DX036S
1925217-6	36	M32139/03-D03SSS	TMN2S025PC2DX036S
1925217-7	6	M32139/03-D04SNS	TMN2N025PC2DM006S
1925217-8	6	M32139/03-D04SSS	TMN2S025PC2DM006S
1925217-9	18	M32139/03-D05SNS	TMN2N025PC2DM018S
1-1925217-0	18	M32139/03-D05SSS	TMN2S025PC2DM018S
1-1925217-1	36	M32139/03-D06SNS	TMN2N025PC2DM036S
1-1925217-2	36	M32139/03-D06SSS	TMN2S025PC2DM036S
1-1925217-3	6	M32139/03-D07SNS	TMN2N025PC2DT006S
1-1925217-4	6	M32139/03-D07SSS	TMN2S025PC2DT006S
1-1925217-5	18	M32139/03-D08SNS	TMN2N025PC2DT018S
1-1925217-6	18	M32139/03-D08SSS	TMN2S025PC2DT018S
1-1925217-7	36	M32139/03-D09SNS	TMN2N025PC2DT036S
1-1925217-8	36	M32139/03-D09SSS	TMN2S025PC2DT036S
1-1925217-9	6	M32139/03-D10SNS	TMN2N025PC2TM006S
2-1925217-0	6	M32139/03-D10SSS	TMN2S025PC2TM006S
2-1925217-1	18	M32139/03-D11SNS	TMN2N025PC2TM018S
2-1925217-2	18	M32139/03-D11SSS	TMN2S025PC2TM018S
2-1925217-3	36	M32139/03-D12SNS	TMN2N025PC2TM036S
2-1925217-4	36	M32139/03-D12SSS	TMN2S025PC2TM036S

2-1925217-5	6	M32139/03-D13SNS	TMN2N025PC2CX006S
2-1925217-6	6	M32139/03-D13SSS	TMN2S025PC2CX006S
2-1925217-7	18	M32139/03-D14SNS	TMN2N025PC2CX018S
2-1925217-8	18	M32139/03-D14SSS	TMN2S025PC2CX018S
2-1925217-9	36	M32139/03-D15SNS	TMN2N025PC2CX036S
3-1925217-0	36	M32139/03-D15SSS	TMN2S025PC2CX036S
3-1925217-1	6	M32139/03-D16SNS	TMN2N025PC2CM006S
3-1925217-2	6	M32139/03-D16SSS	TMN2S025PC2CM006S
3-1925217-3	18	M32139/03-D17SNS	TMN2N025PC2CM018S
3-1925217-4	18	M32139/03-D17SSS	TMN2S025PC2CM018S
3-1925217-5	36	M32139/03-D18SNS	TMN2N025PC2CM036S
3-1925217-6	36	M32139/03-D18SSS	TMN2S025PC2CM036S

**TMN X X XXX XX X XX XXX X**

**CLASS**  
M32139


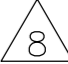

**ROW**  
2 2 ROW

**FINISH**  
N ELECTROLESS NICKEL  
S STAINLESS STEEL

**POSITION**  
025 25 POSITION




**HARDWARE/THREADS**  
S 0-80 JACKSCREW, CAPTIVATED (PLUGS)


**CONDUCTOR LENGTH**  
006 SIX INCHES  
018 EIGHTEEN INCHES  
036 THIRTY SIX INCHES

**CONDUCTOR TYPE**  
DX WHITE PTFE PER NEMA HP3-ETXBBB9  
DM COLOR CODED PTFE PER MIL-STD-681, SYSTEM 1   
DT WHITE ETFE PER M22759/33-30-9  
TM COLOR CODED ETFE PER MIL-STD-681, SYSTEM 1   
CX WHITE COMPOSITE/PTFE PER DSCC 04047-30A-9  
CM COLOR CODED COMPOSITE/PTFE PER MIL-STD-681, SYSTEM 1 

**CONDUCTOR SIZE/STRANDS**  
2 30AWG 7 STRAND

**CONFIGURATION**  
PC PLUG

-  THE FINAL 'S' IN THE MIL-SPEC PIN SIGNIFIES THAT THE CONNECTOR IS "SPACE CLASS". OMITTING THIS CHARACTER WILL YIELD THE SAME CORRESPONDING TE AND NANONICS PART NUMBERS.
-  THE COLOR CODE SHALL ONLY INCLUDE THE 10 SOLID COLORS IN REPEATING SEQUENCE.
-  PRELIMINARY PARTS - NOT RELEASED FOR PRODUCTION

THIS DRAWING IS A CONTROLLED DOCUMENT.		DWN C SCHOLL 16 AUG 10	 TE Connectivity	
DIMENSIONS: INCHES		CHK M STORRY 16 AUG 10		
TOLERANCES UNLESS OTHERWISE SPECIFIED:		APVD -	NAME PLUG ASSEMBLY, TWO ROW, FLYING LEADS, PER MIL-DTL-32139/3, SIZE 25	
0 PLC ± - 1 PLC ± - 2 PLC ± - 3 PLC ± - 4 PLC ± - ANGLES ± -		PRODUCT SPEC -	SIZE A2	
MATERIAL -		APPLICATION SPEC -	CAGE CODE 0PJN9	DRAWING NO 1925217
FINISH -		WEIGHT -	RESTRICTED TO -	SCALE 6:1
		CUSTOMER DRAWING	SHEET 2 of 2	REV B

## X-ON Electronics

Largest Supplier of Electrical and Electronic Components

*Click to view similar products for [D-Sub Micro-D Connectors](#) category:*

*Click to view products by [TE Connectivity](#) manufacturer:*

Other Similar products are found below :

[003626](#) [025-1227-000](#) [0685610016](#) [0688014147](#) [0688014227](#) [07190-SP036](#) [0745461602](#) [0751341000](#) [0795762102](#) [0797580009](#)  
[0834249014](#) [0836129020](#) [0836129024](#) [0836199011](#) [0887329200](#) [0897613412](#) [0923150410](#) [0923150615](#) [0923151609](#) [0923171036](#) [094-](#)  
[0116-2007](#) [094-6135-0000](#) [094-6136-0000](#) [094-6235-0000](#) [094-6335-0000](#) [094-6435-0000](#) [094-6535-0000](#) [094-6635-0000](#) [094-6636-0000](#)  
[094-6735-0000](#) [094-6935-0000](#) [094-6936-0000](#) [095-0605-2053](#) [095-0607-2055](#) [095479-0007](#) [095480-0011](#) [096510-0306](#) [09651226803](#)  
[096513-0002](#) [096516-0222](#) [098-9027-0029](#) [10090930-P150ALF](#) [100RC21SCBR1](#) [100RC31SCBRP2](#) [100RC37PC6P1](#) [100RN31P-C6PT2](#)  
[10114-3000PE](#) [10114-6000EC](#) [10114-6000EL](#) [10120-3000PE](#)