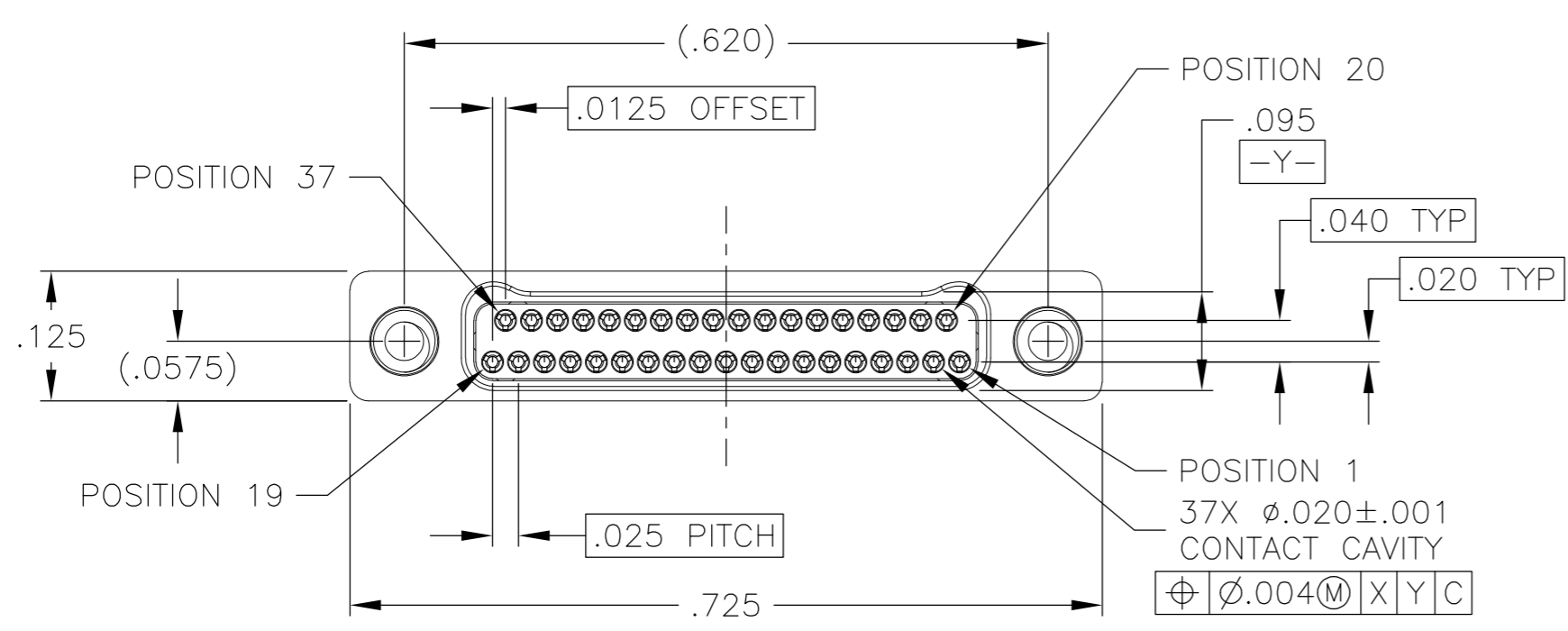
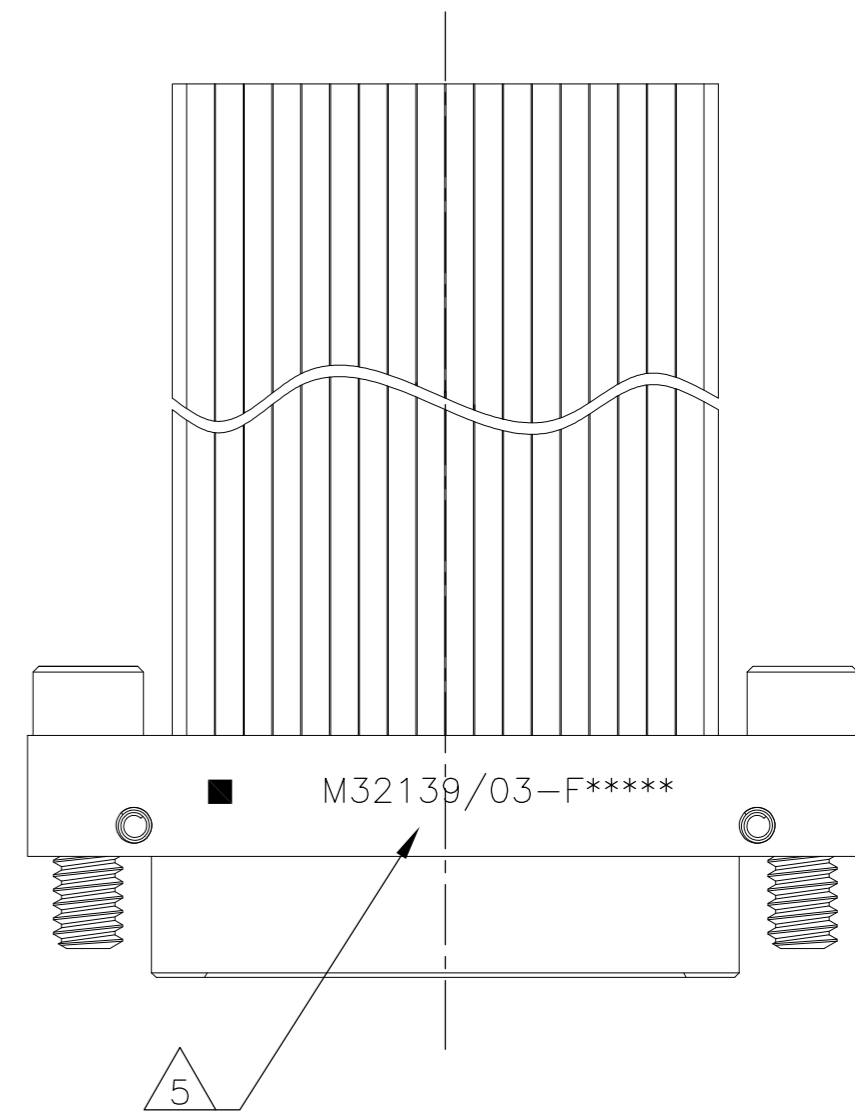
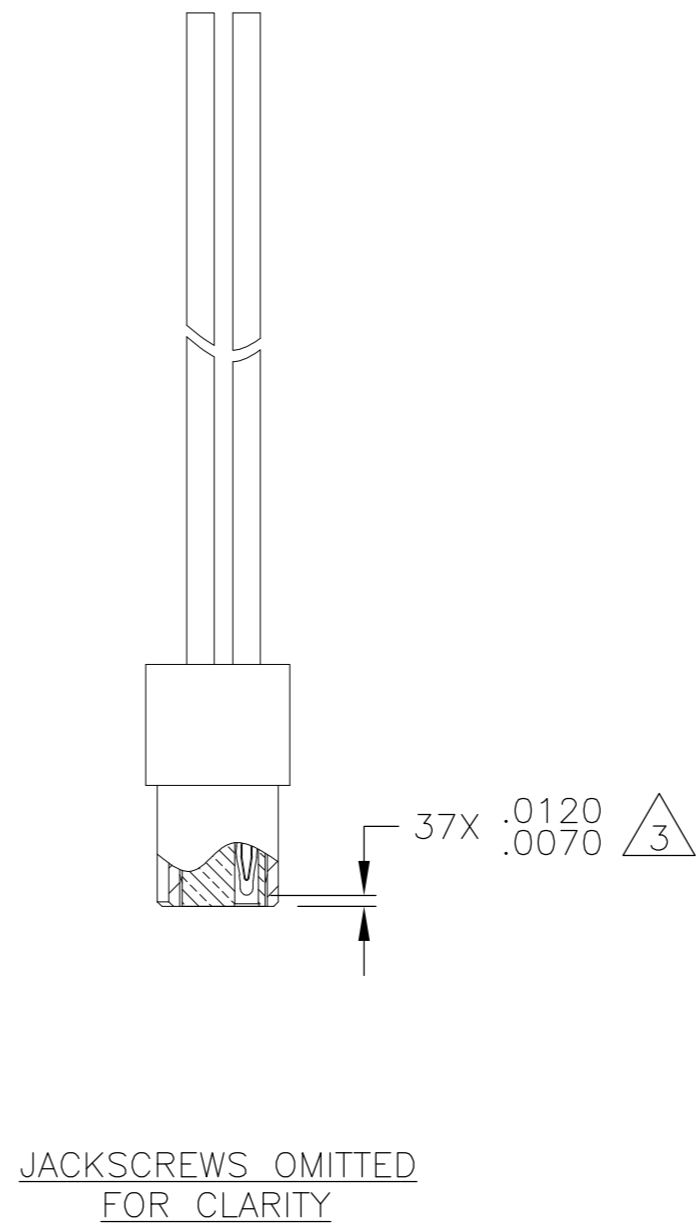
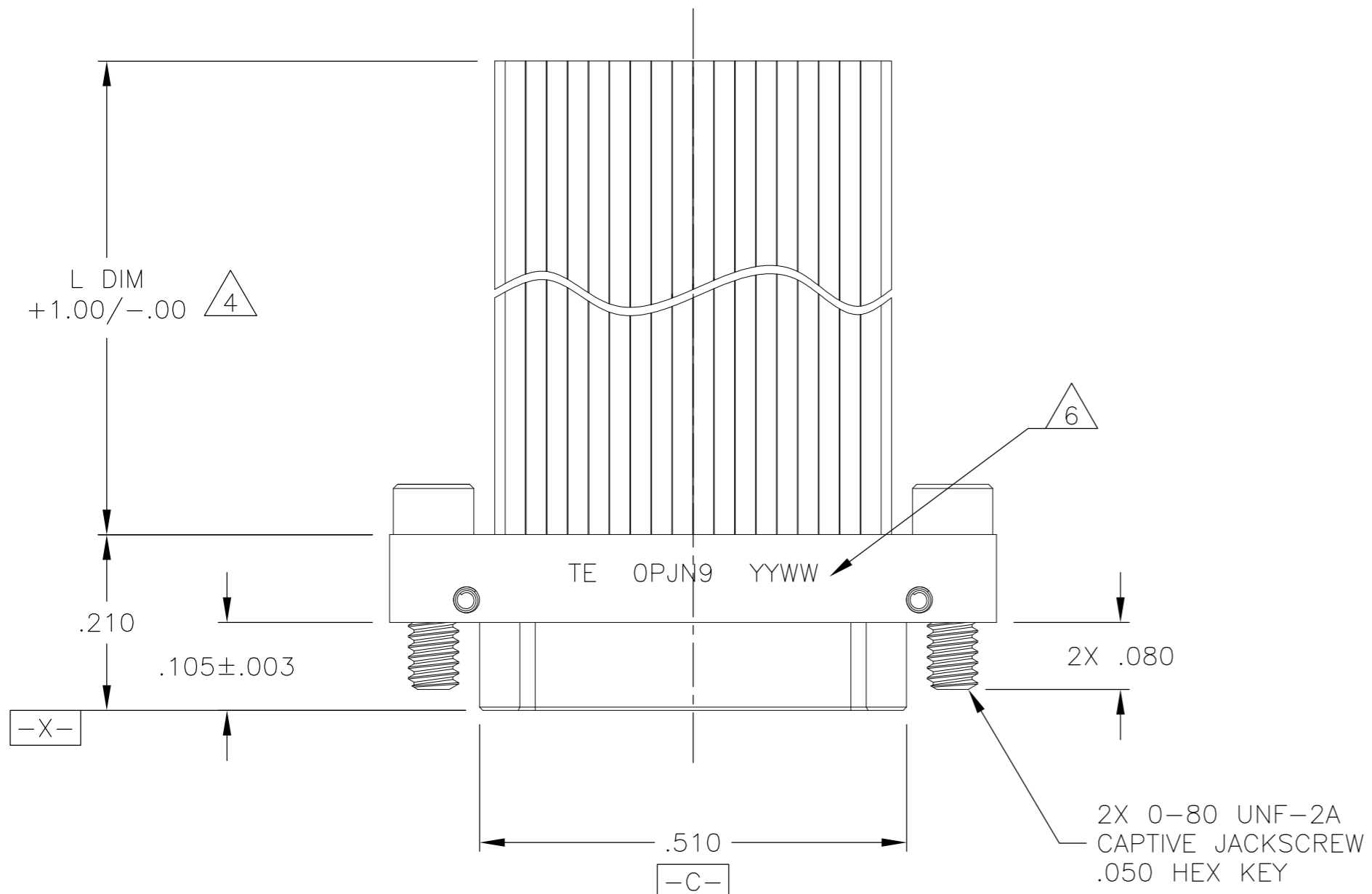


THIS DRAWING IS UNPUBLISHED. RELEASED FOR PUBLICATION  
 © COPYRIGHT - By - ALL RIGHTS RESERVED.

LOC		DIST		REVISIONS			
P	LTR	DESCRIPTION		DATE	DWN	APVD	
B		REV PER ECO 15-007382		5-18-15	CT	RL	



1 ALL DIMENSIONS, MATERIALS, AND FINISHES ARE IN ACCORDANCE WITH MIL-DTL-32139 AND MIL-DTL-32139/3  
 2 SEE SHEET 2 FOR MIL-DTL-32139 PIN (PART IDENTIFYING NUMBER) AND CORRESPONDING TE PART NUMBERS

- 3 INSULATOR SHALL BE FLUSH WITH THE SHELL TO WITHIN ±.004
- 4 WIRE TYPE DEFINED BY MIL-DTL-32139/3
- 5 CONNECTOR SHALL BE MARKED IN ACCORDANCE WITH METHOD I OF MIL-STD-1285. MARKING SHALL CONTAIN THE MILITARY PIN AND POSITION 1 INDICATED BY AN IDENTIFIABLE MARK, LOCATED APPROXIMATELY AS SHOWN ON THE POSITION 1 SIDE OF THE CONNECTOR FLANGE. TEXT HEIGHT SHALL BE .035 INCH MINIMUM.
- 6 CONNECTOR SHALL BE MARKED IN ACCORDANCE WITH METHOD I OF MIL-STD-1285. MARKING SHALL CONTAIN TE, CAGE CODE AND DATE CODE. EXAMPLE: TE OPJN9 YYWW (WHERE YYWW IS THE DATE CODE). TEXT HEIGHT SHALL BE .035 INCH MINIMUM.

THIS DRAWING IS A CONTROLLED DOCUMENT.		DWN	16 AUG 10		TE Connectivity	
DIMENSIONS: INCHES		CHK	16 AUG 10		NAME	
TOLERANCES UNLESS OTHERWISE SPECIFIED:		M STORRY		PRODUCT SPEC		
0 PLC ± -		APVD -		APPLICATION SPEC		
1 PLC ± -		-		WEIGHT -		
2 PLC ± -		-		SIZE A2		
3 PLC ± .005		-		CAGE CODE		
4 PLC ± -		-		DRAWING NO		
ANGLES ± 2°		-		RESTRICTED TO		
MATERIAL SEE NOTES		FINISH SEE NOTES		A2 OPJN9 C=1925219		
-		-		CUSTOMER DRAWING		
-		-		SCALE 6:1 SHEET 1 of 2 REV B		

THIS DRAWING IS UNPUBLISHED. RELEASED FOR PUBLICATION  
 © COPYRIGHT - By - ALL RIGHTS RESERVED.

LOC		DIST		REVISIONS			
P	LTR	DESCRIPTION	DATE	DWN	APVD		
-	-	SEE SHEET 1	-	-	-		

PART NUMBER CROSS REFERENCE			
TE P/N	L DIM	MIL SPEC PIN	NANONICS P/N
1925219-1	6	M32139/03-F01SNS	TMN2N037PC2DX006S
1925219-2	6	M32139/03-F01SSS	TMN2S037PC2DX006S
1925219-3	18	M32139/03-F02SNS	TMN2N037PC2DX018S
1925219-4	18	M32139/03-F02SSS	TMN2S037PC2DX018S
1925219-5	36	M32139/03-F03SNS	TMN2N037PC2DX036S
1925219-6	36	M32139/03-F03SSS	TMN2S037PC2DX036S
1925219-7	6	M32139/03-F04SNS	TMN2N037PC2DM006S
1925219-8	6	M32139/03-F04SSS	TMN2S037PC2DM006S
1925219-9	18	M32139/03-F05SNS	TMN2N037PC2DM018S
1-1925219-0	18	M32139/03-F05SSS	TMN2S037PC2DM018S
1-1925219-1	36	M32139/03-F06SNS	TMN2N037PC2DM036S
1-1925219-2	36	M32139/03-F06SSS	TMN2S037PC2DM036S
1-1925219-3	6	M32139/03-F07SNS	TMN2N037PC2DT006S
1-1925219-4	6	M32139/03-F07SSS	TMN2S037PC2DT006S
1-1925219-5	18	M32139/03-F08SNS	TMN2N037PC2DT018S
1-1925219-6	18	M32139/03-F08SSS	TMN2S037PC2DT018S
1-1925219-7	36	M32139/03-F09SNS	TMN2N037PC2DT036S
1-1925219-8	36	M32139/03-F09SSS	TMN2S037PC2DT036S
1-1925219-9	6	M32139/03-F10SNS	TMN2N037PC2TM006S
2-1925219-0	6	M32139/03-F10SSS	TMN2S037PC2TM006S
2-1925219-1	18	M32139/03-F11SNS	TMN2N037PC2TM018S
2-1925219-2	18	M32139/03-F11SSS	TMN2S037PC2TM018S
2-1925219-3	36	M32139/03-F12SNS	TMN2N037PC2TM036S
2-1925219-4	36	M32139/03-F12SSS	TMN2S037PC2TM036S

2-1925219-5	6	M32139/03-F13SNS	TMN2N037PC2CX006S
2-1925219-6	6	M32139/03-F13SSS	TMN2S037PC2CX006S
2-1925219-7	18	M32139/03-F14SNS	TMN2N037PC2CX018S
2-1925219-8	18	M32139/03-F14SSS	TMN2S037PC2CX018S
2-1925219-9	36	M32139/03-F15SNS	TMN2N037PC2CX036S
3-1925219-0	36	M32139/03-F15SSS	TMN2S037PC2CX036S
3-1925219-1	6	M32139/03-F16SNS	TMN2N037PC2CM006S
3-1925219-2	6	M32139/03-F16SSS	TMN2S037PC2CM006S
3-1925219-3	18	M32139/03-F17SNS	TMN2N037PC2CM018S
3-1925219-4	18	M32139/03-F17SSS	TMN2S037PC2CM018S
3-1925219-5	36	M32139/03-F18SNS	TMN2N037PC2CM036S
3-1925219-6	36	M32139/03-F18SSS	TMN2S037PC2CM036S

**TMN X X XXX XX X XX XXX X**

**CLASS**  
M32139

**ROW**  
2 2 ROW

**FINISH**  
N ELECTROLESS NICKEL  
S STAINLESS STEEL

**POSITION**  
037 37 POSITION

**HARDWARE/THREADS**  
S 0-80 JACKSCREW, CAPTIVATED (PLUGS)

**CONDUCTOR LENGTH**  
006 SIX INCHES  
018 EIGHTEEN INCHES  
036 THIRTY SIX INCHES

**CONDUCTOR TYPE**  
DX WHITE PTFE PER NEMA HP3-ETXBBB9  
DM COLOR CODED PTFE PER MIL-STD-681, SYSTEM 1   
DT WHITE ETFE PER M22759/33-30-9  
TM COLOR CODED ETFE PER MIL-STD-681, SYSTEM 1   
CX WHITE COMPOSITE/PTFE PER DSCC 04047-30A-9  
CM COLOR CODED COMPOSITE/PTFE PER MIL-STD-681, SYSTEM 1

**CONDUCTOR SIZE/STRANDS**  
2 30AWG 7 STRAND

**CONFIGURATION**  
PC PLUG

- THE FINAL 'S' IN THE MIL-SPEC PIN SIGNIFIES THAT THE CONNECTOR IS "SPACE CLASS". OMITTING THIS CHARACTER WILL YIELD THE SAME CORRESPONDING TE AND NANONICS PART NUMBERS.
- THE COLOR CODE SHALL ONLY INCLUDE THE 10 SOLID COLORS IN REPEATING SEQUENCE.
- PRELIMINARY PARTS - NOT RELEASED FOR PRODUCTION

THIS DRAWING IS A CONTROLLED DOCUMENT.		DWN C SCHOLL 16 AUG 10	TE Connectivity	
DIMENSIONS: INCHES		CHK M STORRY 16 AUG 10		
TOLERANCES UNLESS OTHERWISE SPECIFIED:		APVD -	NAME PLUG ASSEMBLY, TWO ROW, FLYING LEADS, PER MIL-DTL-32139/3, SIZE 37	
0 PLC ± - 1 PLC ± - 2 PLC ± - 3 PLC ± - 4 PLC ± - ANGLES ± -		PRODUCT SPEC -	SIZE A2	
MATERIAL -		APPLICATION SPEC -	CAGE CODE 0PJN9	DRAWING NO 1925219
FINISH -		WEIGHT -	RESTRICTED TO -	SCALE 6:1
		CUSTOMER DRAWING	SHEET 2 of 2	REV B

## X-ON Electronics

Largest Supplier of Electrical and Electronic Components

*Click to view similar products for [D-Sub Micro-D Connectors](#) category:*

*Click to view products by [TE Connectivity](#) manufacturer:*

Other Similar products are found below :

[M243082311F](#) [M2430834F](#) [M24308/4-6F](#) [65-1920-15](#) [M83513/01-HN](#) [M83513/03-A10N](#) [M83513/03-B14C](#) [M83513/03-D09C](#) [M83513/03-D11N](#) [M83513/03-G02N](#) [M83513/03-G05N](#) [M83513/03-G08C](#) [M83513/03-G09N](#) [M83513/03-G12N](#) [M83513/03-H13N](#) [M83513/04-E15N](#) [M83513/04-G04C](#) [M83513/10-E01NP](#) [M83513/13-B01NP](#) [M83513/13-C01NN](#) [M83513/16-A01CP](#) [M83513/22-D01NP](#) [M83513/25-B01NP](#) [6R2004A30F015](#) [6R4006A28A120](#) [703006A13F060](#) [704002A03F200](#) [705001A13F120](#) [7-1532020-5](#) [748567-1-P](#) [MDB1-31SH003](#) [MDM-15PBS-L58](#) [MDM-15PCBRM7T](#) [MDM-15PH003B-A174](#) [75-068624-59S](#) [MDM-15PH034B](#) [MDM-15SH001L](#) [MDM-15SH004B](#) [MDM-21PH003K](#) [MDM-25PH003B-A174](#) [MDM-25PHW01F-A174](#) [MDM-37PH006L-A174](#) [MDM-37PH048M5-A174](#) [MDM-37SCBRP-A174](#) [MDM-51PBS-L56](#) [MDM-51PSF](#) [MDM-51SH003M7](#) [MDM-51SSM7-A174](#) [MDM-9PBSP-L58](#) [MDM-9PH003M7](#)