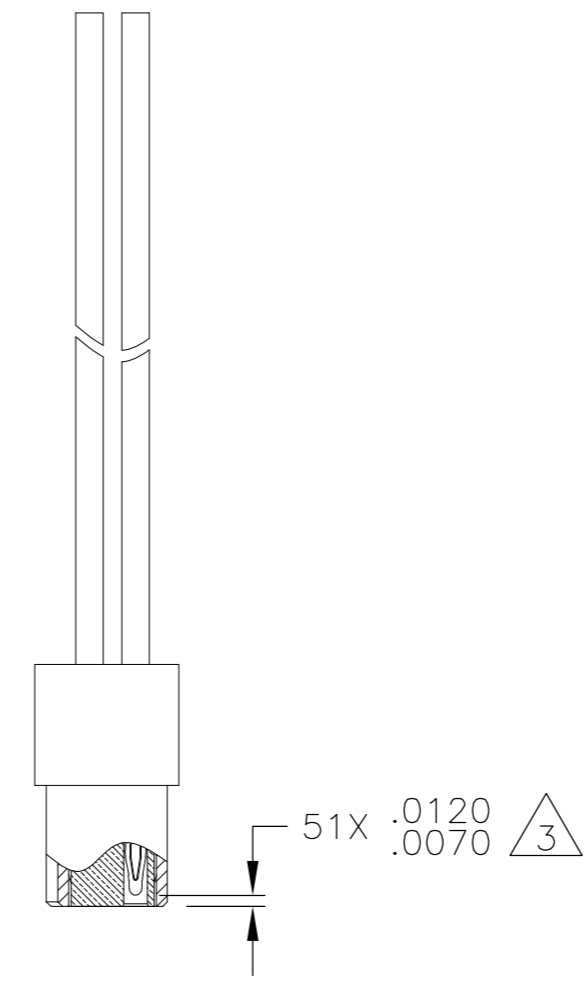
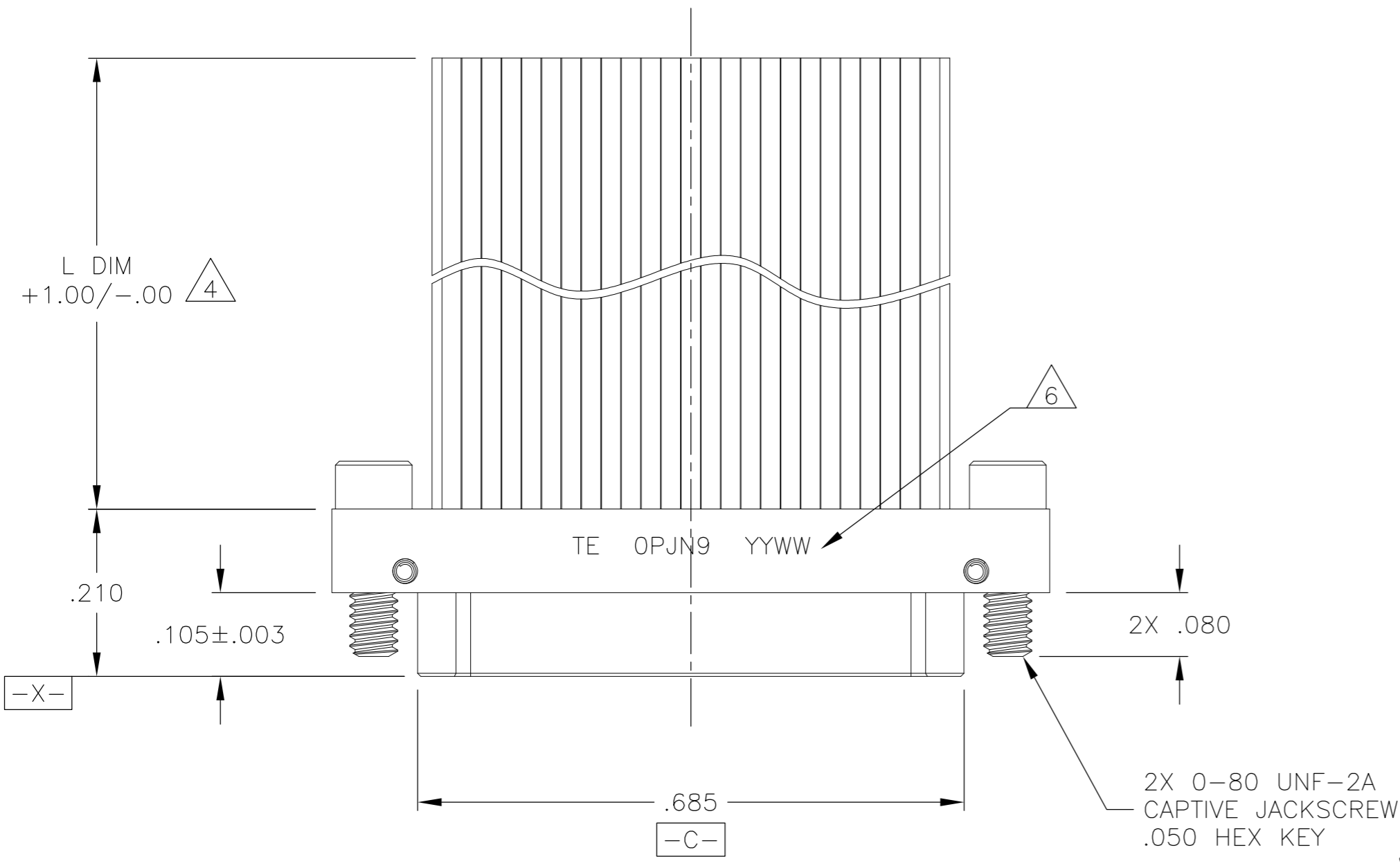
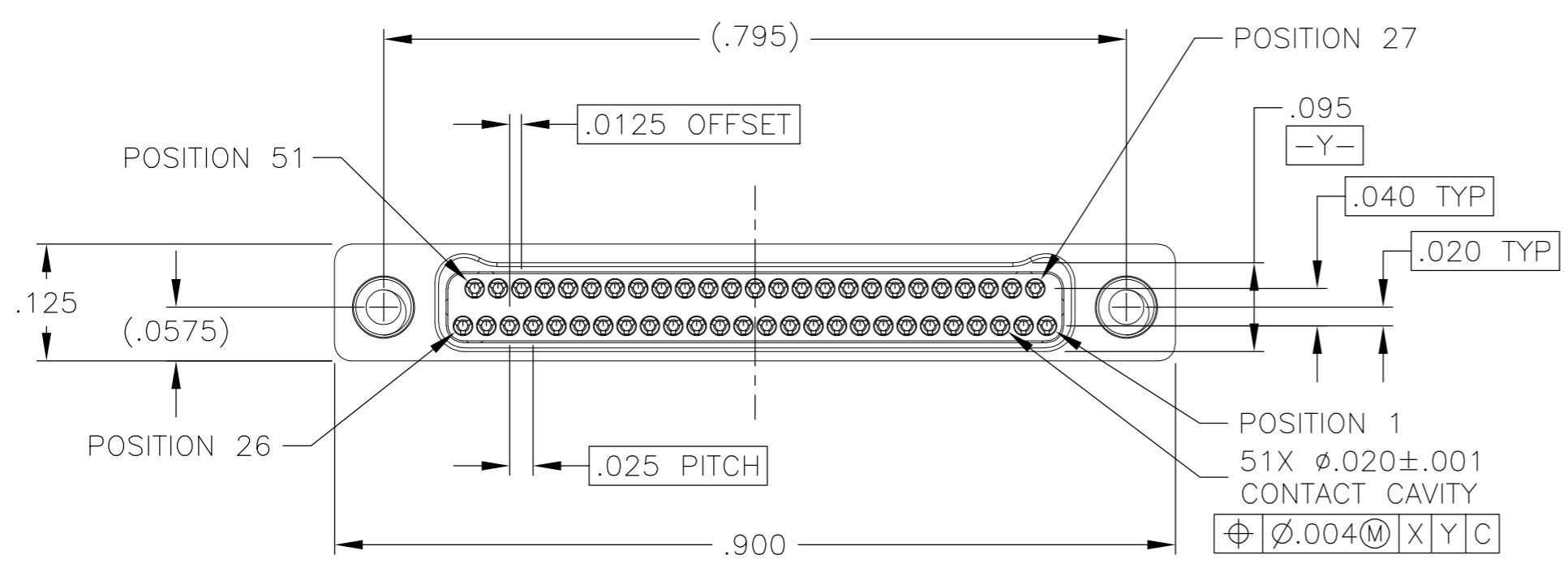
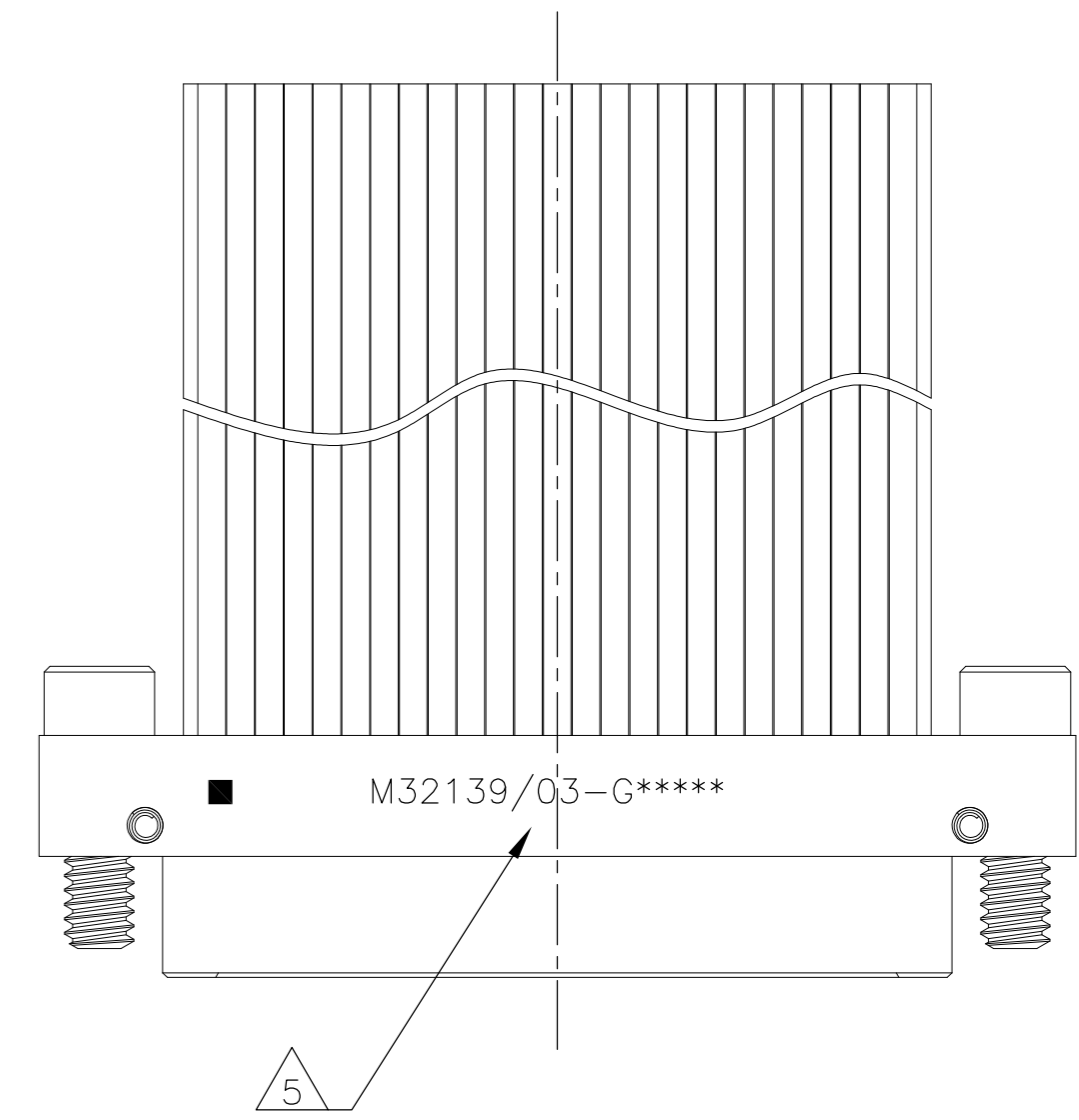


THIS DRAWING IS UNPUBLISHED. RELEASED FOR PUBLICATION
 © COPYRIGHT - By - ALL RIGHTS RESERVED.

| LOC | | DIST | | REVISIONS | | | |
|-----|-----|-----------------------|---------|-----------|------|--|--|
| P | LTR | DESCRIPTION | DATE | DWN | APVD | | |
| B | | REV PER ECO 15-007382 | 5-18-15 | CT | RL | | |



JACKSCREWS OMITTED FOR CLARITY



1 ALL DIMENSIONS, MATERIALS, AND FINISHES ARE IN ACCORDANCE WITH MIL-DTL-32139 AND MIL-DTL-32139/3
 2 SEE SHEET 2 FOR MIL-DTL-32139 PIN (PART IDENTIFYING NUMBER) AND CORRESPONDING TE PART NUMBERS

- 3 INSULATOR SHALL BE FLUSH WITH THE SHELL TO WITHIN ±.004
- 4 WIRE TYPE DEFINED BY MIL-DTL-32139/3
- 5 CONNECTOR SHALL BE MARKED IN ACCORDANCE WITH METHOD I OF MIL-STD-1285. MARKING SHALL CONTAIN THE MILITARY PIN AND POSITION 1 INDICATED BY AN IDENTIFIABLE MARK, LOCATED APPROXIMATELY AS SHOWN ON THE POSITION 1 SIDE OF THE CONNECTOR FLANGE. TEXT HEIGHT SHALL BE .035 INCH MINIMUM.
- 6 CONNECTOR SHALL BE MARKED IN ACCORDANCE WITH METHOD I OF MIL-STD-1285. MARKING SHALL CONTAIN TE, CAGE CODE AND DATE CODE. EXAMPLE: TE OPJN9 YYWW (WHERE YYWW IS THE DATE CODE). TEXT HEIGHT SHALL BE .035 INCH MINIMUM.

| | | | | | |
|--|--|--|-----------|--|--|
| THIS DRAWING IS A CONTROLLED DOCUMENT. | | DWN | 16 AUG 10 | | |
| | | CHK | 16 AUG 10 | | |
| DIMENSIONS: INCHES | | TOLERANCES UNLESS OTHERWISE SPECIFIED: | | NAME | |
| | | 0 PLC | ± - | PLUG ASSEMBLY, TWO ROW, FLYING LEADS, PER MIL-DTL-32139/3, SIZE 51 | |
| | | 1 PLC | ± - | SIZE CAGE CODE DRAWING NO RESTRICTED TO | |
| | | 2 PLC | ± - | A2 OPJN9 C=1925220 | |
| | | 3 PLC | ± .005 | SCALE 6:1 SHEET 1 of 2 REV B | |
| MATERIAL SEE NOTES | | FINISH SEE NOTES | | CUSTOMER DRAWING | |

THIS DRAWING IS UNPUBLISHED. RELEASED FOR PUBLICATION
 © COPYRIGHT - By - ALL RIGHTS RESERVED.

| LOC | | DIST | | REVISIONS | | | |
|-----|-----|-------------|------|-----------|------|--|--|
| P | LTR | DESCRIPTION | DATE | DWN | APVD | | |
| - | - | SEE SHEET 1 | - | - | - | | |

| PART NUMBER CROSS REFERENCE | | | |
|-----------------------------|-------|------------------|-------------------|
| TE P/N | L DIM | MIL SPEC PIN | NANONICS P/N |
| 1925220-1 | 6 | M32139/03-G01SNS | TMN2N051PC2DX006S |
| 1925220-2 | 6 | M32139/03-G01SSS | TMN2S051PC2DX006S |
| 1925220-3 | 18 | M32139/03-G02SNS | TMN2N051PC2DX018S |
| 1925220-4 | 18 | M32139/03-G02SSS | TMN2S051PC2DX018S |
| 1925220-5 | 36 | M32139/03-G03SNS | TMN2N051PC2DX036S |
| 1925220-6 | 36 | M32139/03-G03SSS | TMN2S051PC2DX036S |
| 1925220-7 | 6 | M32139/03-G04SNS | TMN2N051PC2DM006S |
| 1925220-8 | 6 | M32139/03-G04SSS | TMN2S051PC2DM006S |
| 1925220-9 | 18 | M32139/03-G05SNS | TMN2N051PC2DM018S |
| 1-1925220-0 | 18 | M32139/03-G05SSS | TMN2S051PC2DM018S |
| 1-1925220-1 | 36 | M32139/03-G06SNS | TMN2N051PC2DM036S |
| 1-1925220-2 | 36 | M32139/03-G06SSS | TMN2S051PC2DM036S |
| 1-1925220-3 | 6 | M32139/03-G07SNS | TMN2N051PC2DT006S |
| 1-1925220-4 | 6 | M32139/03-G07SSS | TMN2S051PC2DT006S |
| 1-1925220-5 | 18 | M32139/03-G08SNS | TMN2N051PC2DT018S |
| 1-1925220-6 | 18 | M32139/03-G08SSS | TMN2S051PC2DT018S |
| 1-1925220-7 | 36 | M32139/03-G09SNS | TMN2N051PC2DT036S |
| 1-1925220-8 | 36 | M32139/03-G09SSS | TMN2S051PC2DT036S |
| 1-1925220-9 | 6 | M32139/03-G10SNS | TMN2N051PC2TM006S |
| 2-1925220-0 | 6 | M32139/03-G10SSS | TMN2S051PC2TM006S |
| 2-1925220-1 | 18 | M32139/03-G11SNS | TMN2N051PC2TM018S |
| 2-1925220-2 | 18 | M32139/03-G11SSS | TMN2S051PC2TM018S |
| 2-1925220-3 | 36 | M32139/03-G12SNS | TMN2N051PC2TM036S |
| 2-1925220-4 | 36 | M32139/03-G12SSS | TMN2S051PC2TM036S |
| 2-1925220-5 | 6 | M32139/03-G13SNS | TMN2N051PC2CX006S |
| 2-1925220-6 | 6 | M32139/03-G13SSS | TMN2S051PC2CX006S |
| 2-1925220-7 | 18 | M32139/03-G14SNS | TMN2N051PC2CX018S |
| 2-1925220-8 | 18 | M32139/03-G14SSS | TMN2S051PC2CX018S |
| 2-1925220-9 | 36 | M32139/03-G15SNS | TMN2N051PC2CX036S |
| 3-1925220-0 | 36 | M32139/03-G15SSS | TMN2S051PC2CX036S |
| 3-1925220-1 | 6 | M32139/03-G16SNS | TMN2N051PC2CM006S |
| 3-1925220-2 | 6 | M32139/03-G16SSS | TMN2S051PC2CM006S |
| 3-1925220-3 | 18 | M32139/03-G17SNS | TMN2N051PC2CM018S |
| 3-1925220-4 | 18 | M32139/03-G17SSS | TMN2S051PC2CM018S |
| 3-1925220-5 | 36 | M32139/03-G18SNS | TMN2N051PC2CM036S |
| 3-1925220-6 | 36 | M32139/03-G18SSS | TMN2S051PC2CM036S |

TMN X X XXX XX X XX XXX X

CLASS
M32139

ROW
2 2 ROW

FINISH
N ELECTROLESS NICKEL
S STAINLESS STEEL

POSITION
051 51 POSITION

HARDWARE/THREADS
S 0-80 JACKSCREW, CAPTIVATED (PLUGS)

CONDUCTOR LENGTH
006 SIX INCHES
018 EIGHTEEN INCHES
036 THIRTY SIX INCHES

CONDUCTOR TYPE
DX WHITE PTFE PER NEMA HP3-ETXBBB9
DM COLOR CODED PTFE PER MIL-STD-681, SYSTEM 1
DT WHITE ETFE PER M22759/33-30-9
TM COLOR CODED ETFE PER MIL-STD-681, SYSTEM 1
CX WHITE COMPOSITE/PTFE PER DSCC 04047-30A-9
CM COLOR CODED COMPOSITE/PTFE PER MIL-STD-681, SYSTEM 1

CONDUCTOR SIZE/STRANDS
2 30AWG 7 STRAND

CONFIGURATION
PC PLUG

9

- THE FINAL 'S' IN THE MIL-SPEC PIN SIGNIFIES THAT THE CONNECTOR IS "SPACE CLASS". OMITTING THIS CHARACTER WILL YIELD THE SAME CORRESPONDING TE AND NANONICS PART NUMBERS.
- THE COLOR CODE SHALL ONLY INCLUDE THE 10 SOLID COLORS IN REPEATING SEQUENCE.
- PRELIMINARY PARTS - NOT RELEASED FOR PRODUCTION

| | | | | |
|--|--|---------------------------|--|-----------|
| THIS DRAWING IS A CONTROLLED DOCUMENT. | | DWN 16 AUG 10 C SCHOLL | TE Connectivity | |
| DIMENSIONS: INCHES | | CHK 16 AUG 10 M STORRY | | |
| TOLERANCES UNLESS OTHERWISE SPECIFIED: | | APVD - | NAME | |
| 0 PLC ± - | | PRODUCT SPEC - | PLUG ASSEMBLY, TWO ROW, FLYING LEADS, PER MIL-DTL-32139/3, SIZE 51 | |
| 1 PLC ± - | | APPLICATION SPEC - | SIZE | CAGE CODE |
| 2 PLC ± - | | WEIGHT - | A2 | OPJN9 |
| 3 PLC ± - | | CUSTOMER DRAWING | DRAWING NO. 1925220 | |
| 4 PLC ± - | | SCALE 6:1 | SHEET 2 of 2 | |
| ANGLES ± - | | REV B | | |
| FINISH - | | | | |

X-ON Electronics

Largest Supplier of Electrical and Electronic Components

Click to view similar products for [D-Sub Micro-D Connectors](#) category:

Click to view products by [TE Connectivity](#) manufacturer:

Other Similar products are found below :

[M243082311F](#) [M2430834F](#) [M24308/4-6F](#) [65-1920-15](#) [M83513/01-HN](#) [M83513/03-A10N](#) [M83513/03-B14C](#) [M83513/03-D09C](#) [M83513/03-D11N](#) [M83513/03-G02N](#) [M83513/03-G05N](#) [M83513/03-G08C](#) [M83513/03-G09N](#) [M83513/03-G12N](#) [M83513/03-H13N](#) [M83513/04-E15N](#) [M83513/04-G04C](#) [M83513/10-E01NP](#) [M83513/13-B01NP](#) [M83513/13-C01NN](#) [M83513/16-A01CP](#) [M83513/22-D01NP](#) [M83513/25-B01NP](#) [6R2004A30F015](#) [6R4006A28A120](#) [703006A13F060](#) [704002A03F200](#) [705001A13F120](#) [7-1532020-5](#) [748567-1-P](#) [MDB1-31SH003](#) [MDM-15PBS-L58](#) [MDM-15PCBRM7T](#) [MDM-15PH003B-A174](#) [75-068624-59S](#) [MDM-15PH034B](#) [MDM-15SH001L](#) [MDM-15SH004B](#) [MDM-21PH003K](#) [MDM-25PH003B-A174](#) [MDM-25PHW01F-A174](#) [MDM-37PH006L-A174](#) [MDM-37PH048M5-A174](#) [MDM-37SCBRP-A174](#) [MDM-51PBS-L56](#) [MDM-51PSF](#) [MDM-51SH003M7](#) [MDM-51SSM7-A174](#) [MDM-9PBSP-L58](#) [MDM-9PH003M7](#)