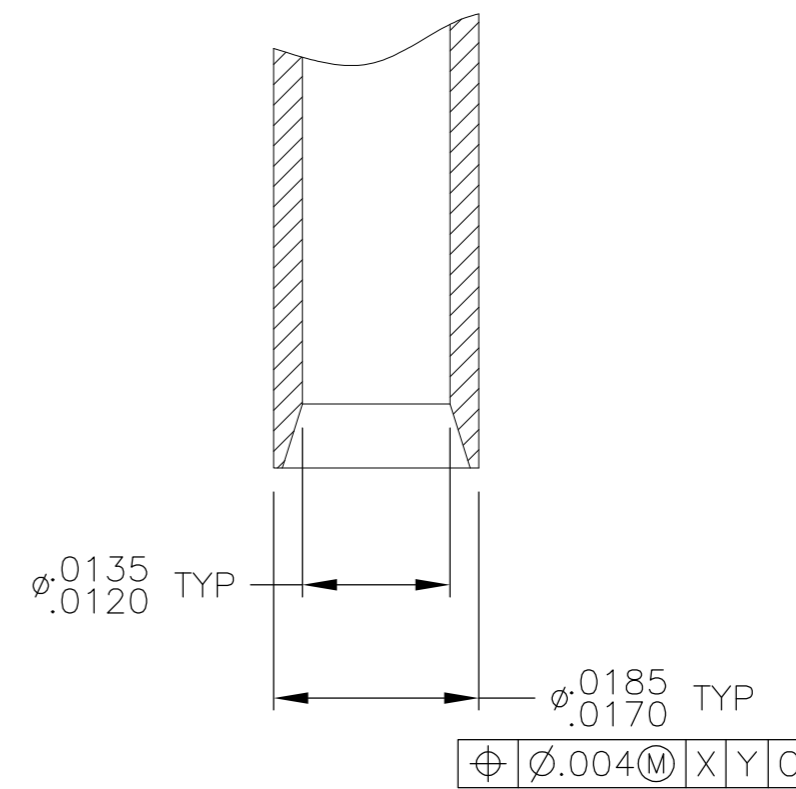
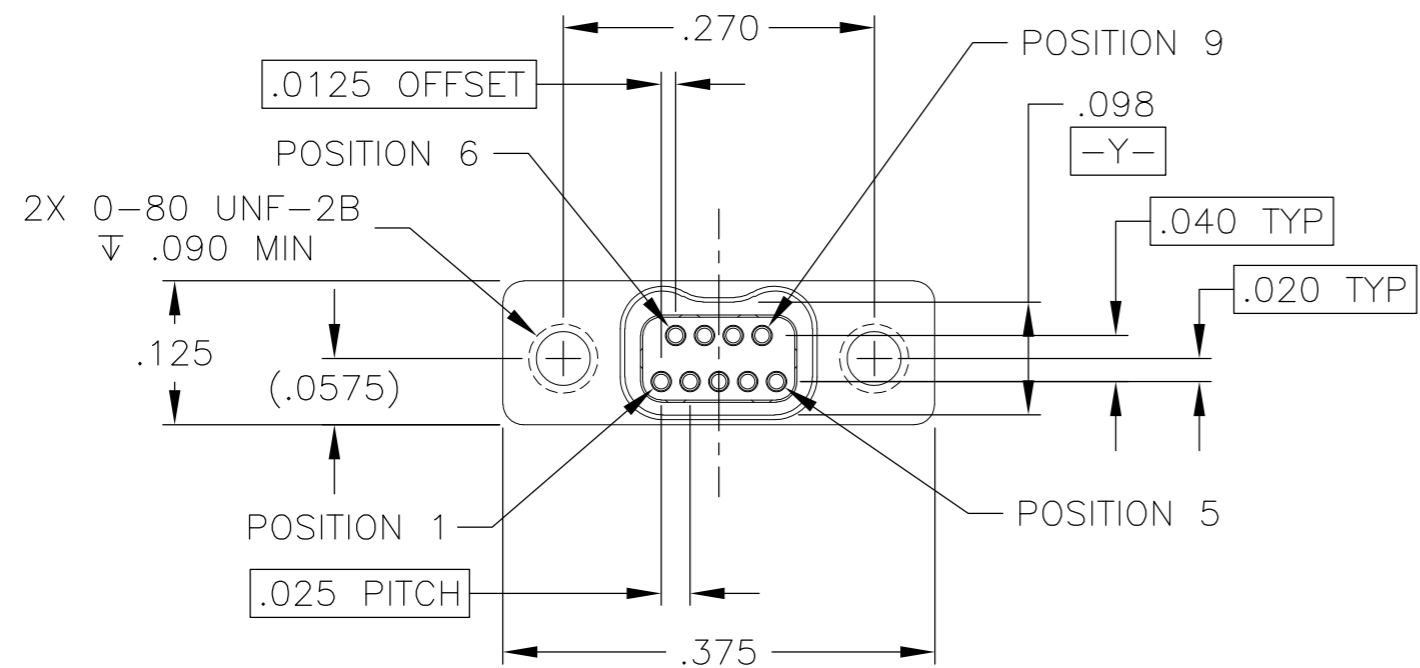
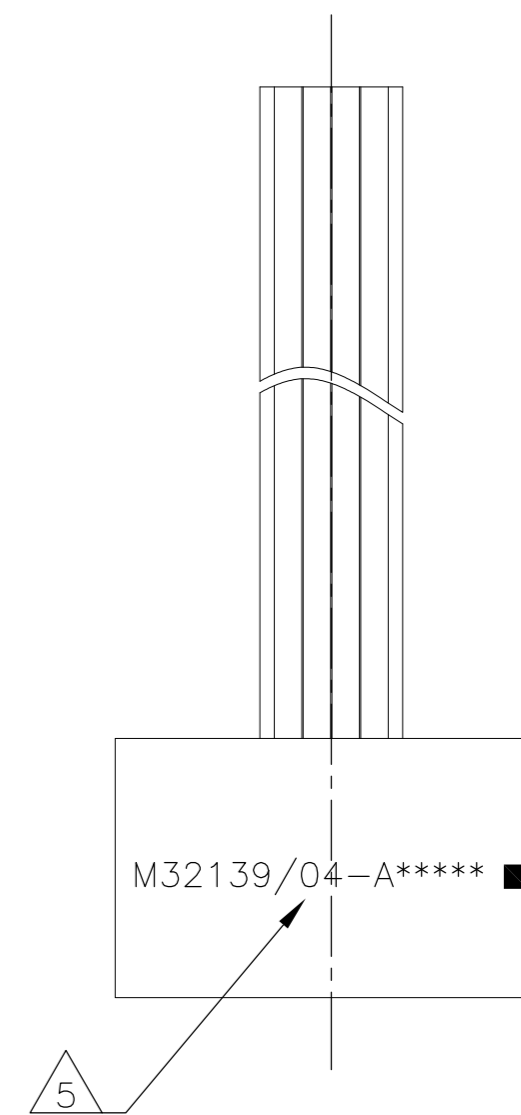
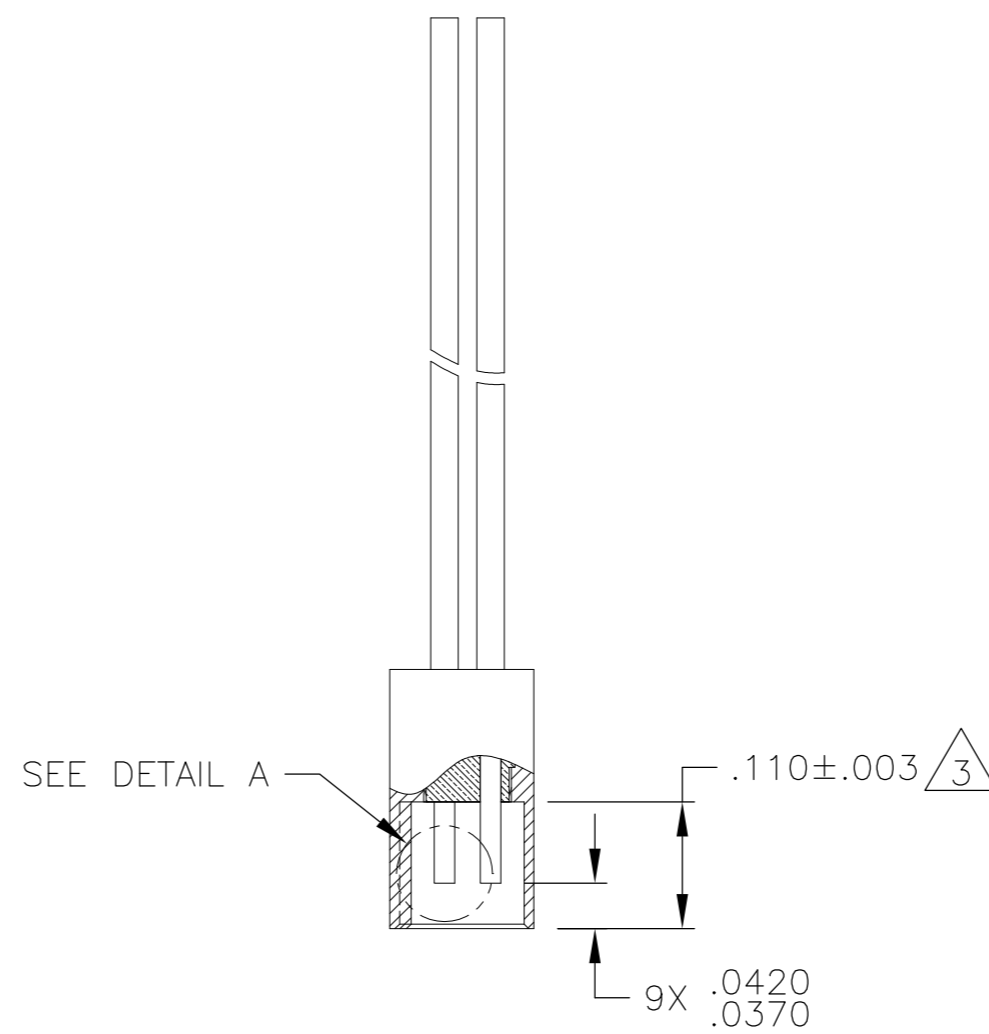
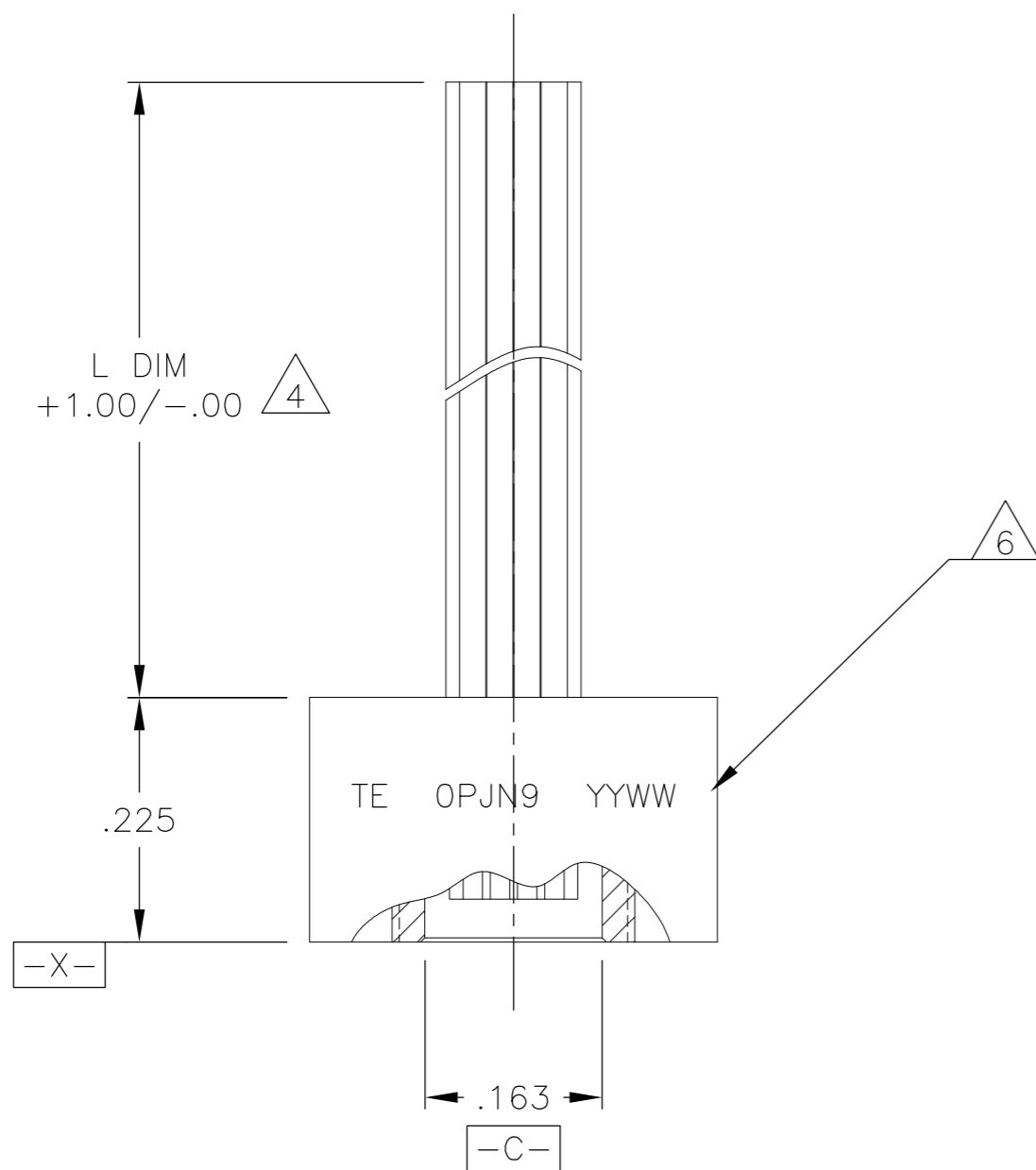


THIS DRAWING IS UNPUBLISHED. RELEASED FOR PUBLICATION
 © COPYRIGHT - By - ALL RIGHTS RESERVED.

LOC		DIST		REVISIONS			
P	LTR	DESCRIPTION		DATE	DWN	APVD	
B		REV PER ECO 15-007382		5-18-15	CT	RL	



- 1 ALL DIMENSIONS, MATERIALS, AND FINISHES ARE IN ACCORDANCE WITH MIL-DTL-32139 AND MIL-DTL-32139/4
- 2 SEE SHEET 2 FOR MIL-DTL-32139 PIN (PART IDENTIFYING NUMBER) AND CORRESPONDING TE PART NUMBERS

- 3 INSULATOR SHALL BE FLUSH WITH THE SHELL TO WITHIN ±.004
- 4 WIRE TYPE DEFINED BY MIL-DTL-32139/4
- 5 CONNECTOR SHALL BE MARKED IN ACCORDANCE WITH METHOD 1 OF MIL-STD-1285. MARKING SHALL CONTAIN THE MILITARY PIN AND POSITION 1 INDICATED BY AN IDENTIFIABLE MARK, LOCATED APPROXIMATELY AS SHOWN ON THE POSITION 1 SIDE OF THE CONNECTOR FLANGE. TEXT HEIGHT SHALL BE .035 INCH MINIMUM.
- 6 CONNECTOR SHALL BE MARKED IN ACCORDANCE WITH METHOD 1 OF MIL-STD-1285. MARKING SHALL CONTAIN TE, CAGE CODE AND DATE CODE. EXAMPLE: TE OPJN9 YYWW (WHERE YYWW IS THE DATE CODE). TEXT HEIGHT SHALL BE .035 INCH MINIMUM.

THIS DRAWING IS A CONTROLLED DOCUMENT.		DWN C SCHOLL 16 AUG 10	TE Connectivity	
DIMENSIONS: INCHES		CHK M STORRY 16 AUG 10		
TOLERANCES UNLESS OTHERWISE SPECIFIED:		APVD -	NAME RECEPTACLE ASSEMBLY, TWO ROW, FLYING LEADS, PER MIL-DTL-32139/4, SIZE 9	
0 PLC ± -		PRODUCT SPEC -	SIZE A2	
1 PLC ± -		APPLICATION SPEC -	CAGE CODE OPJN9	
2 PLC ± -		WEIGHT -	DRAWING NO 1925221	
3 PLC ± .005		CUSTOMER DRAWING	RESTRICTED TO -	
4 PLC ± -		SCALE 6:1	SHEET 1 of 2	
ANGLES ± 2°			REV B	
MATERIAL SEE NOTES	FINISH SEE NOTES			

THIS DRAWING IS UNPUBLISHED. RELEASED FOR PUBLICATION
 © COPYRIGHT - By - ALL RIGHTS RESERVED.

LOC		DIST		REVISIONS			
P	LTR	DESCRIPTION	DATE	DWN	APVD		
-	-	SEE SHEET 1	-	-	-		

PART NUMBER CROSS REFERENCE			
TE P/N	L DIM	MIL SPEC PIN	NANONICS P/N
1925221-1	6	M32139/04-A01TNS	TMN2N009SC2DX006T
1925221-2	6	M32139/04-A01TSS	TMN2S009SC2DX006T
1925221-3	18	M32139/04-A02TNS	TMN2N009SC2DX018T
1925221-4	18	M32139/04-A02TSS	TMN2S009SC2DX018T
1925221-5	36	M32139/04-A03TNS	TMN2N009SC2DX036T
1925221-6	36	M32139/04-A03TSS	TMN2S009SC2DX036T
1925221-7	6	M32139/04-A04TNS	TMN2N009SC2DM006T
1925221-8	6	M32139/04-A04TSS	TMN2S009SC2DM006T
1925221-9	18	M32139/04-A05TNS	TMN2N009SC2DM018T
1-1925221-0	18	M32139/04-A05TSS	TMN2S009SC2DM018T
1-1925221-1	36	M32139/04-A06TNS	TMN2N009SC2DM036T
1-1925221-2	36	M32139/04-A06TSS	TMN2S009SC2DM036T
1-1925221-3	6	M32139/04-A07TNS	TMN2N009SC2DT006T
1-1925221-4	6	M32139/04-A07TSS	TMN2S009SC2DT006T
1-1925221-5	18	M32139/04-A08TNS	TMN2N009SC2DT018T
1-1925221-6	18	M32139/04-A08TSS	TMN2S009SC2DT018T
1-1925221-7	36	M32139/04-A09TNS	TMN2N009SC2DT036T
1-1925221-8	36	M32139/04-A09TSS	TMN2S009SC2DT036T
1-1925221-9	6	M32139/04-A10TNS	TMN2N009SC2TM006T
2-1925221-0	6	M32139/04-A10TSS	TMN2S009SC2TM006T
2-1925221-1	18	M32139/04-A11TNS	TMN2N009SC2TM018T
2-1925221-2	18	M32139/04-A11TSS	TMN2S009SC2TM018T
2-1925221-3	36	M32139/04-A12TNS	TMN2N009SC2TM036T
2-1925221-4	36	M32139/04-A12TSS	TMN2S009SC2TM036T

2-1925221-5	6	M32139/04-A13TNS	TMN2N009SC2CX006T
2-1925221-6	6	M32139/04-A13TSS	TMN2S009SC2CX006T
2-1925221-7	18	M32139/04-A14TNS	TMN2N009SC2CX018T
2-1925221-8	18	M32139/04-A14TSS	TMN2S009SC2CX018T
2-1925221-9	36	M32139/04-A15TNS	TMN2N009SC2CX036T
3-1925221-0	36	M32139/04-A15TSS	TMN2S009SC2CX036T
3-1925221-1	6	M32139/04-A16TNS	TMN2N009SC2CM006T
3-1925221-2	6	M32139/04-A16TSS	TMN2S009SC2CM006T
3-1925221-3	18	M32139/04-A17TNS	TMN2N009SC2CM018T
3-1925221-4	18	M32139/04-A17TSS	TMN2S009SC2CM018T
3-1925221-5	36	M32139/04-A18TNS	TMN2N009SC2CM036T
3-1925221-6	36	M32139/04-A18TSS	TMN2S009SC2CM036T

TMN X X XXX XX X XX XXX X

CLASS
M32139

ROW
2 2 ROW

FINISH
N ELECTROLESS NICKEL
S STAINLESS STEEL

POSITION
009 09 POSITION

HARDWARE/THREADS
T 0-80 THREADS (RECEPTACLES)

CONDUCTOR LENGTH
006 SIX INCHES
018 EIGHTEEN INCHES
036 THIRTY SIX INCHES

CONDUCTOR TYPE
DX WHITE PTFE PER NEMA HP3-ETXBBB9
DM COLOR CODED PTFE PER MIL-STD-681, SYSTEM 1
DT WHITE ETFE PER M22759/33-30-9
TM COLOR CODED ETFE PER MIL-STD-681, SYSTEM 1
CX WHITE COMPOSITE/PTFE PER DSCC 04047-30A-9
CM COLOR CODED COMPOSITE/PTFE PER MIL-STD-681, SYSTEM 1

CONDUCTOR SIZE/STRANDS
2 30AWG 7 STRAND

CONFIGURATION
SC RECEPTACLE

- THE FINAL 'S' IN THE MIL-SPEC PIN SIGNIFIES THAT THE CONNECTOR IS "SPACE CLASS". OMITTING THIS CHARACTER WILL YIELD THE SAME CORRESPONDING TE AND NANONICS PART NUMBERS.
- THE COLOR CODE SHALL ONLY INCLUDE THE 10 SOLID COLORS IN REPEATING SEQUENCE.
- PRELIMINARY PARTS - NOT RELEASED FOR PRODUCTION

THIS DRAWING IS A CONTROLLED DOCUMENT.		DWN C SCHOLL 16 AUG 10	TE Connectivity	
DIMENSIONS: INCHES		CHK M STORRY 16 AUG 10		
TOLERANCES UNLESS OTHERWISE SPECIFIED: 0 PLC ± - 1 PLC ± - 2 PLC ± - 3 PLC ± - 4 PLC ± - ANGLES ± 2°		APVD -	NAME RECEPTACLE ASSEMBLY, TWO ROW, FLYING LEADS, PER MIL-DTL-32139/4, SIZE 9	
MATERIAL -		FINISH -	PRODUCT SPEC -	APPLICATION SPEC -
		WEIGHT -	SIZE A2	CAGE CODE 0PJN9
		CUSTOMER DRAWING	DRAWING NO 1925221	RESTRICTED TO -
		SCALE 6:1	SHEET 2 of 2	REV B

X-ON Electronics

Largest Supplier of Electrical and Electronic Components

Click to view similar products for [D-Sub Micro-D Connectors](#) category:

Click to view products by [TE Connectivity](#) manufacturer:

Other Similar products are found below :

[003626](#) [025-1227-000](#) [0685610016](#) [0688014147](#) [0688014227](#) [07190-SP036](#) [0745461602](#) [0751341000](#) [0795762102](#) [0797580009](#)
[0834249014](#) [0836129020](#) [0836129024](#) [0836199011](#) [0887329200](#) [0897613412](#) [0923150410](#) [0923150615](#) [0923151609](#) [0923171036](#) [094-](#)
[0116-2007](#) [094-6135-0000](#) [094-6136-0000](#) [094-6235-0000](#) [094-6335-0000](#) [094-6435-0000](#) [094-6535-0000](#) [094-6635-0000](#) [094-6636-0000](#)
[094-6735-0000](#) [094-6935-0000](#) [094-6936-0000](#) [095-0605-2053](#) [095-0607-2055](#) [095479-0007](#) [095480-0011](#) [096510-0306](#) [09651226803](#)
[096513-0002](#) [096516-0222](#) [098-9027-0029](#) [10090930-P150ALF](#) [100RC21SCBR1](#) [100RC31SCBRP2](#) [100RC37PC6P1](#) [100RN31P-C6PT2](#)
[10114-3000PE](#) [10114-6000EC](#) [10114-6000EL](#) [10120-3000PE](#)