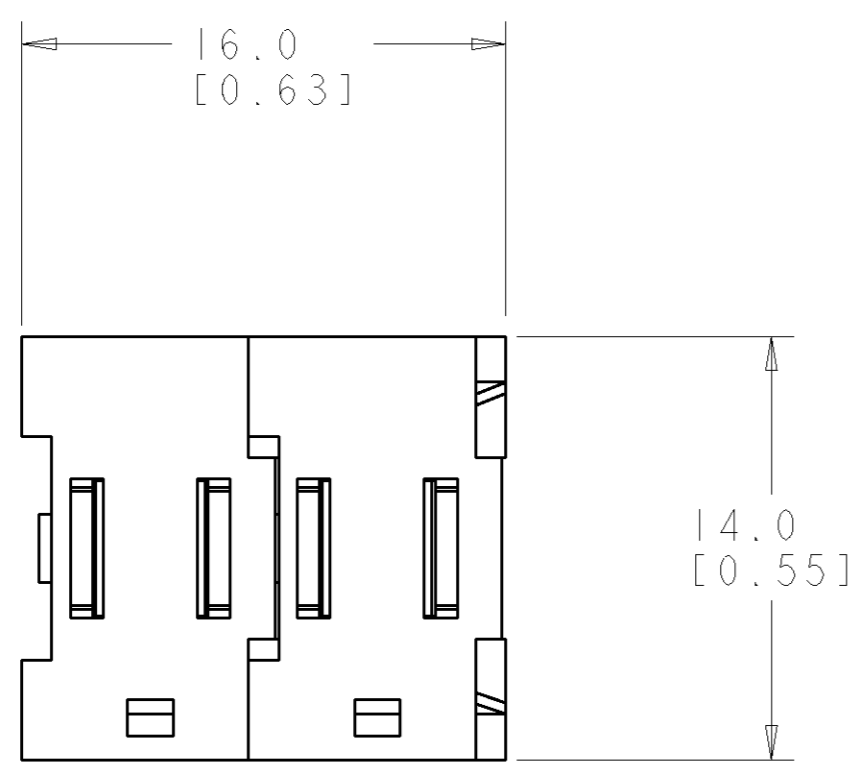


THIS DRAWING IS UNPUBLISHED. RELEASED FOR PUBLICATION 20
 © COPYRIGHT 20 BY TYCO ELECTRONICS CORPORATION. ALL RIGHTS RESERVED.

LOC	DIST	REVISIONS					
GP	00	P	LTR	DESCRIPTION	DATE	DWN	APVD
		A		RELEASED	08JUN06	RG	SF
		B		REV PER ECO-06-025728	02NOV2006	RG	PD



- PART NUMBER CHANGES AND OR DESIGN CHANGES AFFECTING ITEM INTERCHANGEABILITY REQUIRE PRIOR TYCO APPROVAL AND AUTHORIZATION BY REVISION TO THIS DRAWING.
- MATERIAL:
 INSULATORS - THERMOPLASTIC, GLASS REINFORCED, COLOR: BLACK
 UL94V-0 FLAMMABILITY RATED.
 POWER CONTACTS - PHOSPHOR BRONZE ALLOY,
 COPPER ALLOY
 CROWN BANDS - BERYLLIUM COPPER ALLOY
- FINISH:
 CONTACTS - GOLD PLATE .000030 MIN THK.
 .OVER NICKEL .000050 MIN THK.
 SOLDER TAILS TIN PLATE .000120 INCH MIN. THK.
 OVER NICKEL .000050 MIN THK.

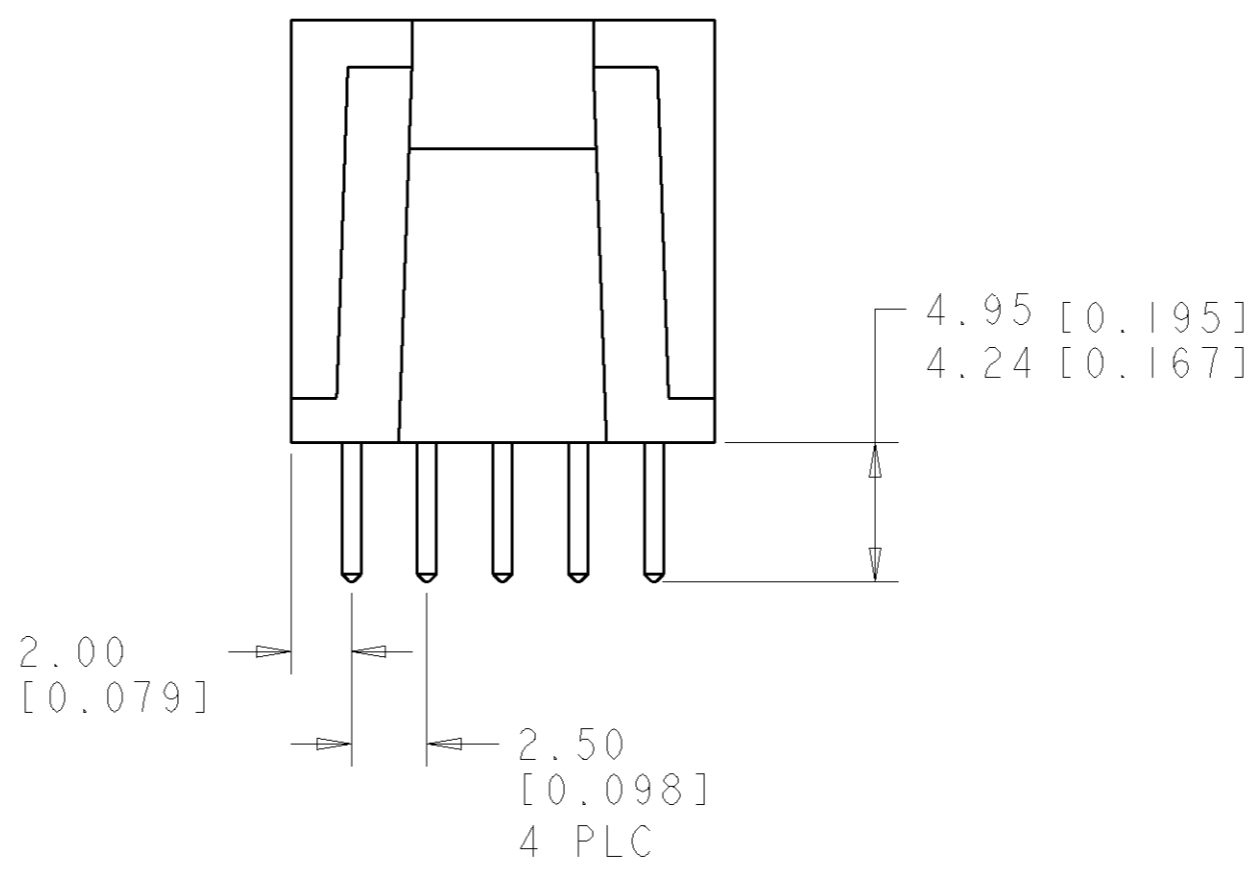
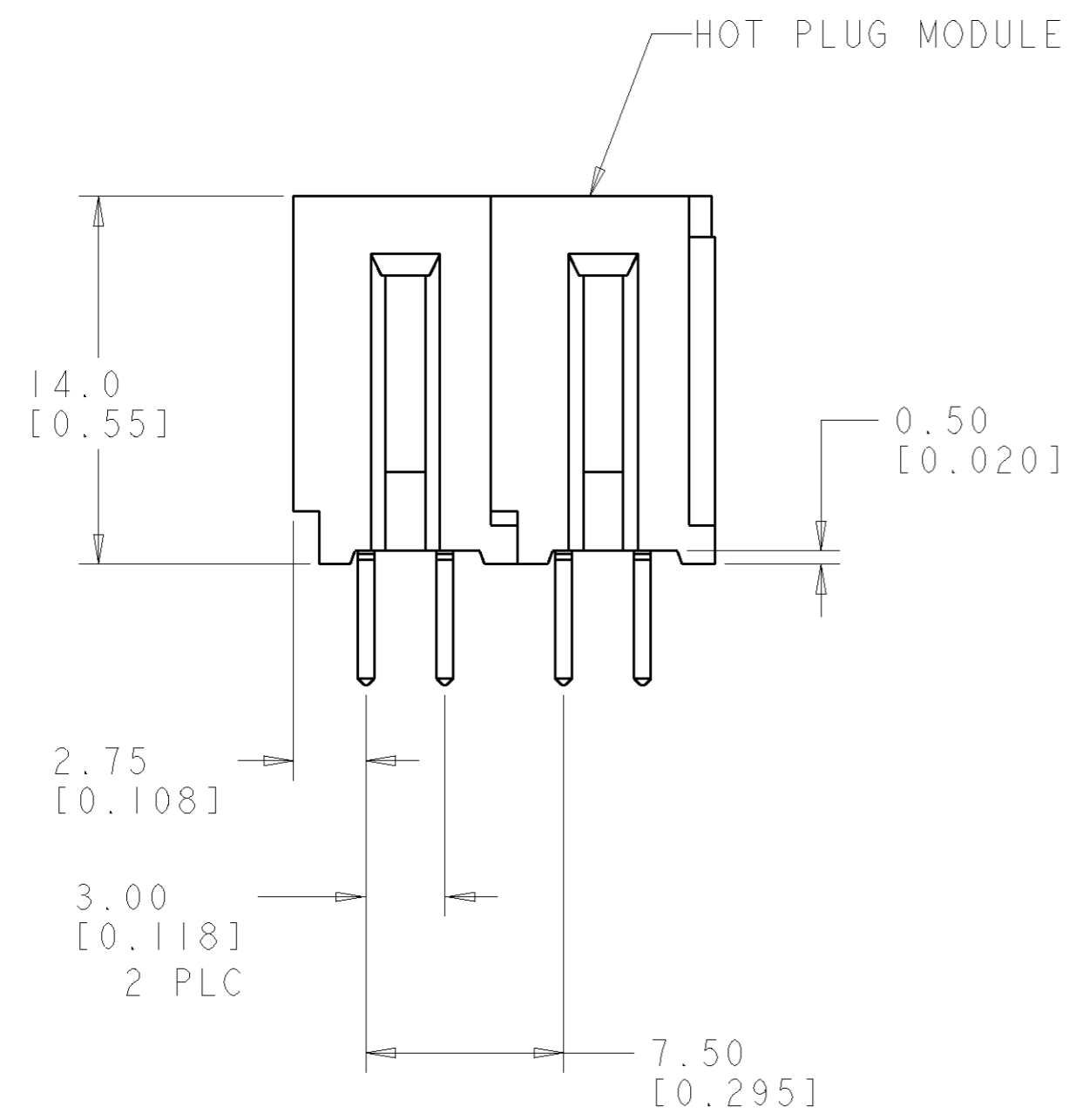
4. ITEMS PROVIDED TO THIS SPECIFICATION TO BE IDENTIFIED ON THE CONTAINER PER THE FOLLOWING IDENTIFIER LABEL

YEAR WEEK

TYCO PART NO. DATE CODE (e.g. 0106)

XXXXXXX-X XXXX

5. MATES WITH TYCO P/N 1926016-1



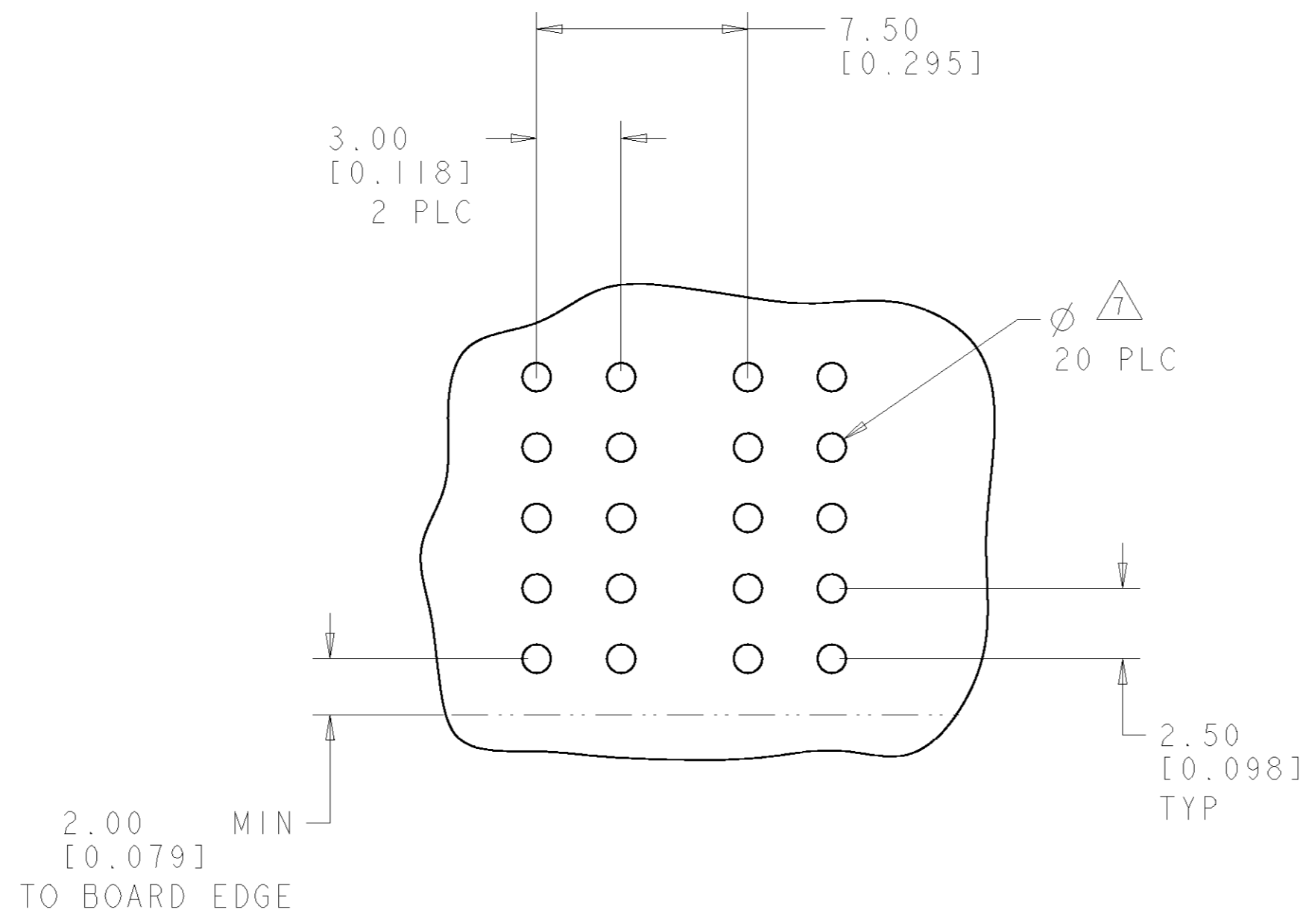
AS SHOWN	1926015-1
DESCRIPTION	PART NUMBER

THIS DRAWING IS A CONTROLLED DOCUMENT FOR TYCO ELECTRONICS CORPORATION. IT IS SUBJECT TO CHANGE AND THE CONTROLLING ENGINEERING ORGANIZATION SHOULD BE CONTACTED FOR THE LATEST REVISION.		DWN R. GRZYBOWSKI 08JUN06	tyco Electronics Tyco Electronics Harrisburg, PA 17105-3608	
DIMENSIONS: mm [INCHES]		CHK S. FLICKINGER 08JUN06	NAME RIGHT ANGLE SOCKET CONN., HOT PLUG SOLDER TAILS	
TOLERANCES UNLESS OTHERWISE SPECIFIED: 0 PLC ±.5 1 PLC ±.25 2 PLC ±.25 3 PLC ±0.001 4 PLC ±0.0001 ANGLES ±.5		APVD S. FLICKINGER 08JUN06	PRODUCT SPEC -	
MATERIAL		APPLICATION SPEC -		SIZE A200779
FINISH		WEIGHT -		DRAWING NO. 1926015
-		CUSTOMER DRAWING		RESTRICTED TO -
		SCALE 4:1		SHEET 1 OF 3 REV B

ELCON FLATPAQ

THIS DRAWING IS UNPUBLISHED. RELEASED FOR PUBLICATION 20
 © COPYRIGHT 20 BY TYCO ELECTRONICS CORPORATION. ALL RIGHTS RESERVED.

LOC	DIST	REVISIONS					
GP	00	P	LTR	DESCRIPTION	DATE	DWN	APVD
		-		SEE SHEET 1	-	-	-



PRINTED CIRCUIT LAYOUT
SCALE 5:1

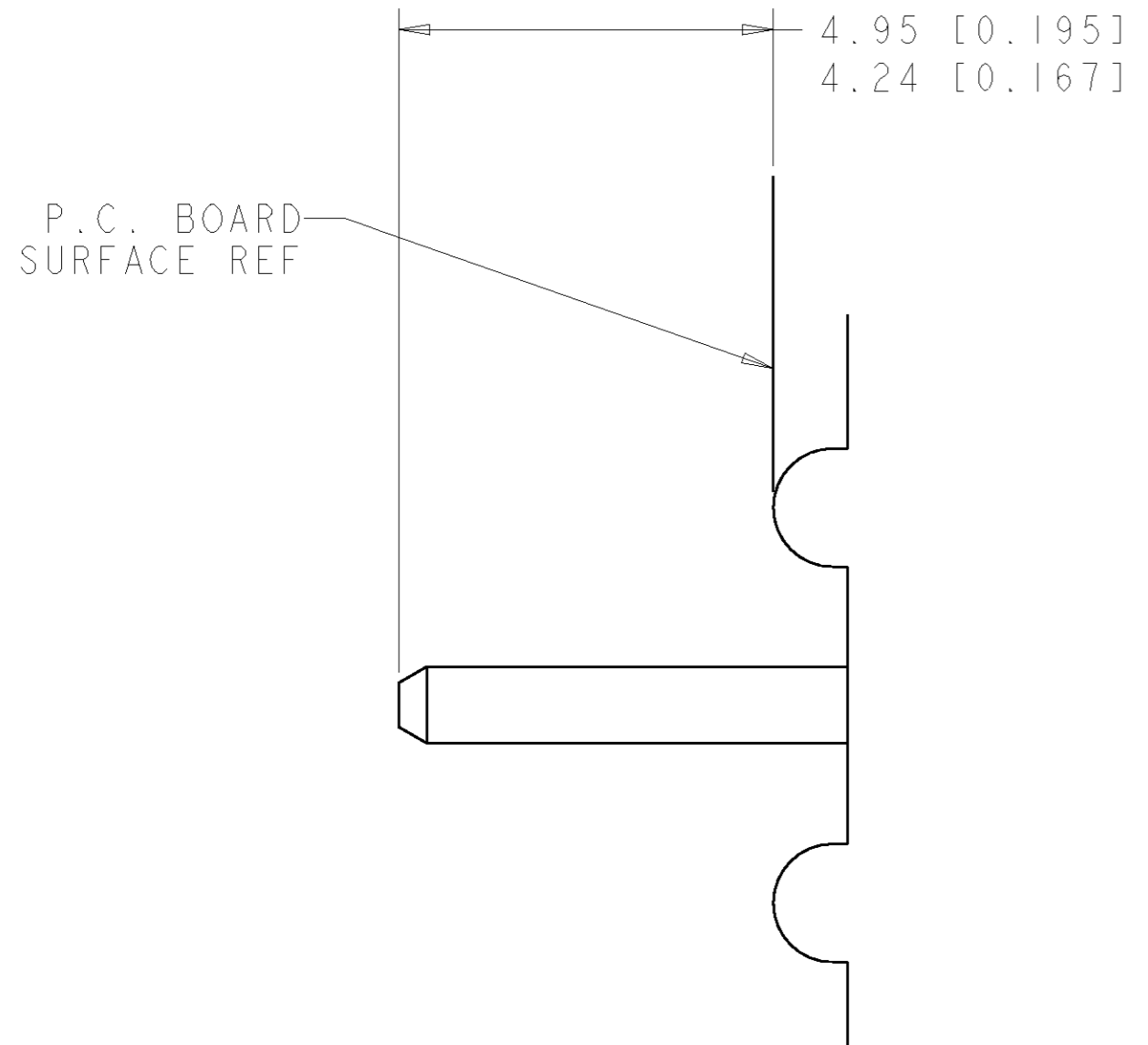
CONNECTOR	CATALOG MODULE #	QTY	SIZE NO.	CONTACT QTY	MATING PIN	MAX. CURRENT (PER CONTACT)	CONTACT SPACING	VOLTAGE RATING
SOCKET	FPI04	2	8	2	1.25 X 7.00 [.049 X .276]	35 amps	7.50 [0.2953]	250

THIS DRAWING IS A CONTROLLED DOCUMENT FOR TYCO ELECTRONICS CORPORATION. IT IS SUBJECT TO CHANGE AND THE CONTROLLING ENGINEERING ORGANIZATION SHOULD BE CONTACTED FOR THE LATEST REVISION.

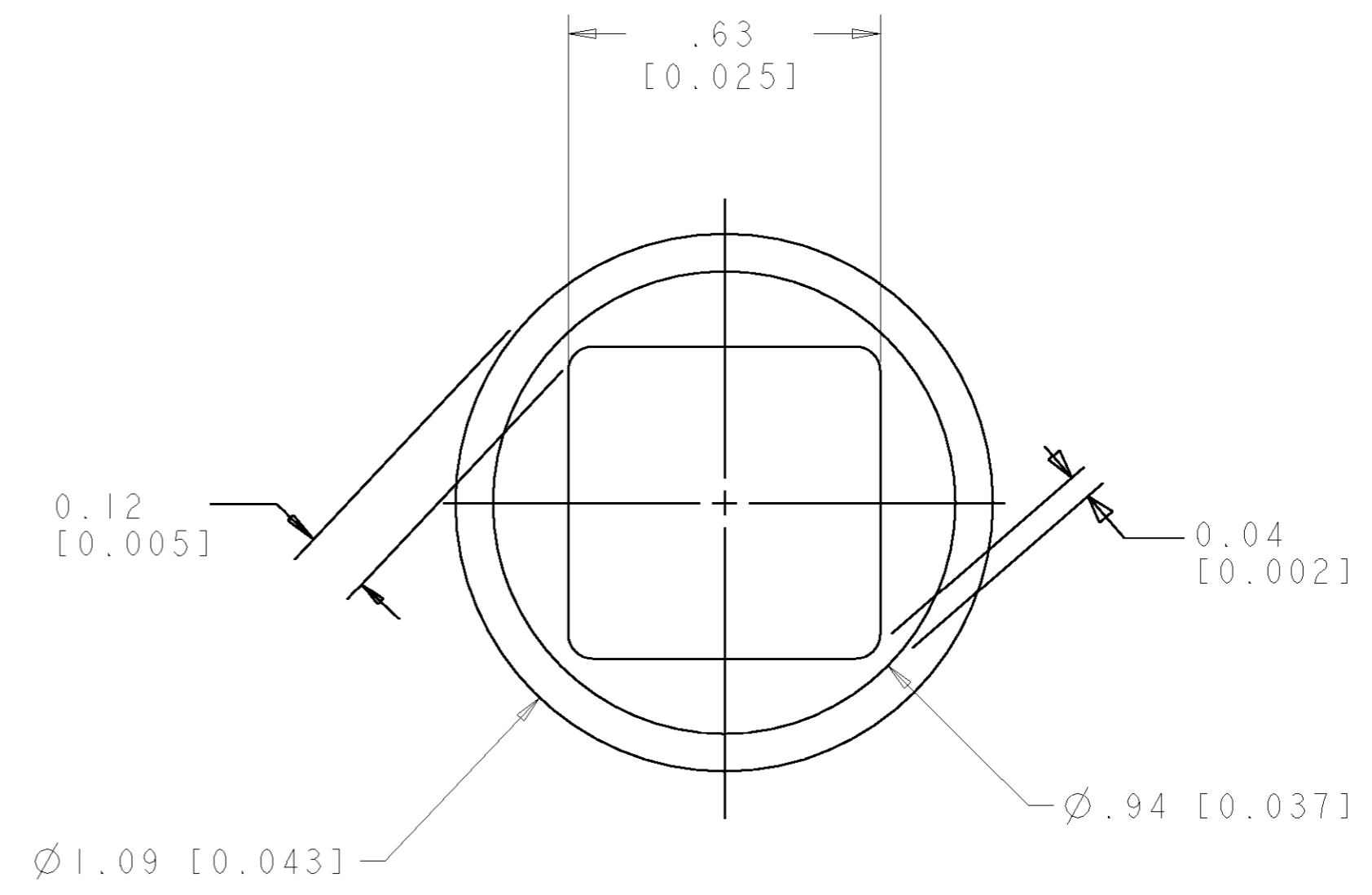
DWN R. GRZYBOWSKI 08 JUN 06	Tyco Electronics Harrisburg, PA 17105-3608
CHK P. DAMATO 08 JUN 06	
APVD S. FLICKINGER 08 JUN 06	
NAME: RIGHT ANGLE SOCKET CONN., HOT PLUG SOLDER TAILS	
DIMENSIONS: mm [INCHES] TOLERANCES UNLESS OTHERWISE SPECIFIED: 0 PLC ±.5 1 PLC ±.5 2 PLC ±.25 3 PLC ±0.001 4 PLC ±0.0001 ANGLES ±.5 FINISH	
MATERIAL: - WEIGHT: - CUSTOMER DRAWING	
SIZE: A200779 CAGE CODE: C-1926015 DRAWING NO: - RESTRICTED TO: - SCALE: 4:1 SHEET 2 OF 3 REV B	

THIS DRAWING IS UNPUBLISHED. RELEASED FOR PUBLICATION 20
 © COPYRIGHT 20 BY TYCO ELECTRONICS CORPORATION. ALL RIGHTS RESERVED.

LOC	DIST	REVISIONS			
P	LTR	DESCRIPTION	DATE	DWN	APVD
GP	00	-	SEE SHEET 1	-	-



6. SOLDER TAIL DETAIL
SCALE 10 : 1



7 SOLDER TERMINATION AREA
SCALE 40:1
 RECOMMENDED PRINTED CIRCUIT SOLDER HOLE
 FINISHED HOLE: Ø1.02 [.040] ±.08 [.003]
 DRILLED HOLE: Ø1.15 [.0453] ±.013 [.0005]
 COPPER PLATE: .025 [.0010] MIN (PER SURFACE)
 TIN PLATE: .008 [.0003] MIN. (PER SURFACE)

THIS DRAWING IS A CONTROLLED DOCUMENT FOR TYCO ELECTRONICS CORPORATION IT IS SUBJECT TO CHANGE AND THE CONTROLLING ENGINEERING ORGANIZATION SHOULD BE CONTACTED FOR THE LATEST REVISION.		DWN R. GRZYBOWSKI 08 JUN 06	tyco Tyco Electronics Harrisburg, PA 17105-3608	
DIMENSIONS: mm [INCHES]		CHK S. FLICKINGER 08 JUN 06	NAME RIGHT ANGLE SOCKET CONN., HOT PLUG	
TOLERANCES UNLESS OTHERWISE SPECIFIED: 0 PLC ±.5 1 PLC ±.5 2 PLC ±.25 3 PLC ±0.001 4 PLC ±0.0001 ANGLES ±.5		APVD S. FLICKINGER 08 JUN 06	PRODUCT SPEC -	
MATERIAL -		APPLICATION SPEC -	SIZE A200779	CAGE CODE C-1926015
		WEIGHT -	DRAWING NO -	
		CUSTOMER DRAWING		RESTRICTED TO -
		SCALE 4:1		SHEET 3 OF 3 REV B

X-ON Electronics

Largest Supplier of Electrical and Electronic Components

Click to view similar products for [Heavy Duty Power Connectors](#) category:

Click to view products by [TE Connectivity](#) manufacturer:

Other Similar products are found below :

[1424439](#) [1424438](#) [09330062652](#) [2-8675P1](#) [580129-2](#) [605601-1](#) [6340G1](#) [6341G1](#) [6360G1](#) [6373G1](#) [6374g2](#) [6396G1](#) [647757-1](#) [66394-4](#)
[6643411-1](#) [6646058-2](#) [6646137-1](#) [6646138-1](#) [6646348-1](#) [6646479-1](#) [6646608-1](#) [6646786-1](#) [6646940-1](#) [6651091-1](#) [6651525-1](#) [6651529-1](#)
[6651778-1](#) [6651788-1](#) [696465-1](#) [696475-1](#) [73000005059](#) [73000005349](#) [73000005642](#) [73080255059](#) [73080965046](#) [765-15-0080A](#)
[765-16-0080B](#) [789.700-44](#) [789.700-54](#) [80-1010](#) [80-9](#) [827381-1](#) [829992-1](#) [902-77-02113](#) [PL00U-301-10D10](#) [PM103MOOLOO](#)
[PM16S1620S32-50](#) [PM212MOOLOO](#) [PM309FOOLOO](#) [PM324FOOLCH](#)