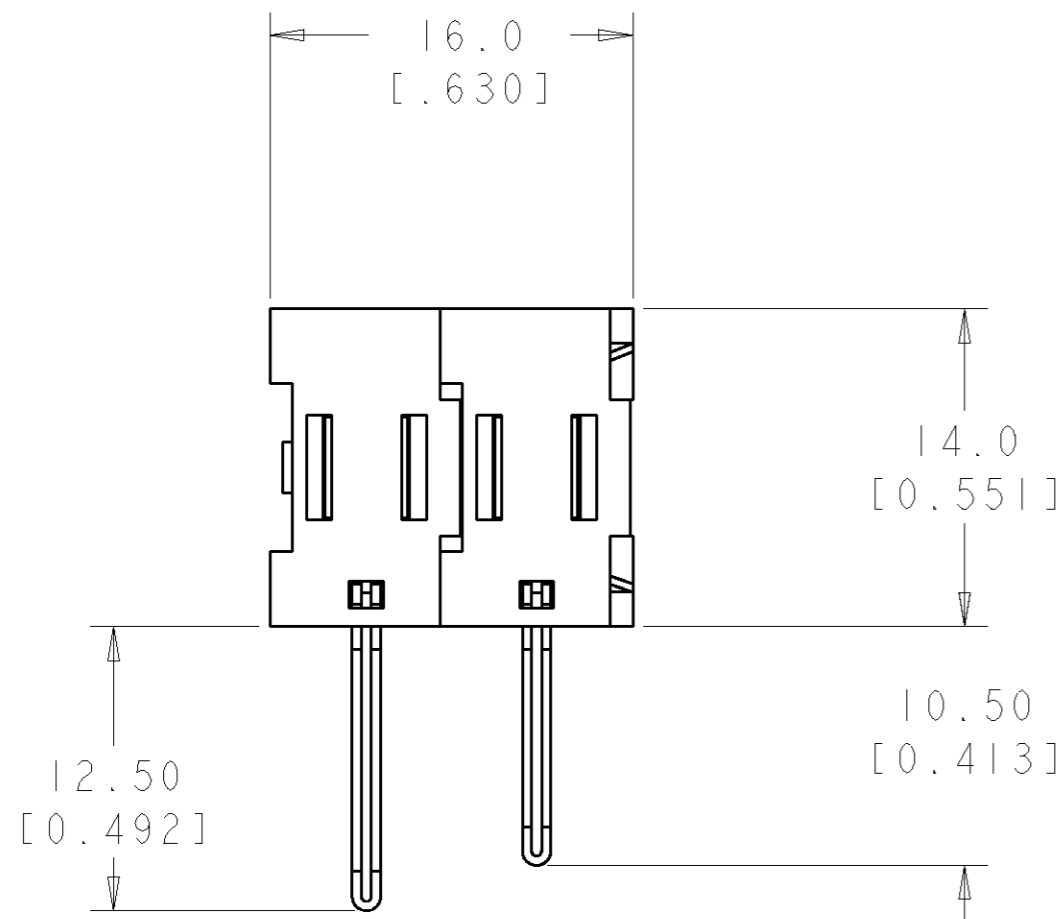


THIS DRAWING IS UNPUBLISHED. RELEASED FOR PUBLICATION 20

© COPYRIGHT 20 BY TYCO ELECTRONICS CORPORATION. ALL RIGHTS RESERVED.

LOC		DIST		REVISIONS					
GP		00		P	LTR	DESCRIPTION	DATE	DWN	APVD
				A		RELEASED	14MAR2006	RG	PD
				B		REV PER ECO-06-025728	02NOV2006	RG	PD



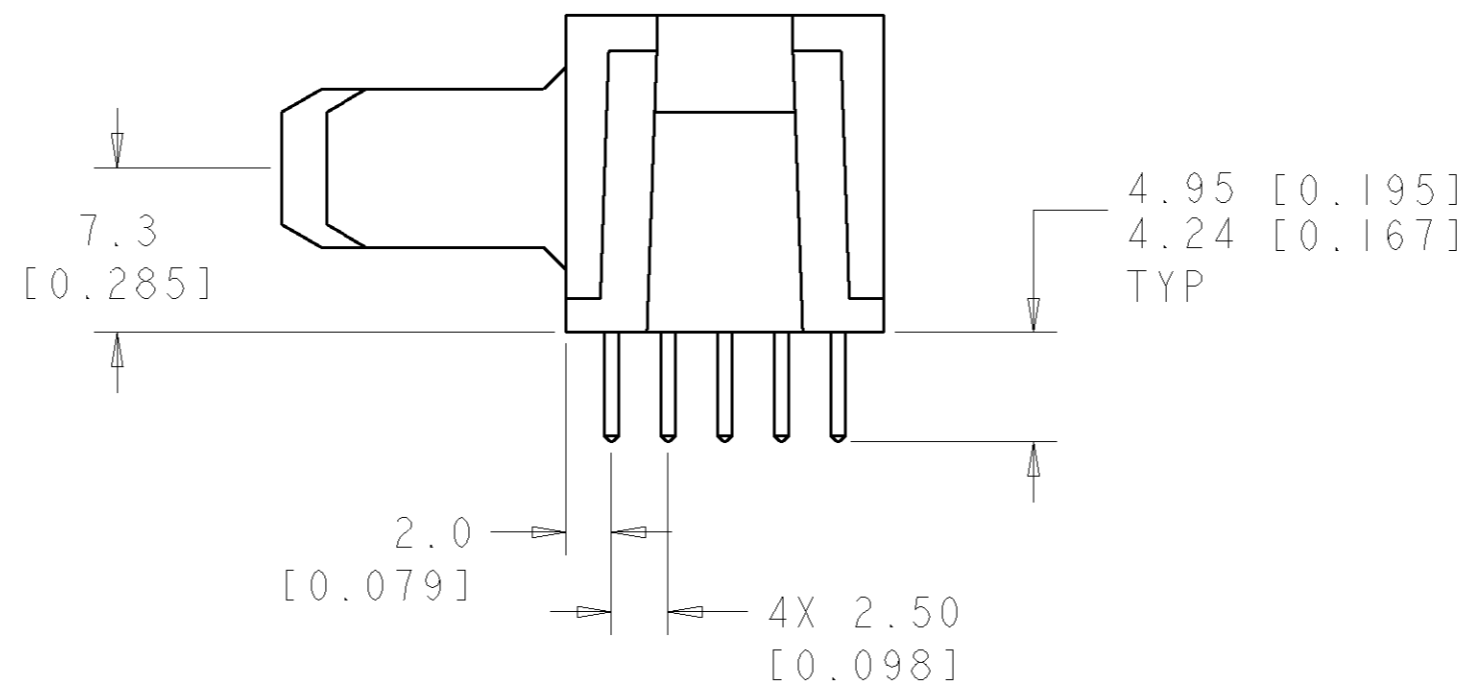
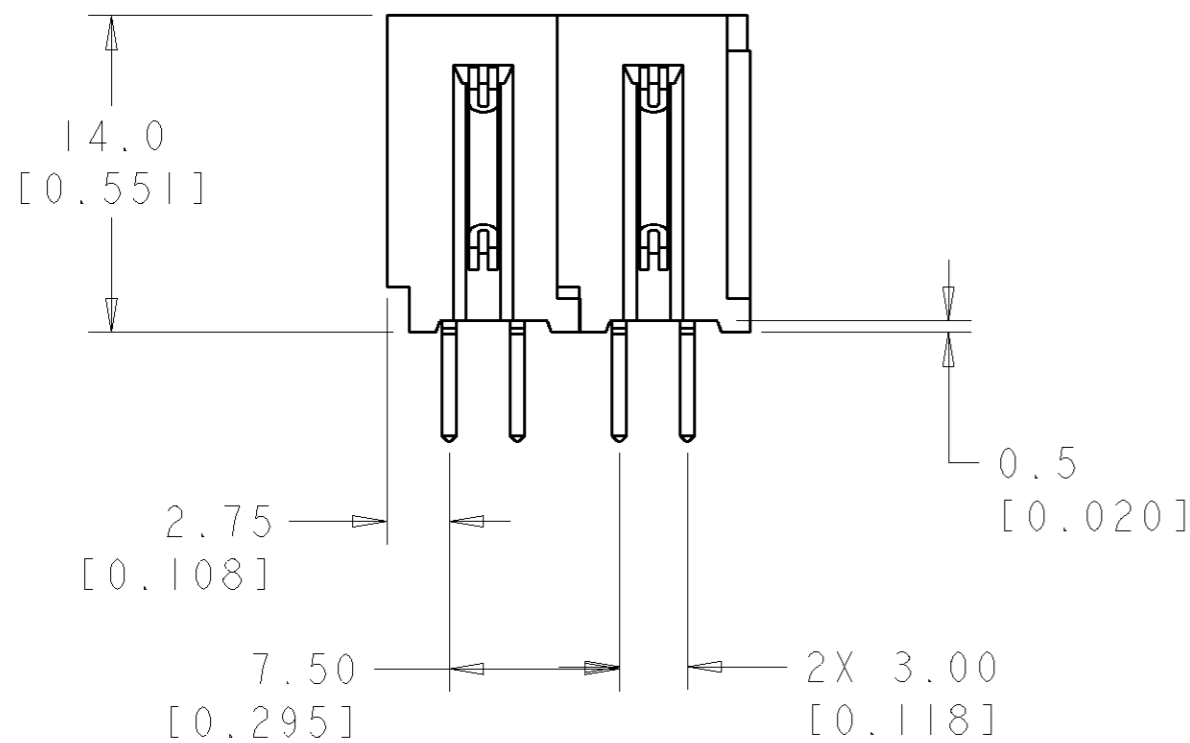
- PART NUMBER CHANGES AND OR DESIGN CHANGES AFFECTING ITEM INTERCHANGEABILITY REQUIRE PRIOR TYCO APPROVAL AND AUTHORIZATION BY REVISION TO THIS DRAWING.
- MATERIAL:  
INSULATORS - THERMOPLASTIC, GLASS REINFORCED, COLOR: BLACK  
UL94V-0 FLAMMABILITY RATED.  
POWER CONTACTS - PHOSPHOR BRONZE ALLOY, COPPER ALLOY  
CROWN BAND: BERYLLIUM COPPER
- FINISH:  
CONTACTS - GOLD PLATE .000030 INCH MIN. THK. OVER NICKEL  
.000050 INCH MIN. THK.  
SOLDER TAILS TIN .000120 INCH MIN. THK. OVER NICKEL .000050 MIN THK.
- ITEMS PROVIDED TO THIS SPECIFICATION TO BE IDENTIFIED ON THE CONTAINER PER THE FOLLOWING IDENTIFIER LABEL

YEAR     WEEK    

TYCO PART NO.                  DATE CODE (e.g. 0106)       

XXXXXXXX-X          XXXX

5. THIS CONNECTOR MATES WITH SOCKET CONNECTOR P/N 1926015-1



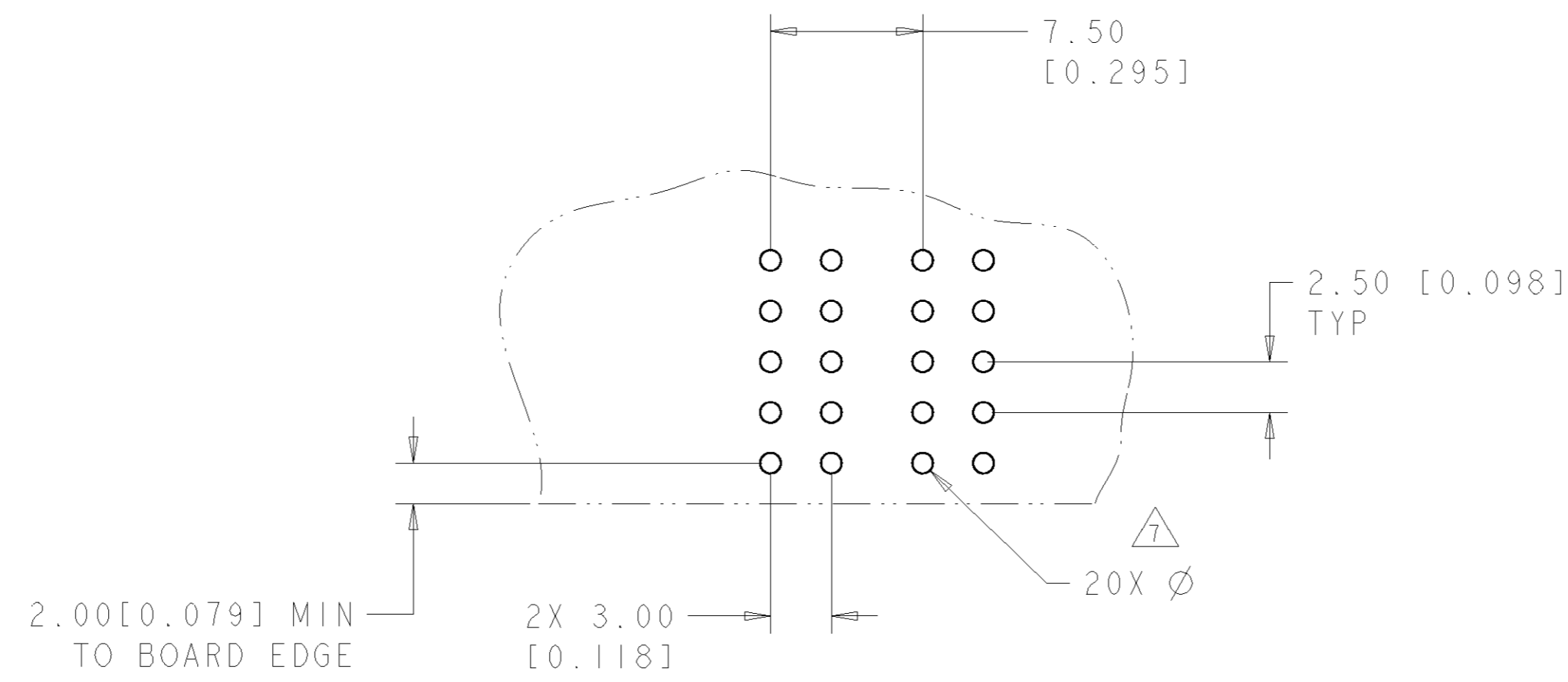
ELCON FLATPAQ

THIS DRAWING IS A CONTROLLED DOCUMENT FOR TYCO ELECTRONICS CORPORATION IT IS SUBJECT TO CHANGE AND THE CONTROLLING ENGINEERING ORGANIZATION SHOULD BE CONTACTED FOR THE LATEST REVISION.		DWN	R. GRZYBOWSKI	08 JUN 06	<b>tyco</b> <b>Electronics</b> Tyco Electronics Harrisburg, PA 17105-3608 NAME: RIGHT ANGLE PIN CONNECTOR SOLDER TAILS
DIMENSIONS: mm [INCHES]		CHK	S. FLICKINGER	08 JUN 06	
TOLERANCES UNLESS OTHERWISE SPECIFIED:		APVD	S. FLICKINGER	08 JUN 06	
0 PLC	±	PRODUCT SPEC			
1 PLC	±.5 [0.020]	APPLICATION SPEC			
2 PLC	±.25 [0.010]	WEIGHT	-		
3 PLC	±	CUSTOMER DRAWING			
4 PLC	±	SCALE 3:1 SHEET 1 OF 3 REV B			
ANGLES	±.5				
FINISH	-				

AS SHOWN	1926016-1
DESCRIPTION	PART NUMBER

THIS DRAWING IS UNPUBLISHED. RELEASED FOR PUBLICATION 20  
 © COPYRIGHT 20 BY TYCO ELECTRONICS CORPORATION. ALL RIGHTS RESERVED.

LOC	DIST	REVISIONS			
P	LTR	DESCRIPTION	DATE	DWN	APVD
GP	00	-	SEE SHEET 1	-	-



PRINTED CIRCUIT LAYOUT  
 COMPONENT SIDE

CONNECTOR	CATALOG MODULE #	QTY	SIZE NO.	CONTACT QTY	MATING PIN	MAX. CURRENT (PER CONTACT)	CONTACT SPACING	VOLTAGE RATING
PIN	FP0105	1	8	1	1.25 X 7.00 [.049 X .276]	35 amps	7.50 [0.2953]	250
	FP0106	1	8	1	1.25 X 7.00 [.049 X .276]	35 amps	7.50 [0.2953]	250

THIS DRAWING IS A CONTROLLED DOCUMENT FOR TYCO ELECTRONICS CORPORATION. IT IS SUBJECT TO CHANGE AND THE CONTROLLING ENGINEERING ORGANIZATION SHOULD BE CONTACTED FOR THE LATEST REVISION.

DWN: R. GRZYBOWSKI 08 JUN 06  
 CHK: S. FLICKINGER 08 JUN 06  
 APVD: S. FLICKINGER 08 JUN 06

**tyco** Tyco Electronics  
 Harrisburg, PA 17105-3608

NAME: RIGHT ANGLE PIN CONNECTOR SOLDER TAILS

SIZE: A2 CAGE CODE: 00779 DRAWING NO: 1926016 RESTRICTED TO: -

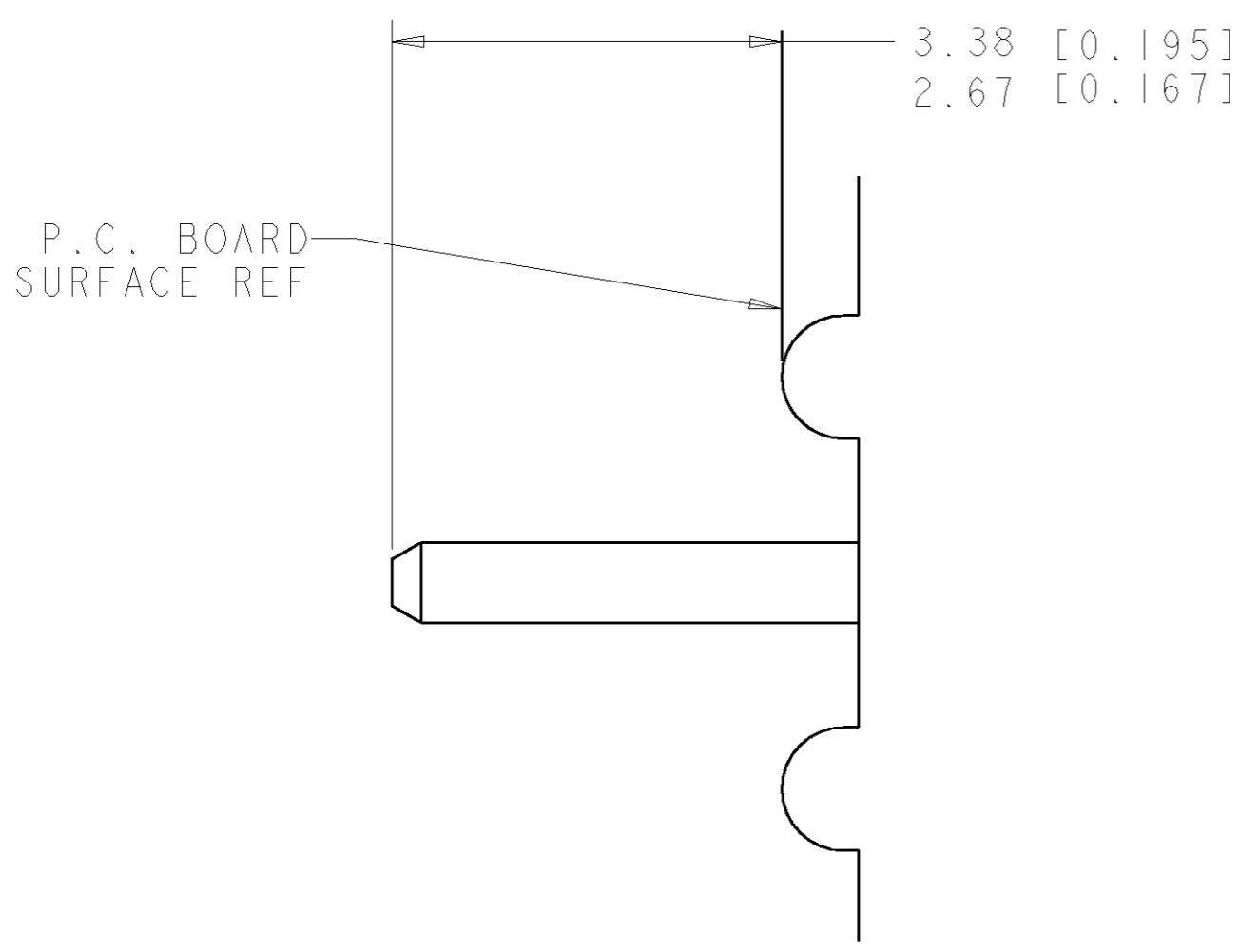
MATERIAL: - FINISH: - WEIGHT: -

CUSTOMER DRAWING SCALE: 3:1 SHEET 2 OF 3 REV B

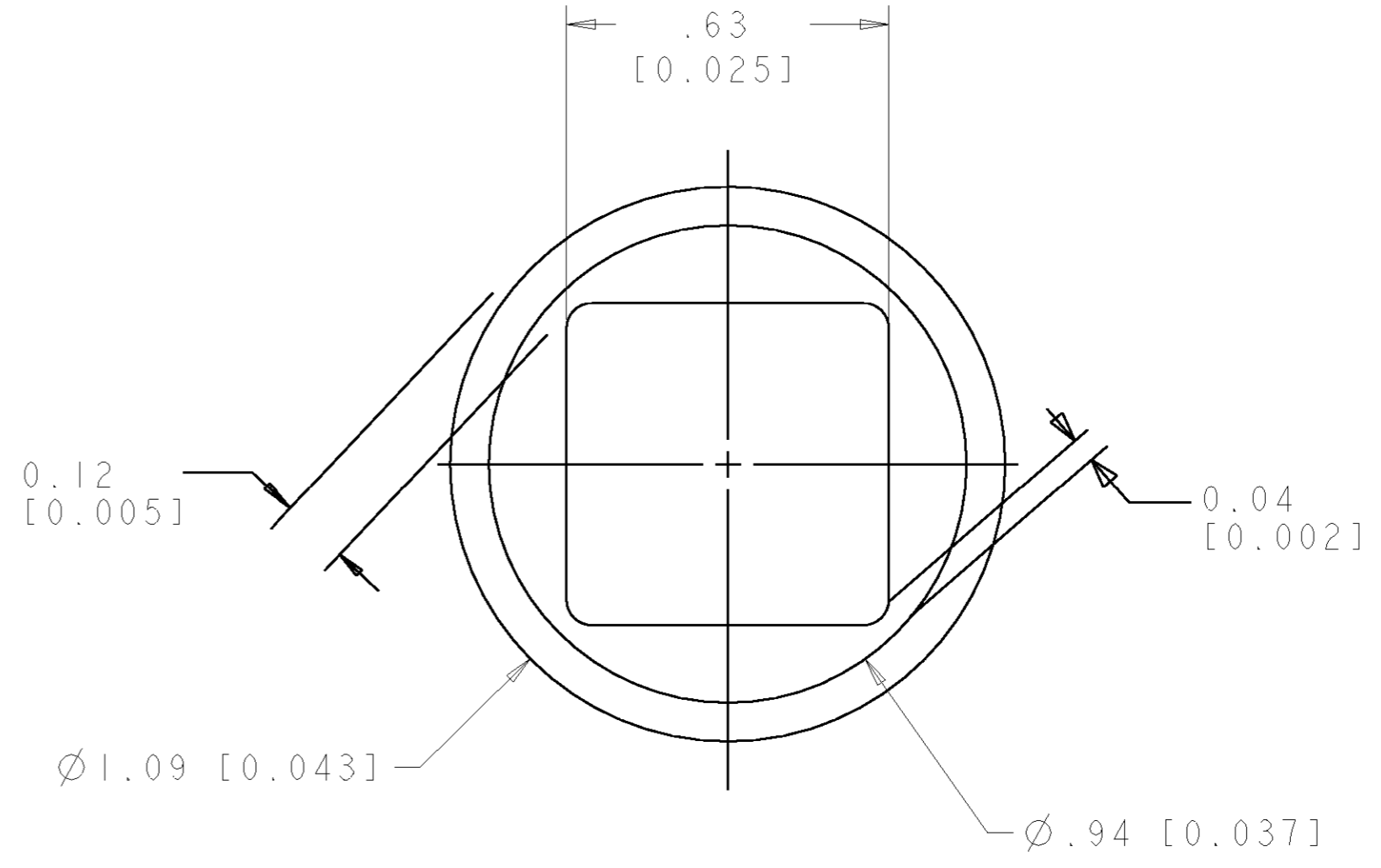
ELCON FLATPAQ

THIS DRAWING IS UNPUBLISHED. RELEASED FOR PUBLICATION 20  
 © COPYRIGHT 20 BY TYCO ELECTRONICS CORPORATION. ALL RIGHTS RESERVED.

LOC	DIST	REVISIONS			
P	LTR	DESCRIPTION	DATE	DWN	APVD
GP	00	-	SEE SHEET 1	-	-



6. SOLDER TAIL DETAIL  
 SCALE 10 : 1



7. SOLDER TERMINATION AREA  
 SCALE 40:1

RECOMMENDED PRINTED CIRCUIT SOLDER HOLE  
 FINISHED HOLE: Ø 1.02 [.040] ±.08 [.003]  
 DRILLED HOLE: Ø 1.15 [.0453] ±.013 [.0005]  
 COPPER PLATE: .025 [.0010] MIN (PER SURFACE)  
 TIN PLATE: .008 [.0003] MIN. (PER SURFACE)

ELCON FLATPAQ

THIS DRAWING IS A CONTROLLED DOCUMENT FOR TYCO ELECTRONICS CORPORATION IT IS SUBJECT TO CHANGE AND THE CONTROLLING ENGINEERING ORGANIZATION SHOULD BE CONTACTED FOR THE LATEST REVISION.		DWN R. GRZYBOWSKI 08 JUN 06	tyco Tyco Electronics Harrisburg, PA 17105-3608	
DIMENSIONS: mm [INCHES]		CHK S. FLICKINGER 08 JUN 06	NAME RIGHT ANGLE PIN CONNECTOR SOLDER TAILS	
TOLERANCES UNLESS OTHERWISE SPECIFIED:		APVD S. FLICKINGER 08 JUN 06	SIZE	RESTRICTED TO
0 PLC ±	1 PLC ±.5 [.020]	PRODUCT SPEC	A200779	-
2 PLC ±.25 [.010]	3 PLC ±	APPLICATION SPEC	C-1926016	
4 PLC ±	ANGLES ±.5	WEIGHT	SCALE 3:1	SHEET 3 OF 3
MATERIAL	FINISH	CUSTOMER DRAWING	REV B	

## X-ON Electronics

Largest Supplier of Electrical and Electronic Components

*Click to view similar products for [Heavy Duty Power Connectors](#) category:*

*Click to view products by [TE Connectivity](#) manufacturer:*

Other Similar products are found below :

[1424439](#) [1424438](#) [09330062652](#) [2-8675P1](#) [580129-2](#) [605601-1](#) [6340G1](#) [6341G1](#) [6360G1](#) [6373G1](#) [6374g2](#) [6396G1](#) [647757-1](#) [66394-4](#)  
[6643411-1](#) [6646058-2](#) [6646137-1](#) [6646138-1](#) [6646348-1](#) [6646479-1](#) [6646608-1](#) [6646786-1](#) [6646940-1](#) [6651091-1](#) [6651525-1](#) [6651529-1](#)  
[6651778-1](#) [6651788-1](#) [696465-1](#) [696475-1](#) [73000005059](#) [73000005349](#) [73000005642](#) [73080255059](#) [73080965046](#) [765-15-0080A](#)  
[765-16-0080B](#) [789.700-44](#) [789.700-54](#) [80-1010](#) [80-9](#) [827381-1](#) [829992-1](#) [902-77-02113](#) [PL00U-301-10D10](#) [PM103MOOLOO](#)  
[PM16S1620S32-50](#) [PM212MOOLOO](#) [PM309FOOLOO](#) [PM324FOOLCH](#)