

THIS DRAWING IS UNPUBLISHED. RELEASED FOR PUBLICATION  
 © COPYRIGHT BY TYCO ELECTRONICS CORPORATION. ALL INTERNATIONAL RIGHTS RESERVED.


|     |      |           |     |                       |           |     |      |
|-----|------|-----------|-----|-----------------------|-----------|-----|------|
| LOC | DIST | REVISIONS |     |                       |           |     |      |
| GP  | 00   | P         | LTR | DESCRIPTION           | DATE      | DWN | APVD |
|     |      | C         |     | REV PER ECO-09-000617 | 27JAN2009 | RG  | PD   |

| CONNECTOR | CONFIGURATION REF # | CONTACT | POSITION             | CONTACT PITCH | VOLTAGE RATING* |
|-----------|---------------------|---------|----------------------|---------------|-----------------|
| PIN       | MPK003              | SIGNAL  | 9-32                 | 2.50 [1.098]  | 60 VOLTS        |
|           |                     | POWER   | 1-2, 3-4<br>5-6, 7-8 | 4.50 [1.77]   | COMMON          |

- PART NUMBER CHANGES AND OR DESIGN CHANGES AFFECTING ITEM INTERCHANGEABILITY REQUIRE PRIOR TYCO ELECTRONICS APPROVAL AND AUTHORIZATION BY REVISION TO THIS DRAWING.
- MATERIALS:
  - INSULATORS: THERMOPLASTIC, GLASS REINFORCED, COLOR BLACK. UL94V-0 FLAMMABILITY RATED.
  - SIGNAL CONTACTS: BRASS ALLOY.
  - POWER CONTACTS: COPPER ALLOY.
- FINISHES:
  - CONTACT PLATING: GOLD PLATE 0.76µm MIN. THK OVER NICKEL 1.27µm MIN THK.
  - TERMINALS: TIN PLATE 2.54µm MIN THK OVER NICKEL 1.27µm MIN THK.
- ITEMS PROVIDED TO THIS SPECIFICATION TO BE PERMANENTLY IDENTIFIED PER THE FOLLOWING IDENTIFIER.

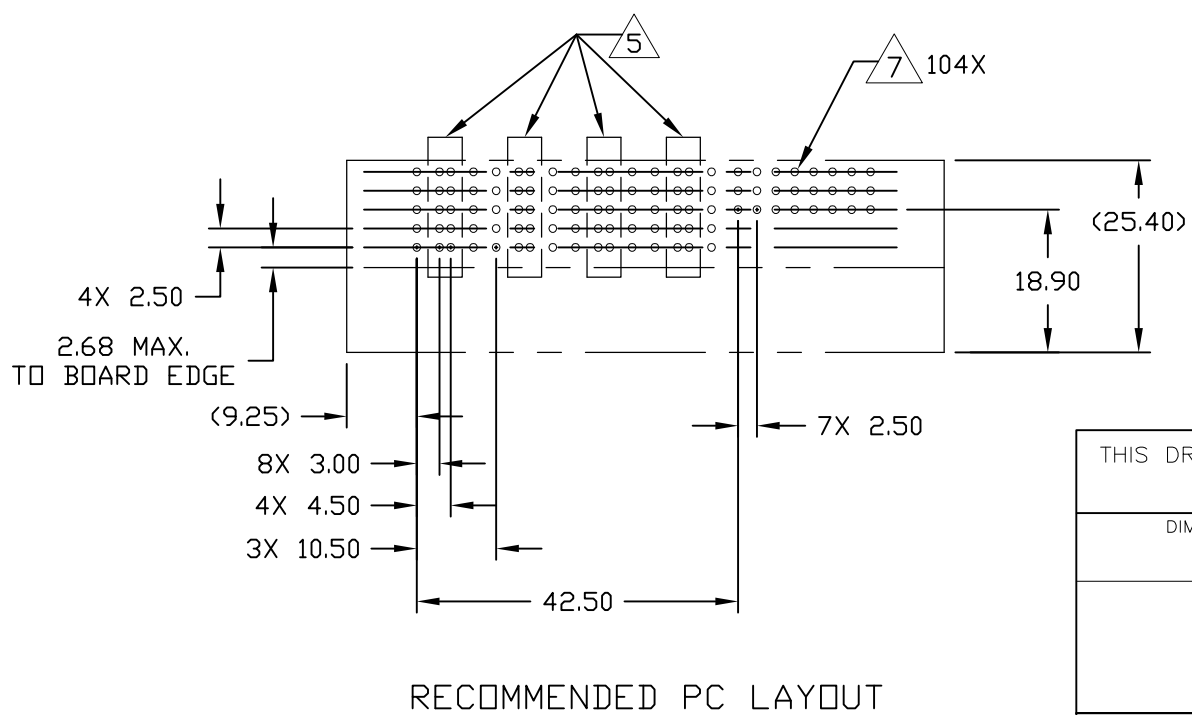
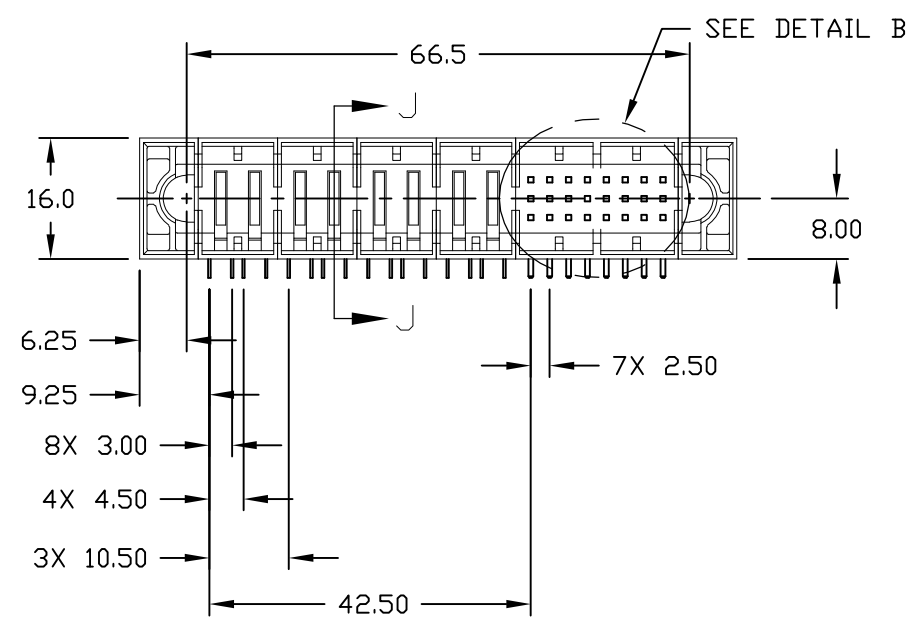
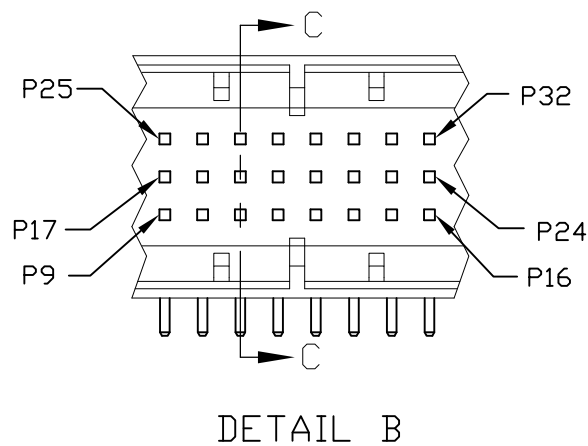
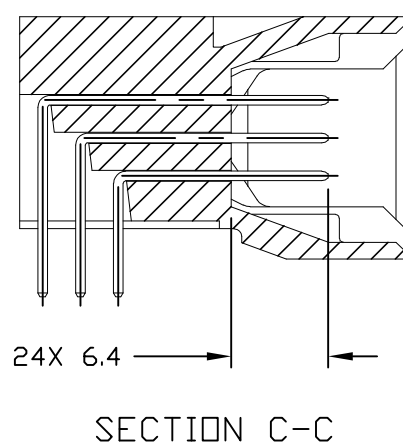
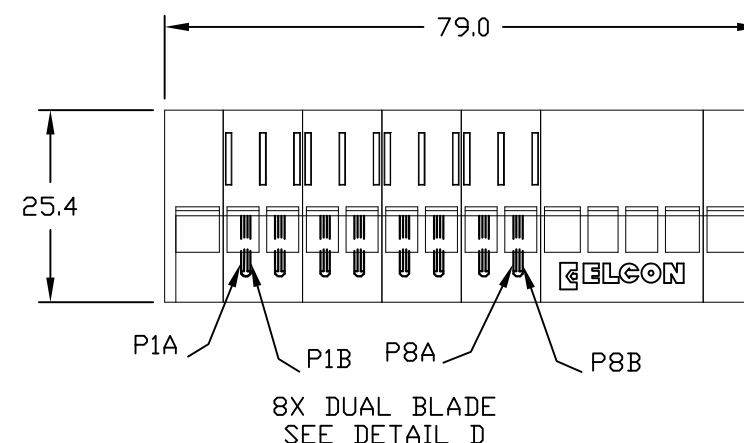
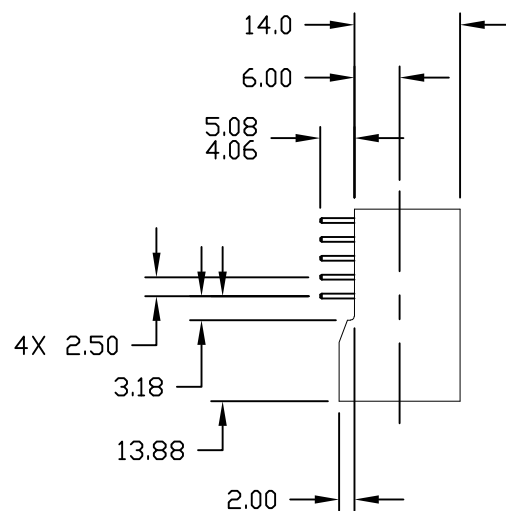
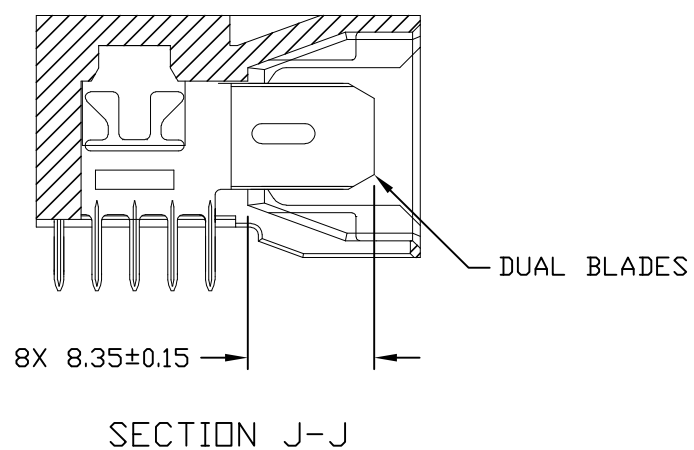
YEAR    WEEK     
 TYCO ELECTRONICS P/N      DATE CODE (e.g. 0522)  
 \_\_\_\_\_                      \_\_\_\_\_  
 XXXXXXXX-X                      XXXX

5 PINS INTERNAL TO DASHED LINE ARE SHORTED TO EACH OTHER.  
 1B IS SHORTED TO 2A.  
 3B IS SHORTED TO 4A.  
 5B IS SHORTED TO 6A.  
 7B IS SHORTED TO 8A.

|   |  |                                 |   |                 |
|---|--|---------------------------------|---|-----------------|
| THIS DRAWING IS A CONTROLLED DOCUMENT.  |  | DWN 12/23/05<br>RFA/GRZYBOWSKI  |  Tyco Electronics Corporation<br>Harrisburg, PA 17105-3608 |                 |
| DIMENSIONS: mm  |  | CHK -<br>P.DAMATO               |   |                 |
| TOLERANCES UNLESS OTHERWISE SPECIFIED:  |  | APVD 12/23/05<br>CHAU/PERCHERKE | NAME<br>PIN CONNECTOR ASSEMBLY<br>RIGHT ANGLE, SOLDER TAIL<br>MINIPAK   |                 |
| 0 PLC ± -<br>1 PLC ± .5<br>2 PLC ± .25<br>3 PLC ± -<br>4 PLC ± -<br>ANGLES ± .5 |  | PRODUCT SPEC -                  | RESTRICTED TO -   |                 |
| MATERIAL -  |  | APPLICATION SPEC -              | SIZE A3   | CAGE CODE 00779 |
| FINISH -  |  | WEIGHT -                        | DRAWING NO C-1926017  |                 |
| CUSTOMER DRAWING  |  |                                 | SCALE 1:1   | SHEET 1 OF 3    |
|   |  |                                 | REV C   |                 |

THIS DRAWING IS UNPUBLISHED. RELEASED FOR PUBLICATION  
 © COPYRIGHT - BY TYCO ELECTRONICS CORPORATION. ALL INTERNATIONAL RIGHTS RESERVED.

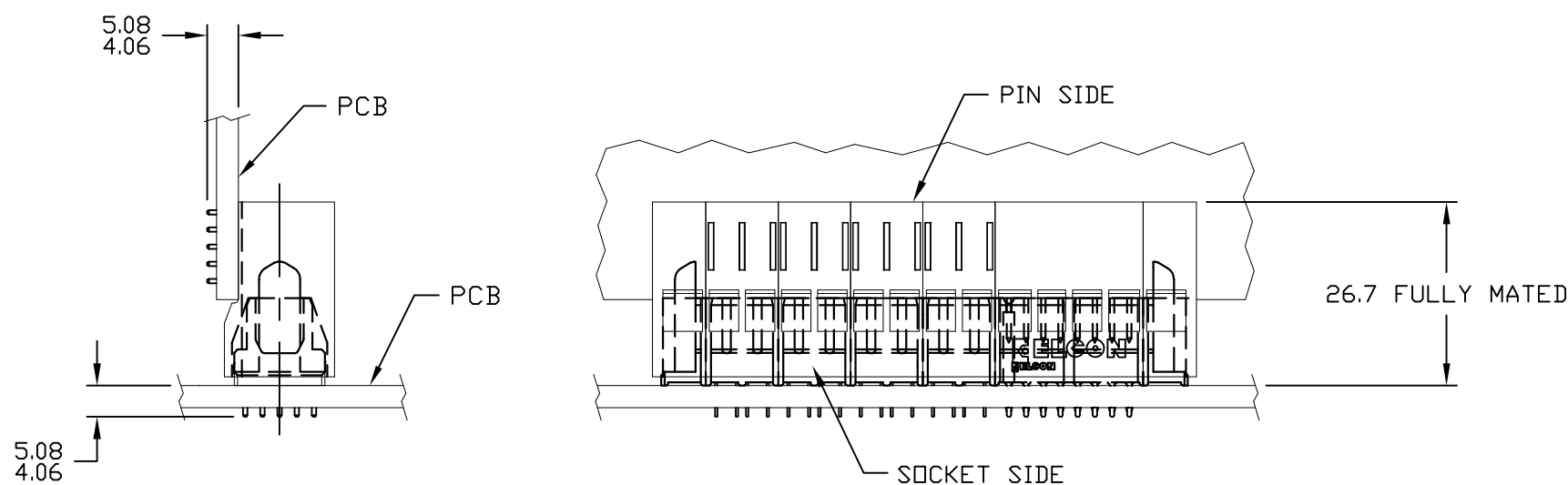
| LOC | DIST | REVISIONS   |      |     |      |
|-----|------|-------------|------|-----|------|
| P   | LTR  | DESCRIPTION | DATE | DWN | APVD |
| GP  | 00   | SEE SHEET 1 | -    | -   | -    |



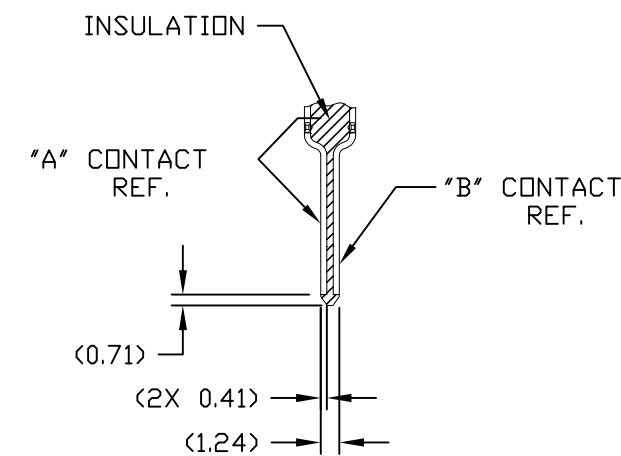
|  |  |                                 |   |               |
|--|--|---------------------------------|---|---------------|
| THIS DRAWING IS A CONTROLLED DOCUMENT. |  | DWN 12/23/05<br>RFA/GRZYBOWSKI  | Tyco Electronics Corporation<br>Harrisburg, PA 17105-3608     |               |
| DIMENSIONS:<br>mm                      |  | CHK P.DAMATO                    | NAME  |               |
| TOLERANCES UNLESS OTHERWISE SPECIFIED: |  | APVD 12/23/05<br>CHAU/PERCHERKE | PIN CONNECTOR ASSEMBLY<br>RIGHT ANGLE, SOLDER TAIL<br>MINIPAK |               |
| MATERIAL                               |  | PRODUCT SPEC                    | SIZE  | RESTRICTED TO |
| FINISH                                 |  | APPLICATION SPEC                | CAGE CODE   | DRAWING NO    |
| -                                      |  | WEIGHT                          | A3 00779  | C-1926017     |
| -                                      |  | CUSTOMER DRAWING                | SCALE 1:1   | SHEET 2 OF 3  |
| -                                      |  |                                 |   | REV C         |

THIS DRAWING IS UNPUBLISHED. RELEASED FOR PUBLICATION  
 © COPYRIGHT - BY TYCO ELECTRONICS CORPORATION. ALL INTERNATIONAL RIGHTS RESERVED.

|     |      |           |     |             |      |     |      |
|-----|------|-----------|-----|-------------|------|-----|------|
| LOC | DIST | REVISIONS |     |             |      |     |      |
| GP  | 00   | P         | LTR | DESCRIPTION | DATE | DWN | APVD |
|     |      | -         |     | SEE SHEET 1 | -    | -   | -    |



MATED CONDITION



DETAIL D

DETAIL A

7 SOLDER TERMINATION AREA  
 RECOMMENDED PRINTED CIRCUIT HOLE

FINISHED HOLE:  $\phi 1.02 \pm 0.08$   
 DRILLED HOLE:  $\phi 1.15 \pm 0.013$   
 COPPER PLATE: .025-.050 MINIMUM (PER SURFACE)  
 TIN PLATE: .0005 MINIMUM (PER SURFACE)

|  |  |                  |           |                              |               |
|--|--|------------------|-----------|------------------------------|---------------|
| THIS DRAWING IS A CONTROLLED DOCUMENT. |  | DWN              | 12/23/05  | Tyco Electronics Corporation |               |
|  |  | CHK              | -         | Harrisburg, PA 17105-3608    |               |
|  |  | APVD             | 12/23/05  | NAME                         |               |
|  |  | PRODUCT SPEC     | -         | PIN CONNECTOR ASSEMBLY       |               |
|  |  | APPLICATION SPEC | -         | RIGHT ANGLE, SOLDER TAIL     |               |
|  |  | WEIGHT           | -         | MINIPAK                      |               |
| DIMENSIONS:                            |  | SIZE             | CAGE CODE | DRAWING NO                   | RESTRICTED TO |
| mm                                     |  | A3               | 00779     | C-1926017                    | -             |
| TOLERANCES UNLESS OTHERWISE SPECIFIED: |  | CUSTOMER DRAWING |           | SCALE                        | SHEET         |
| 0 PLC $\pm -$                          |  |                  |           | 1:1                          | 3 OF 3        |
| 1 PLC $\pm .5$                         |  |                  |           | REV                          | C             |
| 2 PLC $\pm .25$                        |  |                  |           |                              |               |
| 3 PLC $\pm -$                          |  |                  |           |                              |               |
| 4 PLC $\pm -$                          |  |                  |           |                              |               |
| ANGLES $\pm .5$                        |  |                  |           |                              |               |
| MATERIAL                               |  |                  |           |                              |               |
| FINISH                                 |  |                  |           |                              |               |

## X-ON Electronics

Largest Supplier of Electrical and Electronic Components

*Click to view similar products for [Heavy Duty Power Connectors](#) category:*

*Click to view products by [TE Connectivity](#) manufacturer:*

Other Similar products are found below :

[647757-1](#) [6643411-1](#) [6646058-2](#) [6646137-1](#) [6646138-1](#) [6646479-1](#) [6646608-1](#) [6646786-1](#) [6646940-1](#) [6651091-1](#) [6651525-1](#) [6651529-1](#)  
[6651788-1](#) [696475-1](#) [702-32-01109](#) [703-25-02205](#) [73000005059](#) [73000005642](#) [73080255059](#) [73080965046](#) [765-15-0080A](#) [765-16-0080B](#)  
[765-18-0080D](#) [829992-1](#) [902-77-02113](#) [PS00/A0620/6300](#) [PS25/A0420/63](#) [129-1J](#) [1409400](#) [AN0024023](#) [E6374G1](#) [e6389g2](#) [157-43GW8](#)  
[MS3117-14AC](#) [1643543-1](#) [1650540-1](#) [1651811-2](#) [1766260-1](#) [1766282-1](#) [1766966-1](#) [1791340000](#) [NLDFT-3-BL-L-S120-M40A](#) [NLDFT-N-](#)  
[W-L-C240-M40B](#) [NLS-2-R-C240-M40B](#) [NLS-N-W-C240-M40B](#) [NPS-3-BL-T6](#) [1986615-1](#) [2-1589900-8](#) [2199314-1](#) [KA8102](#)