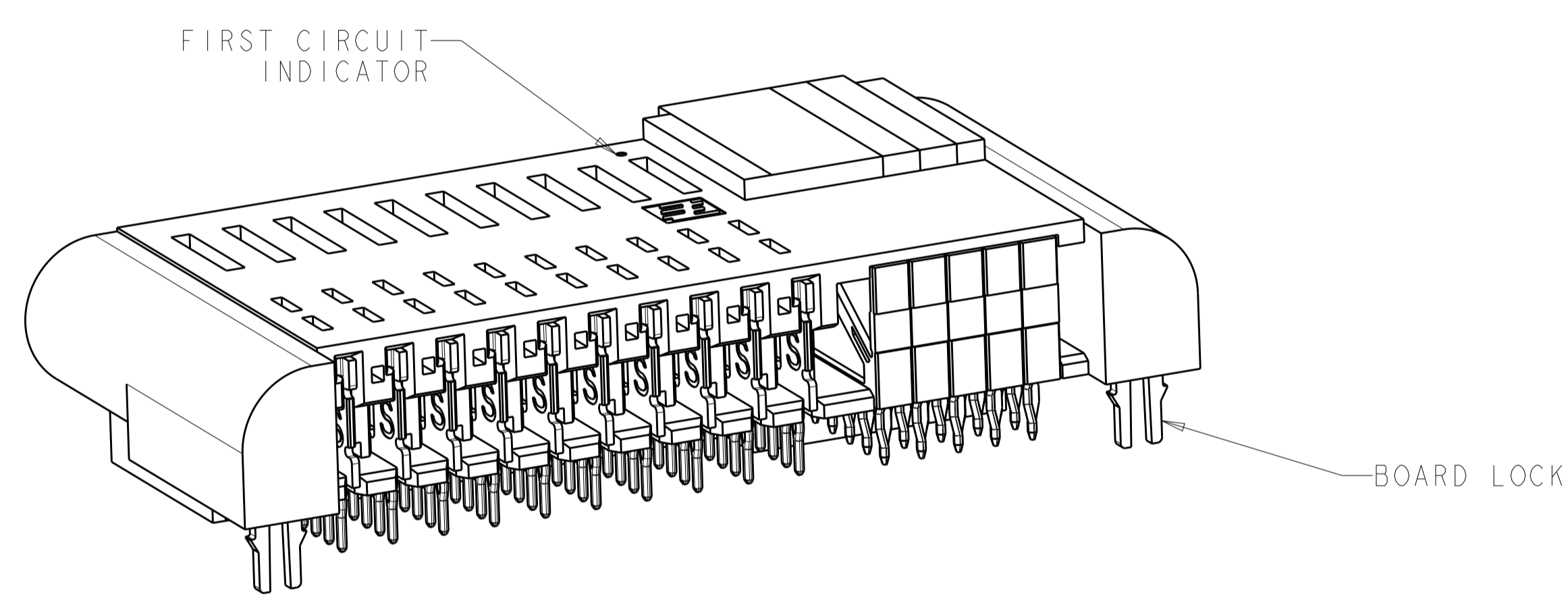
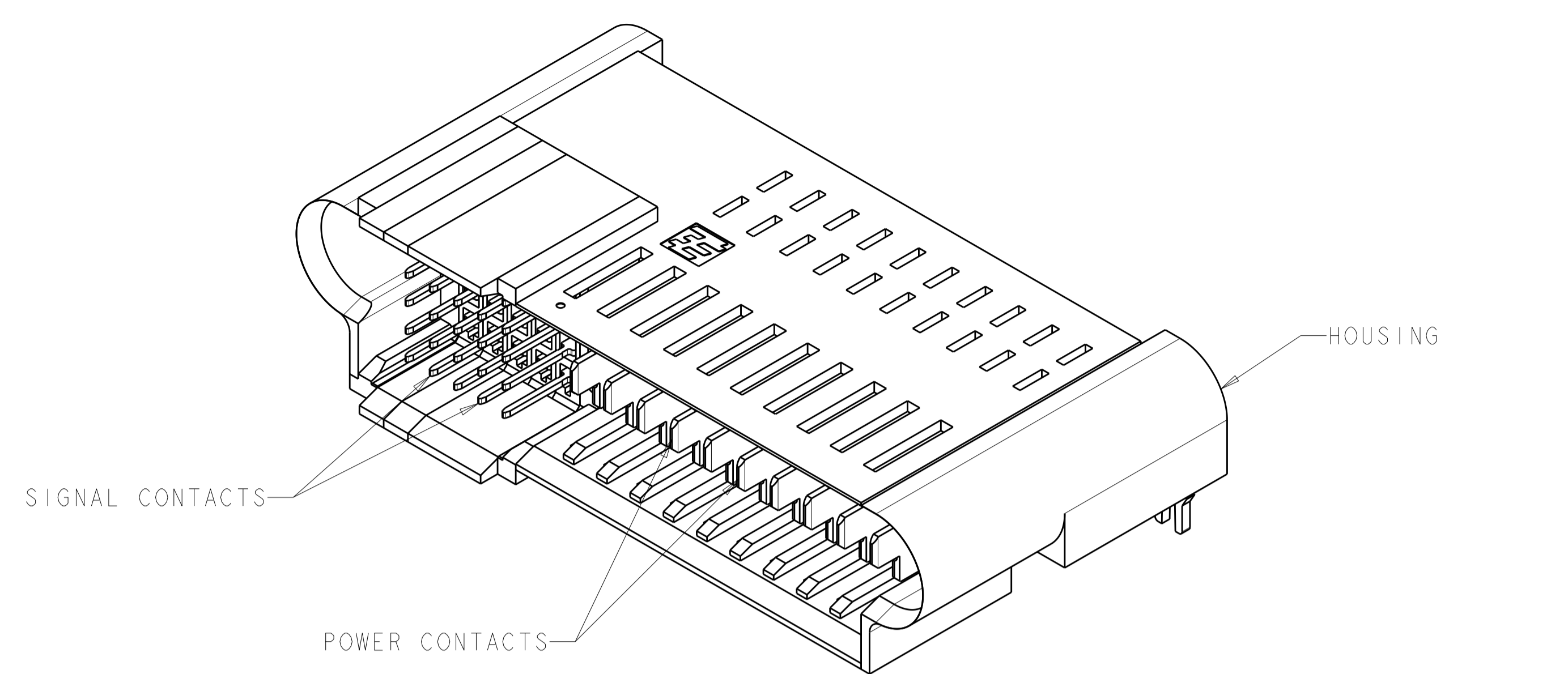


| LOC | DIST | REVISIONS |     |                         |           |     |      |
|-----|------|-----------|-----|-------------------------|-----------|-----|------|
|     |      | P         | LTN | DESCRIPTION             | DATE      | DWN | APVD |
| AA  | 00   | E5        |     | ADD NEW DASH NUMBER -81 | 04AUG2015 | SZ  | SZ   |



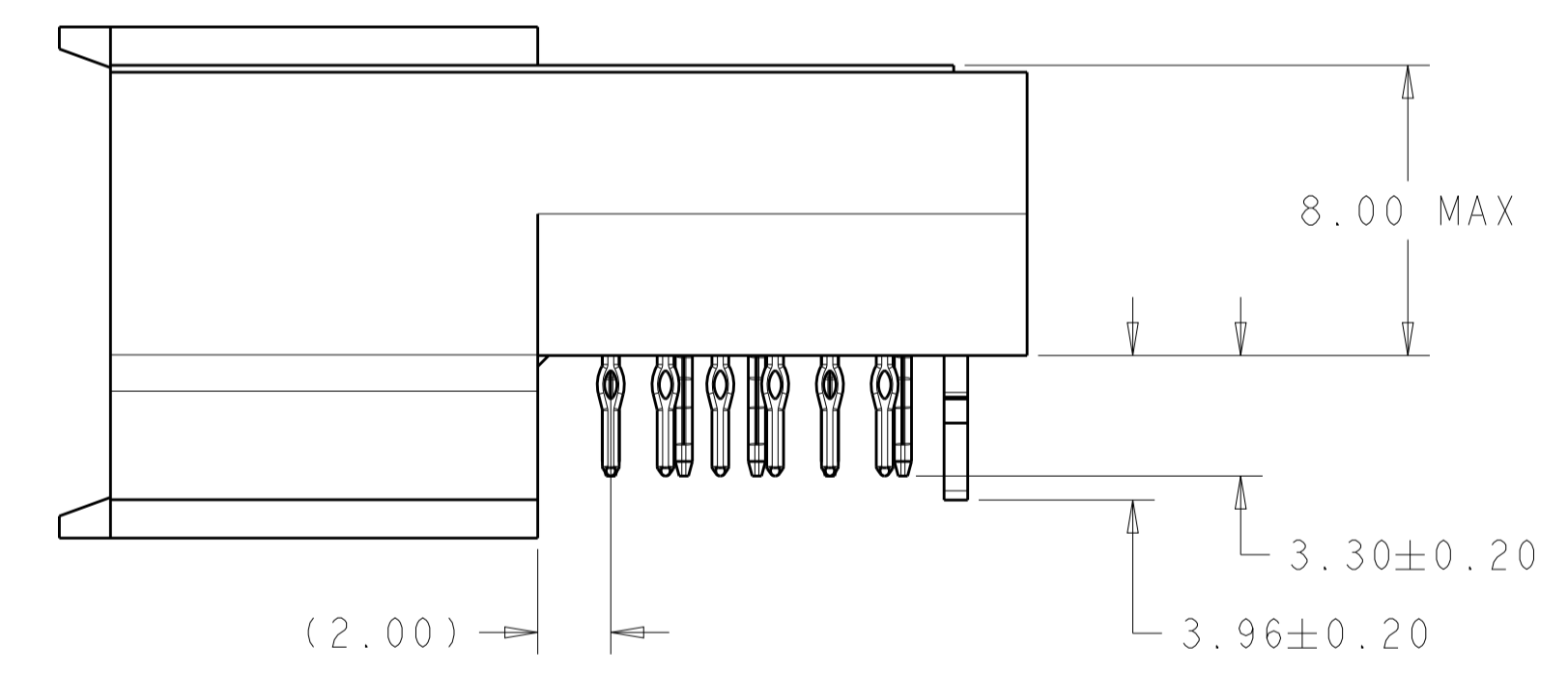
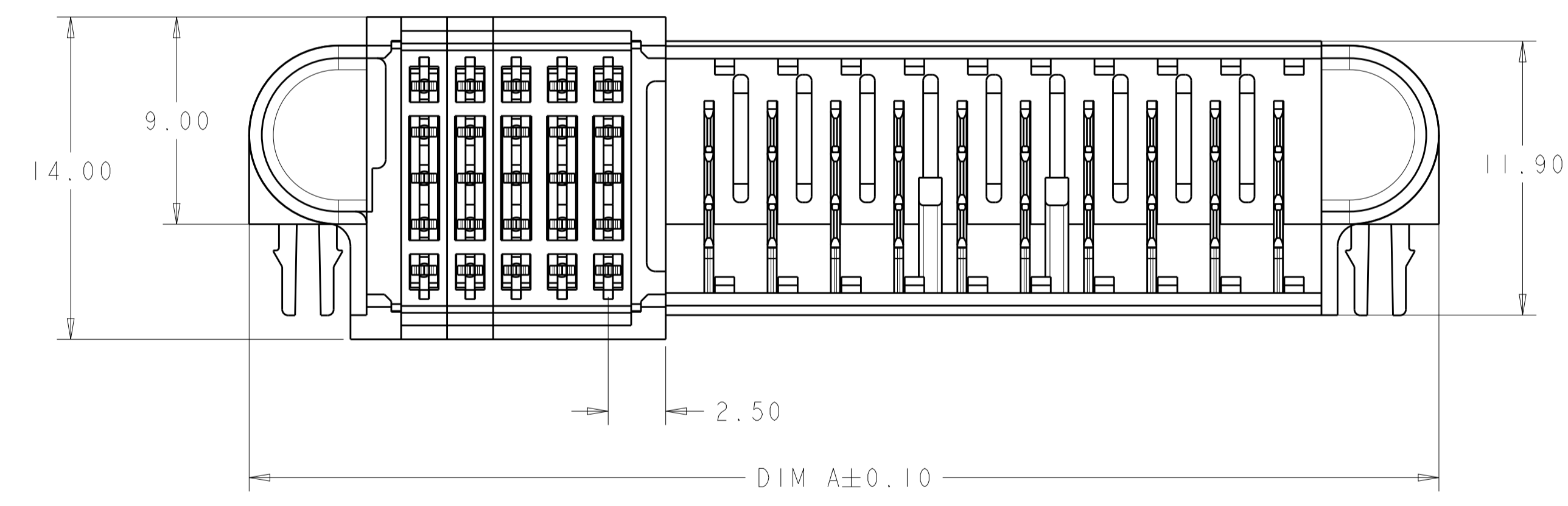
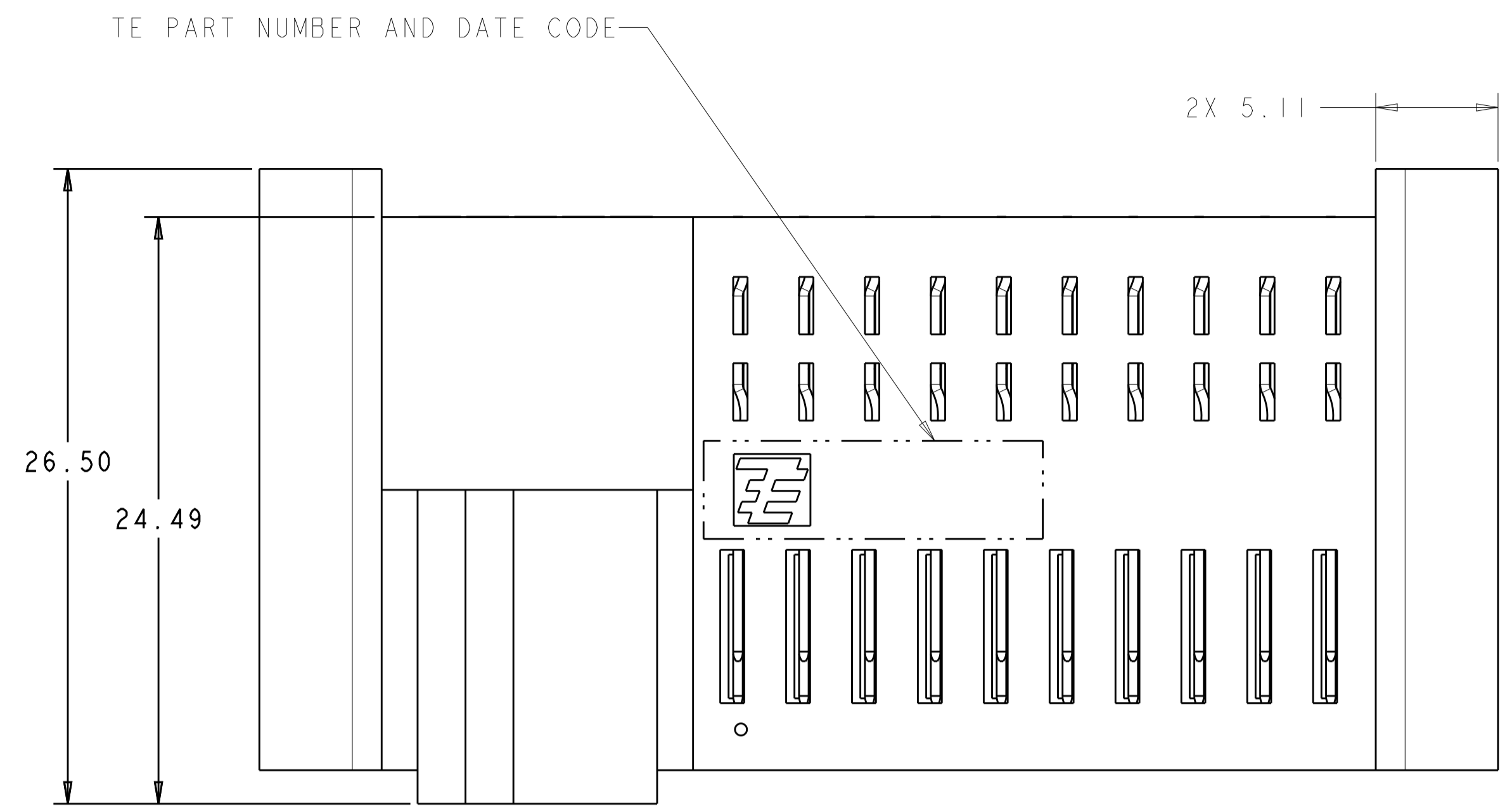
2-1926730-5 SHOWN

- HOUSING: GLASS FILLED HIGH TEMP THERMO PLASTIC, COLOR: BLACK, UL 94 V-0 RATED  
 SIGNAL CONTACT: COPPER ALLOY  
 SIGNAL OVERMOLD: GLASS FILLED POLYESTER  
 POWER CONTACT: COPPER ALLOY  
 BOARD LOCKS: COPPER ALLOY
  - CONTACT FINISH: NOBLE METAL PLATING ON CONTACT FUNCTIONAL AREA OF POWER AND SIGNAL CONTACTS,
  - CONTACT MATING AREA LUBRICATED WITH BELLCORE APPROVED LUBRICANT, TECHNICAL REFERENCE: GR-1217-CORE, ISSUE 1, NOVEMBER 1995.
  - THIS CONNECTOR EMPLOYS UL RECOGNIZED Z-PACK 2mm HM SIGNAL CONTACTS
- △ DATUMS AND BASIC DIMENSIONS TO BE ESTABLISHED BY CUSTOMER.
- △ PC BOARD THICKNESS 1.4mm MIN, FOR WAVE SOLDER PC BOARD THICKNESS 2.62 MAX
- △ SEE APPLICATION SPEC 114-13215 FOR PLATED THROUGH HOLE INFORMATION
8. SEE CUSTOMER DRAWING 1926731 OR 1926733 FOR MATING CONNECTOR
- △ UNPLATED HOLES

|       |       |       |       |       |       |                     |             |
|-------|-------|-------|-------|-------|-------|---------------------|-------------|
| 12    | 20    | 1     | 3     | 22.60 | 27.71 | 20S X 2P            | 8-1926730-3 |
| 12    | 25    | 1     | 4     | 24.60 | 29.71 | 25S X 2P            | 8-1926730-1 |
| 12    | 15    | 1     | 2     | 20.60 | 25.71 | 15S X 2P            | 8-1926730-0 |
| 12    | 10    | 1     | 1     | 18.60 | 23.71 | 10S X 2P            | 7-1926730-9 |
| 36    | 20    | 5     | 3     | 33.60 | 38.71 | 20S X 6P            | 1-1926730-0 |
| 144   | 40    | 23    | 10    | 91.10 | 96.21 | 40S X 24P           | 7-1926730-7 |
| 96    | 25    | 15    | 4     | 63.10 | 68.21 | 25S X 16P           | 4-1926730-6 |
| 72    | 15    | 11    | 2     | 48.10 | 53.21 | 15S X 12P           | 3-1926730-0 |
| 60    | 25    | 9     | 4     | 46.60 | 51.71 | 25S X 10P           | 2-1926730-5 |
| 48    | 25    | 7     | 4     | 41.10 | 46.21 | 25S X 8P            | 1-1926730-8 |
| 24    | 10    | 3     | 1     | 24.10 | 29.21 | 10S X 4P            | 1926730-1   |
| DIM F | DIM E | DIM D | DIM C | DIM B | DIM A | NUMBER OF POSITIONS | PART NUMBER |

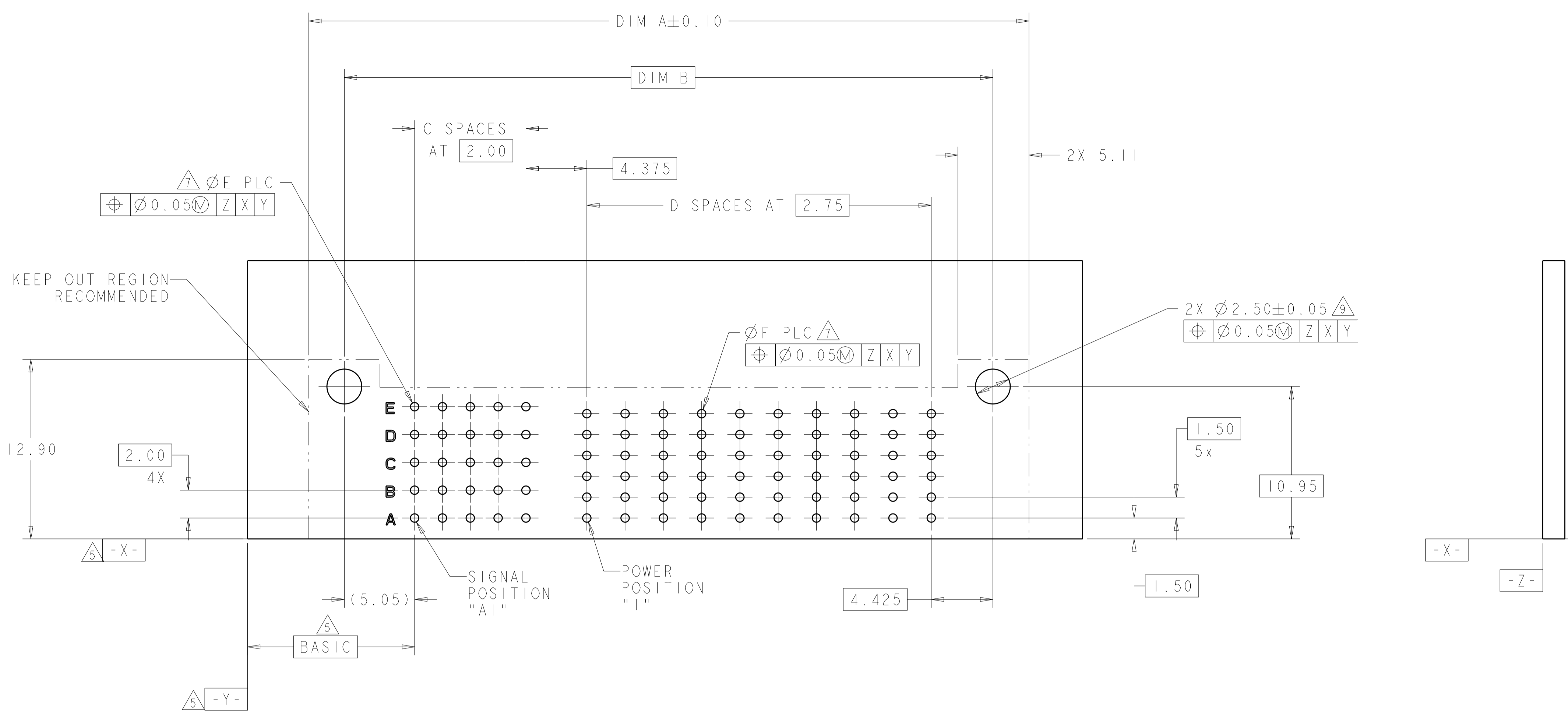
|                     |  |                                                                                                               |  |                                                                                |  |                                                                                                                                             |  |
|---------------------|--|---------------------------------------------------------------------------------------------------------------|--|--------------------------------------------------------------------------------|--|---------------------------------------------------------------------------------------------------------------------------------------------|--|
| DIMENSIONS: mm<br>  |  | TOLERANCES UNLESS OTHERWISE SPECIFIED:<br>0 PLC ±<br>1 PLC ±0.13<br>2 PLC ±<br>3 PLC ±<br>4 PLC ±<br>ANGLES ± |  | DWN G. PETERS 19OCT2007<br>CHK N. REESER 11APR2008<br>APVD N. REESER 11APR2008 |  | Tyco Electronics<br>Harrisburg, PA 17105-3608                                                                                               |  |
| MATERIAL SEE NOTE 1 |  | FINISH SEE NOTE 2                                                                                             |  | PRODUCT SPEC 108-2325<br>APPLICATION SPEC 114-13215                            |  | NAME PLUG ASSEMBLY, RIGHT ANGLE, PASSIVE GUIDE, SIGNAL/POWER, WITH BOARD LOCKS, MINIPAK HDL<br>SIZE CAGE CODE DRAWING NO. A100779 C=1926730 |  |
| CUSTOMER DRAWING    |  |                                                                                                               |  | WEIGHT -                                                                       |  | RESTRICTED TO                                                                                                                               |  |
| SCALE 4:1           |  |                                                                                                               |  |                                                                                |  | SHEET 1 OF 3 REV E6                                                                                                                         |  |

| LOC | DIST | REVISIONS |     |             |      |     |      |
|-----|------|-----------|-----|-------------|------|-----|------|
|     |      | P         | LTN | DESCRIPTION | DATE | DMN | APVD |
| AA  | 00   | -         | -   | SEE SHEET 1 | -    | -   | -    |
|     |      |           |     |             |      |     |      |
|     |      |           |     |             |      |     |      |



|                                                                                                                            |                                                                                                               |                                                                                |                                                                                              |
|----------------------------------------------------------------------------------------------------------------------------|---------------------------------------------------------------------------------------------------------------|--------------------------------------------------------------------------------|----------------------------------------------------------------------------------------------|
| <small>THIS DRAWING IS UNPUBLISHED. RELEASED FOR PUBLICATION BY TYCO ELECTRONICS CORPORATION. ALL RIGHTS RESERVED.</small> |                                                                                                               | DWN G. PETERS 19OCT2007<br>CHK N. REESER 11APR2008<br>APVD N. REESER 11APR2008 | Tyco Electronics<br>Harrisburg, PA 17105-3608                                                |
| DIMENSIONS:<br>mm<br>                                                                                                      | TOLERANCES UNLESS OTHERWISE SPECIFIED:<br>0 PLC ±<br>1 PLC ±0.13<br>2 PLC ±<br>3 PLC ±<br>4 PLC ±<br>ANGLES ± | NAME<br>PRODUCT SPEC<br>108-2325<br>APPLICATION SPEC<br>114-13215<br>WEIGHT    | PLUG ASSEMBLY, RIGHT ANGLE,<br>PASSIVE GUIDE, SIGNAL/POWER,<br>WITH BOARD LOCKS, MINIPAK HDL |
| MATERIAL SEE NOTE 1<br>FINISH SEE NOTE 2                                                                                   | CUSTOMER DRAWING                                                                                              | SIZE CAGE CODE DRAWING NO<br>A 100779 C=1926730                                | RESTRICTED TO<br>SCALE 4:1 SHEET 2 OF 3 REV E 6                                              |

| LOC |    | DIST |     | REVISIONS   |      |     |      |
|-----|----|------|-----|-------------|------|-----|------|
| AA  | 00 | P    | LTH | DESCRIPTION | DATE | OWN | APVD |
|     |    | -    |     | SEE SHEET 1 |      |     |      |



**2-1926730-5 SHOWN**  
**RECOMMENDED PRINTED CIRCUIT BOARD LAYOUT**   
 (AS VIEWED FROM COMPONENT SIDE)

|                                                                                                                                                                                                      |                                                                                                               |                                                                                                                                                                    |                                                                        |
|------------------------------------------------------------------------------------------------------------------------------------------------------------------------------------------------------|---------------------------------------------------------------------------------------------------------------|--------------------------------------------------------------------------------------------------------------------------------------------------------------------|------------------------------------------------------------------------|
| <small>THIS DRAWING IS UNPUBLISHED. IT IS THE PROPERTY OF TYCO ELECTRONICS CORPORATION. IT IS SUBJECT TO CHANGE AND WITHOUT WARRANTY. REVISIONS SHOULD BE CONTACTED FOR THE LATEST REVISION.</small> |                                                                                                               | DWN: G. PETERS 19OCT2007<br>CHK: N. REESER 11APR2008<br>APVD: N. REESER 11APR2008                                                                                  | Tyco Electronics<br>Harrisburg, PA 17105-3608                          |
| DIMENSIONS:<br>mm<br>                                                                                                                                                                                | TOLERANCES UNLESS OTHERWISE SPECIFIED:<br>0 PLC ±<br>1 PLC ±0.13<br>2 PLC ±<br>3 PLC ±<br>4 PLC ±<br>ANGLES ± | NAME: PLUG ASSEMBLY, RIGHT ANGLE, PASSIVE GUIDE, SIGNAL/POWER, WITH BOARD LOCKS, MINIPAK HDL<br>PRODUCT SPEC: 108-2325<br>APPLICATION SPEC: 114-13215<br>WEIGHT: - | SIZE: A<br>CAGE CODE: 00779<br>DRAWING NO: 1926730<br>RESTRICTED TO: - |
| MATERIAL: SEE NOTE 1                                                                                                                                                                                 | FINISH: SEE NOTE 2                                                                                            | CUSTOMER DRAWING                                                                                                                                                   | SCALE: 4:1 SHEET 3 OF 3 REV: E6                                        |

## X-ON Electronics

Largest Supplier of Electrical and Electronic Components

*Click to view similar products for [Heavy Duty Power Connectors](#) category:*

*Click to view products by [TE Connectivity](#) manufacturer:*

Other Similar products are found below :

[1424439](#) [1424438](#) [09330062652](#) [2-8675P1](#) [580129-2](#) [605601-1](#) [6340G1](#) [6341G1](#) [6360G1](#) [6373G1](#) [6374g2](#) [6396G1](#) [647757-1](#) [66394-4](#)  
[6643411-1](#) [6646058-2](#) [6646137-1](#) [6646138-1](#) [6646348-1](#) [6646479-1](#) [6646608-1](#) [6646786-1](#) [6646940-1](#) [6651091-1](#) [6651525-1](#) [6651529-1](#)  
[6651778-1](#) [6651788-1](#) [696465-1](#) [696475-1](#) [73000005059](#) [73000005349](#) [73000005642](#) [73080255059](#) [73080965046](#) [765-15-0080A](#)  
[765-16-0080B](#) [789.700-44](#) [789.700-54](#) [80-1010](#) [80-9](#) [827381-1](#) [829992-1](#) [902-77-02113](#) [PL00U-301-10D10](#) [PM103MOOLOO](#)  
[PM16S1620S32-50](#) [PM212MOOLOO](#) [PM309FOOLOO](#) [PM324FOOLCH](#)