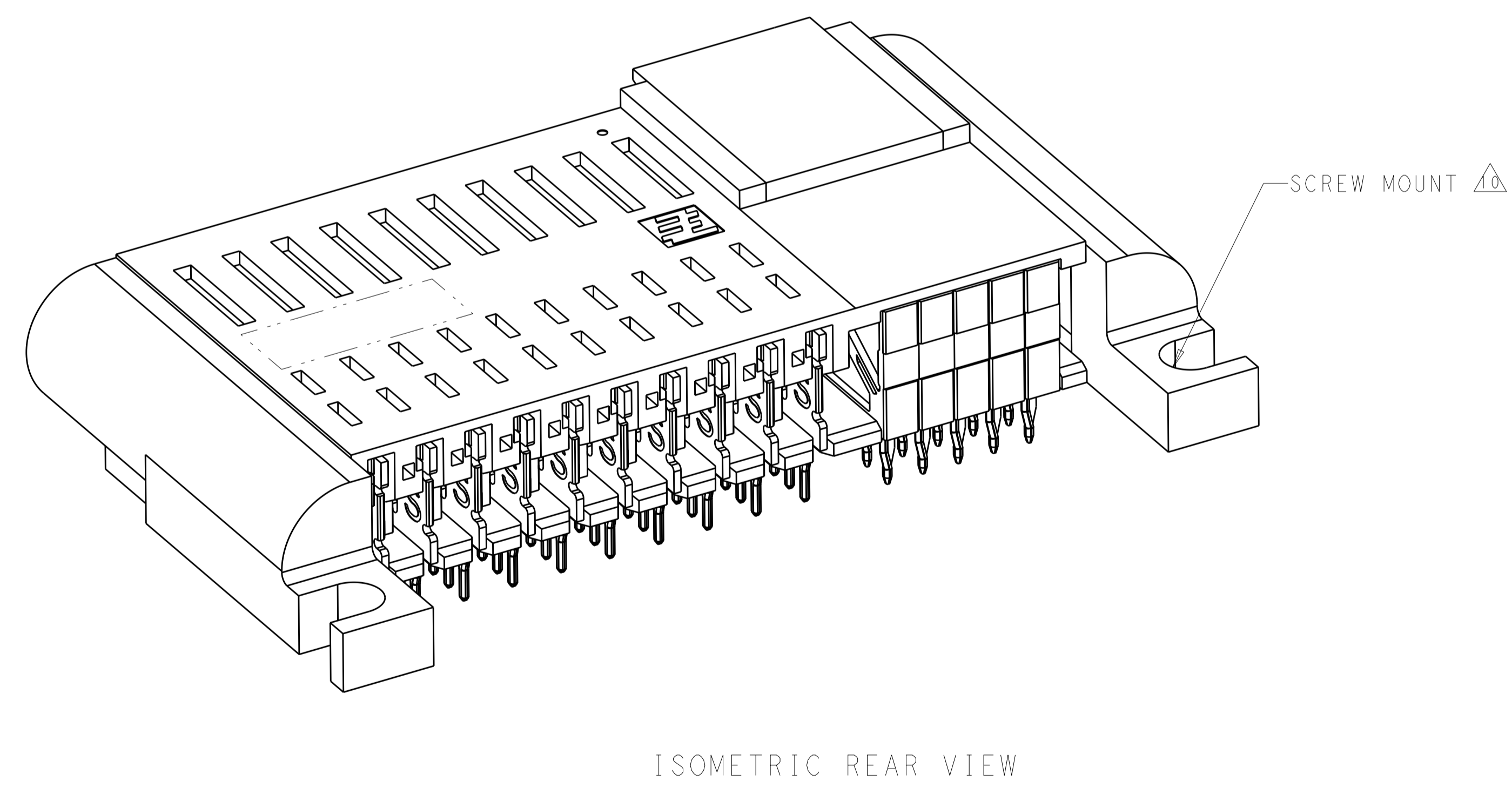
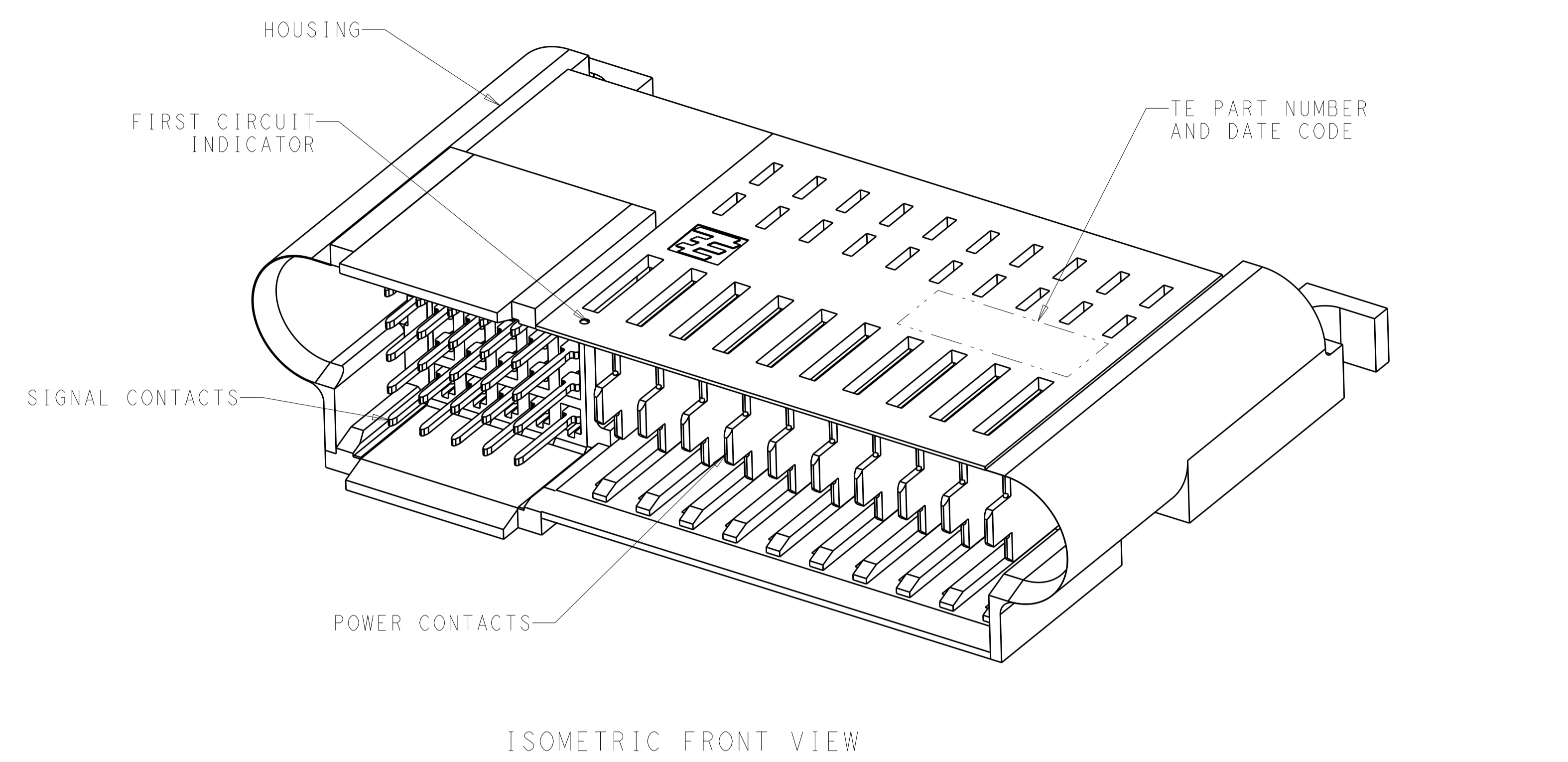


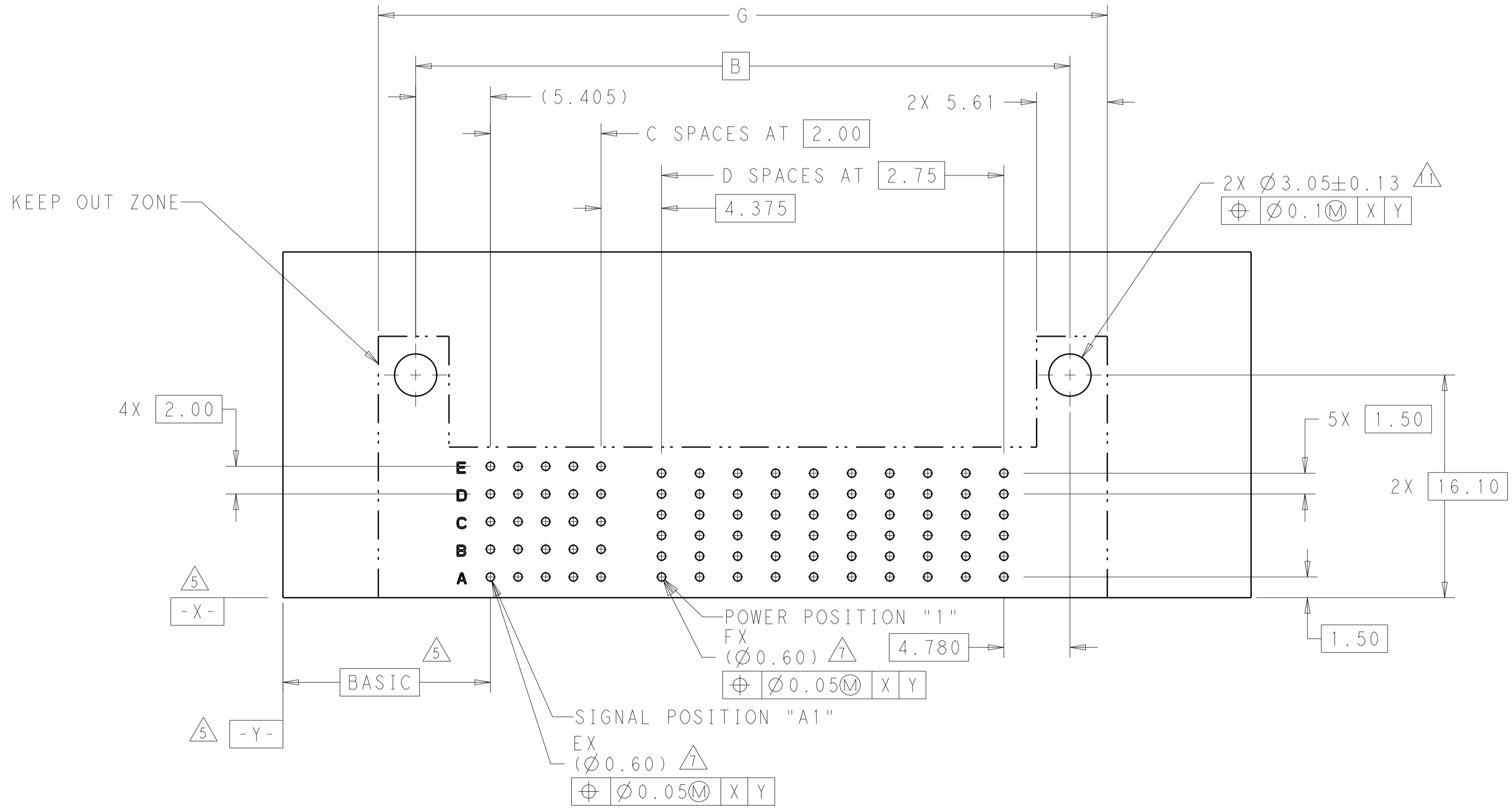
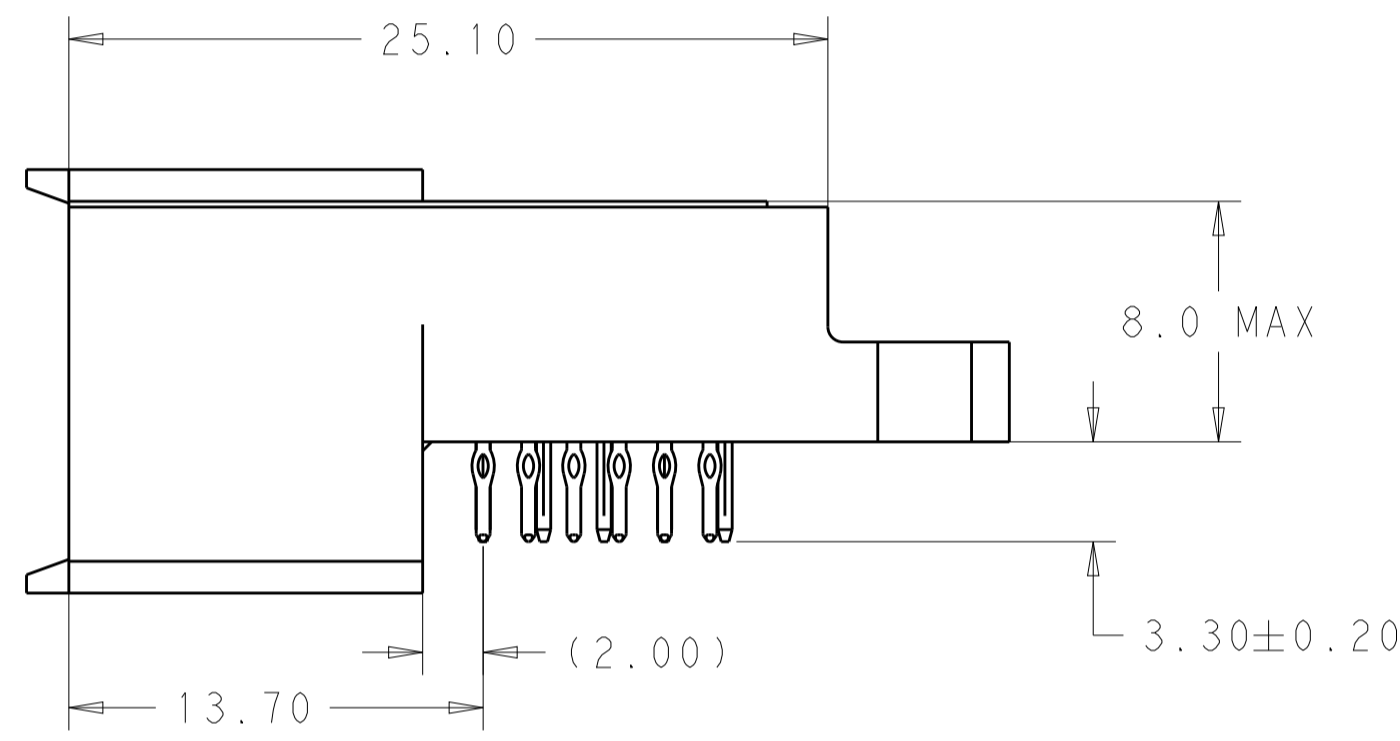
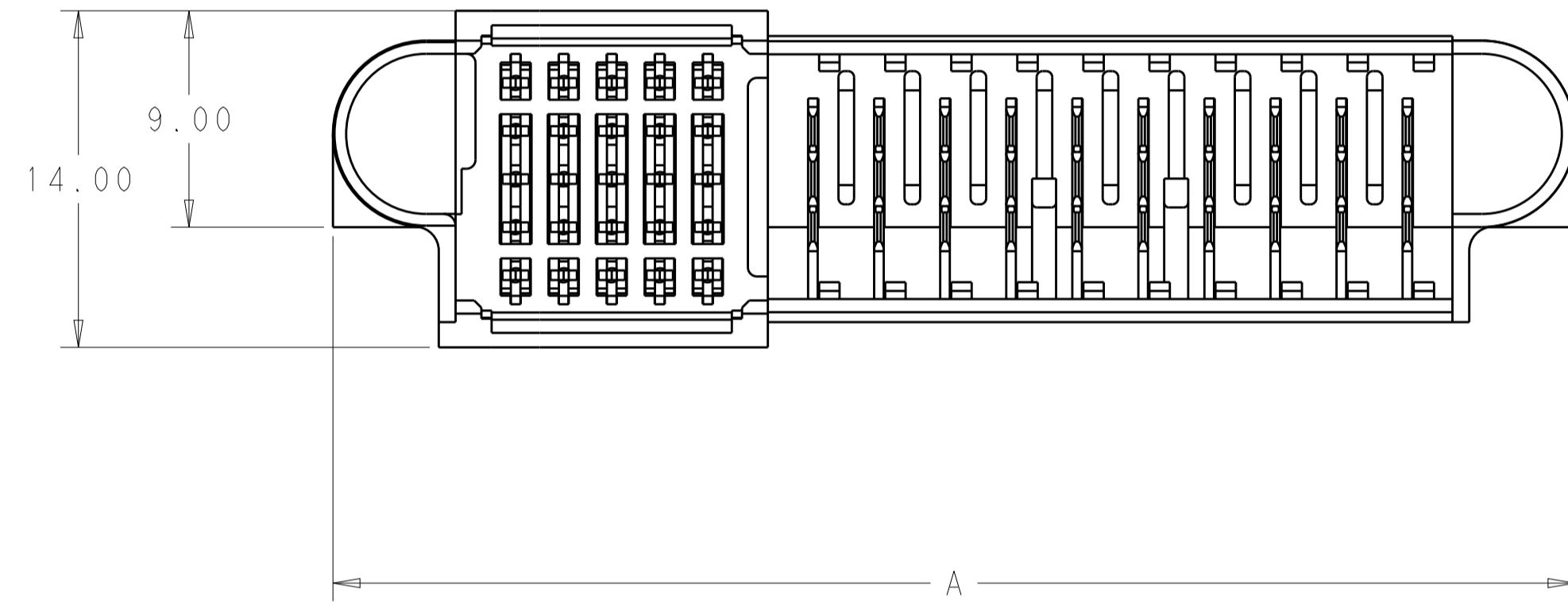
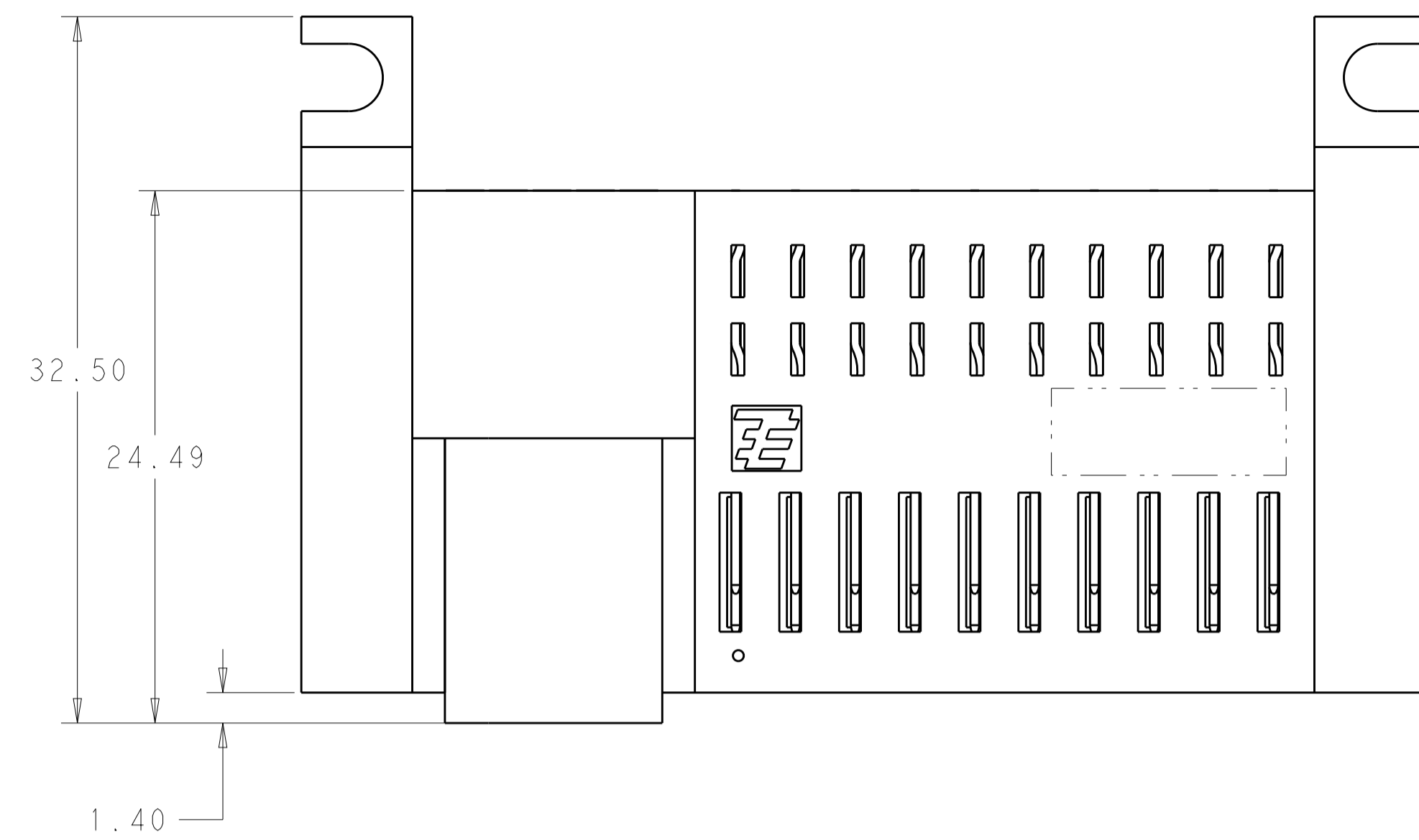
LOC		DIST		REVISIONS			
P	LTN	DESCRIPTION	DATE	DMN	APVD		
A		RELEASED	24MAR2010	RG	MS		
B		REV PER ECO-10-017024	31AUG2010	RG	MS		
C		REV PER ECO-11-006492	13APR2011	RG	MS		
C1		REV PER ECR-13-001498	28JAN2012	OL	SZ		



- △ HOUSING: GLASS FILLED LIQUID CRYSTAL POLYMER, COLOR: BLACK, UL 94V-0 RATED.
 SIGNAL CONTACT: PHOSPHOR BRONZE.
 SIGNAL OVERMOLD: GLASS FILLED POLYESTER.
 POWER CONTACT: COPPER ALLOY.
- △ SIGNAL CONTACT: 0.00127mm MIN NICKEL ALL OVER,
 MATING AREA: 0.00076mm MIN GOLD OR 0.00008mm MIN GOLD OVER
 0.00076mm MIN PALLADIUM-NICKEL.
 TAIL AREA: 0.0005mm MIN MATTE TIN.
- POWER CONTACT: 0.00127mm MIN NICKEL ALL OVER,
 MATING AREA: 0.00076mm MIN GOLD OR
 0.00008mm MIN GOLD OVER 0.00076mm MIN PALLADIUM-NICKEL,
 TAIL AREA: 0.0005mm MIN MATTE TIN.
- 3 CONTACT MATING AREA LUBRICATED WITH BELLCORE APPROVED LUBRICANT,
 TECHNICAL REFERENCE: GR-1217-CORE, ISSUE 1, NOVEMBER 1995.
- 4 CONNECTOR ASSEMBLY MARKED WITH PART NUMBER AND DATE CODE.
- △ DATUMS AND BASIC DIMENSIONS TO BE ESTABLISHED BY CUSTOMER.
- △ PC BOARD THICKNESS 1.4mm MIN.
 WAVE SOLDER PC BOARD THICKNESS 2.6S MAX
- △ SEE APPLICATION SPEC 114-13215 FOR PLATED THRU HOLE INFORMATION
- 8. SEE CUSTOMER DRAWING 1926733 OR 1926731 FOR MATING RECEPTACLE CONNECTOR.
- △ CUSTOMER TO SPECIFY LOAD PATTERNS. SEE PAGE 3 FOR WORKSHEET
- △ #4-40 UNC PAN HEAD SCREW WITH HEX NUT NOT SHOWN,
 SUPPLIED BY CUSTOMER.
- △ UNPLATED HOLES
- 12. THIS CONNECTOR EMPLOYS UL RECOGNIZED Z-PACK 2mm HM CONNECTOR
 AT SIGNALS.

<small>THE DRAWING IS CONTROLLED THROUGHOUT THE ENTIRETY OF THE PRODUCT LIFE CYCLE. ANY CHANGES TO THE DRAWING MUST BE APPROVED BY THE ORIGINAL DESIGNER AND THE ENGINEERING DEPARTMENT. ANY CHANGES TO THE DRAWING MUST BE APPROVED BY THE ORIGINAL DESIGNER AND THE ENGINEERING DEPARTMENT.</small>		DWN: G. PETERS 15FEB2010 CHK: M. SYKES 15FEB2010	Tyco Electronics Corporation Harrisburg, PA 17105-3608
DIMENSIONS: mm 	TOLERANCES UNLESS OTHERWISE SPECIFIED: 0 PLC ±. 1 PLC ±. 2 PLC ±0.13 3 PLC ±. 4 PLC ±. ANGLES ±. FINISH: #1	NAME: M. SYKES PRODUCT SPEC: 108-2325 APPLICATION SPEC: 114-13215 SIZE: A1 CAGE CODE: 00779 DRAWING NO: C=1926736	PLUG ASSEMBLY, RIGHT ANGLE, PASSIVE GUIDE, SIGNAL/POWER WITH SCREW MOUNT, SEQUENCED, MINIPAK HDL
MATERIAL: △	FINISH: △2	WEIGHT: -	Customer Drawing
SCALE: 1:1		SHEET 1 OF 4 REV: C1	

LOC		DIST		REVISIONS				
P	LTN	DATE	DMN	APVD	DESCRIPTION	DATE	DMN	APVD
-	-	-	-	-	SEE SHEET 1	-	-	-



52.71	60	25	9	4	47.31	51.71	1926736-3
52.71	60	25	9	4	47.31	51.71	1926736-2
52.71	60	25	9	4	47.31	51.71	1926736-1
G	F	E	"D"	"C"	B	A	PART NUMBER
	QTY	QTY	SPACES	SPACES			

DIMENSIONS:		TOLERANCES UNLESS OTHERWISE SPECIFIED:		DWN		15FEB2010		Tyco Electronics Corporation		
mm	0 PLC	±		G. PETERS	15FEB2010	Harrisburg, PA 17105-3608				
	1 PLC	±		CHK	M. SYKES					
	2 PLC	±	0.13	APVD						
	3 PLC	±		NAME		PLUG ASSEMBLY, RIGHT ANGLE,				
	4 PLC	±		PRODUCT SPEC		PASSIVE GUIDE, SIGNAL/POWER WITH				
	ANGLES	±	#1	APPLICATION SPEC		SCREW MOUNT, SEQUENCED, MINIPAK HDL				
MATERIAL	FINISH			SIZE		CAGE CODE		DRAWING NO		RESTRICTED TO
				114-13215		A100779		C=1926736		
				WEIGHT		Customer Drawing		SCALE		1:1
								SHEET		2
								OF		4
								REV		C1

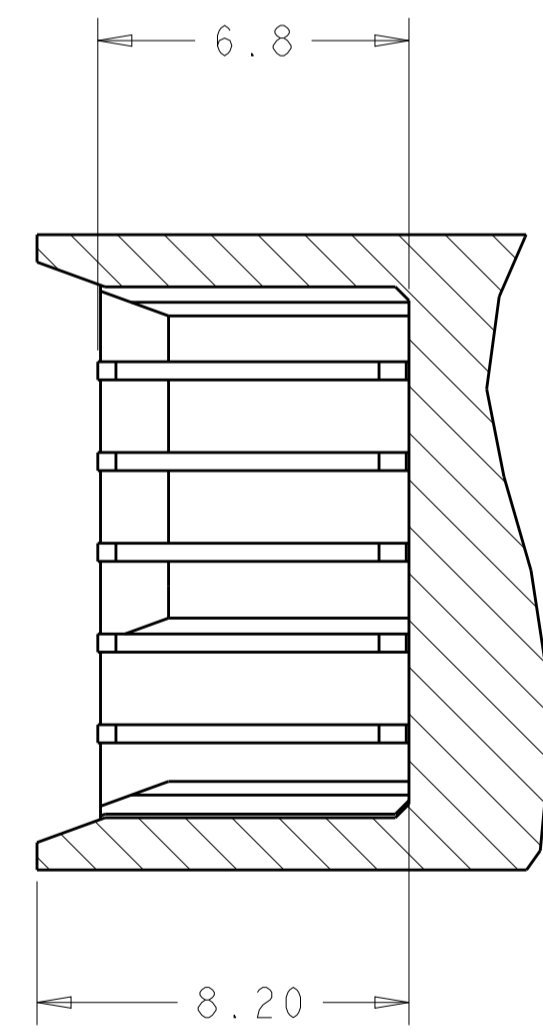
LOC	DIST	REVISIONS					
		P.	LTN	DESCRIPTION	DATE	DWN	APVD
GP	00	-	-	SEE SHEET 1	-	-	-

CUSTOM LOADING WORKSHEET FOR SIGNAL & POWER SEQUENCING LEVELS																																
MINIPAK HDL - MATING FACE OF PLUG CONNECTOR***																																
	COLUMNS																															
E																																
D																																
C																																
B																																
A																																
ROWS	1	2	3	4	5	6	7	8	1	2	3	4	5	6	7	8	9	10	11	12	13	14	15	16	17	18	19	20	21	22	23	24
	SIGNAL CHICKLETS*								POWER CONTACTS**																							

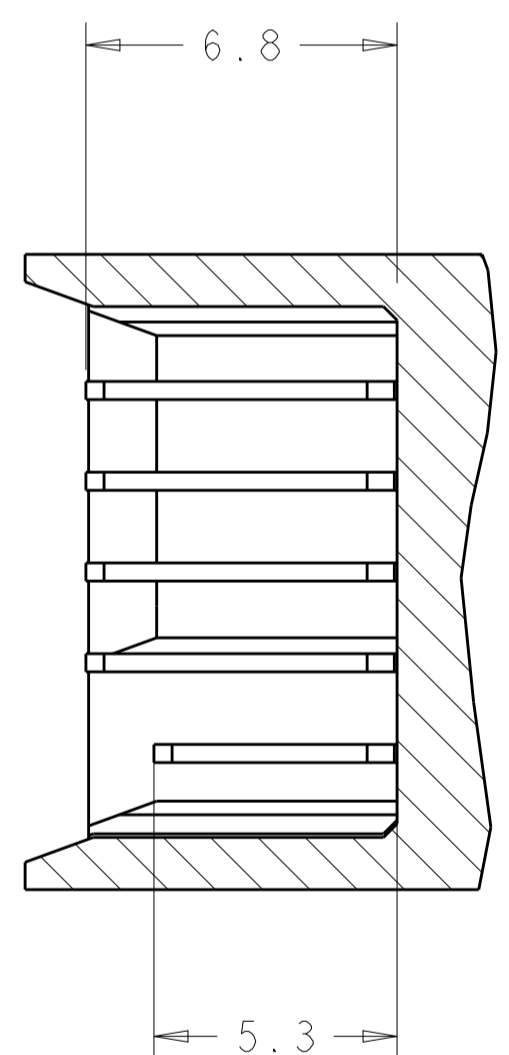
*LOAD WITH CHOICE OF 3 CHICKLETS
 SEE SECTIONS KA, KB, & KC FOR
 AVAILABLE LENGTH OPTIONS.

** LOAD WITH CHOICE OF 2 POWER
 CONTACT MATING LENGTHS, SEE SEC.
 MM FOR AVAILABLE LENGTH OPTIONS.

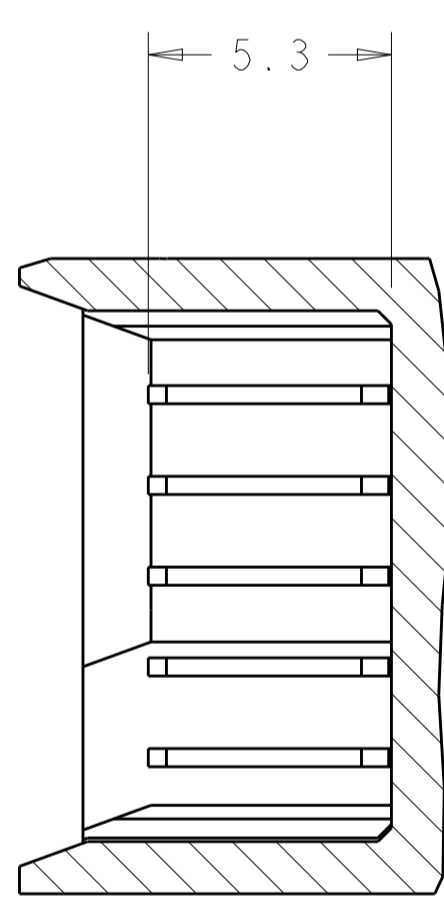
***CUSTOM LOADING WORKSHEET SHOWN AT MAXIMUM SIZE CONFIGURABLE (40S X 24P),
 SIGNALS AVAILABLE IN 2,3,4 THRU 8 POSITIONS, POWERS AVAILABLE IN 4,6,8,
 10, THRU 24 POSITIONS IN EVEN QUANTITIES ONLY.



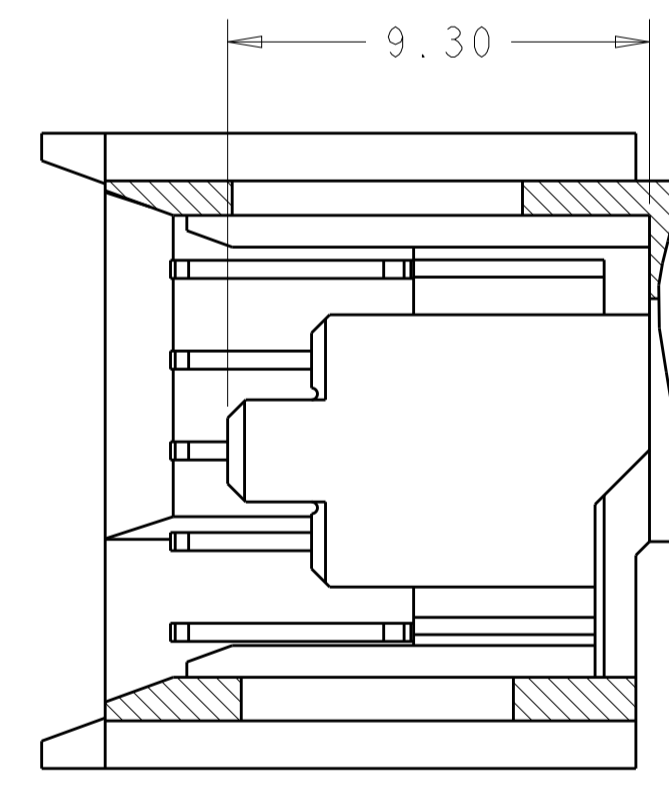
SECTION KA
 (LEVEL 2: ALL LONGEST CONTACT)



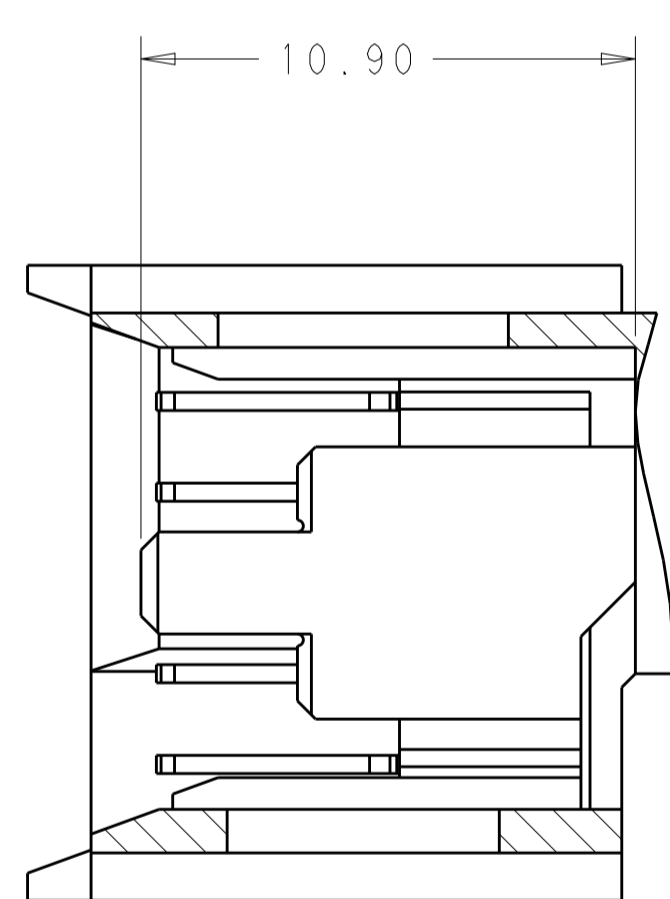
SECTION KB
 (LEVEL 12222:
 LEVEL 1 ROW "A" ONLY
 LEVEL 2 ROWS "B" THRU "E")



SECTION KC
 (LEVEL 1: SHORTEST CONTACT)



SECTION R
 LEVEL 2, SHORTEST
 MATING CONTACTS



SECTION M
 LEVEL 3, LONGEST
 MATING CONTACT

<small>THE DRAWING IS UNPUBLISHED. IT IS THE PROPERTY OF TYCO ELECTRONICS CORPORATION. IT IS TO BE USED ONLY FOR THE PROJECT AND FOR THE CUSTOMER'S USE. IT IS TO BE RETURNED TO TYCO ELECTRONICS CORPORATION WHEN NO LONGER REQUIRED FOR THE PROJECT.</small>		DWN: G. PETERS 15FEB2010 CHK: M. SYKES 15FEB2010	Tyco Electronics Corporation Harrisburg, PA 17105-3608
DIMENSIONS: mm	TOLERANCES UNLESS OTHERWISE SPECIFIED: 0 PLC ±. 1 PLC ±. 2 PLC ±0.13 3 PLC ±. 4 PLC ±. ANGLES ±1 FINISH	APVD: M. SYKES PRODUCT SPEC: 108-2325 APPLICATION SPEC: 114-13215 WEIGHT:	NAME: PLUG ASSEMBLY, RIGHT ANGLE, PASSIVE GUIDE, SIGNAL/POWER WITH SCREW MOUNT, SEQUENCED, MINIPAK HDL SIZE: A1 CAGE CODE: 00779 DRAWING NO: C=1926736
MATERIAL:		CUSTOMER DRAWING	SCALE: 1:1 SHEET: 3 OF 4 REV: C1

THIS DRAWING IS UNPUBLISHED. RELEASED FOR PUBLICATION 20
 COPYRIGHT 20 BY TYCO ELECTRONICS CORPORATION. ALL INTERNATIONAL RIGHTS RESERVED.

LOC	DIST	REVISIONS			
P	LTN	DESCRIPTION	DATE	OWN	APVD
-	-	SEE SHEET 1	-	-	-

PART NUMBER	ROWS	SIGNALS					POWERS									
		1	2	3	4	5	1	2	3	4	5	6	7	8	9	10
1926736-1	A	KA	KA	2	2	2	R	R	R	R	R	R	R	R	R	R
	B	2	3	2	2	2	R	R	R	R	R	R	R	R	R	R
25S X 10P																

-1 PRELIMINARY

PART NUMBER	ROWS	SIGNALS					POWERS									
		1	2	3	4	5	1	2	3	4	5	6	7	8	9	10
1926736-2	A	KA	KA	KB	KA	KA	R	R	R	R	R	R	R	R	R	R
	B	KA	KA	KB	KA	KA	R	R	R	R	R	R	R	R	R	R
25S X 10P																

PART NUMBER	ROWS	SIGNALS					POWERS									
		1	2	3	4	5	1	2	3	4	5	6	7	8	9	10
1926736-3	A	KA	KA	KA	KA	KC	R	R	R	R	R	R	R	R	R	R
	B	KA	KA	KA	KA	KC	R	R	R	R	R	R	R	R	R	R
25S X 10P																

<small>THE DRAWING IS UNPUBLISHED. IT IS THE PROPERTY OF TYCO ELECTRONICS CORPORATION. IT IS TO BE USED ONLY FOR THE PURPOSES AND LIMITATIONS SPECIFIED HEREIN. SHOULD BE CONTACTED FOR THE LATEST REVISION.</small>		DWN: G. PETERS 15FEB2010 CHK: M. SYKES 15FEB2010 APVD: M. SYKES	Tyco Electronics Corporation Harrisburg, PA 17105-3608
DIMENSIONS: mm	TOLERANCES UNLESS OTHERWISE SPECIFIED: 0 PLC ± 1 PLC ±0.13 2 PLC ± 3 PLC ± 4 PLC ± ANGLES ±1 FINISH	NAME: M. SYKES PRODUCT SPEC: 108-2325 APPLICATION SPEC: 114-13215 WEIGHT: - Customer Drawing	PLUG ASSEMBLY, RIGHT ANGLE, PASSIVE GUIDE, SIGNAL/POWER WITH SCREW MOUNT, SEQUENCED, MINIPAK HDL SIZE: A1 CAGE CODE: 00779 DRAWING NO: 1926736 RESTRICTED TO: C1
MATERIAL: - FINISH: -		SCALE: 1:1 SHEET: 4 OF 4	REV: C1

X-ON Electronics

Largest Supplier of Electrical and Electronic Components

Click to view similar products for [Hard Metric Connectors](#) category:

Click to view products by [TE Connectivity](#) manufacturer:

Other Similar products are found below :

[6345127-1](#) [646916-9](#) [6469658-1](#) [973108](#) [1-2000713-0](#) [1-2000713-2](#) [1-2000713-3](#) [1645343-1](#) [1645456-1](#) [1645594-1](#) [1645595-1](#) [1645601-1](#)
[1934822-1](#) [278071110010833](#) [1645179-1](#) [1645245-1](#) [1645457-1](#) [1645525-1](#) [1645570-1](#) [1645596-1](#) [17041102202](#) [1857470-1](#) [1934275-1](#)
[1934289-1](#) [1934759-1](#) [2000673-1](#) [2170292-2](#) [2-536642-6](#) [3-106015-1](#) [352188-1](#) [352629-1](#) [5120823-1](#) [5120899-1](#) [3-100145-0](#) [3-100147-0](#)
[3-100669-1](#) [3-106081-0](#) [HM2DK2368PLF](#) [5646530-1](#) [3-352049-0](#) [3-352069-0](#) [3-352115-0](#) [3-352638-0](#) [352189-1](#) [3-646357-0](#) [3-646487-0](#)
[3-646513-0](#) [106726-1](#) [114352](#) [114619](#)