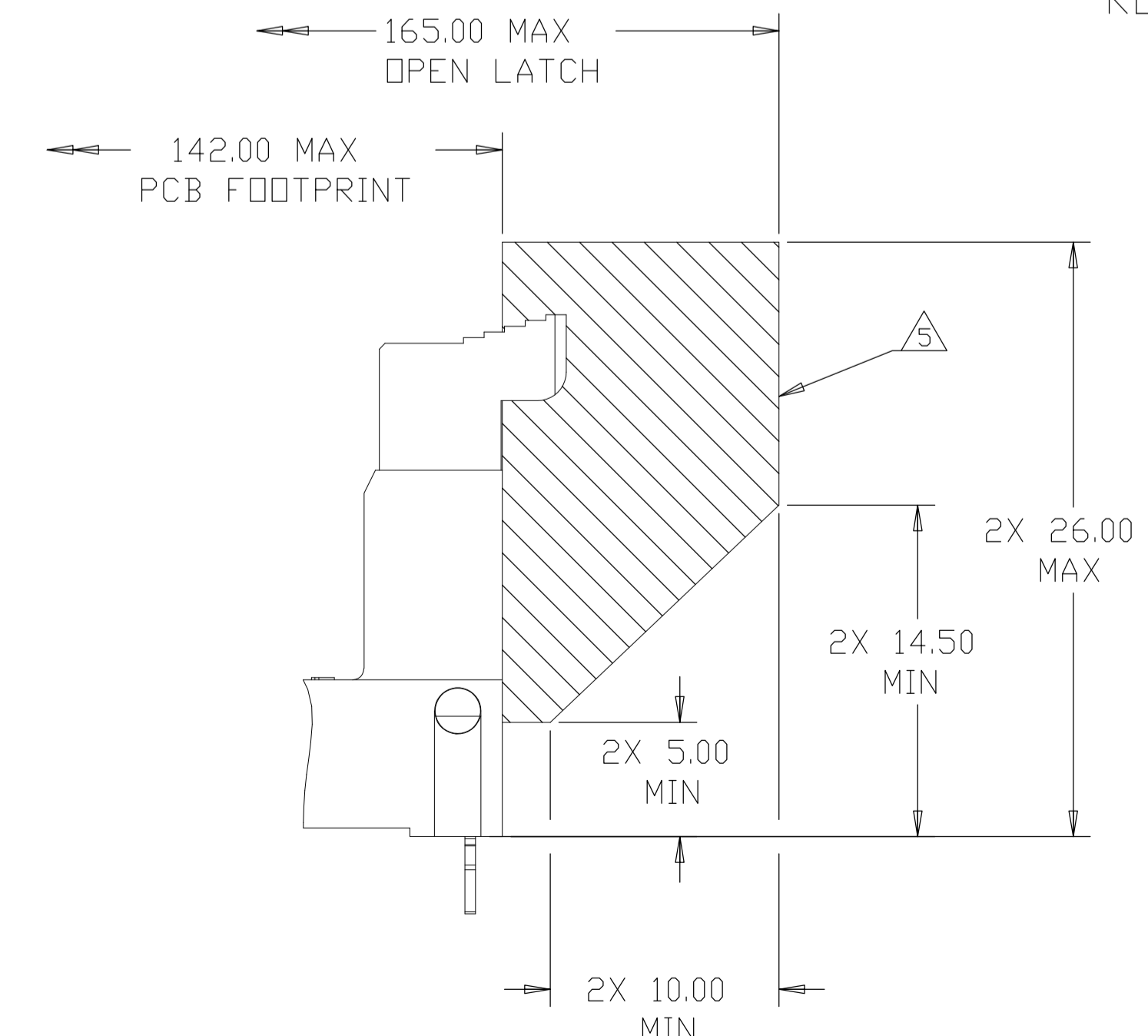


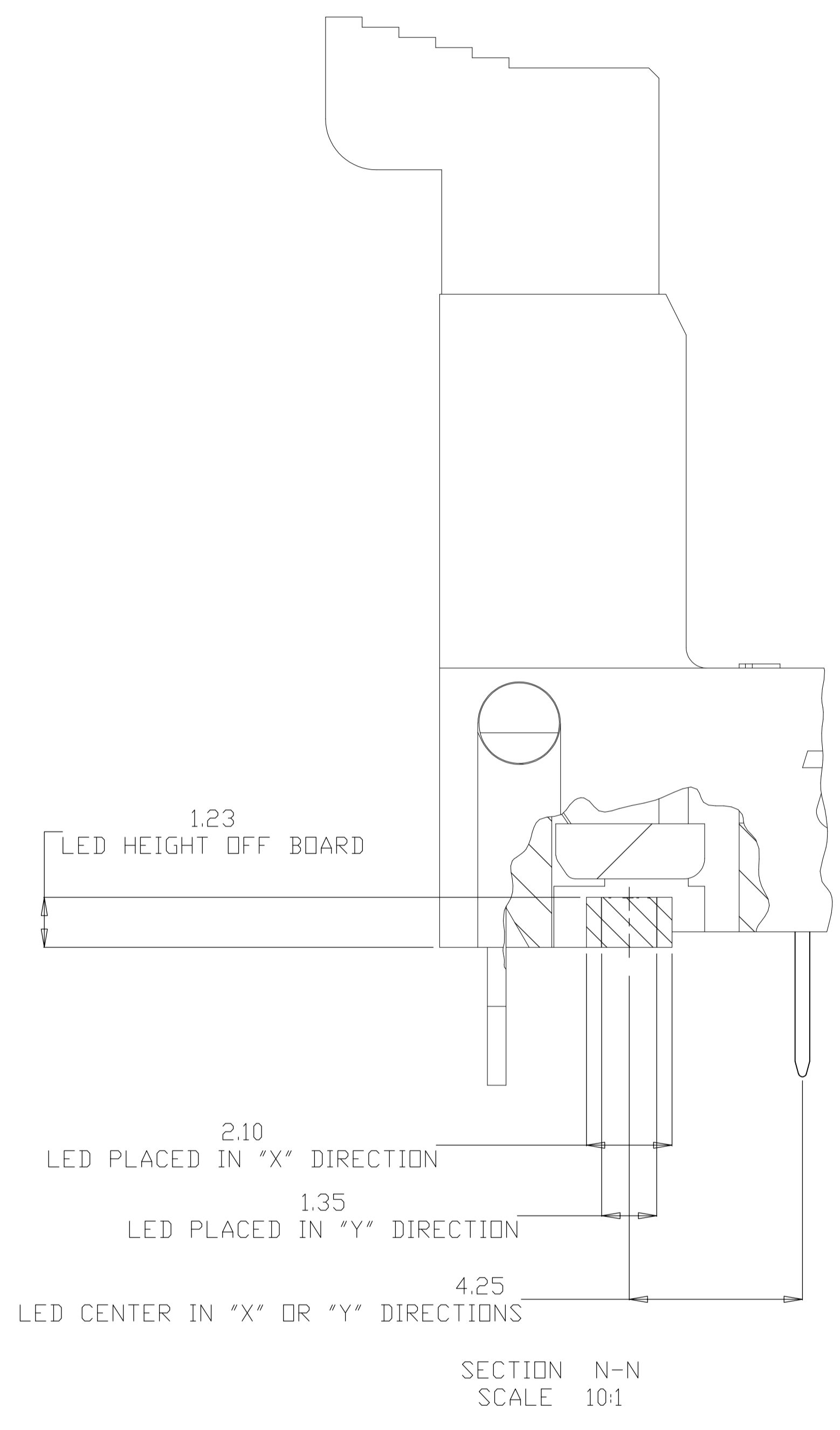
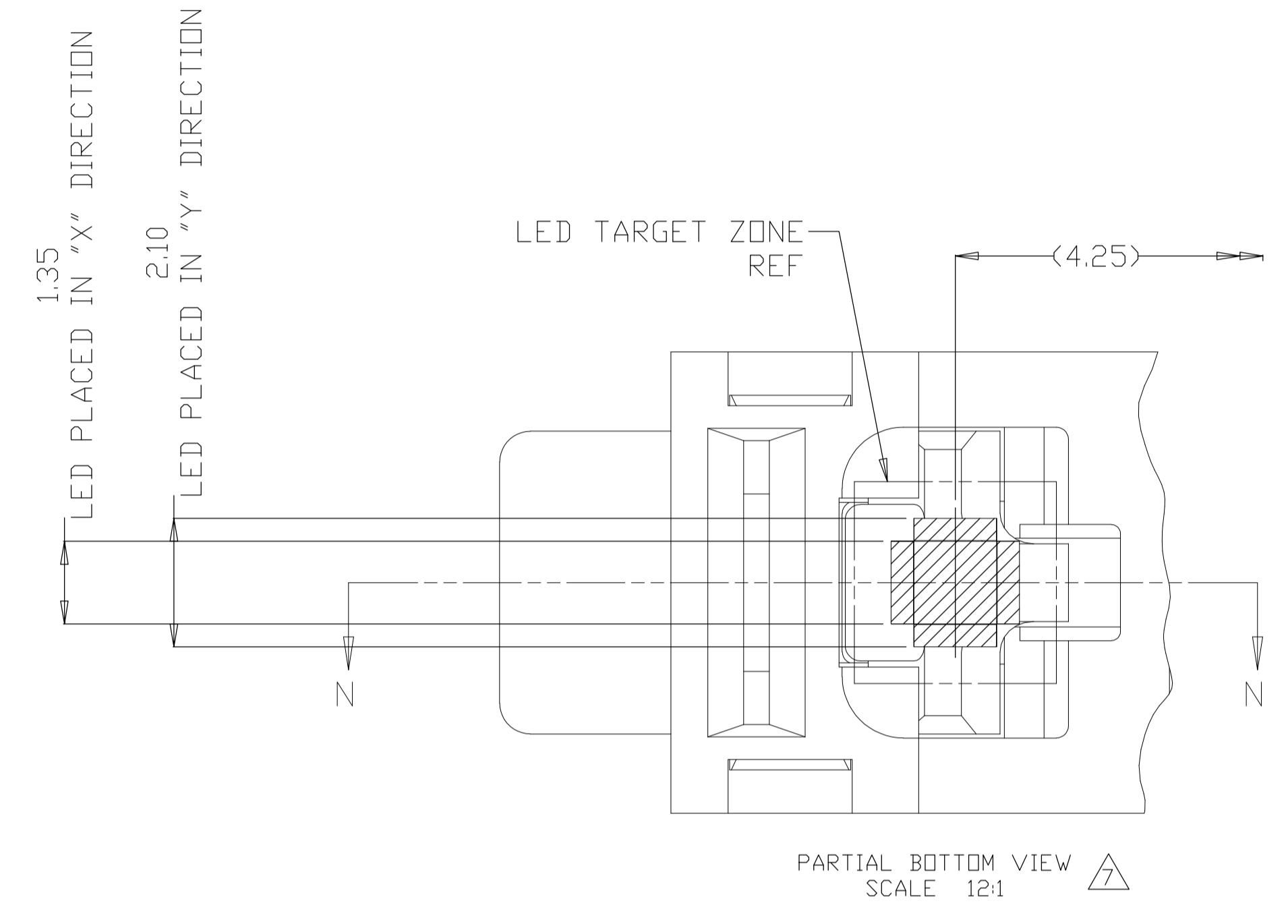
RETENTION BARB TYPE SHOWN ON ALL SHEET UNLESS OTHERWISE NOTED



- MATERIALS:**
 HOUSING: HIGH TEMPERATURE NYLON, UL94 V-0
 EXTRACTOR: HIGH TEMPERATURE NYLON, UL94 V-0
 CONTACTS: COPPER ALLOY
 RETENTION BARB: BRASS, TIN PLATED
- INTERFACE FINISH:**
 (1) 0.00038 MIN THK GOLD OVER 0.00127 MIN THK NICKEL.
 (2) 0.00008 MIN THK GOLD OVER 0.00127 MIN THK NICKEL.
 (3) 0.00076 MIN THK GOLD OVER 0.00127 MIN THK NICKEL.
 (4) 0.00051 MIN THK GOLD OVER 0.00127 MIN THK NICKEL.
- FINISHED HOLE SIZE.** 0.15 MAXIMUM ANNULAR RING.
KEEP OUT ZONE.
 KEEP OUT AREA RESERVED FOR SOCKET EXTRACTORS, BOTH ENDS.
SOLDERTAIL FINISH:
 0.00300 MIN THK MATTE TIN OVER 0.00127 MIN THK NICKEL.
LED LOCATION AS APPLICABLE PER CUSTOMER.
DATUM -G- IS CONNECTOR SIDE SURFACE OF PCB.

PLEASE CHECK SHEET 2 FOR PART LIST

THIS DRAWING IS A CONTROLLED DOCUMENT.			DIN SANDERS YAN 21AUG2007		TE Connectivity	
DIMENSIONS: mm			CHK LEO ZHOU 21AUG2007			
TOLERANCES UNLESS OTHERWISE SPECIFIED:			APVD STEVEN YAO 21AUG2007		PRODUCT SPEC	
0. PLC ± - 1. PLC ± 0.5 2. PLC ± 0.13 3. PLC ± 0.013 4. PLC ± 0.0001 ANGLES ± -			APPLICATION SPEC 108-60071		SOCKET ASSEMBLY, VERTICAL DDR3 DIMM, SOLDER TAIL, 240 POSITION, LOWER RESISTANCE TYPE	
MATERIAL			WEIGHT		SIZE	
FINISH			CUSTOMER DRAWING		SCALE 4:1 SHEET 1 OF 4 REV C8	

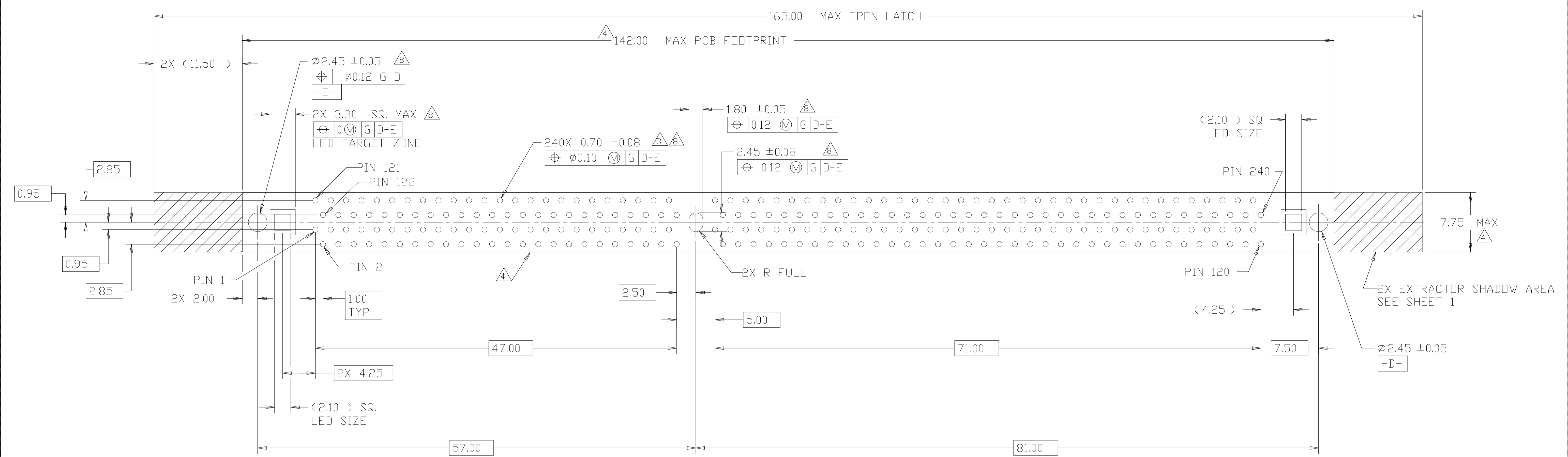


RETENTION BARB	NATURAL	BLUE<2935U>	0.00038 MIN <15u''>	2.67	6-1932031-2
	BLACK	BLACK	0.00051 MIN <20u''>	2.67	6-1932031-1
	NATURAL	BLACK	0.00051 MIN <20u''>	2.67	6-1932031-0
	NATURAL	NATURAL	0.00076 MIN <30u''>	3.18	5-1932031-9
		BLUE<2935U>	0.00038 MIN <15u''>	3.18	5-1932031-8
	BLACK	BLACK	0.00076 MIN <30u''>	4.00	5-1932031-2
				3.18	5-1932031-1
	NATURAL	BLUE<284C>	0.00038 MIN <15u''>	3.18	4-1932031-9
		BLACK		3.18	4-1932031-7
	NATURAL	GREEN<368C>	0.00038 MIN <15u''>	3.18	3-1932031-4
	NATURAL	BLUE<284C>	0.00038 MIN <15u''>	3.18	2-1932031-6
				2.67	2-1932031-5
	BLACK	BLACK	0.00008 MIN <3u''>	2.67	1-1932031-6
				4.00	1-1932031-5
	NATURAL	BLACK	0.00038 MIN <15u''>	4.00	1-1932031-2
3.18				1-1932031-1	
2.67				1-1932031-0	
NATURAL	NATURAL	0.00008 MIN <3u''>	2.67	1932031-7	
			3.18	1932031-5	
			2.67	1932031-4	
HOUSING STYLE	EXTRACTOR COLOR	HOUSING COLOR	CONTACT GOLD INTERFACE	TAIL LENGTH	PART NUMBER

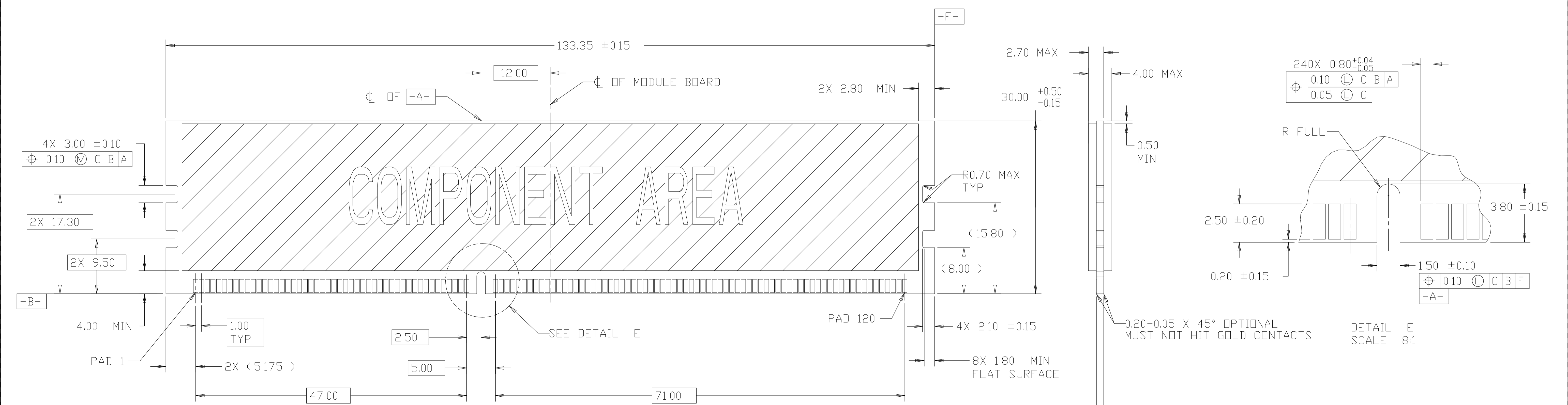
THIS DRAWING IS A CONTROLLED DOCUMENT.

DIMENSIONS: mm 0. PLC ± - 1. PLC ± 0.5 2. PLC ± 0.13 3. PLC ± 0.013 4. PLC ± 0.0001 ANGLES ± -	TOLERANCES UNLESS OTHERWISE SPECIFIED: 0. PLC ± - 1. PLC ± 0.5 2. PLC ± 0.13 3. PLC ± 0.013 4. PLC ± 0.0001 ANGLES ± -	DMN SANDERS YAN 21AUG2007 CHK LEO ZHOU 21AUG2007 APVD STEVEN YAO 21AUG2007	NAME SOCKET ASSEMBLY, VERTICAL DDR3 DIMM, SOLDER TAIL, 240 POSITION, LOWER RESISTANCE TYPE PRODUCT SPEC 108-60071 APPLICATION SPEC 114-13154 SIZE A1 CAGE CODE 1932031 DRAWING NO. 00779	RESTRICTED TO CUSTOMER DRAWING SCALE 4:1 SHEET 2 OF 4 REV C8
--	--	--	--	--

STE TE Connectivity

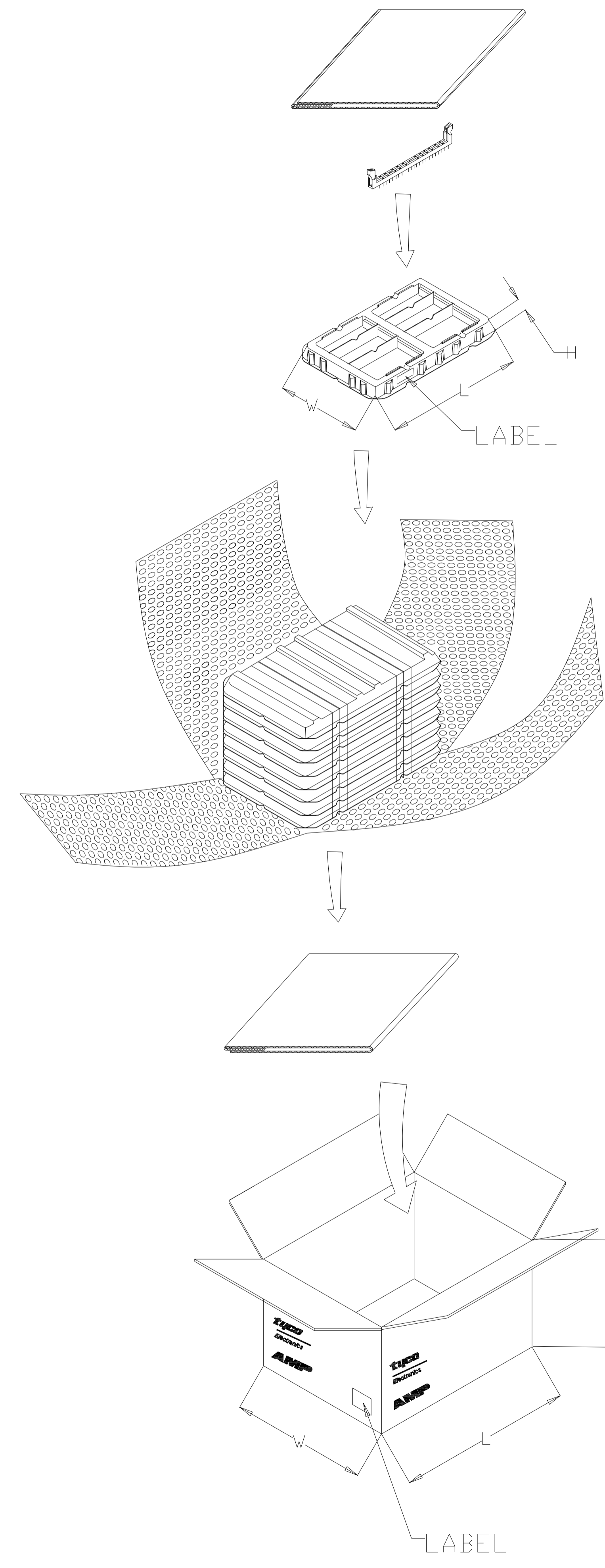


RECOMMENDED PCB LAYOUT VIEWED FROM CONNECTOR SIDE



RECOMMENDED MODULE LAYOUT SCALE 3:1 REFER TO JEDEC MD-269 FOR COMPLETE MODULE DETAILS

THIS DRAWING IS A CONTROLLED DOCUMENT.		DN SANDERS, YAN 21AUG2007	TE Connectivity
DIMENSIONS: mm		CHK LEO ZHOU 21AUG2007	
TOLERANCES UNLESS OTHERWISE SPECIFIED:		APVD STEVEN YAO 21AUG2007	NAME
0. PLC ± -	1. PLC ± 0.50	PRODUCT SPEC	SOCKET ASSEMBLY, VERTICAL DDR3 DIMM, SOLDER TAIL, 240 POSITION, LOWER RESISTANCE TYPE
2. PLC ± 0.15	3. PLC ± 0.013	APPLICATION SPEC	108-60071
4. PLC ± 0.0001	ANGLES ± -	SIZE	114-13154
MATERIAL	FINISH	WEIGHT	SCALE 4:1
		CAGE CODE	DRAWING NO
		100779	1932031
		CUSTOMER DRAWING	RESTRICTED TO
		SCALE 4:1	SHEET 3 OF 4
		REV	C8



BOTTOM TRAY

TRAY

CARTON

NOTES:

1. MATERIAL:
 - 1.1 TRAY: PVC
 - 1.2 SHIPPING CARTON : CORRUGATED FIBERBOARD
2. DIMENSION :
 - 2.1 TRAY : L=363, W=255, H=33
 - 2.2 SHIPPING CARTON : L=375, W=265, H=280
3. QUANTITY :
 - 3.1 PRIMARY PACKING : 50 PCS/TRAY
 - 3.2 SECONDARY PACKING : 8 TRAY/CARTON(400PCS)
4. WEIGHT :
 - 4.1 NET WEIGHT : 3.76 KG
 - 4.2 GROSS WEIGHT: 6.00 KG

THIS DRAWING IS A CONTROLLED DOCUMENT.		DSN SANDERS YAN 21AUG2007 CHK LEO ZHOU 21AUG2007 APVD STEVEN YAO 21AUG2007	TE Connectivity	
DIMENSIONS: mm 0. PLC ± - 1. PLC ± 0.50 2. PLC ± 0.13 3. PLC ± 0.013 4. PLC ± 0.0001 ANGLES ± -		PRODUCT SPEC 108-60071 APPLICATION SPEC 114-13154	NAME SOCKET ASSEMBLY, VERTICAL DDR3 DIMM,SOLDER TAIL, 240 POSITION,LOWER RESISTANCE TYPE	
MATERIAL - FINISH - DIMENSIONS: mm 0. PLC ± - 1. PLC ± 0.50 2. PLC ± 0.13 3. PLC ± 0.013 4. PLC ± 0.0001 ANGLES ± -		WEIGHT - CUSTOMER DRAWING	SIZE A1 CAGE CODE 00779 DRAWING NO. 1932031	RESTRICTED TO - SCALE -- SHEET 4 OF 4 REV C8

X-ON Electronics

Largest Supplier of Electrical and Electronic Components

Click to view similar products for [DIMM Connectors](#) category:

Click to view products by [TE Connectivity](#) manufacturer:

Other Similar products are found below :

[1-1932649-2](#) [1-1761024-0](#) [296409204002856+](#) [1932180-2](#) [10086891-052TSLF](#) [59355-052FSLF](#) [5390471-1](#) [2309413-3](#) [10033853-052ASLF](#)
[87782-6003](#) [KIT-SODIMM-1X16GB/01](#) [10129206-0010013LF](#) [2309409-2](#) [0780350001](#) [0780350301](#) [0783150011](#) [0878030012](#)
[75.963AT.G020C](#) [78.B1GDE.AF1](#) [10078239-11103LF](#) [6-390322-1](#) [2013311-1](#) [2309410-1](#) [10116658-152FSLF](#) [1-1735438-3](#) [1-1735413-1](#)
[78730-1002](#) [78726-1002](#) [2013310-1](#) [390111-1](#) [1735438-3](#) [78373-0011](#) [2308107-1](#) [2-2308107-1](#) [2309411-1](#) [5-1746530-4](#) [2309408-1](#)
[2309409-1](#) [151134-0001](#) [296406200001856+](#) [2309407-1](#) [FCN-074J240-G/1D](#) [FCN-074B288-G/2D](#) [2309414-1](#) [10081530-12208LF](#) [151080-](#)
[0001](#) [78321-0001](#) [78726-1004](#) [87705-1053](#) [19320](#)