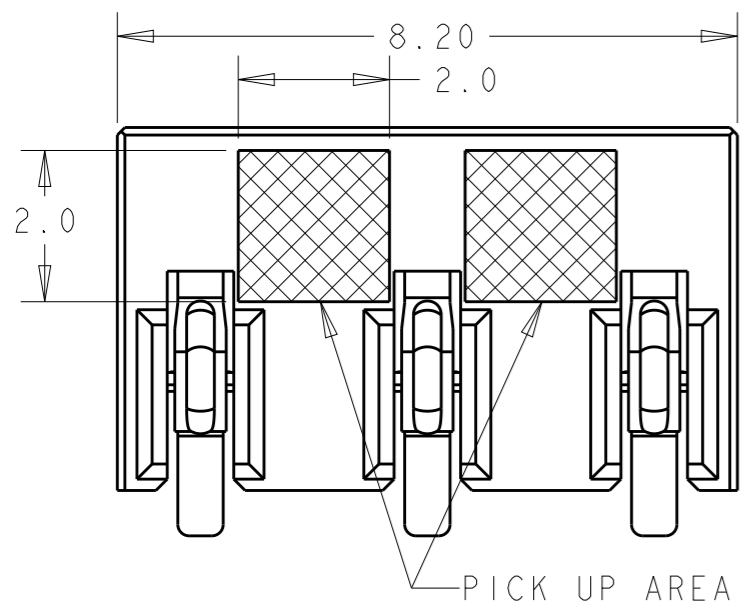


THIS DRAWING IS UNPUBLISHED. RELEASED FOR PUBLICATION 20
 © COPYRIGHT 20 BY TYCO ELECTRONICS CORPORATION. ALL RIGHTS RESERVED.

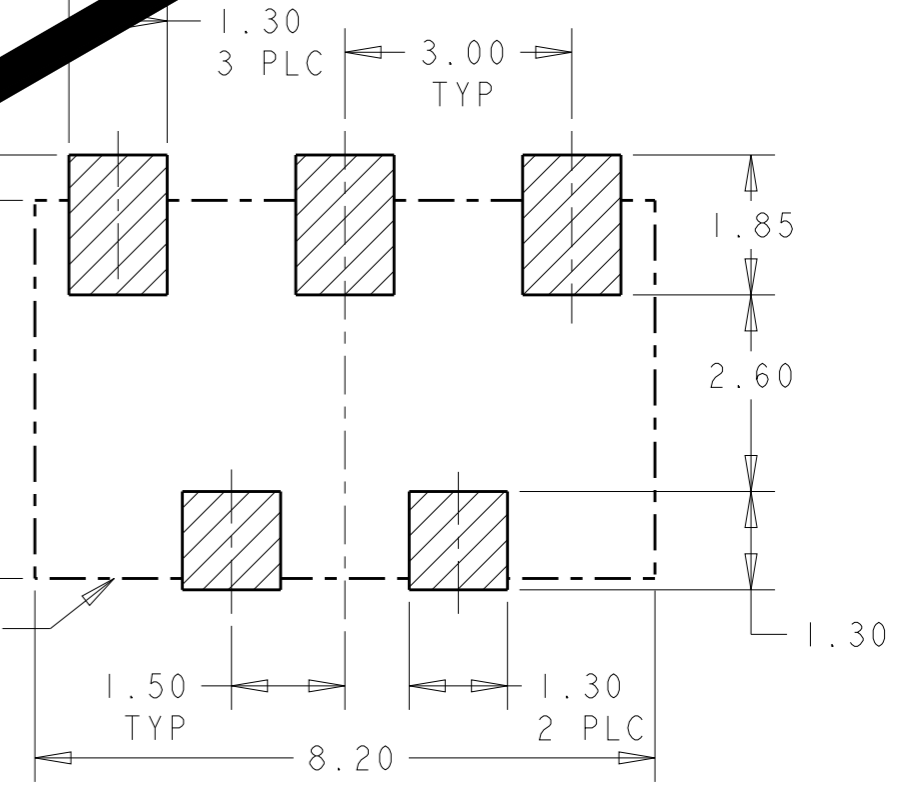
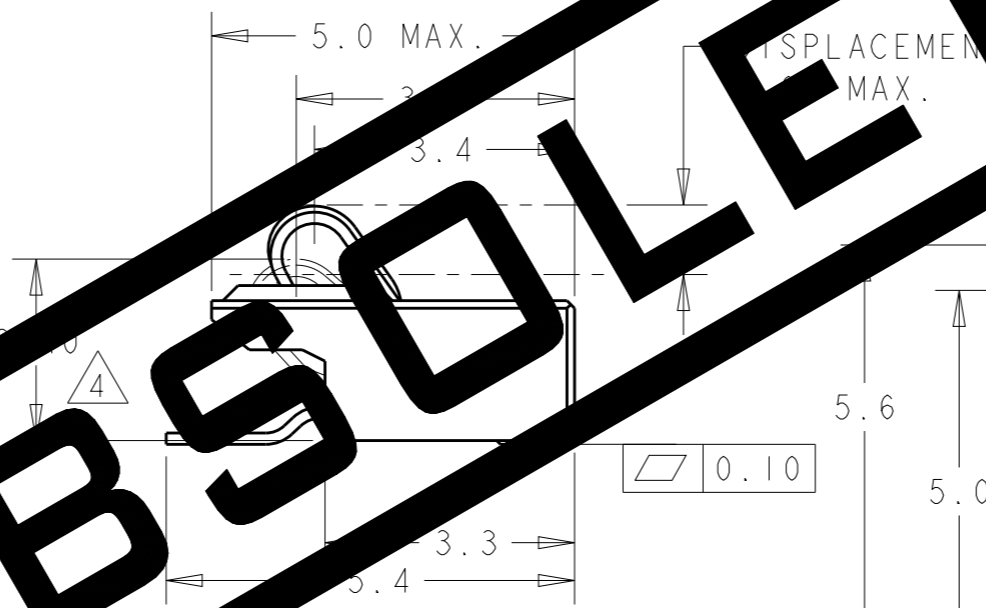
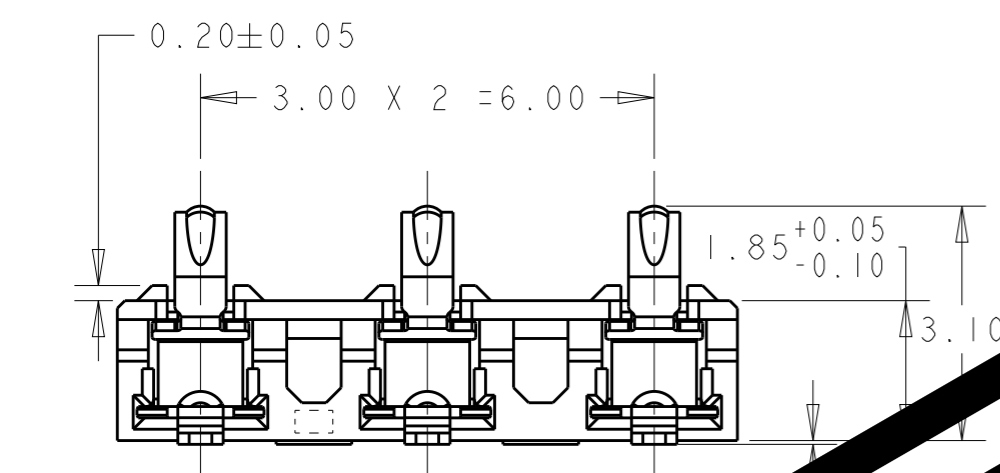
LOC	DIST	REVISIONS			
P	LTR	DESCRIPTION	DATE	DWN	APVD
ES	00	A2	OBSOLETE ECO-18-012430	04SEP18	K.G W.H



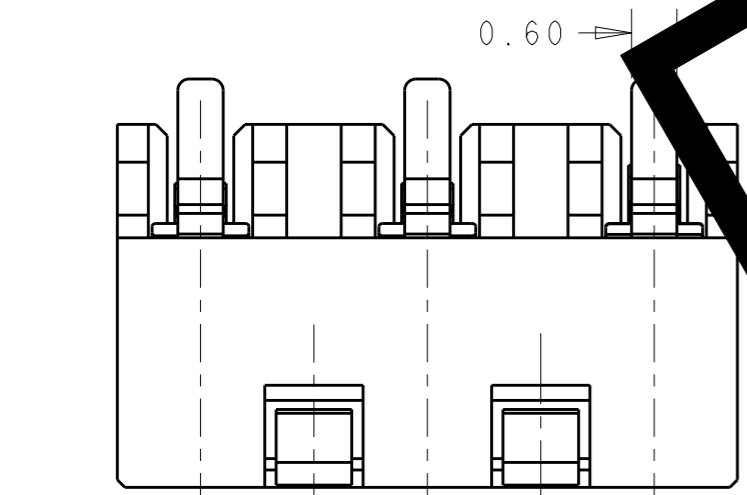
- 1 MATERIAL:
CONTACT: COPPER ALLOY.
HOUSING: THERMOPLASTIC BLACK LCP OR EQUIVALENT, UL 94V-0.
- 2 FINISH: 15 MICROINCH (0.38 MICRON) GOLD PLATING ON CONTACT AREA,
GOLD FLASH PLATING ON SOLDER AREA,
OVER 50 MICROINCH (1.27 MICRON) NICKEL PLATING OVERALL.
- 3 PRODUCT TO BE PACKAGED IN ANTI-STATIC TAPE AND REEL.
- 4 NORMAL FORCE IS 80g MIN. WHEN A CONTACT PRESSURE TO THE POSITION.

1932076-1 AS SHOWN

OBSOLETE



RECOMMENED PCB LAYOUT (TOLERANCE ±0.05)



<small>THIS DRAWING IS A CONTROLLED DOCUMENT FOR TYCO ELECTRONICS CORPORATION. IT IS SUBJECT TO CHANGE AND THE CONTROLLING ENGINEERING ORGANIZATION SHOULD BE CONTACTED FOR THE LATEST REVISION.</small>		DWN 06-NOV-07 Lesson, Li		Tyco Electronics Shanghai, P.R.China, 200233	
DIMENSIONS: mm		TOLERANCES UNLESS OTHERWISE SPECIFIED: 0 PLC ±- 1 PLC ±0.2 2 PLC ±0.10 3 PLC ±0.05 4 PLC ±- ANGLES ±-		NAME 3.0mm PITCH 3 PIN SMT TYPE BATTERY CONNECTOR HEIGHT=3.15mm	
MATERIAL SEE NOTES 1		FINISH SEE NOTES 2 3		PRODUCT SPEC 108-60068	
WEIGHT -		APPLICATION SPEC -		SIZE A3 CAGE CODE 0079 DRAWING NO C-1932076 RESTRICTED TO	
CUSTOMER DRAWING				SCALE 15:1 SHEET 1 OF 1 REV A2	

X-ON Electronics

Largest Supplier of Electrical and Electronic Components

Click to view similar products for [DIMM Connectors](#) category:

Click to view products by [TE Connectivity](#) manufacturer:

Other Similar products are found below :

[1-1932649-2](#) [1-1761024-0](#) [296409204002856+](#) [1932180-2](#) [10086891-052TSLF](#) [59355-052FSLF](#) [5390471-1](#) [2309413-3](#) [10033853-052ASLF](#)
[87782-6003](#) [KIT-SODIMM-1X16GB/01](#) [10129206-0010013LF](#) [2309409-2](#) [0780350001](#) [0780350301](#) [0783150011](#) [0878030012](#)
[75.963AT.G020C](#) [78.B1GDE.AF1](#) [10078239-11103LF](#) [6-390322-1](#) [2013311-1](#) [2309410-1](#) [10116658-152FSLF](#) [1-1735438-3](#) [1-1735413-1](#)
[78730-1002](#) [78726-1002](#) [2013310-1](#) [390111-1](#) [1735438-3](#) [78373-0011](#) [2308107-1](#) [2-2308107-1](#) [2309411-1](#) [5-1746530-4](#) [2309408-1](#)
[2309409-1](#) [151134-0001](#) [296406200001856+](#) [2309407-1](#) [FCN-074J240-G/1D](#) [FCN-074B288-G/2D](#) [2309414-1](#) [10081530-12208LF](#) [151080-0001](#) [78321-0001](#) [78726-1004](#) [87705-1053](#) [19320](#)