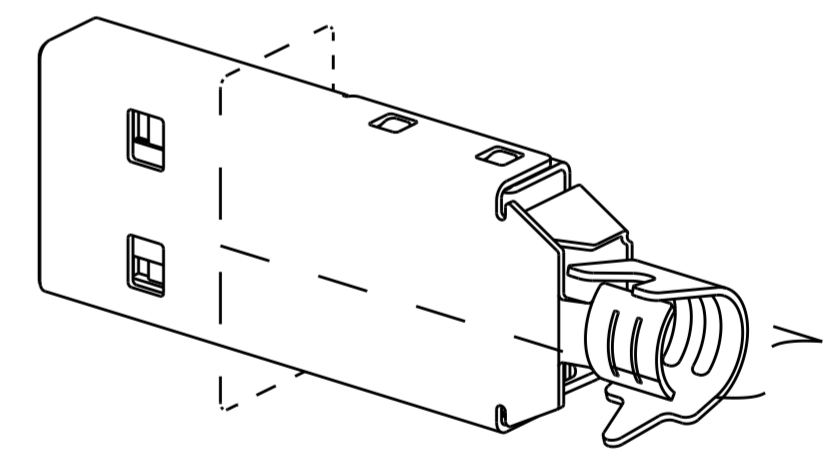
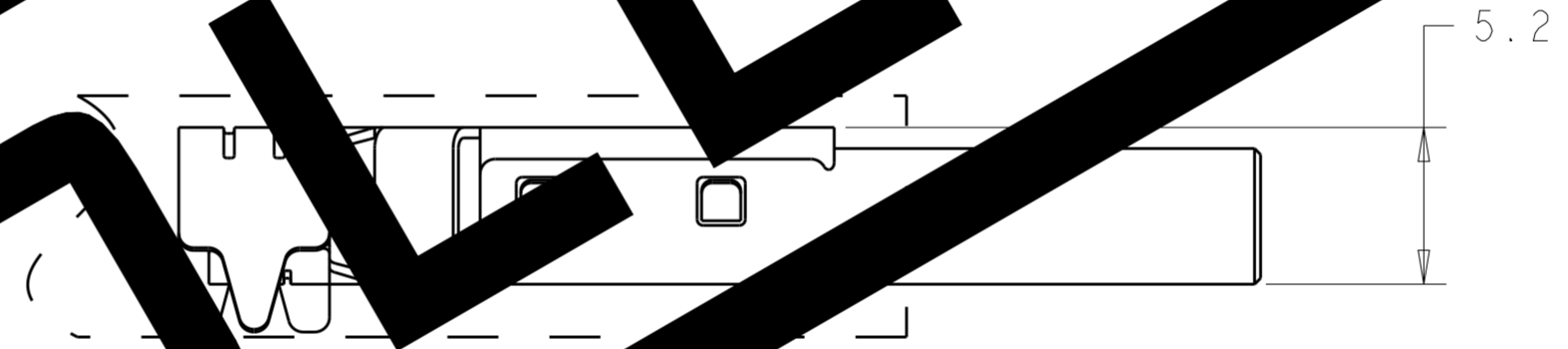
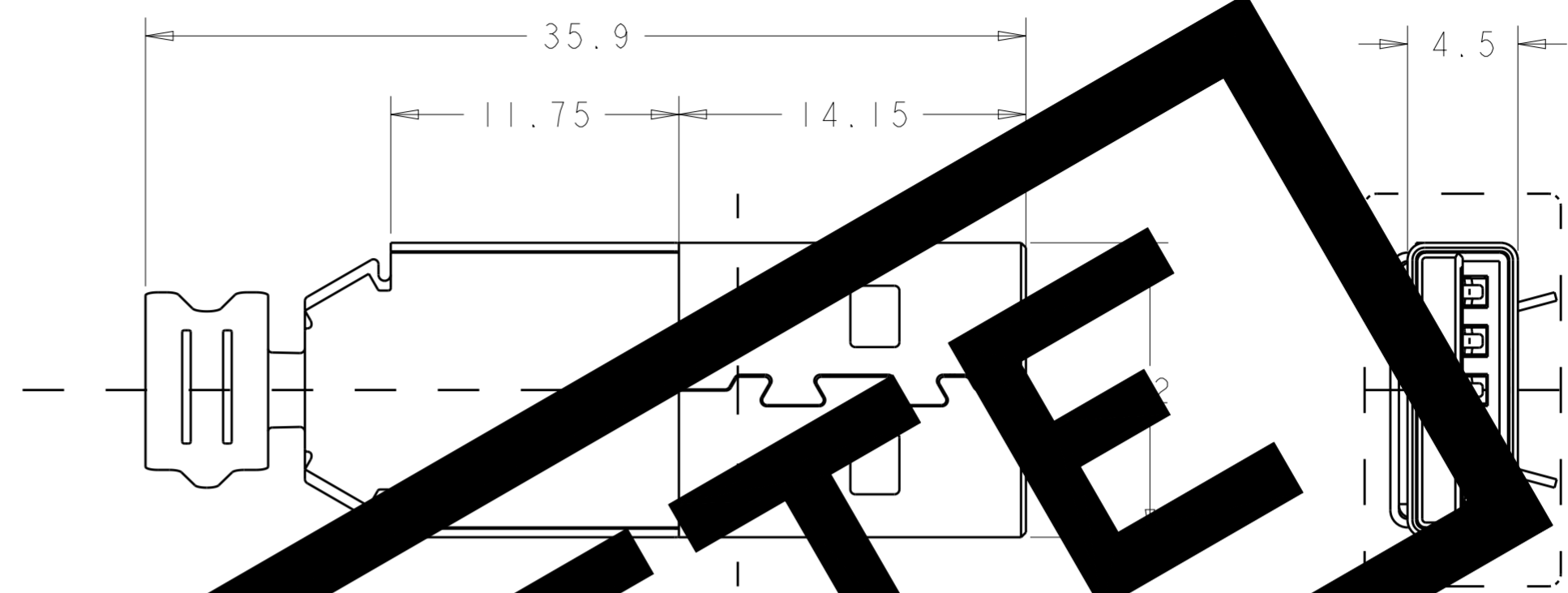
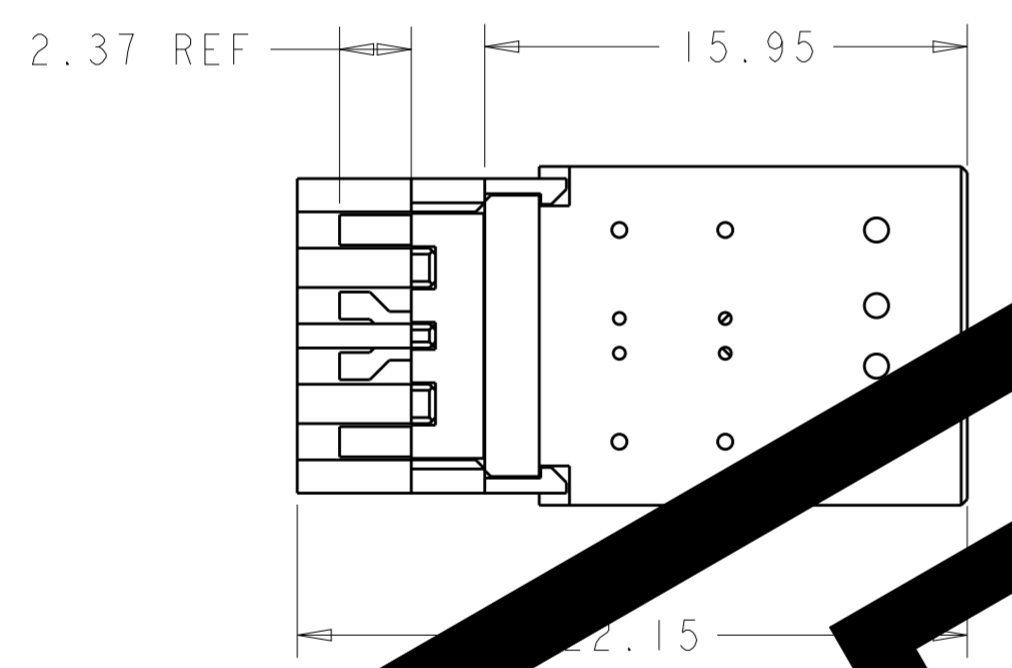
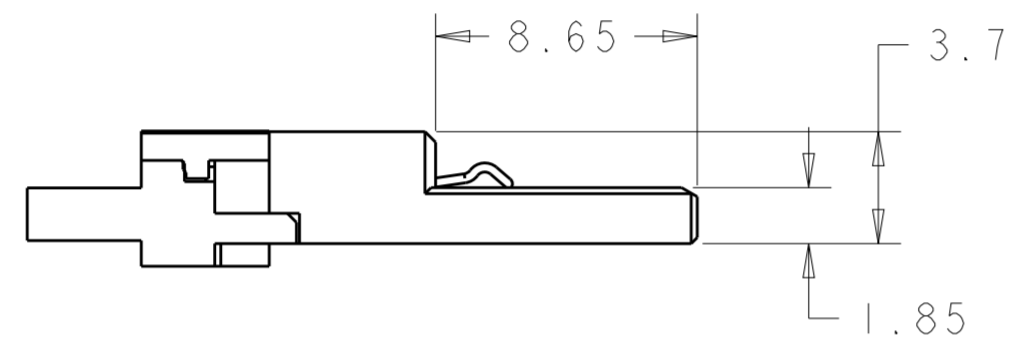
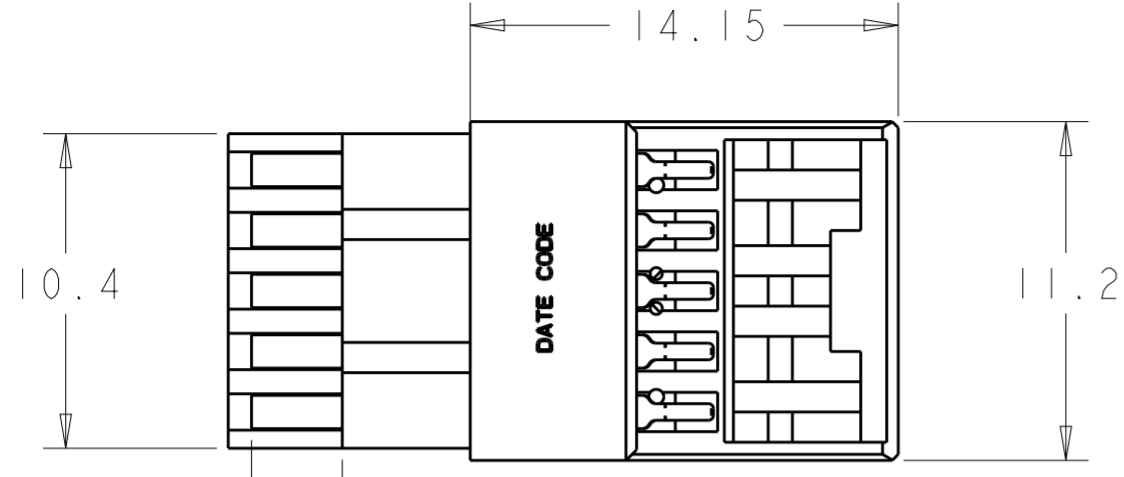


THIS DRAWING IS UNPUBLISHED. RELEASED FOR PUBLICATION 20
 © COPYRIGHT 20 BY TYCO ELECTRONICS CORPORATION. ALL RIGHTS RESERVED.

LOC	DIST	REVISIONS					
ES	00	P	LTR	DESCRIPTION	DATE	DWN	APVD
		A		INITIAL RELEASED PER ECR-11-002073	9FEB2011	A.L	S.Y
		B		OBSOLETE PER ECR-18-009100	15JUN2018	T.Z	S.L



OBSOLETE

BEFORE SHELL ASSEMBLY

AFTER ORGANIZER AND SHELL ASSEMBLY

CABLE ASSEMBLY SOLDER POINT

CONTACT

CABLE ASSEMBLY SOLDER REQUIREMENT TO AVOID SHORT ISSUE

- MATERIAL:
SHELL : CARBON STEEL
CONTACTS: COPPER ALLOY
HOUSING: THERMOPLASTIC, BLUE
- PLATING:
CONTACT: 0.76um MIN GOLD OR GOLD FLASHED OVER 0.76um MIN Pd-Ni ON MATING AREA, 2.54um MIN MATTE TIN ON SOLDER TAILS, 1.27um MIN NICKEL UNDER PLATING
SHELL: NICKEL PLATING OVER COPPER PLATING
- RECOMMENDED CABLE ASSEMBLY PROCESS:
WIRE SOLDERING----->ENVELOPING GLUE AROUND SOLDER POINT
----->OVERMOLDING INNER PLASTIC----->OVER MOLDING OUTER PLASTIC

P/N: 1932266-1

THIS DRAWING IS A CONTROLLED DOCUMENT FOR TYCO ELECTRONICS CORPORATION. IT IS SUBJECT TO CHANGE AND THE CONTROLLING ENGINEERING ORGANIZATION SHOULD BE CONTACTED FOR THE LATEST REVISION.		DWN: ALAN LIU 18AUG2009	Tyco Electronics Shanghai P.R.China 200233	
DIMENSIONS: mm		CHK: MARTIN LI 18AUG2009	NAME: -	
TOLERANCES UNLESS OTHERWISE SPECIFIED: 0 PLC ±0.25 1 PLC ±0.25 2 PLC ±0.25 3 PLC ± 4 PLC ± ANGLES ± FINISH ±		APVD: STEVEN YAO 18AUG2009	PRODUCT SPEC: -	
MATERIAL: -		APPLICATION SPEC: -	USB 3.0 TYPE A STD PLUG	
		WEIGHT: -	SIZE: A200779	RESTRICTED TO: B
		CUSTOMER DRAWING	DRAWING NO: C-1932266	
		SCALE: 2:1	SHEET: 1	REV: B

X-ON Electronics

Largest Supplier of Electrical and Electronic Components

Click to view similar products for [USB Connectors](#) category:

Click to view products by [TE Connectivity](#) manufacturer:

Other Similar products are found below :

[65-647-8-BK-BU](#) [950](#) [952](#) [E8144-B01021-L](#) [A-USB B-TOP-C](#) [MUSBA511N5](#) [MUSBD11135](#) [217450-1](#) [KMBVX-TH-5S-B30](#) [896-30-004-00-000000](#) [KUSBVX-BS1N-W30](#) [KUSBX-AP-KIT-SCBLK](#) [KUSBX-AS2N-W](#) [KUSBX-SMT2AP1S-W](#) [KUSBX-SMT2AP1S-W30](#) [935](#) [957](#) [30-498-6](#) [SK-60A-2](#) [17-210051](#) [1734082-1](#) [30-1574](#) [30-470](#) [30-489](#) [30-541](#) [30-572-3](#) [A-USB A-2P-C](#) [MIKROE-1451](#) [USBFTV2PEM2G](#) [USBFTVC6ZN](#) [KUSBX-AS2N-W30](#) [KUSBX-SLAS1N-W](#) [KUSBX-SMT-AS1N-W30](#) [4689-1](#) [1-1734084-2](#) [E8110-001-01](#) [33UBARS1-04SW11](#) [33UBAR-04SW11](#) [USBF21ZNSCC](#) [USBBFTV6ZC](#) [10135326-001LF](#) [USB-A-S-F-B-VT](#) [925](#) [4198](#) [690-024-633-031](#) [KUSBEX-BSFS1N-W](#) [USBFTVC6MRG](#) [UA-20BMFA-SL8001](#) [17-250101](#) [USBFTVC7ZC](#)