



Quick Reference Guide

USB 3.0 Interconnects

Tyco Electronics, a standard member of Universal Serial Bus-Implementers Forum (USB-IF), offers a new USB 3.0 connector retaining all the great features of previous generations of USB interconnects while improving upon them in the areas of performance and power management.

Tyco Electronics also offers a full line of certified USB 3.0 product solutions, including various configurations of Standard A and B style plugs and receptacles; powered B plugs and receptacles; Micro B and AB plugs and receptacles; and cable assemblies. Various stacked and combination variations are expected to round out the TE USB 3.0 portfolio.

FEATURES

- Minimizes user wait-time
- Backward compatible with USB 2.0 connector variations
- Minimize connector form factor variations
- Comprehend ease-of-use aspects

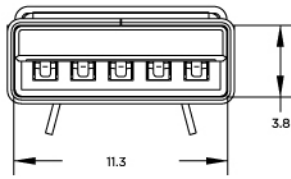
BENEFITS

- Over 10X performance increase
- Support 5 Gbps data rate for fast sync-n-go
- Minimize connector form factor variations
- Contain EMI
- Optimized power efficiency

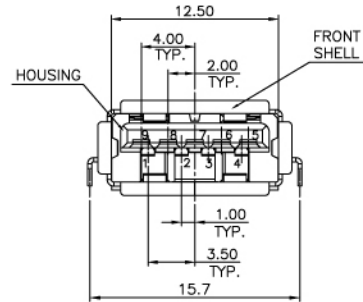
APPLICATIONS

- Desktop and Laptop Computers
- Camera
- Digital Audio
- High-volume Storage Devices
- Scanners
- Game ports
- GPS Devices
- MP3 Players
- High definition A/V equipment
- Keyboards/ Mice/ Joysticks

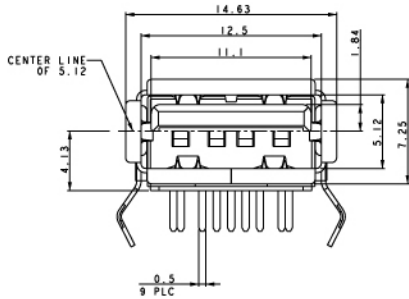
PRODUCT SIZES



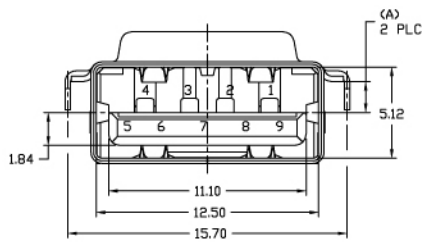
USB 3.0 TYPE A STD PLUG



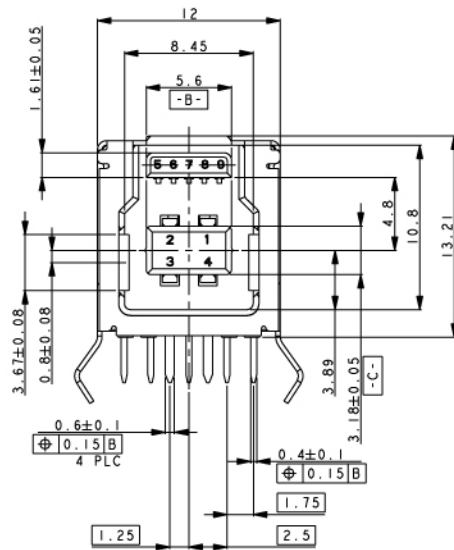
USB 3.0 CONNECTOR STANDARD TYPE A RCPT



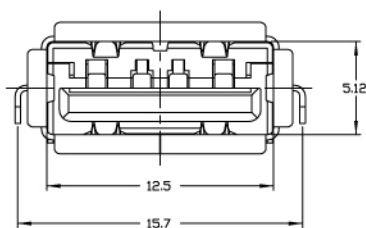
USB 3.0 TYPE A RECEPTACLE STANDARD TYPE



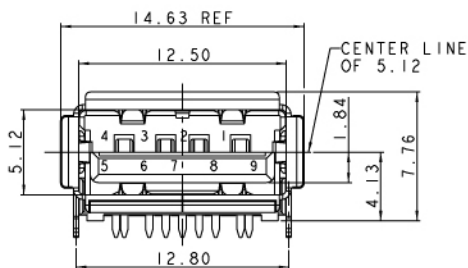
USB 3.0 REVERSE RECEPTACLE OFFSET TYPE



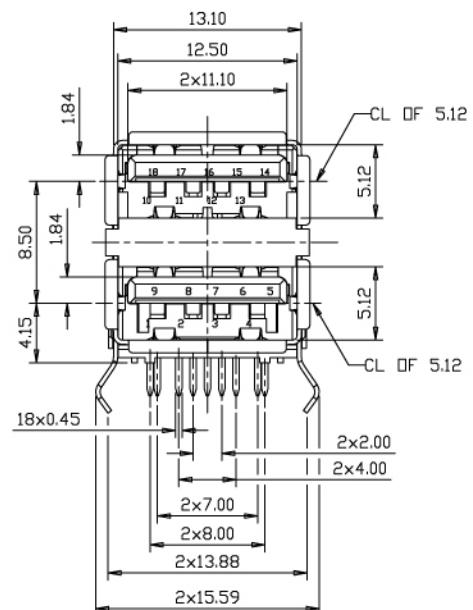
USB 3.0 TYPE RECEPTACLE CONNECTOR



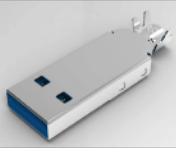
USB 3.0 TYPE A RECEPTACLE REVERSE OFFSET TYPE



USB 3.0 TYPE A RECEPTACLE REVERSE TYPE



USB 3.0 STACKED A TYPE RECEPTACLE

| FULL SIZE USB3.0 | | | | | | | |
|---|-------------|----------|----------------------|-------|-----------|-----------------|----------|
| | Part Number | USB Type | Standard/ Reverse | Color | Rec/Pllug | No. of Ports | Remark |
|  | 1932258-1 | A type | Standard | Blue | Rec | 1 | |
|  | 1932259-1 | B type | Standard | Blue | Rec | 1 | |
|  | 1932355-1 | A type | Standard | Blue | Rec | 2 | |
|  | 1932354-1 | A type | Reverse | Blue | Rec | 1 | CL=1.75 |
| | 1932354-4 | A type | Reverse | Black | Rec | 1 | CL=1.75 |
| | 1-1932354-1 | A type | Reverse | Black | Rec | 1 | CL=2.05 |
|  | 1932295-1 | A type | Reverse | Blue | Rec | 1 | CL=0.14 |
| | 1932295-2 | A type | Reverse | Blue | Rec | 1 | CL=0.32 |
| | 1-1932295-2 | A type | Reverse | Blue | Rec | 1 | Black Ni |
|  | 1932266-1 | A type | Standard | Blue | Plug | 1 | |
|  | 2041179-1 | A type | Standard | Blue | Rec | 1 | CL=1.04 |

USB 3.0 Interconnects

QUESTIONS TO ASK AT DESIGN IN

Question 1: How do I know which product is USB 3.0 compliant?

Visit: <http://www.usb.org/developers/compliance>.

Question 2: How do I get TID no. for USB 3.0 certification?

Visit: <http://www.usb.org/kcompliance/view>

Question 3: How do I find the operating temperature range?

Visit: <http://www.tycoelectronics.com/products/USB>
See performance characteristics section

Question 4: How do I find the operating temperature range?

Visit: <http://www.tycoelectronics.com/products/USB>
See performance characteristics section

FOR MORE INFORMATION

Internet: te.com/help
USA: +1 (800) 522-6752
Canada: +1 (905) 470-4425
Mexico & Central America: +52(0) 55-1106-0814
South America: +55 (0) 11-2103-6000
Germany: +49 (0) 6251-133-1999
UK: +44 (0) 800-267666
France: +33 (0) 1-3420-8686
Netherlands: +31 (0) 73-6246-999
China: +86 (0) 400-820-6015

Asia Contact info:
Name: James Chang
Title: Product Manager
E-mail: james.chang@te.com
Phone: (886)2-87682788 #396

EMEA Contact info:
Name: Emmanuel Lancelot
Title: Product Manager
E-mail: elancelot@te.com
Phone: (33)-0134208409

USA Contact info:
Name: Melissa Stanley
Title: Product Manager
E-mail: mastanley@te.com
Phone: (1) 717-985-2618

Part numbers in this brochure are RoHS Compliant*, unless marked otherwise.

*as defined www.tycoelectronics.com/leadfree

(c) 2010 Tyco Electronics Corporation
6-1773457-0 CIS PDF 1/2011

TE logo and Tyco Electronics are trademarks.

Other products, logos and Company names mentioned herein may be trademarks of their respective owners.

USB-IF is a trademark of Universal Serial Bus Implementers Forum, Inc.

While Tyco Electronics has made every reasonable effort to ensure the accuracy of the information in this brochure, Tyco Electronics does not guarantee that it is error-free, nor does Tyco Electronics make any other representation, warranty or guarantee that the information is accurate, correct, reliable or current. Tyco Electronics reserves the right to make any adjustments to the information contained herein at any time without notice. Tyco Electronics expressly disclaims all implied warranties regarding the information contained herein, including, but not limited to, any implied warranties of merchantability or fitness for a particular purpose. The dimensions in this catalog are for reference purposes only and are subject to change without notice. Specifications are subject to change without notice. Consult Tyco Electronics for the latest dimensions and design specifications.

**Tyco Electronics**
Our commitment. Your advantage.

X-ON Electronics

Largest Supplier of Electrical and Electronic Components

Click to view similar products for [TE Connectivity](#) manufacturer:

Other Similar products are found below :

[D38999/24FJ4AN](#) [570416-000](#) [CLTEQ-M81CE-SSRELAY-4-20V](#) [4-1195131-0](#) [650069-000](#) [SMD100-2](#) [358838-000](#) [CB-1022B-78](#)
[RM707012](#) [RP410012](#) [MMS42](#) [1-640426-8](#) [2EDL4CM](#) [DTS20W19-11PD-3028-LC](#) [RM202615](#) [NC6-P104-06](#) [MSPS103B](#) [DTS26F21-41HE-LC](#) [DTS26F21-41AE](#) [DTS26F21-41PE-LC](#) [DTS26F21-11SE-3028-LC](#) [30DCB6](#) [1932144-1](#) [293545-4](#) [LVR125S](#) [MS27466T25F4PB](#)
[CKB-38-78010](#) [TR04AI-TINELLOCKRING](#) [1206SFF150F/63-2](#) [D38999/20JB35HA](#) [TE1500A2R2J](#) [D38999/20WC8BB](#) [DTS24F19-11SC-3028-LC](#) [D38999/24WG11HA](#) [D38999/24WG11HN](#) [MS27467T21F11H](#) [DJT16E21-11HA](#) [MS27467T21F35J](#) [MS27467T21F11J](#)
[MS27467T21F16H-LC](#) [MS27467T21F35H](#) [MS27467T21F41H-LC](#) [1206SFH150F/24-2](#) [RP330024](#) [DJT16E21-11PA-LC](#) [DJT16E21-11HA-LC](#) [DJT16E21-11AA](#) [MS27467T21B11JA](#) [DJT16E21-11JA](#) [MS27467T21B11JA-LC](#)