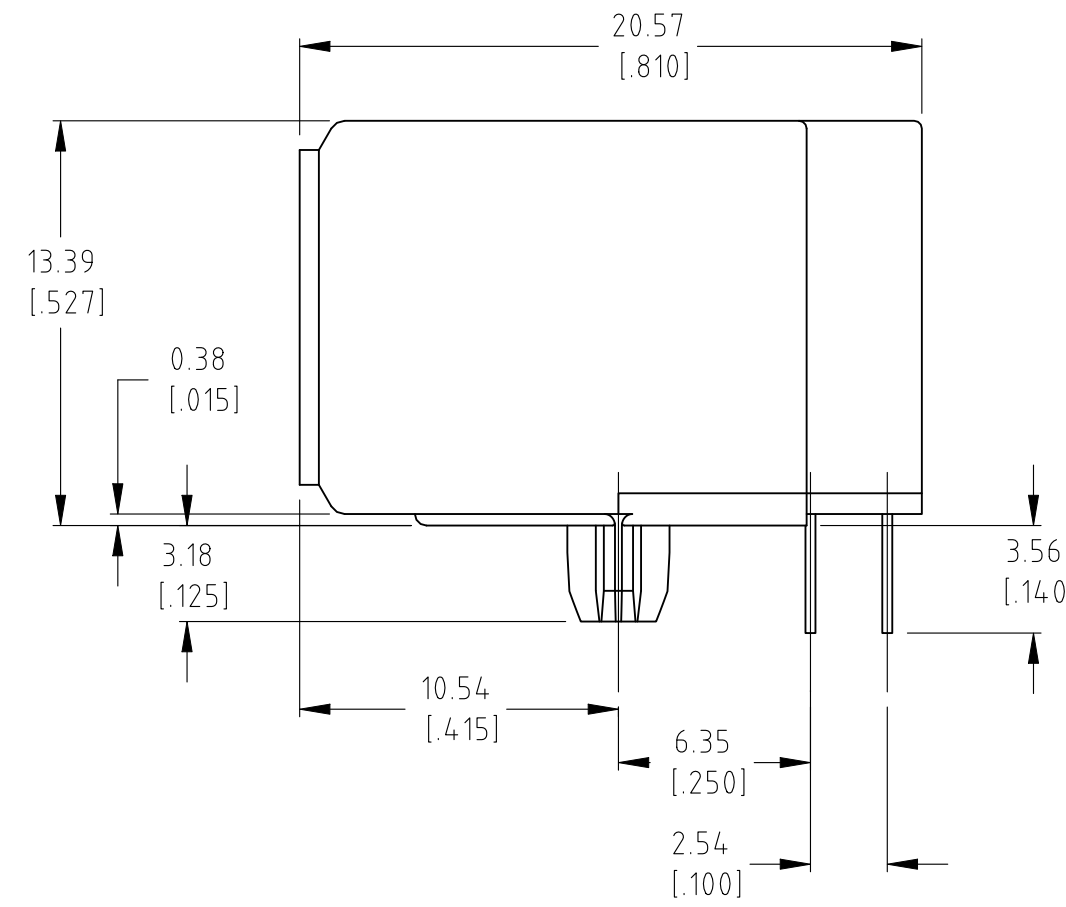
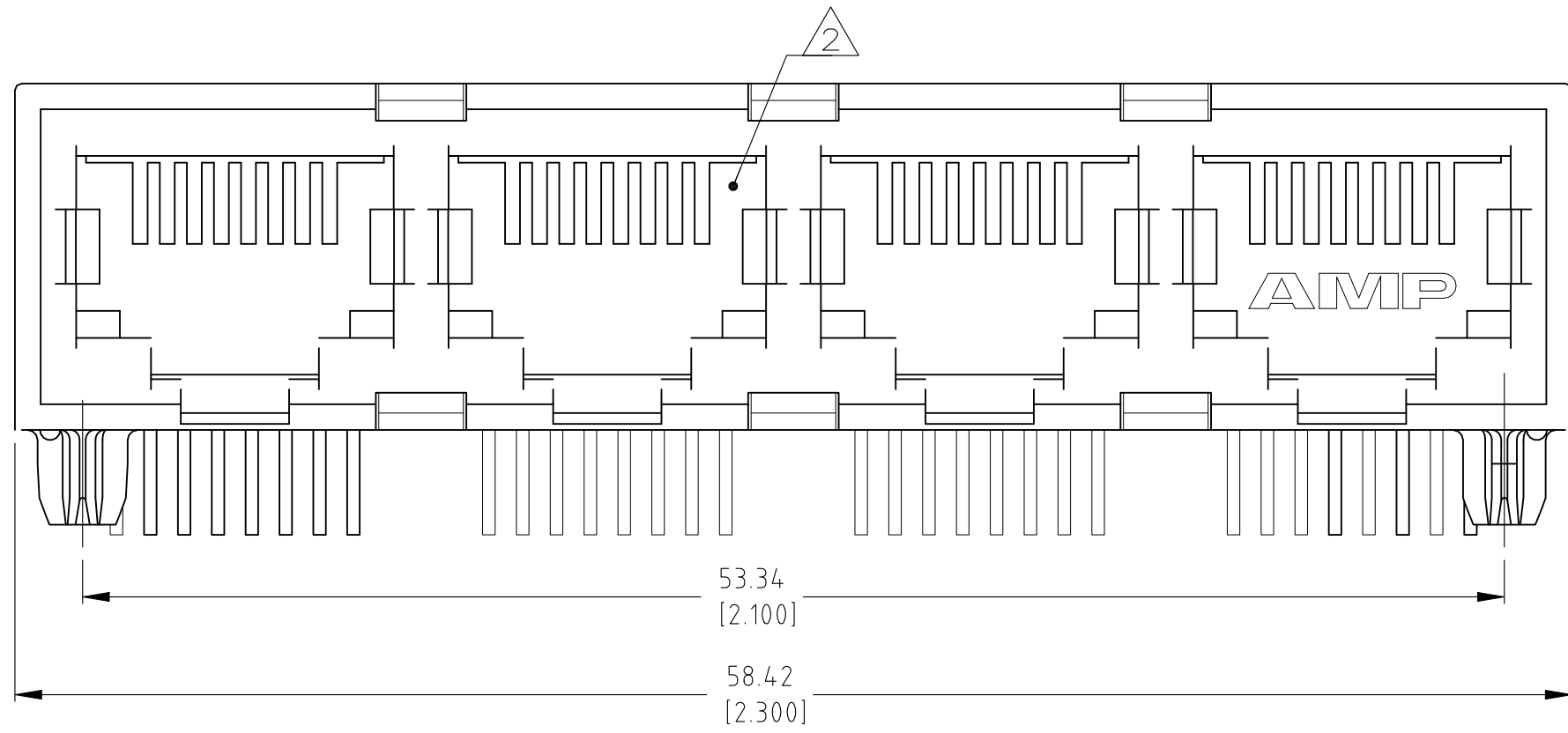


REVISIONS					
P	LTR	DESCRIPTION	DATE	DWN	APVD
A1		ECR-19-014657	13DEC2020	RR	SZ



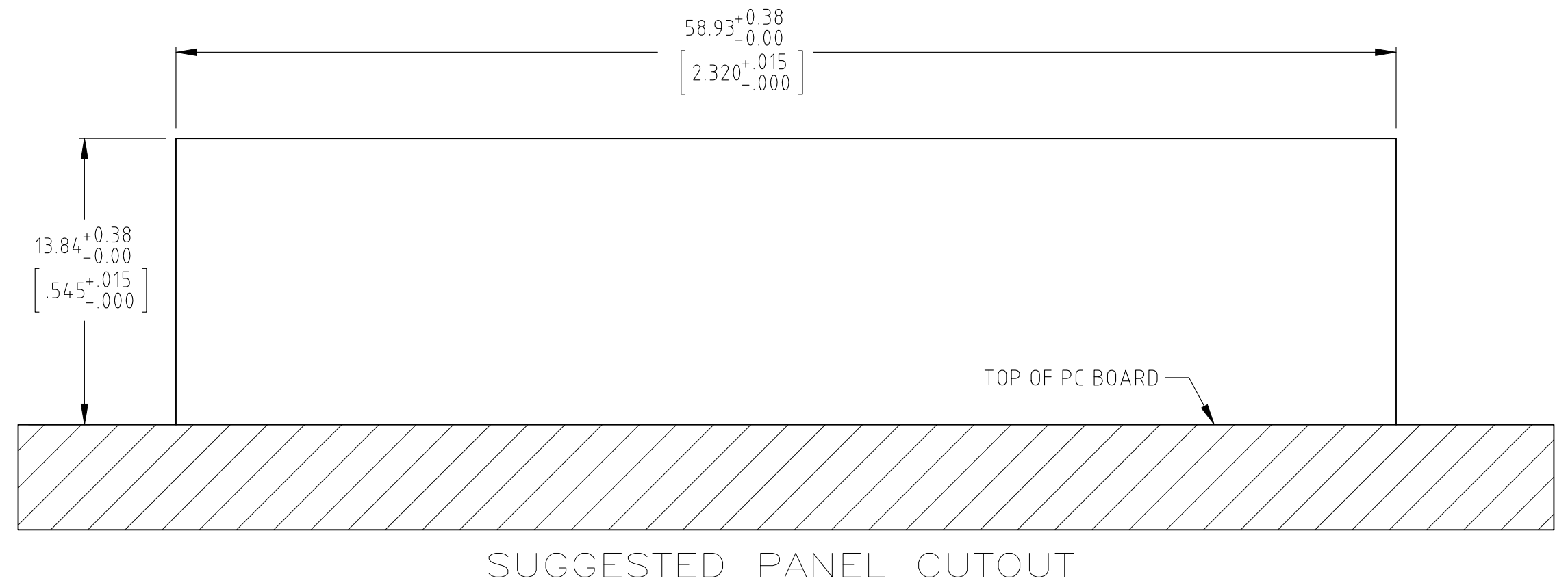
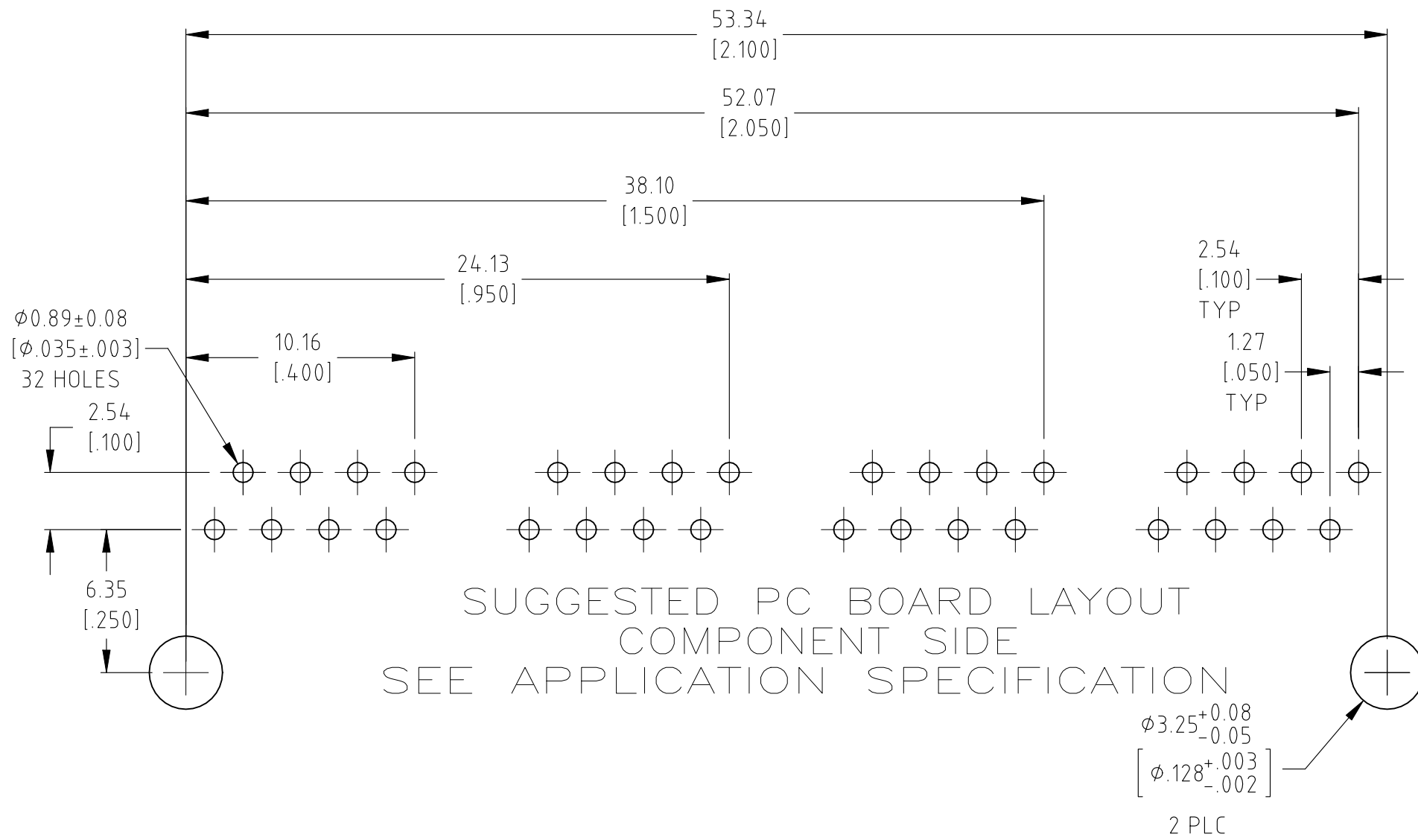
1. MATERIAL: HOUSING – HIGH TEMPERATURE NYLON, BLACK, IR COMPATIBLE, UL 94V-0.
 TERMINALS – 0.33[.013] THICK PHOS BRONZE PLATED WITH 1.27 μ m[.000050] MINIMUM HARD GOLD ON LOCALIZED AREA AND 3.81 μ m [.000150] MINIMUM MATTE TIN IN SOLDER AREA OVER 1.27 μ m [.000050] MINIMUM NICKEL UNDERPLATE.

2. JACK CAVITY CONFORMS TO FCC RULES AND REGULATIONS, PART 68 SUBPART F.

3. CAUTION: CATEGORY 5 JACK SOLDER TAIL POSITIONS DO NOT FOLLOW SAME NUMBER SEQUENCE AS THAT OF THE TRADITIONAL JACKS.



TRADITIONAL JACK 3 CATEGORY 5 & 5e JACK



1932371

B

A

1932371-1
 PART NO.

THIS DRAWING IS A CONTROLLED DOCUMENT.		DWN TERRY.YU 19MAY2009	TE Connectivity		
DIMENSIONS: mm [INCHES]		CHK MARTIN.LI 19MAY2009			
TOLERANCES UNLESS OTHERWISE SPECIFIED:		APVD STEVEN.YAO 19MAY2009	NAME MODULAR JACK ASSEMBLY, 4 PORT, 8 POSITION, RIGHT ANGLE, CATEGORY 5e		
0 PLC ± -		PRODUCT SPEC 108-1392	SIZE A2	CAGE CODE 00779	DRAWING NO. C=1932371
1 PLC ± -		APPLICATION SPEC 114-2048	SCALE 4:1	SHEET 1 of 1	RESTRICTED TO -
2 PLC ± 0.25 [.010]		MATERIAL SEE NOTE 1	WEIGHT 0.000000	REV A1	
3 PLC ± -		FINISH SEE NOTE 1	CUSTOMER DRAWING		
4 PLC ± -					
ANGLES ± -					

X-ON Electronics

Largest Supplier of Electrical and Electronic Components

Click to view similar products for [Modular Connectors / Ethernet Connectors](#) category:

Click to view products by [TE Connectivity](#) manufacturer:

Other Similar products are found below :

[8949-H88/06BLKA/SN](#) [74441-0010/BKN](#) [MP1010RX-1000](#) [MP44RX-1000](#) [PHJ-4P4C-1-V-4](#) [PHP-6P6C-5](#) [GAX-3-66](#) [GAX-8-62](#) [GDCX-PA-66-50](#) [GDCX-PN-64](#) [GDCX-PN-66](#) [GDCX-PN-66-50](#) [GDLX-A-66](#) [GDLX-N-66](#) [GDLX-S-66](#) [GDLX-S-88K](#) [GDTX-S-88-50](#) [GDX-PA-1010](#) [GLX-N-1010M-BLK](#) [GLX-S-88M-BLK](#) [GMX-N-1010](#) [GMX-S-1010](#) [GMX-S-66](#) [GMX-SMT4-N-88](#) [GPX-2-64](#) [GSGX-N-2-88](#) [GSGX-N-4-88](#) [GSX-NS2-88-3.05](#) [GSX-NS2-88-3.05-50](#) [GSX-NS-88-3.05-50](#) [PT-108A-8C-UL](#) [PT-J951-8C](#) [PTS-J531-8CS-50UL](#) [1-1775629-2](#) [A-2014-0-4](#) [GWLX-S-88-GR](#) [GWLX-S9-88-YG](#) [DC-1021-8-WH-6](#) [1300530003](#) [1324640-4](#) [RJ11FTVC2G](#) [RJ11FTVC2N](#) [RJFTVX2SA1G](#) [132764-001](#) [1413235](#) [MP88X-1000](#) [MPS88RX-5000](#) [E5288-S000K3-L](#) [E5908-15A242-L](#) [155302-001](#)