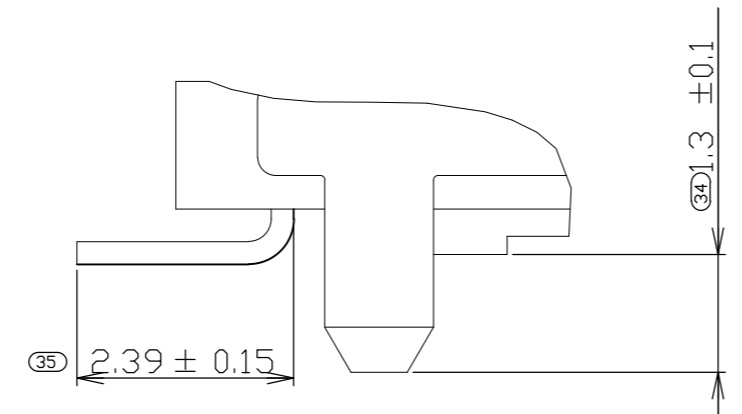
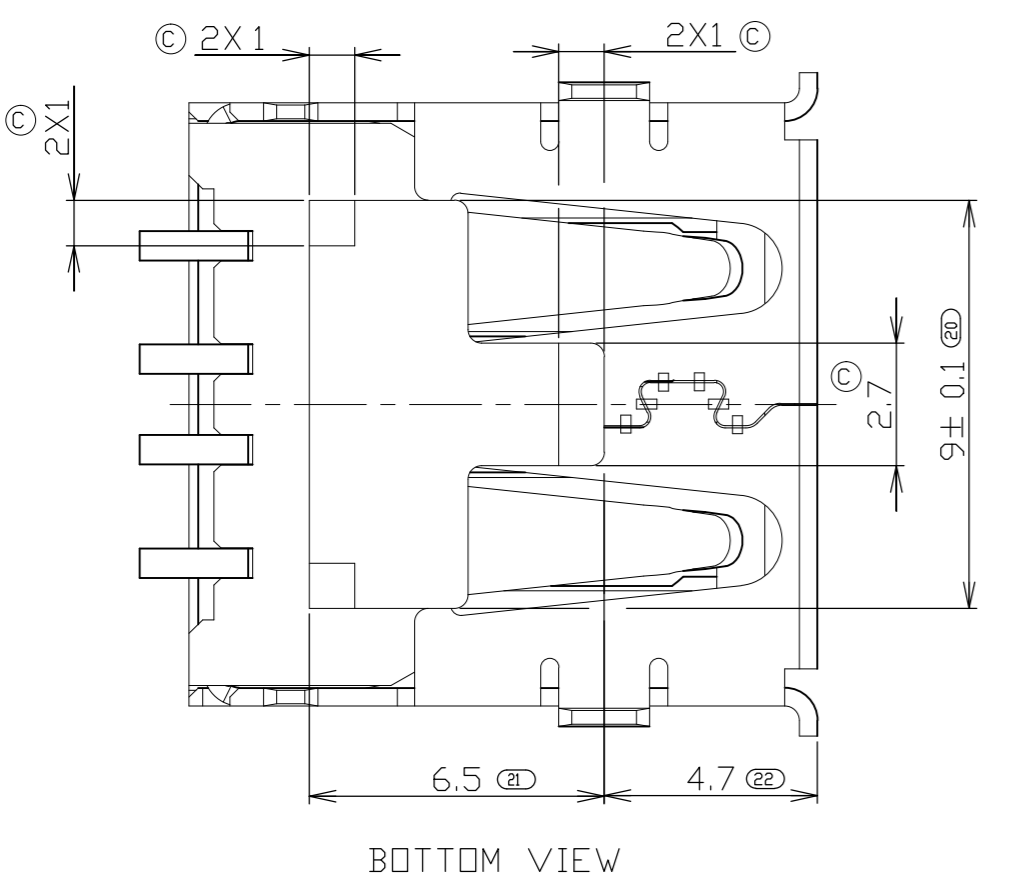
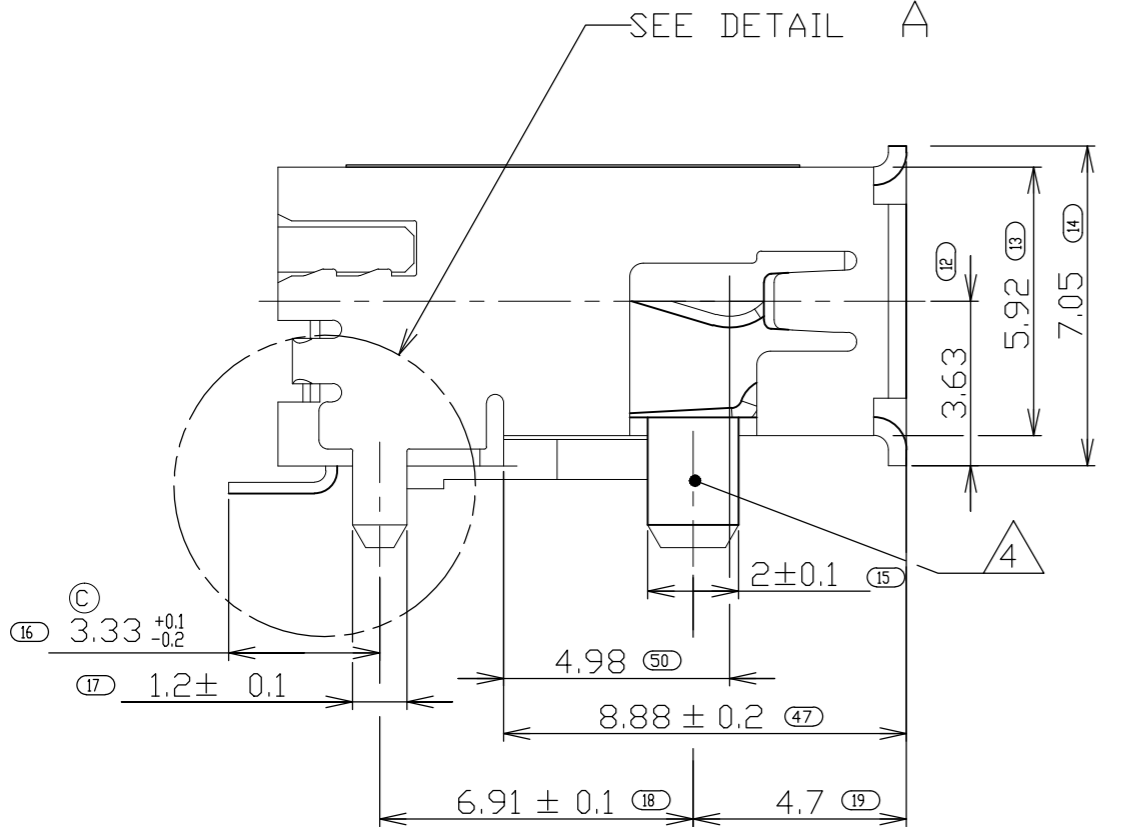
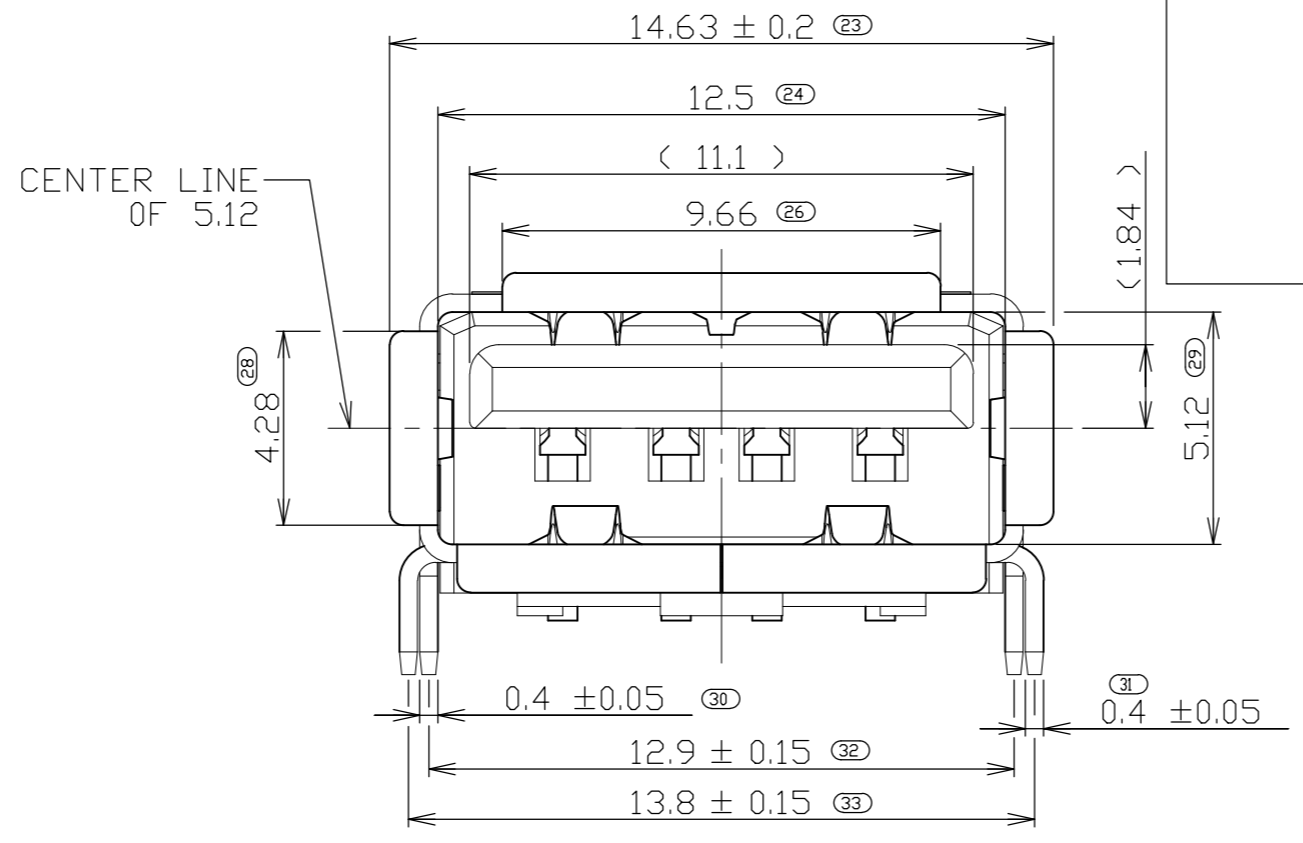
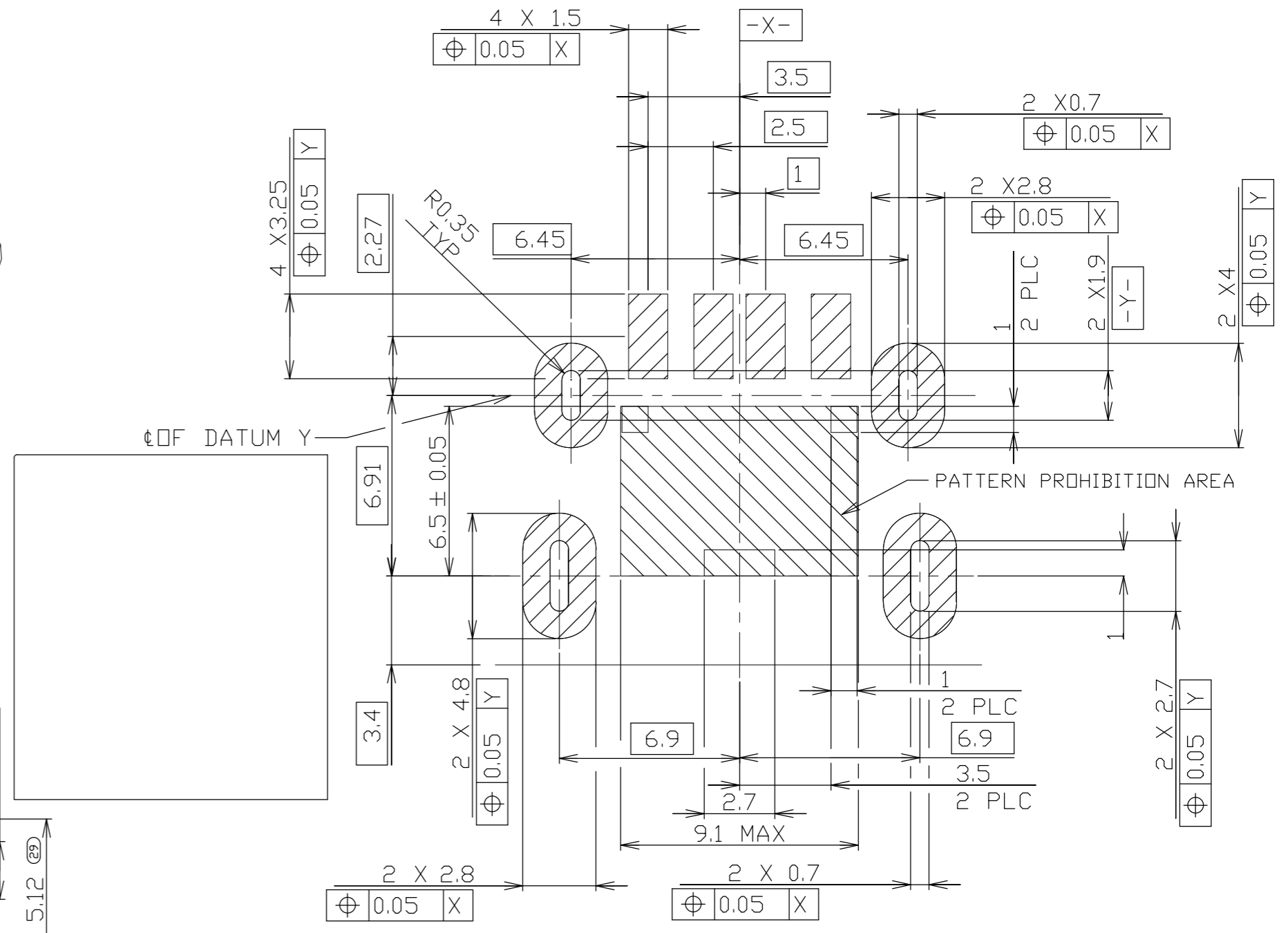
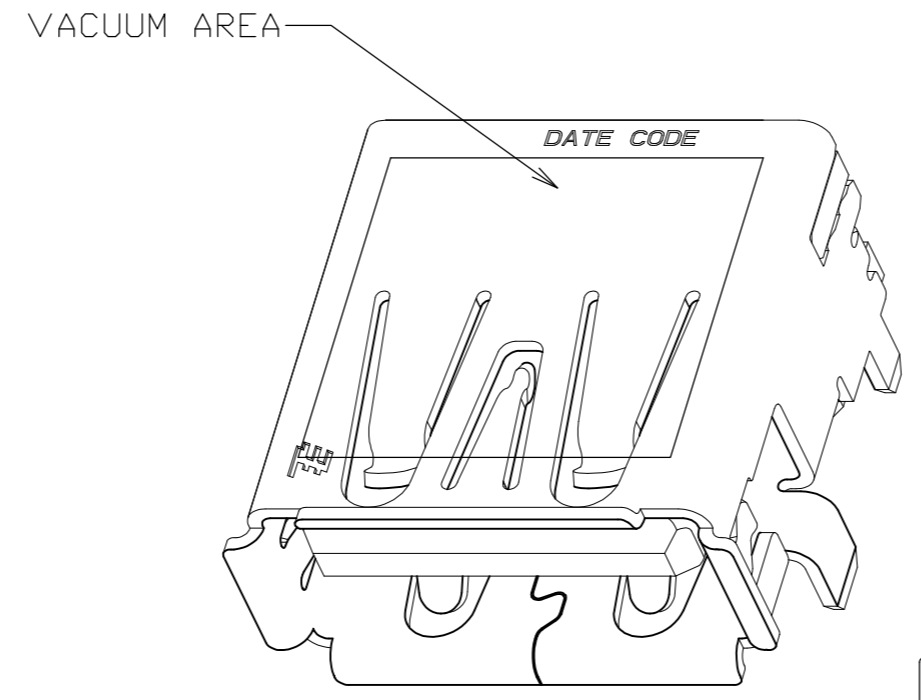
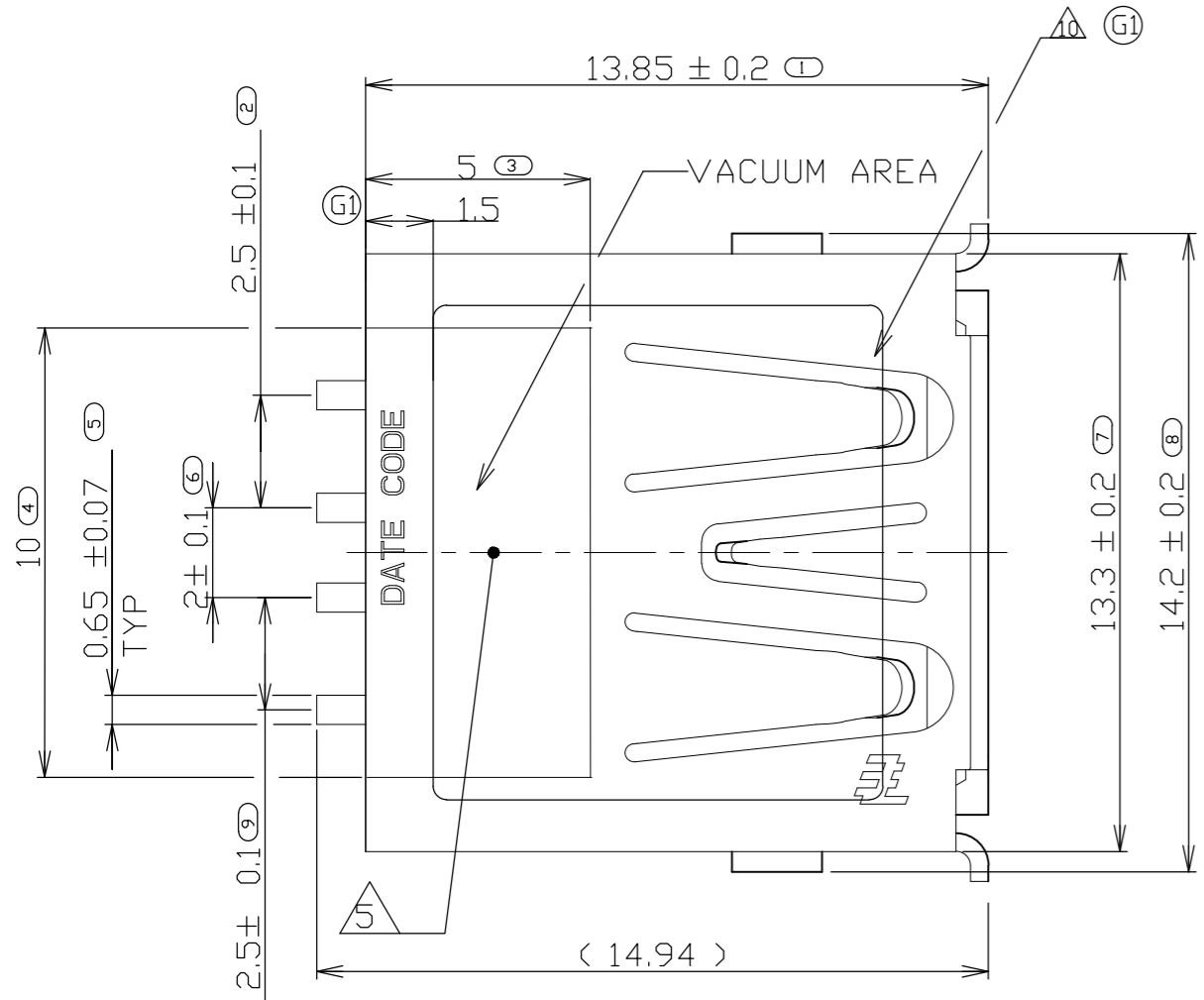


THIS DRAWING IS UNPUBLISHED. RELEASED FOR PUBLICATION
 © COPYRIGHT - By - ALL RIGHTS RESERVED.

| LOC | | DIST | | REVISIONS | | | |
|-----|-----|---------------------------|-----------|-----------|------|--|--|
| P | LTR | DESCRIPTION | DATE | DWN | APVD | | |
| H | | REVISED PER ECR-18-014400 | 07NOV2018 | T.Z | S.L | | |



DETAIL A
SCALE 12:1

RECOMMENDED PCB LAYOUT
(THICKNESS=1.2mm, TOLERANCE= ±0.05)

NOTES:
 Δ MATERIALS:
 Δ HOUSING: LCP, UL 94V-0 RATED; COLOR: BLACK
 CONTACTS: COPPER ALLOY
 SHIELD: CARBON STEEL (T=0.40mm)
 Δ KAPTON: LYMIDE TAPE (NO.360AST) COLOR : BROWN (TRANSPARENT)
 Δ FINISH:
 Δ CONTACT: 0.76um MIN GOLD PLATING AND POROSITY SEALING TREATMENT ON CONTACT AREA
 3.8um MIN MATTE TIN ON SOLDER TAILS
 1.27um MIN NICKEL UNDER PLATING
 Δ CONTACT: 0.05um MIN GOLD PLATING OVER 0.75um MIN Pd-Ni, AND POROSITY SEALING TREATMENT ON CONTACT AREA
 3.8um MIN MATTE TIN ON SOLDER TAILS
 1.27um MIN NICKEL UNDER PLATING
 SHIELD: POINT Δ IS 3um MIN AND POINT Δ IS 2.4um MAX
 MATTE TIN ALL OVER 1.0um MIN NICKEL
 INCLUDES FRACTURE SURFACE (EDGE)
 3. TINE COPPLANARITY MUST BE UNDER 0.1 MAX

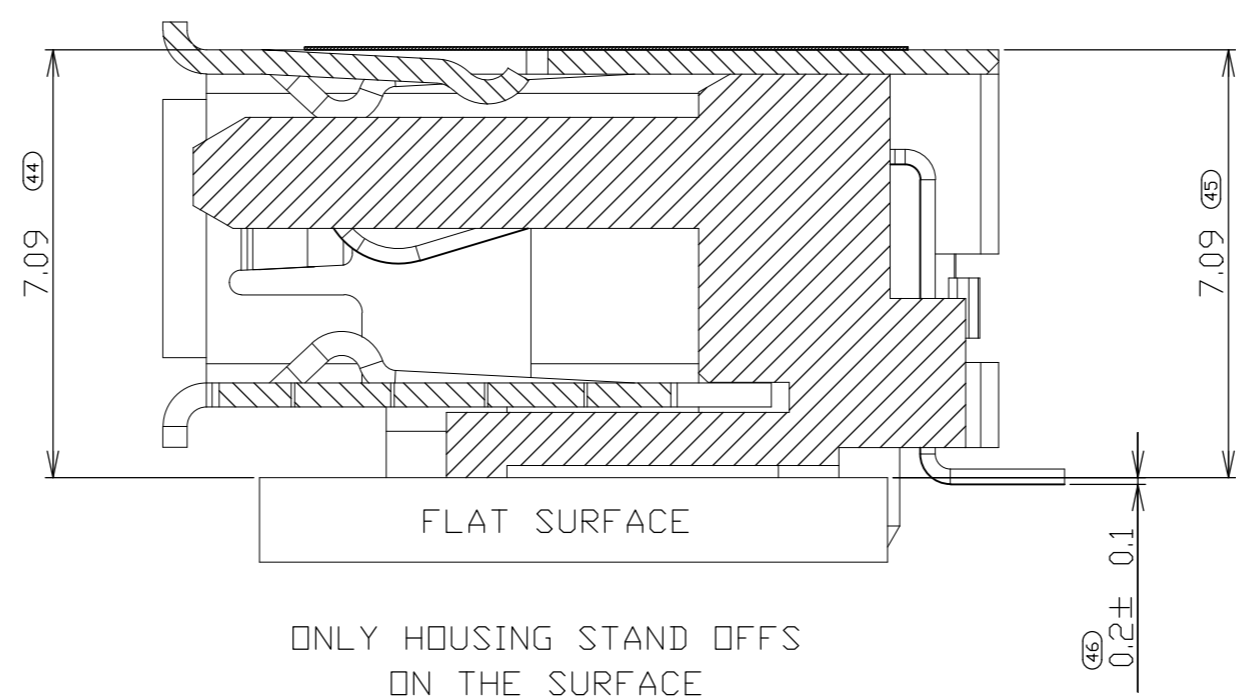
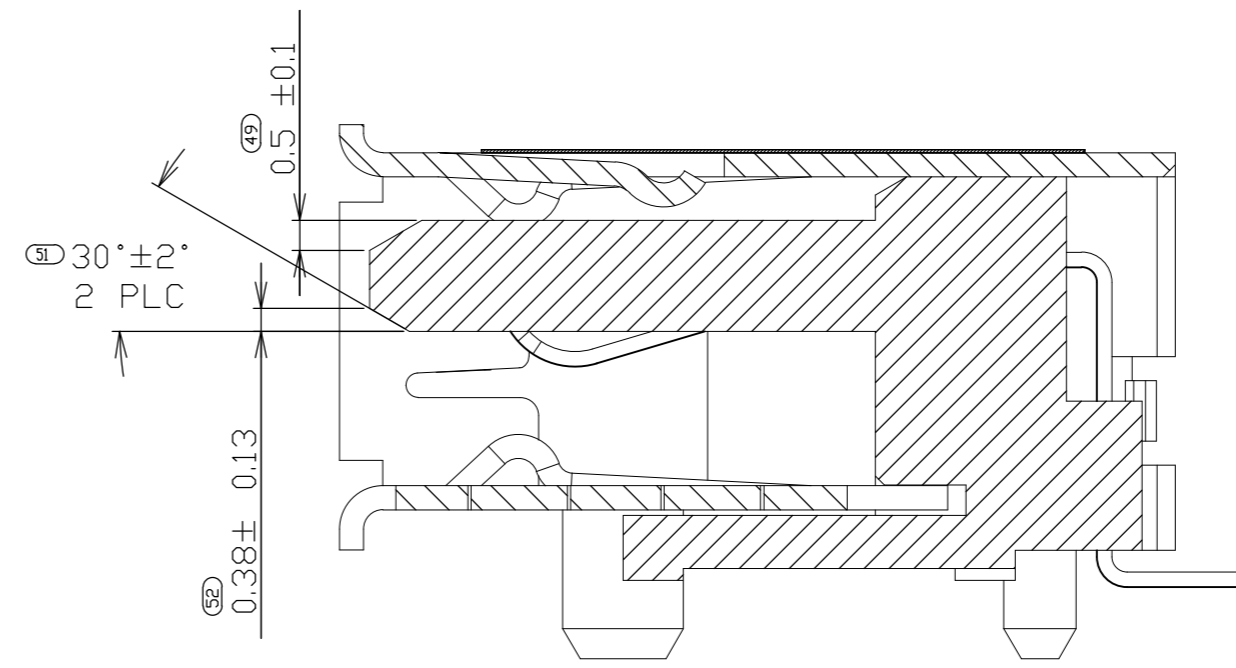
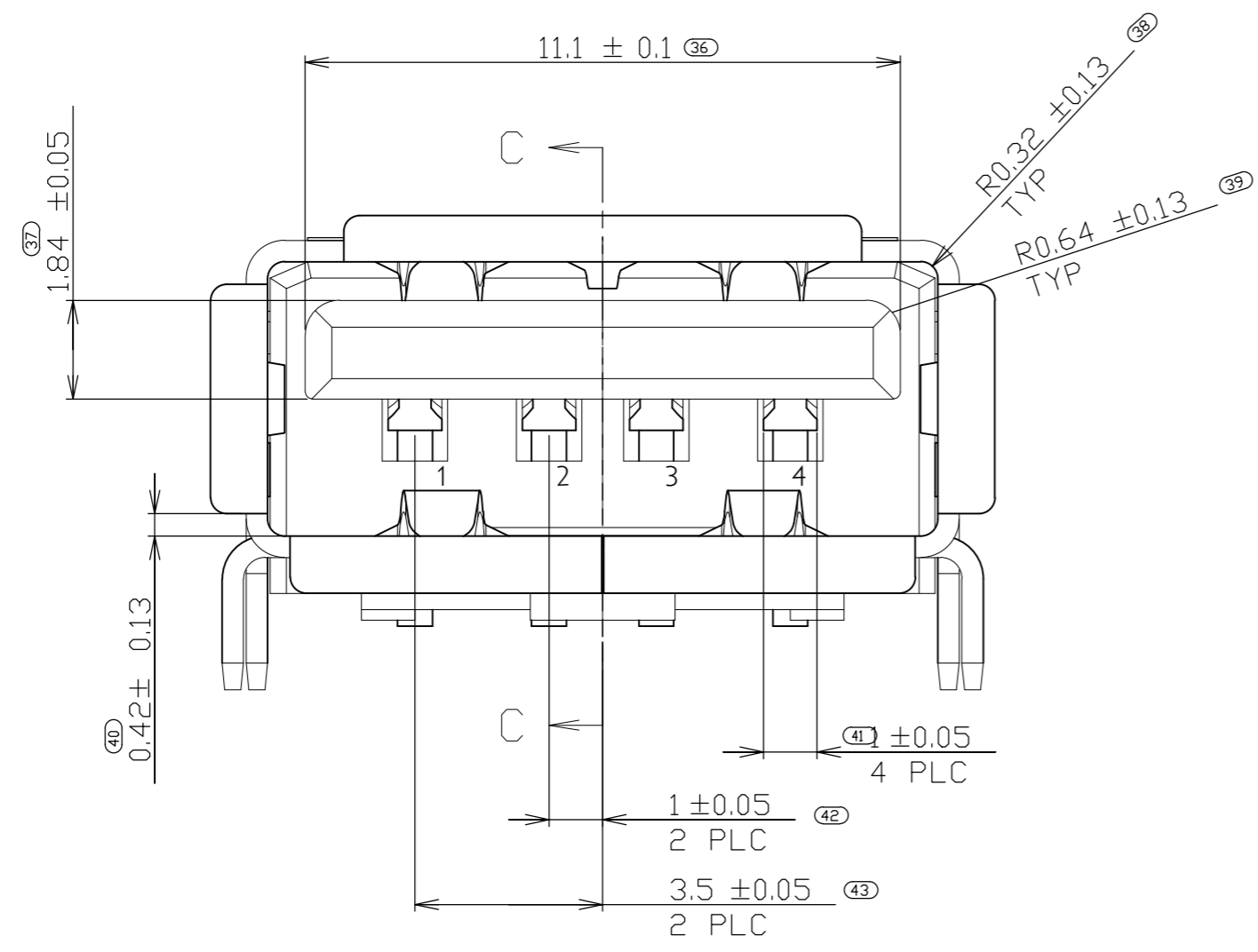
| REV | DESCRIPTION | DATE | DWN | APVD |
|-----|-------------|------|-----|------|
| 1 | 1932638-5 | | | |
| 2 | 1932638-4 | | | |
| 3 | 1932638-3 | | | |
| 4 | 1932638-2 | | | |

(H) OBSOLETE

| | | | | | | |
|--|--------|--------------|------------------|-----------|---|-----------|
| THIS DRAWING IS A CONTROLLED DOCUMENT. | | DWN | ADAMS LV | 21SEP2013 | TE Connectivity RECEPTACLE ASSEMBLY RIGHT ANGLE SMT USB 2.0 | |
| DIMENSIONS: mm | | CHK | MARTIN LI | 21SEP2013 | | |
| TOLERANCES UNLESS OTHERWISE SPECIFIED: | | APVD | STEVEN YAO | 21SEP2013 | | |
| 0 PLC ± 0.25 1 PLC ± 0.20 2 PLC ± 0.20 3 PLC ± 0.15 4 PLC ± 0.15 ANGLES ± 3 | | NAME | 108-60034 | | | |
| MATERIAL | FINISH | PRODUCT SPEC | APPLICATION SPEC | | SIZE | A2 |
| | | WEIGHT | CUSTOMER DRAWING | | CAGE CODE | 00779 |
| | | SCALE | NTS | | DRAWING NO | C=1932638 |
| | | SHEET | 1 of 4 | | RESTRICTED TO | |
| | | REV | H | | | |

THIS DRAWING IS UNPUBLISHED. RELEASED FOR PUBLICATION
 © COPYRIGHT - By - ALL RIGHTS RESERVED.

| LOC | | DIST | | REVISIONS | | | |
|-----|-----|-------------|------|-----------|------|--|--|
| P | LTR | DESCRIPTION | DATE | DWN | APVD | | |
| - | - | SEE SHEET 1 | - | - | - | | |

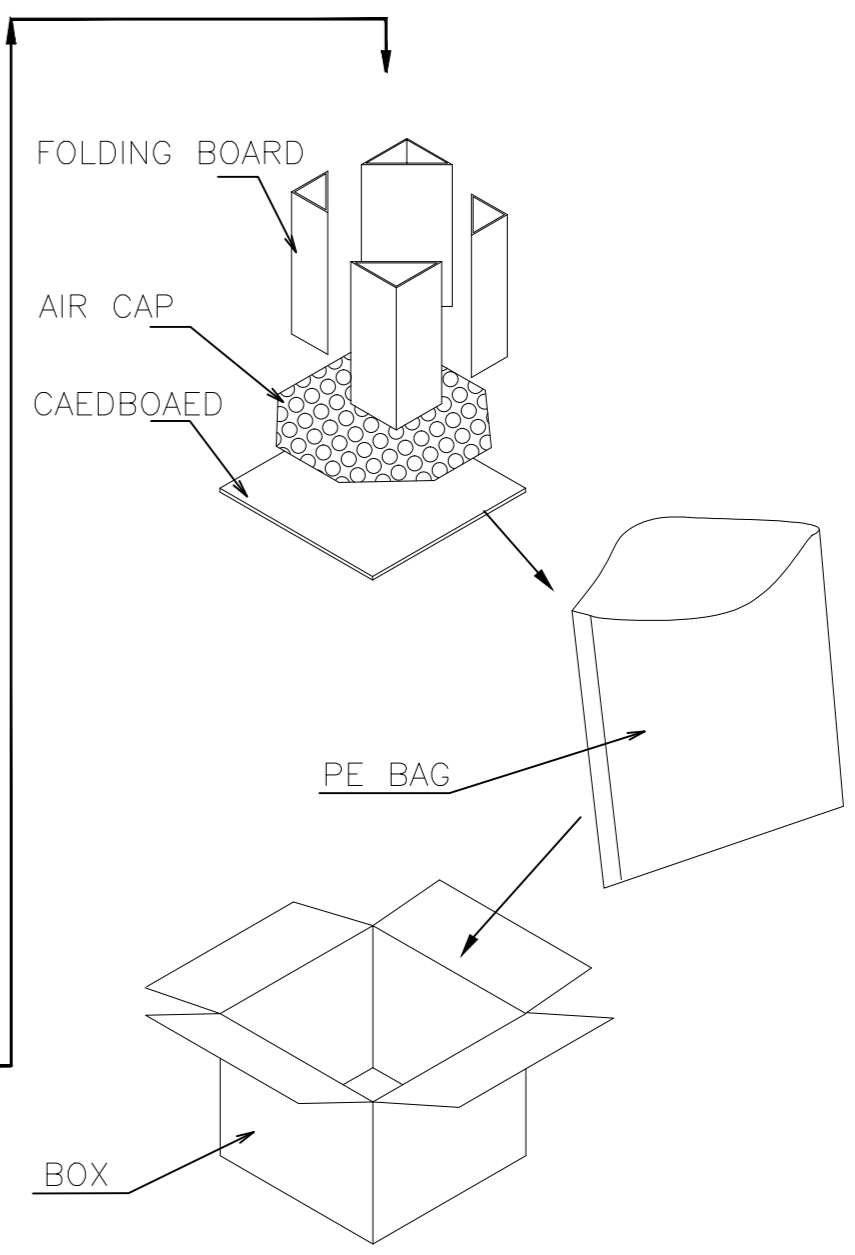
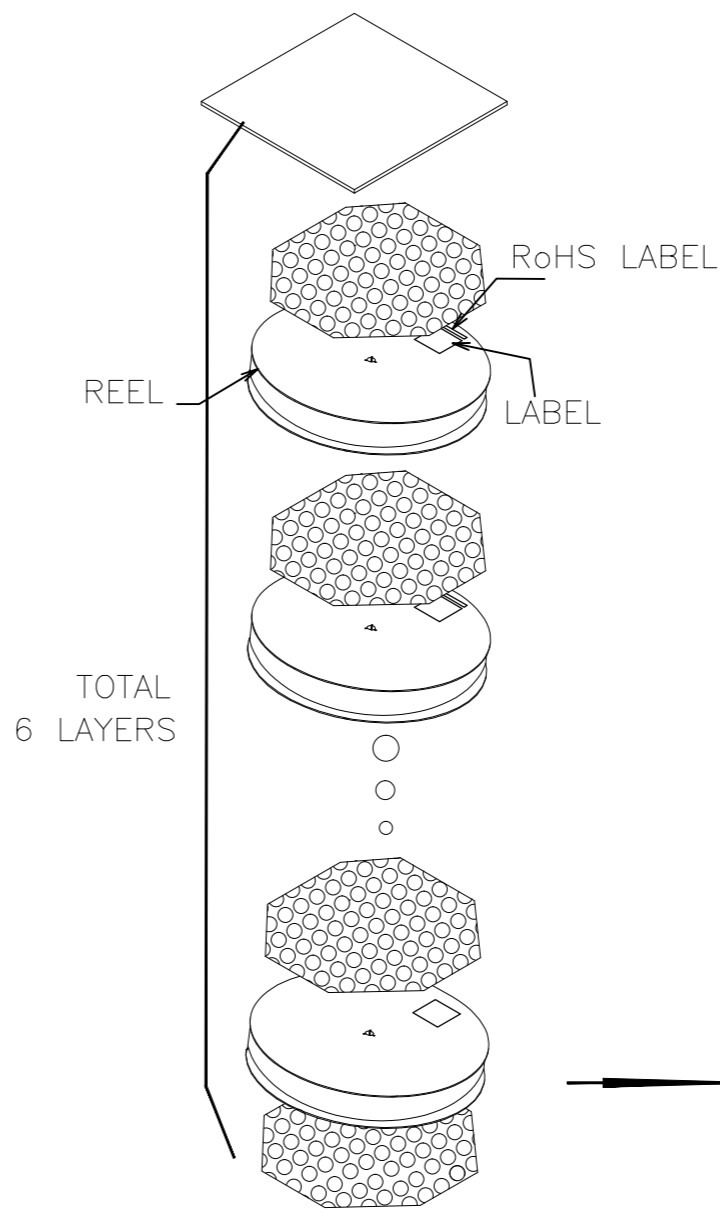
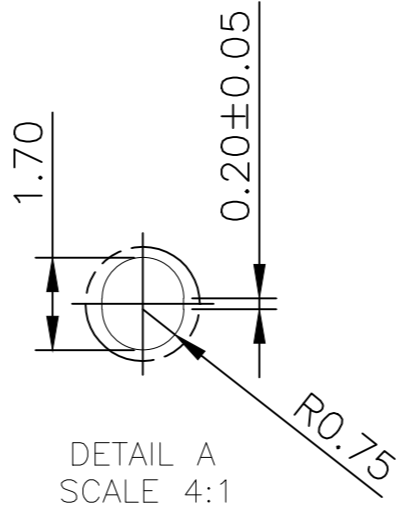
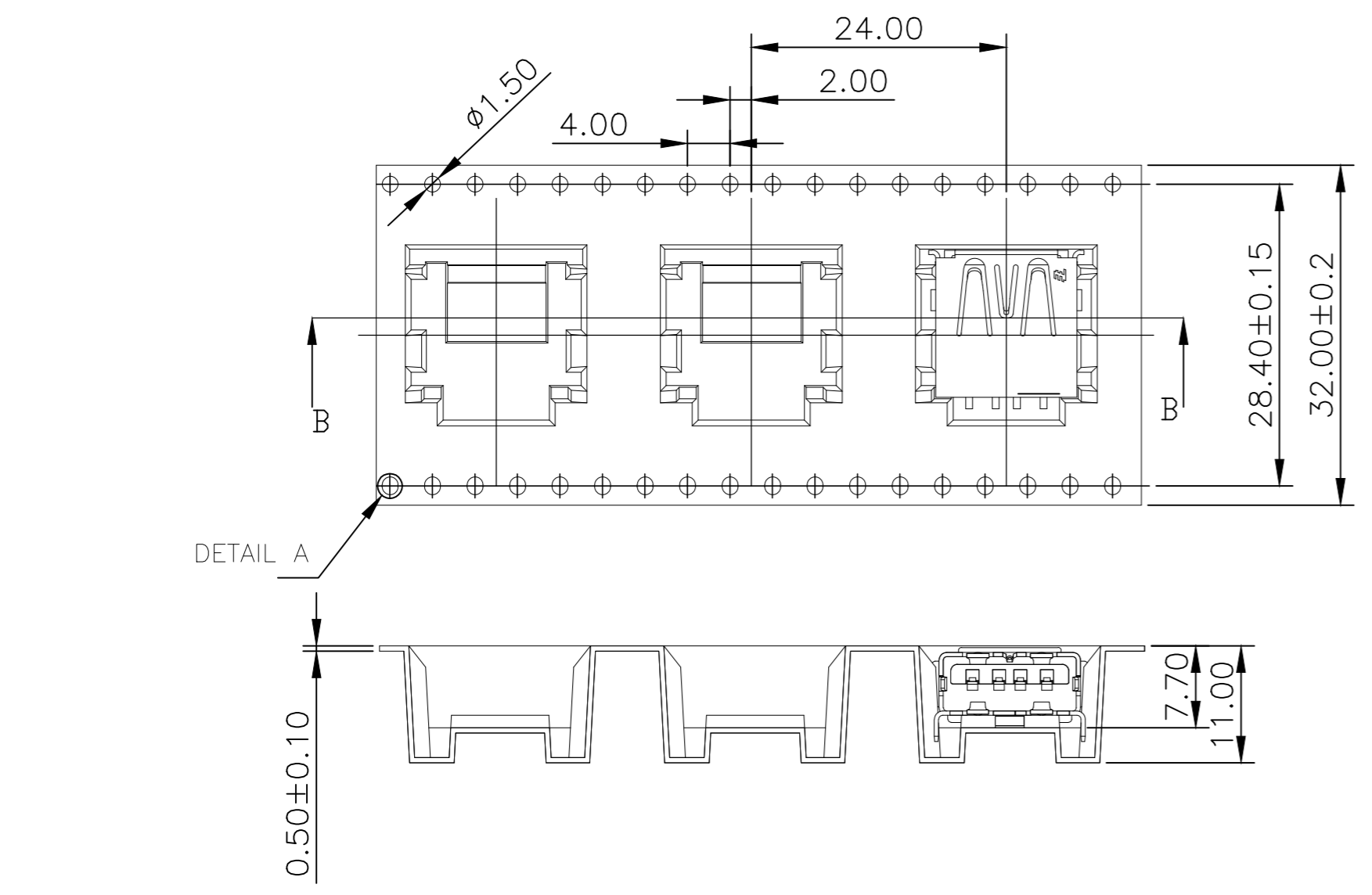
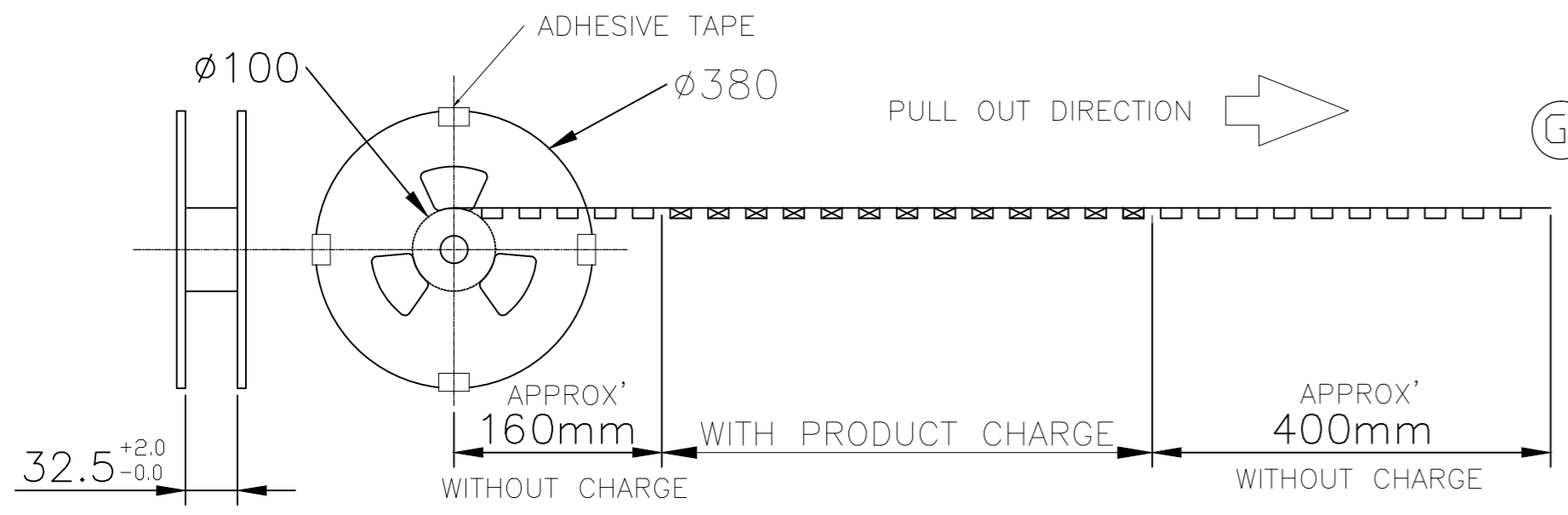


| | | | | |
|--|--|---------------------------------|--|--------------------|
| THIS DRAWING IS A CONTROLLED DOCUMENT. | | DWN ADAMS LV 21SEP2013 | TE Connectivity | |
| DIMENSIONS: mm | | CHK MARTIN LI 21SEP2013 | | |
| TOLERANCES UNLESS OTHERWISE SPECIFIED: | | APVD STEVEN YAO 21SEP2013 | NAME RECEPTACLE ASSEMBLY RIGHT ANGLE SMT USB 2.0 | |
| 0 PLC ± 0.25 1 PLC ± 0.20 2 PLC ± 0.20 3 PLC ± 0.15 4 PLC ± 0.15 ANGLES ± 3 | | PRODUCT SPEC 108-60034 | RESTRICTED TO | |
| MATERIAL | | APPLICATION SPEC | SIZE A2 | CAGE CODE 00779 |
| FINISH | | WEIGHT | DRAWING NO. C-1932638 | SCALE NTS |
| | | CUSTOMER DRAWING | SHEET 2 of 4 | REV H |

THIS DRAWING IS UNPUBLISHED. RELEASED FOR PUBLICATION
 © COPYRIGHT - By - ALL RIGHTS RESERVED.

| LOC | | DIST | | REVISIONS | | | |
|-----|-----|-------------|------|-----------|------|---|---|
| P | LTR | DESCRIPTION | DATE | DWN | APVD | | |
| - | - | - | - | - | - | - | - |

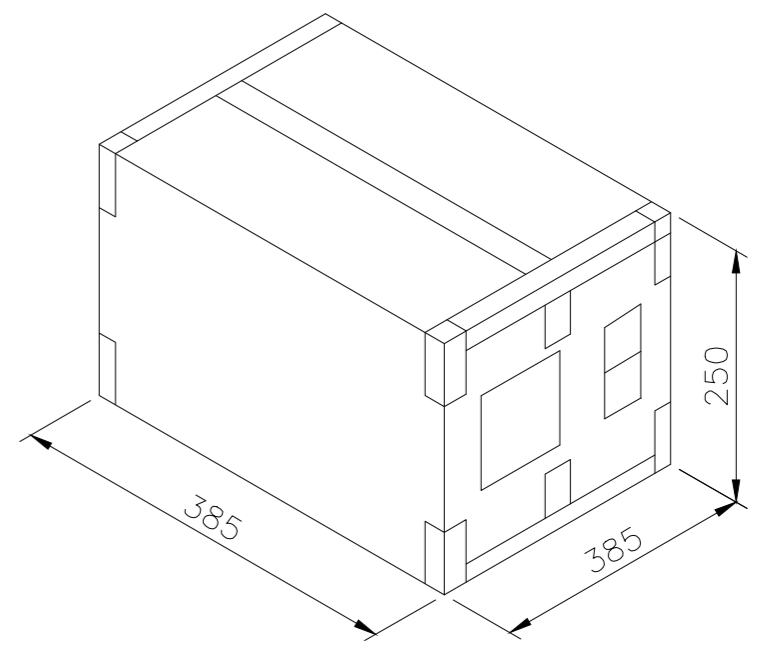
FOR 1932638-3/4/5 PACKAGE



| | | | | |
|--------------|------------|-----------|-----------|----------|
| 8.42KG | 4.284KG | 350 | 6 | 2100 |
| GROSS WEIGHT | NET WEIGHT | PCS/ REEL | REEL/ BOX | PCS/ BOX |

DATECODE
 XXXXXXXX
 LINE OF MANUFACTORY
 DAY OF WEEK
 WEEK
 YEAR

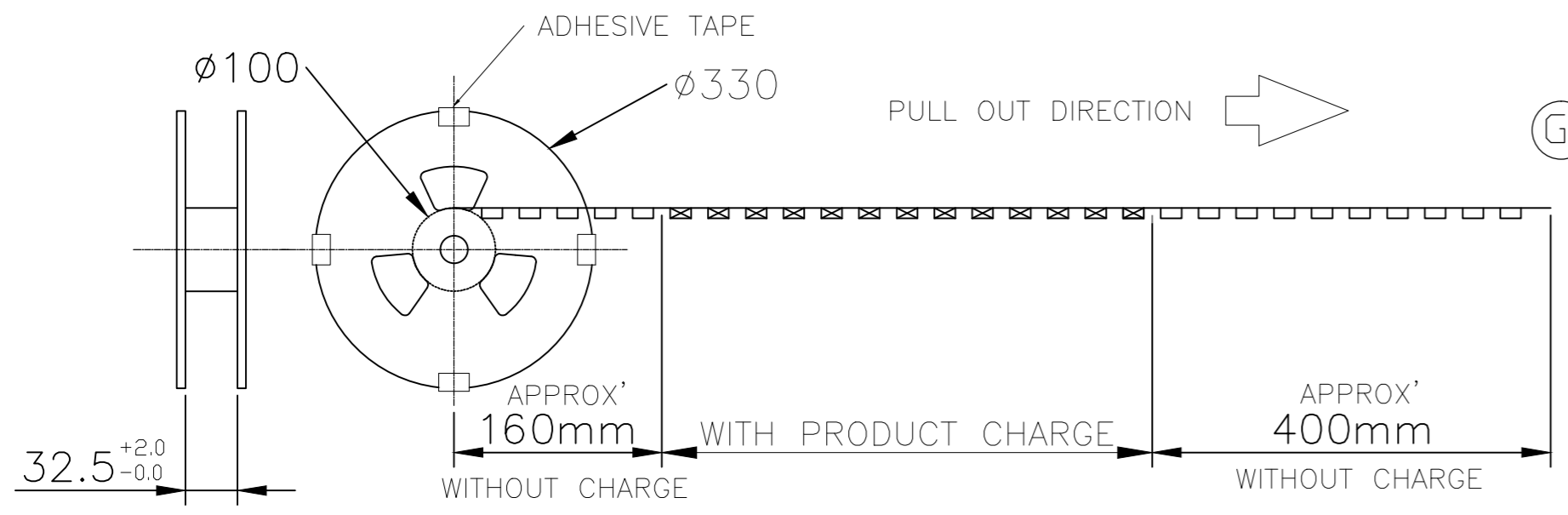
- NOTES :
- PACKAGING MATERIAL IN PLASTIC, RUBBER, INK, PIGMENT AND PAINT MUST MEET CONTROLLED SUBSTANCES PER TEC-138-702
 - * CADMIUM AND CADMIUM COMPOUNDS NOT TO EXCEED: 5 PPM.
 - * LEAD, CADMIUM, CHROM VI AND MERCURY NOT TO EXCEED: 100 PPM (COMBINED).
 - * CARRIER TAPES, COVER TAPES, REELS AND TAPED COMPONENTS MUST MEET THE REQUIREMENTS DEFINED PER EIA-481-B.
 - MATERIAL :
 - COVER TAPE : PS, COLOR: TRANSPARENT.
 - CARRIER TAPE : HIPS, COLOR: TRANSPARENT.
 - REEL : PC BLUE
 - SHIPPING BOX: CORRUGATED FIBER



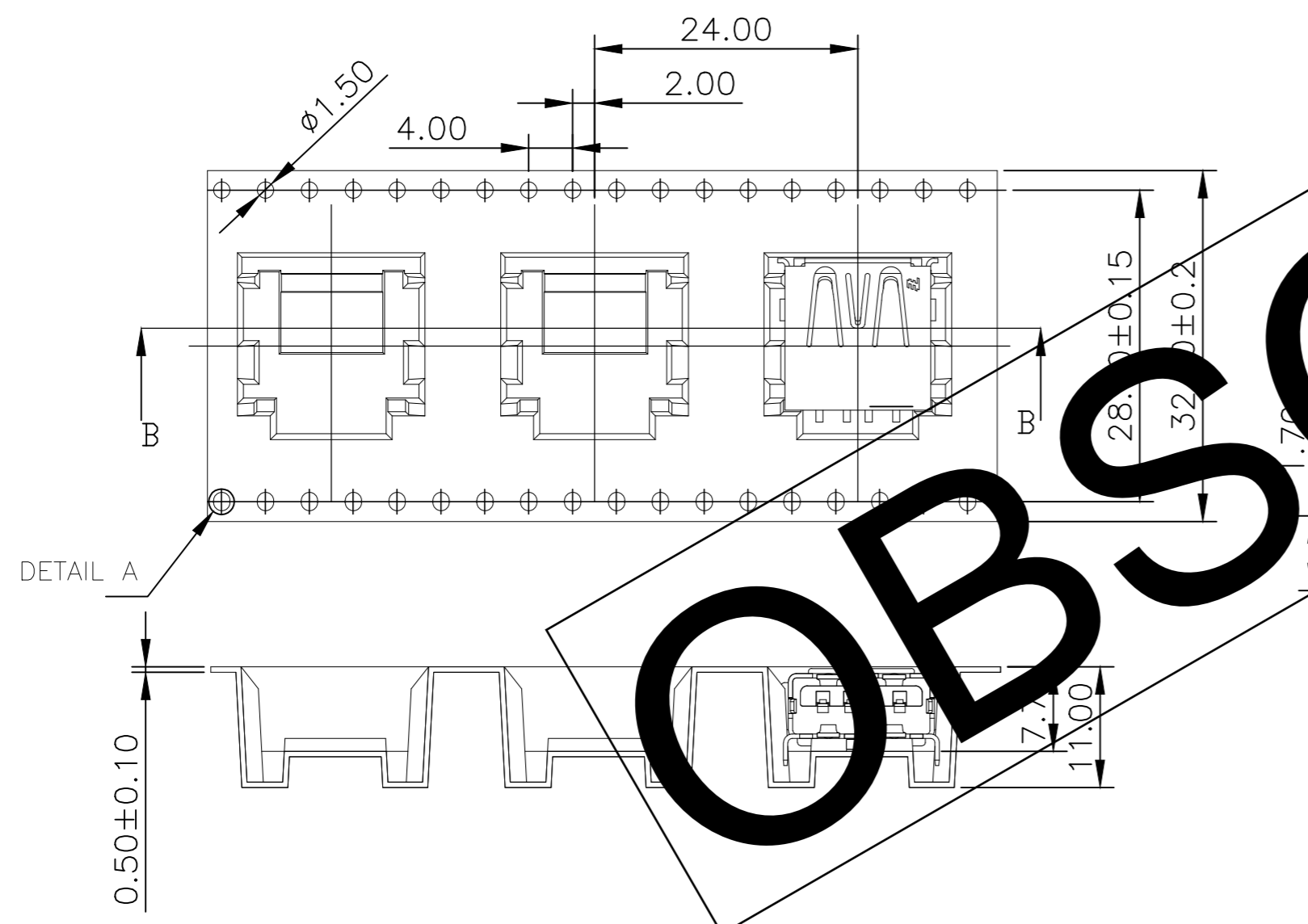
| | | | | | |
|--|--|---------------------------------|--|--------------------|-------------------------|
| THIS DRAWING IS A CONTROLLED DOCUMENT. | | DWN ADAMS LV 21SEP2013 | TE Connectivity | | |
| DIMENSIONS: mm | | CHK MARTIN LI 21SEP2013 | | | |
| TOLERANCES UNLESS OTHERWISE SPECIFIED: | | APVD STEVEN YAO 21SEP2013 | NAME RECEPTACLE ASSEMBLY RIGHT ANGLE SMT USB 2.0 | | |
| 0 PLC ± 0.25 1 PLC ± 0.20 2 PLC ± 0.20 3 PLC ± 0.15 4 PLC ± 0.15 ANGLES ± 3 | | PRODUCT SPEC 108-60034 | SIZE A2 | CAGE CODE 00779 | DRAWING NO C-1932638 |
| MATERIAL | | FINISH | WEIGHT | RESTRICTED TO | |
| | | | CUSTOMER DRAWING | SCALE NTS | SHEET 3 of 4 |
| | | | | REV H | |

THIS DRAWING IS UNPUBLISHED. RELEASED FOR PUBLICATION
 © COPYRIGHT - By - ALL RIGHTS RESERVED.

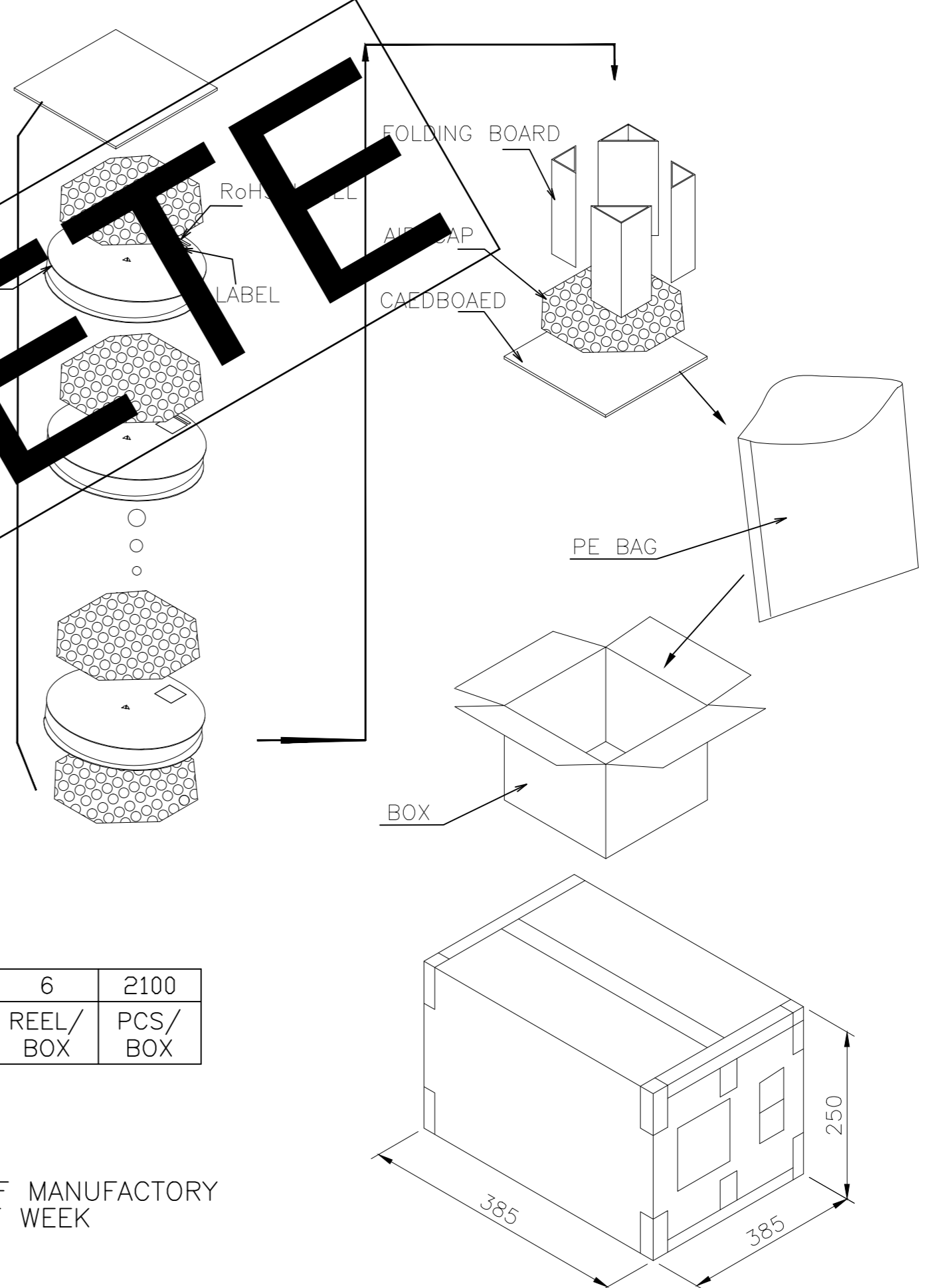
| LOC | | DIST | | REVISIONS | | | |
|-----|-----|-------------|------|-----------|------|---|--|
| P | LTR | DESCRIPTION | DATE | DWN | APVD | | |
| - | - | - | - | - | - | - | |



FOR 1932638-2 PACKAGE



OBSOLETE



| | | | | |
|--------------|------------|-----------|-----------|----------|
| 8.42KG | 4.284KG | 250 | 6 | 2100 |
| GROSS WEIGHT | NET WEIGHT | PCS/ REEL | REEL/ BOX | PCS/ BOX |

DATECODE
 XXXXXXXX
 LINE OF MANUFACTORY
 DAY OF WEEK
 WEEK
 YEAR

- NOTES :
- PACKAGING MATERIAL IN PLASTIC, RUBBER, INK, PIGMENT AND PAINT MUST MEET CONTROLLED SUBSTANCES PER TEC-138-702
 - * CADMIUM AND CADMIUM COMPOUNDS NOT TO EXCEED: 5 PPM.
 - * LEAD, CADMIUM, CHROM VI AND MERCURY NOT TO EXCEED: 100 PPM (COMBINED).
 - * CARRIER TAPES, COVER TAPES, REELS AND TAPED COMPONENTS MUST MEET THE REQUIREMENTS DEFINED PER EIA-481-B.
 - MATERIAL :
 - COVER TAPE : PS, COLOR: TRANSPARENT.
 - CARRIER TAPE : HIPS, COLOR: TRANSPARENT.
 - REEL : PC BLUE
 - SHIPPING BOX: CORRUGATED FIBER

| | | | | | | | | | | | | | | | | | | |
|---|--------|---------------------------------|--|-------|--------------|-----------------|----------|-------|--------|-------|--------|--------|-----|---------------------------|------------|--------------------|-------------------------|--------------------|
| THIS DRAWING IS A CONTROLLED DOCUMENT. | | DWN ADAMS LV 21SEP2013 | TE Connectivity | | | | | | | | | | | | | | | |
| DIMENSIONS: mm | | CHK MARTIN LI 21SEP2013 | | | | | | | | | | | | | | | | |
| TOLERANCES UNLESS OTHERWISE SPECIFIED: | | APVD STEVEN YAO 21SEP2013 | NAME RECEPTACLE ASSEMBLY RIGHT ANGLE SMT USB 2.0 | | | | | | | | | | | | | | | |
| <table border="1"> <tr><td>0 PLC</td><td>± 0.25</td></tr> <tr><td>1 PLC</td><td>± 0.20</td></tr> <tr><td>2 PLC</td><td>± 0.20</td></tr> <tr><td>3 PLC</td><td>± 0.15</td></tr> <tr><td>4 PLC</td><td>± 0.15</td></tr> <tr><td>ANGLES</td><td>± 3</td></tr> </table> | | 0 PLC | ± 0.25 | 1 PLC | ± 0.20 | 2 PLC | ± 0.20 | 3 PLC | ± 0.15 | 4 PLC | ± 0.15 | ANGLES | ± 3 | PRODUCT SPEC 108-60034 | SIZE A2 | CAGE CODE 00779 | DRAWING NO C-1932638 | RESTRICTED TO - |
| 0 PLC | ± 0.25 | | | | | | | | | | | | | | | | | |
| 1 PLC | ± 0.20 | | | | | | | | | | | | | | | | | |
| 2 PLC | ± 0.20 | | | | | | | | | | | | | | | | | |
| 3 PLC | ± 0.15 | | | | | | | | | | | | | | | | | |
| 4 PLC | ± 0.15 | | | | | | | | | | | | | | | | | |
| ANGLES | ± 3 | | | | | | | | | | | | | | | | | |
| MATERIAL | | FINISH | WEIGHT | | SCALE NTS | SHEET 4 of 4 | REV H | | | | | | | | | | | |
| | | CUSTOMER DRAWING | | | | | | | | | | | | | | | | |

X-ON Electronics

Largest Supplier of Electrical and Electronic Components

Click to view similar products for [USB Connectors](#) category:

Click to view products by [TE Connectivity](#) manufacturer:

Other Similar products are found below :

[10033527-N3112MLF](#) [17-210561](#) [GMCB05B11124H1EU](#) [17-200931](#) [65-647-8-BK-BU](#) [690-010-295-484](#) [73725-1191BLF](#) [950](#) [E8144-B01021-L](#) [A-USB A-LP-SMT-C](#) [A-USB B-TOP-C](#) [MUSBA511N5](#) [MUSBB15131](#) [MUSBC111M5](#) [MUSBD11135](#) [896-30-004-00-000000](#) [KUSBVX-BS1N-W30](#) [KUSBX-AP-KIT-SCBLK](#) [KUSBX-AS2N-W](#) [KUSBX-SMT2AP1S-W](#) [KUSBX-SMTBS1NBTR](#) [30-498-6](#) [17-200261](#) [17-210051](#) [1734082-1](#) [FK-37-32SL](#) [30-1574](#) [30-470](#) [30-489](#) [30-541](#) [30-572-3](#) [30-9503](#) [MAB 8 SN V](#) [MIKROE-1451](#) [33UBBR-04SW11R](#) [USBFTV2PEM2G](#) [USBFTVC6ZN](#) [USBFTVSCCG](#) [KUSBX-AS2N-W30](#) [KUSBX-SLAS1N-W](#) [KUSBX-SMT-AS1N-W30](#) [1-1734084-2](#) [E8110-001-01](#) [MUSBC11135](#) [NK-27-32SL](#) [33UBAR-04SW11](#) [USBF21ZNSCC](#) [USBBFTV6ZC](#) [73725-1180RLF](#) [73725-0110RLF](#)