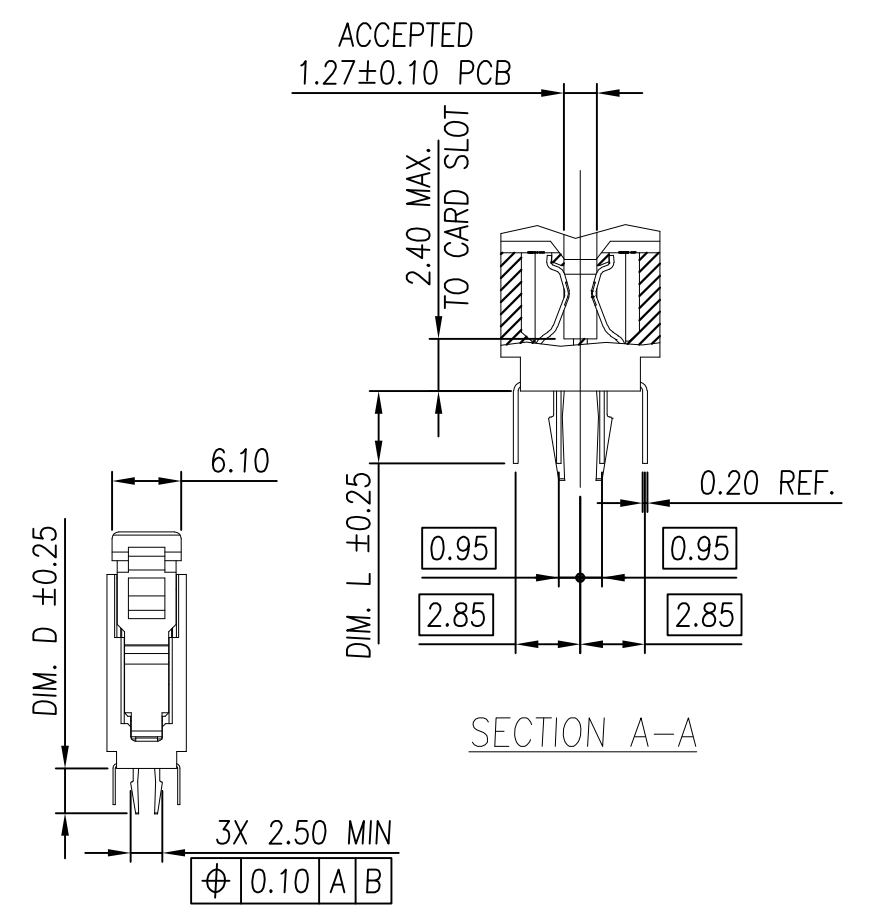
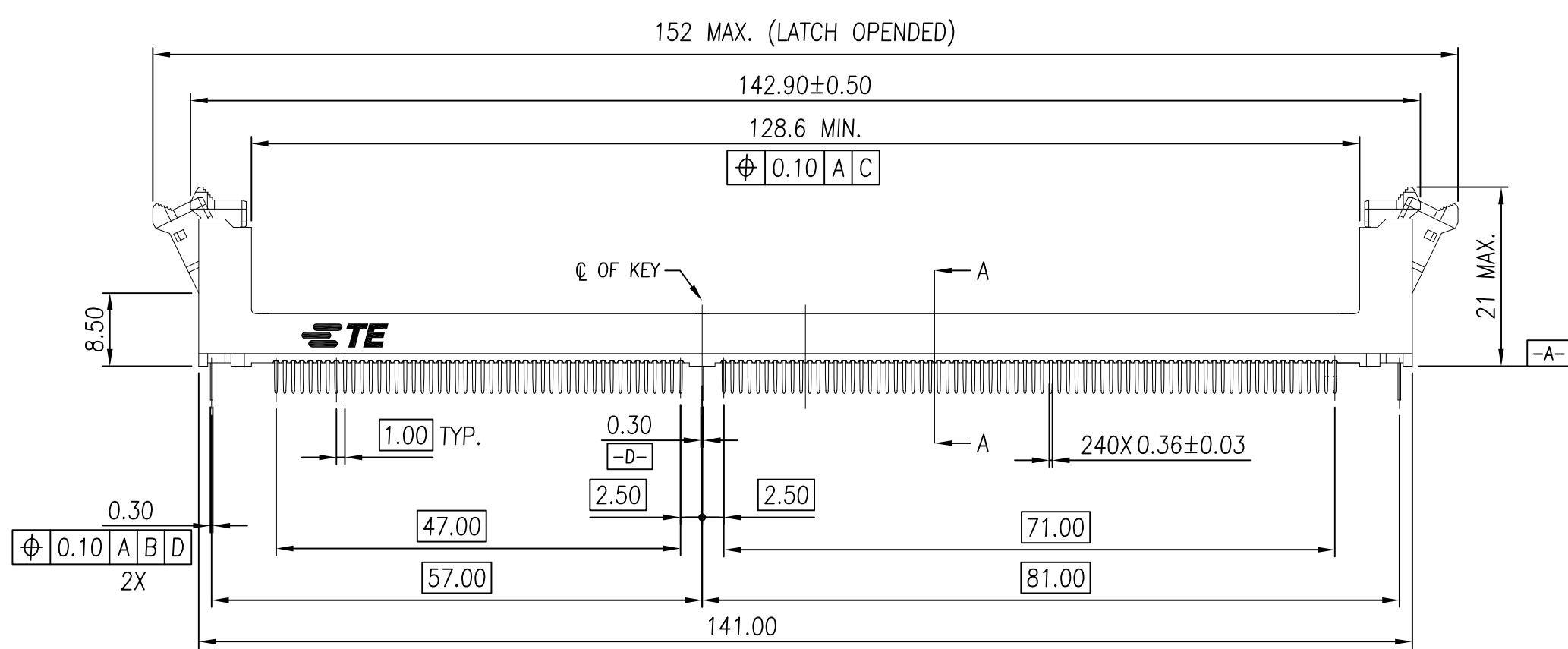
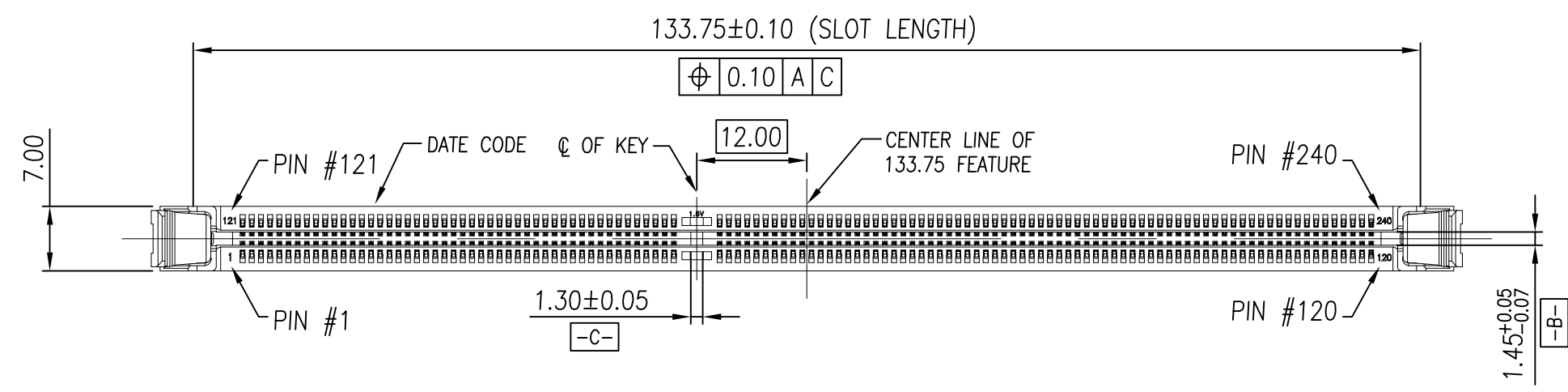



THIS DRAWING IS UNPUBLISHED. RELEASED FOR PUBLICATION  
 © COPYRIGHT - By - ALL RIGHTS RESERVED.

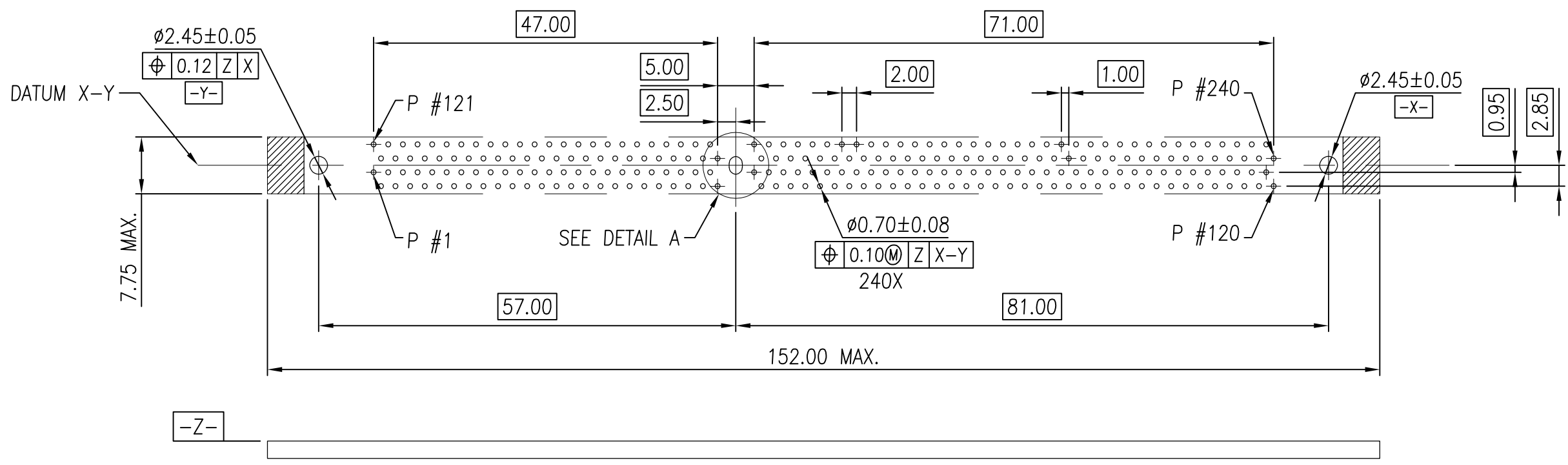
LOC	DIST	REVISIONS			
P	LTR	DESCRIPTION	DATE	DWN	APVD
		B7 PRELIMINARY	16DEC2014	D.Z	S.L



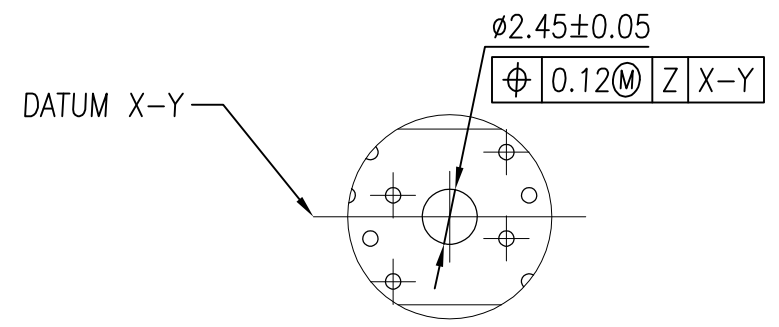
THIS DRAWING IS A CONTROLLED DOCUMENT.		DWN SIMON WU 30DEC2010	 TE Connectivity				
DIMENSIONS: mm		CHK BILL WONG 30DEC2010					
TOLERANCES UNLESS OTHERWISE SPECIFIED:		APVD COREL WANG 30DEC2010	NAME				
0 PLC ± - 1 PLC ± 0.30 2 PLC ± 0.15 3 PLC ± - 4 PLC ± - ANGLES ± 1°		PRODUCT SPEC 108-115019	SOCKET ASSEMBLY VLP DDR-III, T/H, 240P				
MATERIAL SEE NOTE		FINISH SEE NOTE	APPLICATION SPEC	SIZE A3	CAGE CODE 00779	DRAWING NO C-1932680	RESTRICTED TO
CUSTOMER DRAWING			WEIGHT 7.82	SCALE 3:2	SHEET 1 OF 6	REV B7	

THIS DRAWING IS UNPUBLISHED. RELEASED FOR PUBLICATION  
 © COPYRIGHT - By - ALL RIGHTS RESERVED.

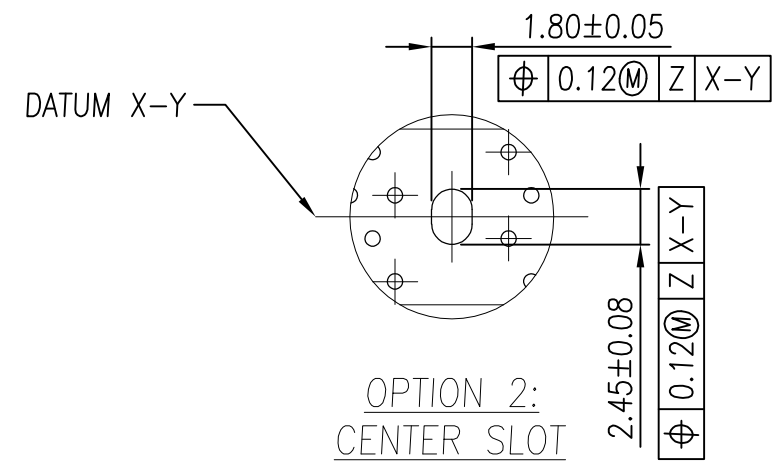
LOC	DIST	REVISIONS			
P	LTR	DESCRIPTION	DATE	DWN	APVD
-	-	SEE SHEET 1	-	-	-



RECOMMENDED PCB LAYOUT (TOP VIEW)




OPTION 1:  
CENTER ROUND  
HOLE



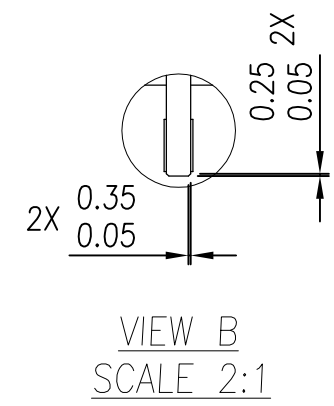
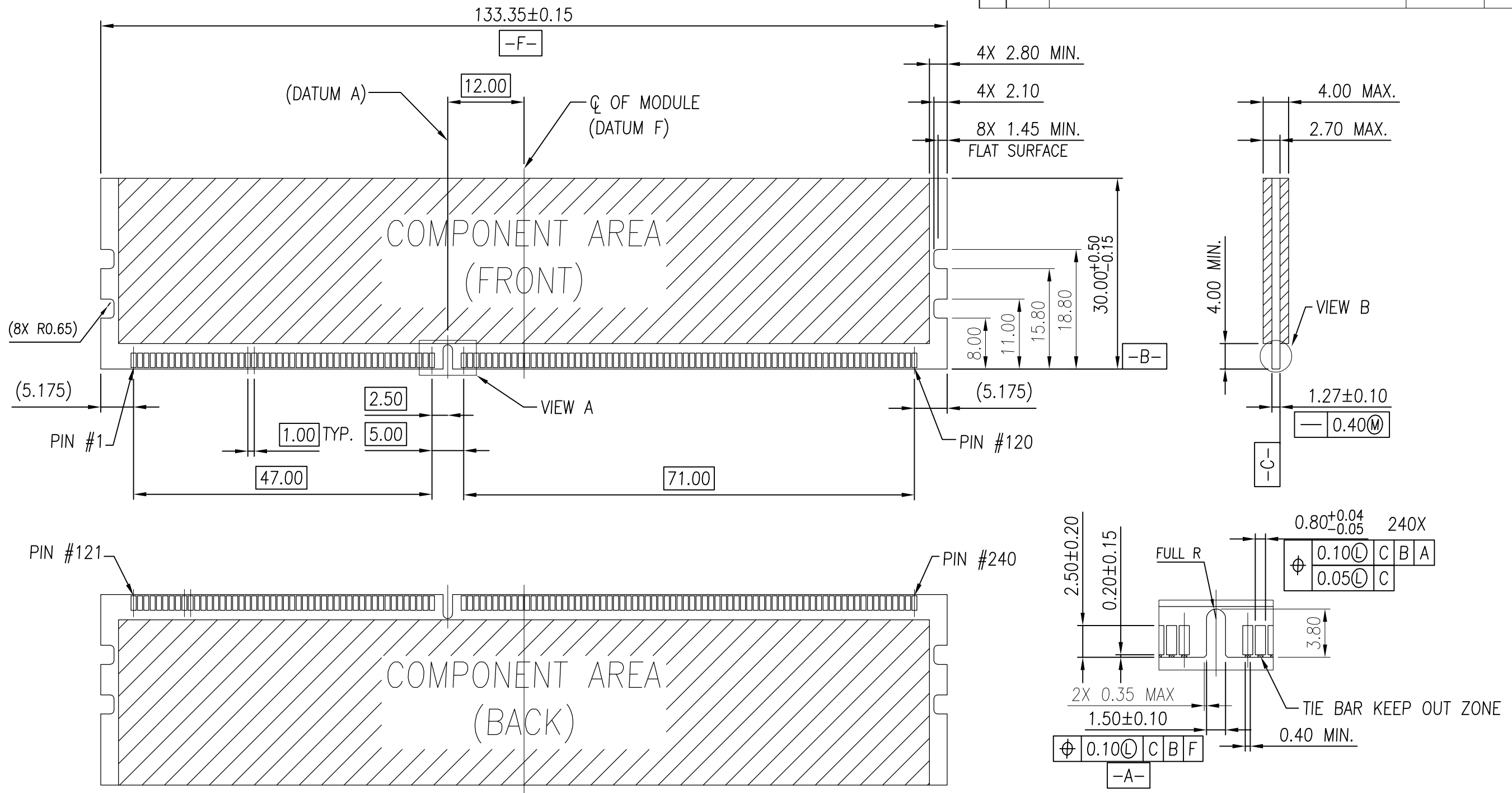
OPTION 2:  
CENTER SLOT

DETAIL A  
SCALE 3:1

THIS DRAWING IS A CONTROLLED DOCUMENT.		DWN SIMON WU 30DEC2010	 TE Connectivity				
DIMENSIONS: mm		CHK BILL WONG 30DEC2010					
TOLERANCES UNLESS OTHERWISE SPECIFIED:		APVD COREL WANG 30DEC2010	NAME				
0 PLC ± - 1 PLC ± 0.30 2 PLC ± 0.15 3 PLC ± - 4 PLC ± - ANGLES ± 1°		PRODUCT SPEC	SOCKET ASSEMBLY VLP DDR-III, T/H, 240P				
MATERIAL SEE NOTE		FINISH SEE NOTE	APPLICATION SPEC	SIZE A3	CAGE CODE 00779	DRAWING NO C-1932680	RESTRICTED TO
CUSTOMER DRAWING			WEIGHT -	SCALE 3:2	SHEET 2 OF 6	REV B7	

THIS DRAWING IS UNPUBLISHED. RELEASED FOR PUBLICATION  
 © COPYRIGHT - By - ALL RIGHTS RESERVED.

LOC	DIST	P	LTR	DESCRIPTION	DATE	DWN	APVD
-	-	-	-	SEE SHEET 1	-	-	-

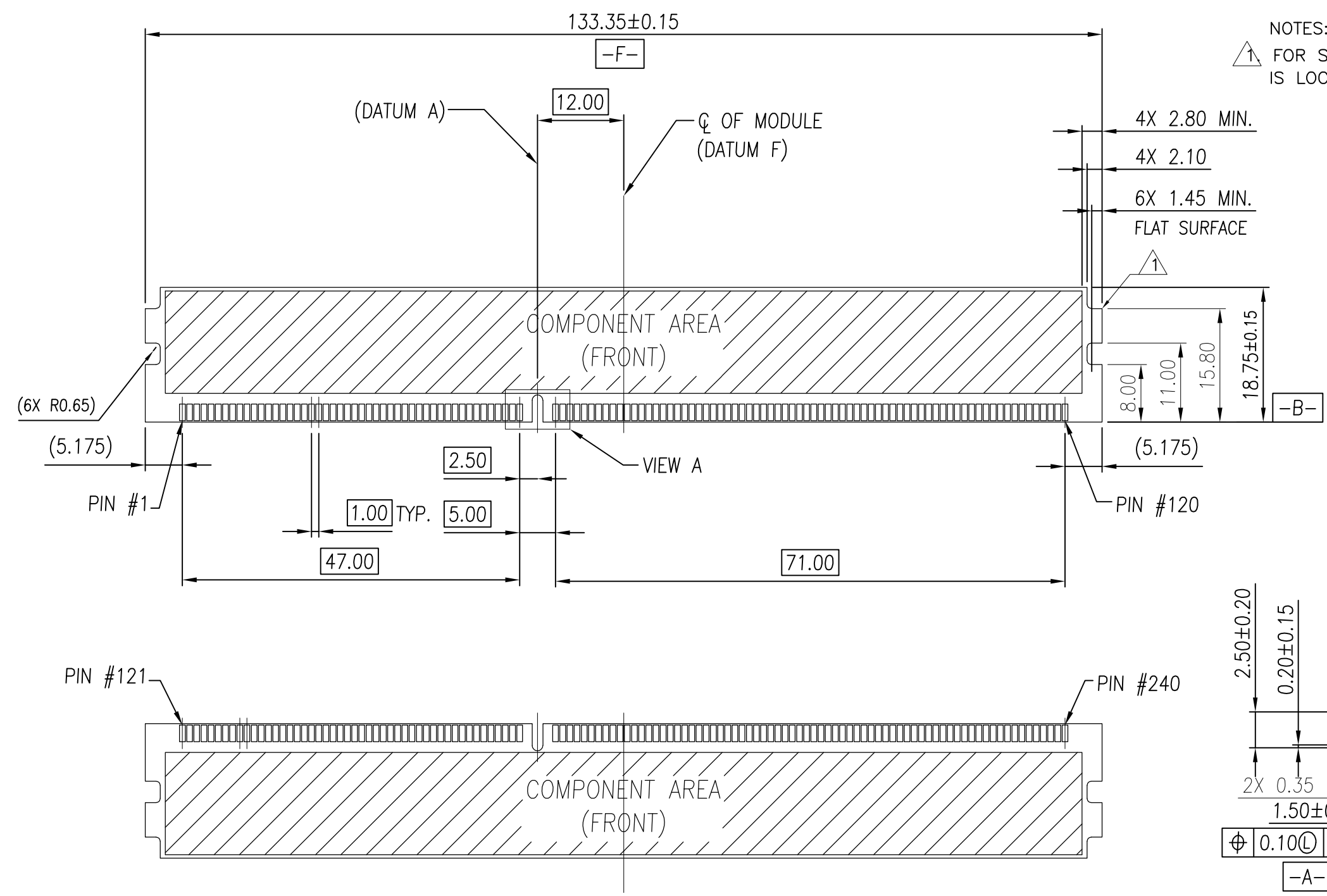


VIEW A  
SCALE 2:1

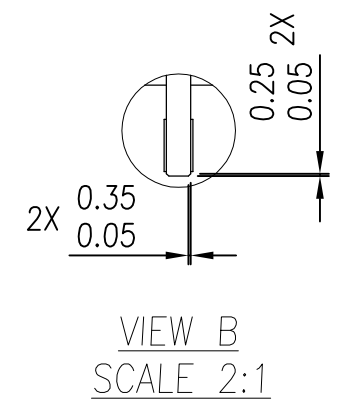
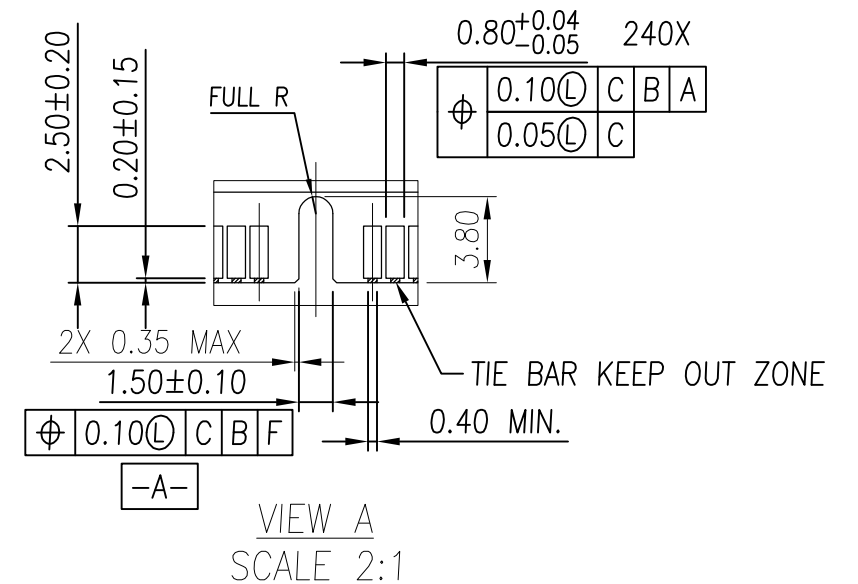
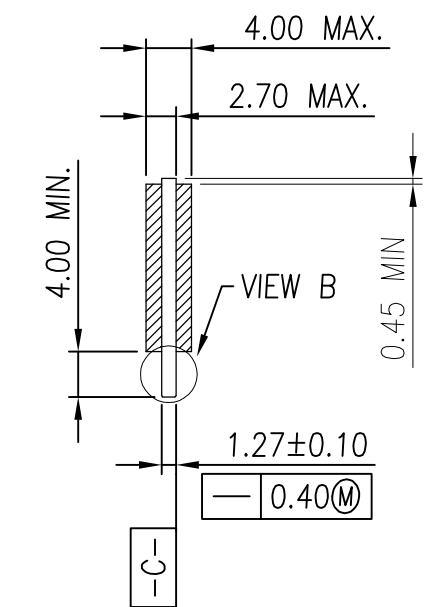
THIS DRAWING IS A CONTROLLED DOCUMENT.		DWN SIMON WU 30DEC2010	TE Connectivity			
DIMENSIONS: mm		CHK BILL WONG 30DEC2010				
TOLERANCES UNLESS OTHERWISE SPECIFIED:		APVD COREL WANG 30DEC2010	NAME SOCKET ASSEMBLY VLP DDR-III, T/H, 240P			
0 PLC ± -		PRODUCT SPEC	SIZE	CAGE CODE	DRAWING NO	RESTRICTED TO
1 PLC ± 0.30		APPLICATION SPEC	A3	00779	C-1932680	-
2 PLC ± 0.15		WEIGHT	CUSTOMER DRAWING		SCALE	SHEET
3 PLC ± -		FINISH	3:2		3 OF 6	REV
4 PLC ± -		SEE NOTE	B7			
ANGLES ± 1°						

THIS DRAWING IS UNPUBLISHED. RELEASED FOR PUBLICATION  
 © COPYRIGHT - By - ALL RIGHTS RESERVED.

LOC	DIST	REVISIONS			
P	LTR	DESCRIPTION	DATE	DWN	APVD
-	-	SEE SHEET 1	-	-	-



NOTES:  
 △ FOR STD VLP MODULE, THE LATCH OF CONNECTOR IS LOCKED BY UPPER NOTCH.



THIS DRAWING IS A CONTROLLED DOCUMENT.		DWN SIMON_WU 30DEC2010	TE Connectivity			
DIMENSIONS: mm		CHK BILL_WONG 30DEC2010				
TOLERANCES UNLESS OTHERWISE SPECIFIED:		APVD COREL_WANG 30DEC2010	NAME SOCKET ASSEMBLY VLP DDR-III, T/H, 240P			
0 PLC ± -		PRODUCT SPEC	SIZE	CAGE CODE	DRAWING NO	RESTRICTED TO
1 PLC ± 0.30		APPLICATION SPEC	A3	00779	C-1932680	-
2 PLC ± 0.15		WEIGHT	SCALE 3:2		SHEET 4 OF 6	REV B7
3 PLC ± -		MATERIAL SEE NOTE	CUSTOMER DRAWING			
4 PLC ± -		FINISH SEE NOTE				
ANGLES ± 1°						

THIS DRAWING IS UNPUBLISHED. RELEASED FOR PUBLICATION  
 © COPYRIGHT - By - ALL RIGHTS RESERVED.

LOC		DIST		REVISIONS			
P	LTR	DESCRIPTION		DATE	DWN	APVD	
-	-	-	-	SEE SHEET 1	-	-	


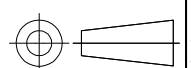
NOTES:

1. MATERIAL:
  - 1.1 HOUSING: THERMOPLASTIC, UL94V-0; COLOR: SEE TABLE.
  - 1.2 LATCH: THERMOPLASTIC, UL94V-0; COLOR: SEE TABLE.
  - 1.3 CONTACT: COPPER ALLOY.
  - 1.4 BOARDLOCK: COPPER ALLOY.
2. FINISH:
  - 2.1 CONTACT:
    - GOLD PLATING THICKNESS ON CONTACT AREA: SEE TABLE.
    - THICKNESS 100u" MIN. MATTE-TIN PLATING ON SOLDER TAIL AREA.
    - THICKNESS 90u" MIN. NICKEL UNDERPLATING OVERALL FOR 20u" GOLDPLATING.
    - THICKNESS 50u" MIN. NICKEL UNDERPLATING OVERALL FOR OTHER GOLDPLATING.
    - SEALANT APPLY IN PLATING PROCESS.
  - 2.2 BOARDLOCK:
    - THICKNESS 50u" MIN. NICKEL UNDERPLATING OVERALL.
    - THICKNESS 100u" MIN. MATTE-TIN PLATING OVERALL.

3. CONFORMS TO THE REQUIREMENTS OF EIA/ECA-364-1000.01A (CONTROLLED ENVIRONMENT APPLICATIONS, AND TE PRODUCT SPECIFICATION.)

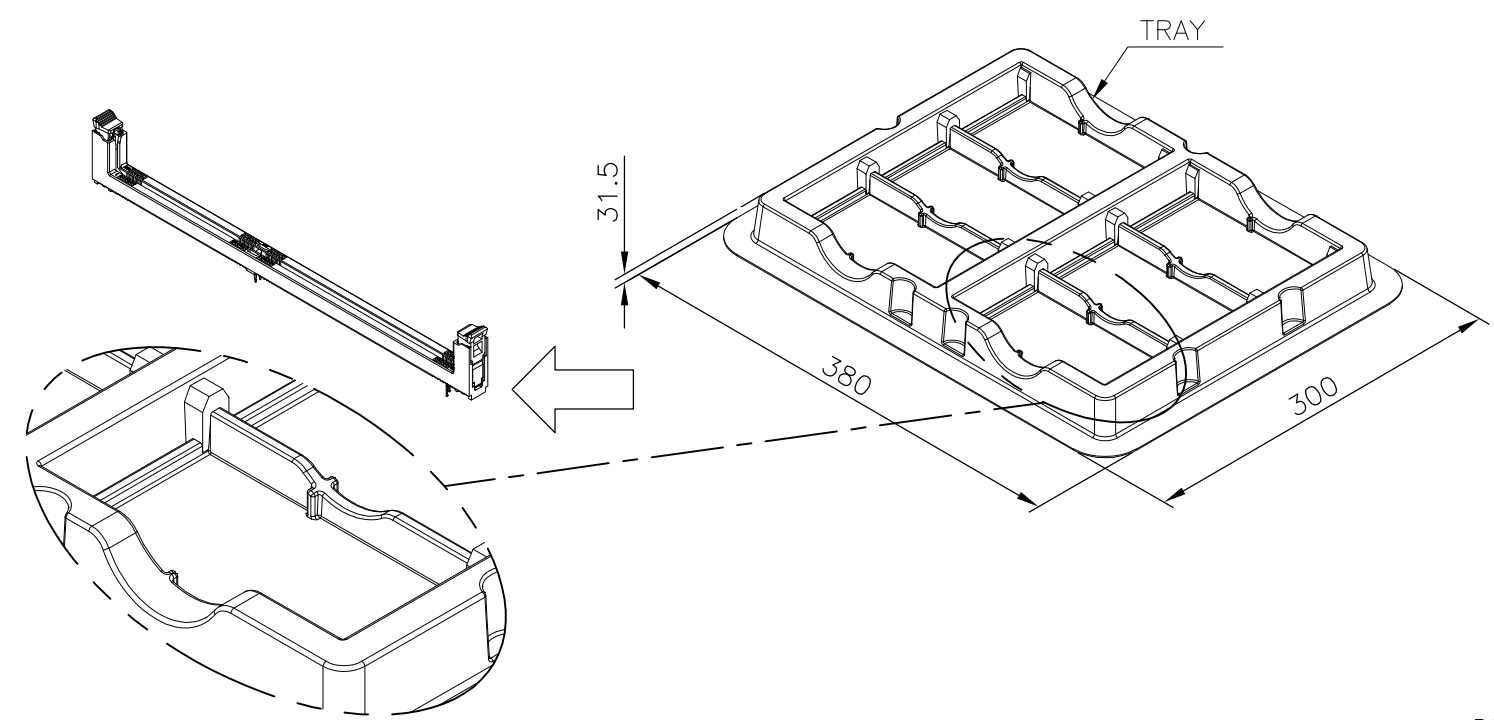
- 4. LLCR SPEC.: 30mΩ MAX. INITIAL, THE CHANGE NOT GREATER THAN 20mΩ AFTER ALL ENVIRONMENT TEST.
- 5. LLCR SPEC.: 10mΩ MAX. INITIAL, THE CHANGE NOT GREATER THAN 10mΩ AFTER ALL ENVIRONMENT TEST.

SEE NOTE 5	4.00	4.00	30u" MIN	NATURAL	BLACK	2-1932680-3
SEE NOTE 5	2.67	3.50	15u" MIN	NATURAL	BLUE(2935U)	2-1932680-2
SEE NOTE 5	2.67	3.50	15u" MIN	NATURAL	BLACK	2-1932680-1
SEE NOTE 5	3.18	4.00	30u" MIN	BLACK	BLACK	2-1932680-0
SEE NOTE 5	3.18	4.00	20u" MIN	GREEN(375C)	BLACK	1-1932680-9
			15u" MIN	NATURAL	BLUE(2935U)	1-1932680-8
			15u" MIN	NATURAL	BLACK	1-1932680-7
			20u" MIN	NATURAL	BLACK	1-1932680-6
SEE NOTE 5	2.54	3.50	20u" MIN	BLACK	BLACK	1-1932680-5
			20u" MIN	GREEN(375C)	BLACK	1-1932680-4
SEE NOTE 5	2.54	3.50	20u" MIN	NATURAL	BLACK	1-1932680-3
			20u" MIN	BLACK	BLACK	1-1932680-2
SEE NOTE 5	3.18	4.00	30u" MIN	NATURAL	BLACK	1-1932680-1
			20u" MIN	GREEN(375C)	BLACK	1-1932680-0
			15u" MIN	NATURAL	BLUE(2935U)	1932680-8
			15u" MIN	NATURAL	BLACK	1932680-6
SEE NOTE 4	3.18	4.00	20u" MIN	NATURAL	BLACK	1932680-4
			20u" MIN	BLACK	BLACK	1932680-2
LLCR SPEC.	DIM. L	DIM. D	CONTACT GOLD PLATING	LATCH COLOR	HOUSING COLOR	PART NUMBER

THIS DRAWING IS A CONTROLLED DOCUMENT.		DWN SIMON WU 30DEC2010	 TE Connectivity			
DIMENSIONS: mm		CHK BILL WONG 30DEC2010				
		APVD COREL WANG 30DEC2010	SOCKET ASSEMBLY VLP DDR-III, T/H, 240P			
TOLERANCES UNLESS OTHERWISE SPECIFIED:		PRODUCT SPEC	RESTRICTED TO			
0 PLC ± - 1 PLC ± 0.30 2 PLC ± 0.15 3 PLC ± - 4 PLC ± - ANGLES ± 1°		APPLICATION SPEC	SIZE	CAGE CODE	DRAWING NO	
MATERIAL SEE NOTE		FINISH SEE NOTE	WEIGHT -	A3	00779	C-1932680
CUSTOMER DRAWING			SCALE	SHEET	REV	
			3:2	5 OF 6	B7	

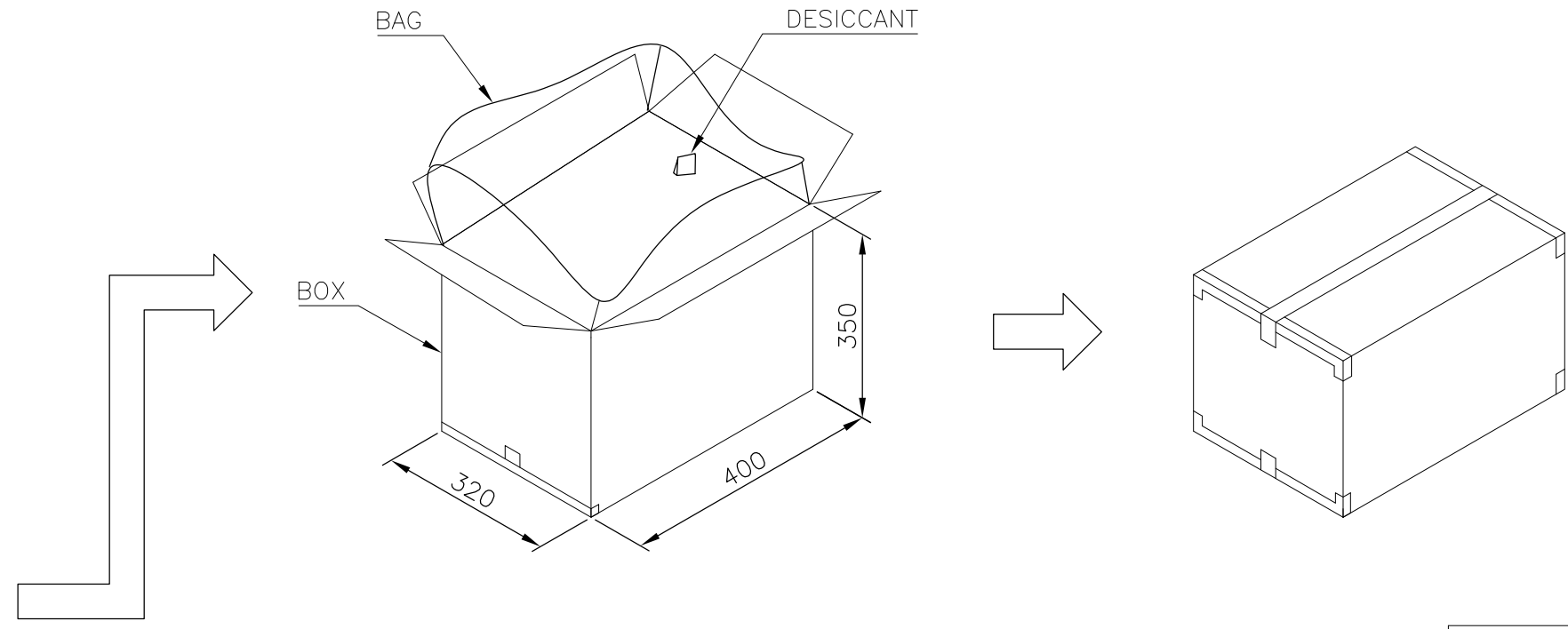
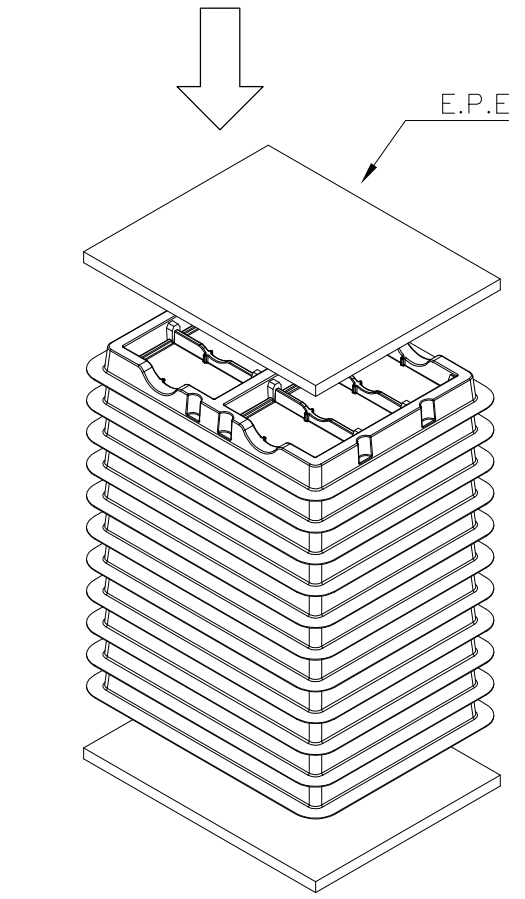
THIS DRAWING IS UNPUBLISHED. RELEASED FOR PUBLICATION  
 © COPYRIGHT - By - ALL RIGHTS RESERVED.

LOC	DIST	REVISIONS					
		P	LTR	DESCRIPTION	DATE	DWN	APVD
-	-	-	-	SEE SHEET 1	-	-	-



NOTES :  
 PACKING MATERIAL MET TE SPEC TEC-138-702.  
 \* CADMIUM AND CADMIUM COMPOUNDS CONTENT:  
 5 PPM UNDER (PLASTIC, RUBBER, INK, PIGMENT, PAINT)  
 \* LEAD, CADMIUM, CHROM VI AND MERCURY IN PACKAGING  
 MATERIALS CONTENT: 100 PPM (COMBINED) UNDER.

- MATERIAL :  
 TRAY: PVC, COLOR: TRANSPARENT.  
 BOX: CORRUGATED FIBER  
 TRANSPARENT BAG: PE, SIZE: 600mm\*450mm\*0.06mm
- EACH BAG SHALL BE INCLUDED:  
 \* DESICCANT



X.X KG	X.X KG	54	10	540
GROSS WEIGHT	NET WEIGHT	PCS/ TRAY	TRAY/ BOX	PCS/ BOX

THIS DRAWING IS A CONTROLLED DOCUMENT.		DWN SIMON WU 30DEC2010	<b>STE</b> TE Connectivity													
DIMENSIONS: mm		CHK BILL WONG 30DEC2010														
TOLERANCES UNLESS OTHERWISE SPECIFIED:		APVD COREL WANG 30DEC2010	NAME													
<table border="0"> <tr><td>0 PLC</td><td>± -</td></tr> <tr><td>1 PLC</td><td>± 0.30</td></tr> <tr><td>2 PLC</td><td>± 0.15</td></tr> <tr><td>3 PLC</td><td>± -</td></tr> <tr><td>4 PLC</td><td>± -</td></tr> <tr><td>ANGLES</td><td>± 1°</td></tr> </table>		0 PLC	± -	1 PLC	± 0.30	2 PLC	± 0.15	3 PLC	± -	4 PLC	± -	ANGLES	± 1°	PRODUCT SPEC		SOCKET ASSEMBLY VLP DDR-III, T/H, 240P
0 PLC	± -															
1 PLC	± 0.30															
2 PLC	± 0.15															
3 PLC	± -															
4 PLC	± -															
ANGLES	± 1°															
MATERIAL SEE NOTE		FINISH SEE NOTE														
		APPLICATION SPEC		RESTRICTED TO												
MATERIAL SEE NOTE		WEIGHT -		SIZE A3												
MATERIAL SEE NOTE		WEIGHT -		CAGE CODE 00779												
MATERIAL SEE NOTE		WEIGHT -		DRAWING NO C-1932680												
MATERIAL SEE NOTE		WEIGHT -		SCALE N/A												
MATERIAL SEE NOTE		WEIGHT -		SHEET 6 OF 6												
MATERIAL SEE NOTE		WEIGHT -		REV B7												
MATERIAL SEE NOTE		WEIGHT -		CUSTOMER DRAWING												

## **X-ON Electronics**

Largest Supplier of Electrical and Electronic Components

*Click to view similar products for [SIMM Connectors](#) category:*

*Click to view products by [TE Connectivity](#) manufacturer:*

Other Similar products are found below :

[151058-0001](#) [1510500001](#) [440360-2](#) [5821950-7](#) [5821997-3](#) [5822019-4](#) [5822021-4](#) [5822021-5](#) [5822030-3](#) [5822030-4](#) [5822134-3](#) [5822469-4](#)  
[1932680-2](#) [5822097-3](#) [5822138-4](#) [6318228-1](#) [7-5382482-2](#) [8-382486-0](#) [7-5382483-2](#) [7-382486-2](#) [7-5382486-2](#) [7-5382487-2](#) [8-5382486-0](#)