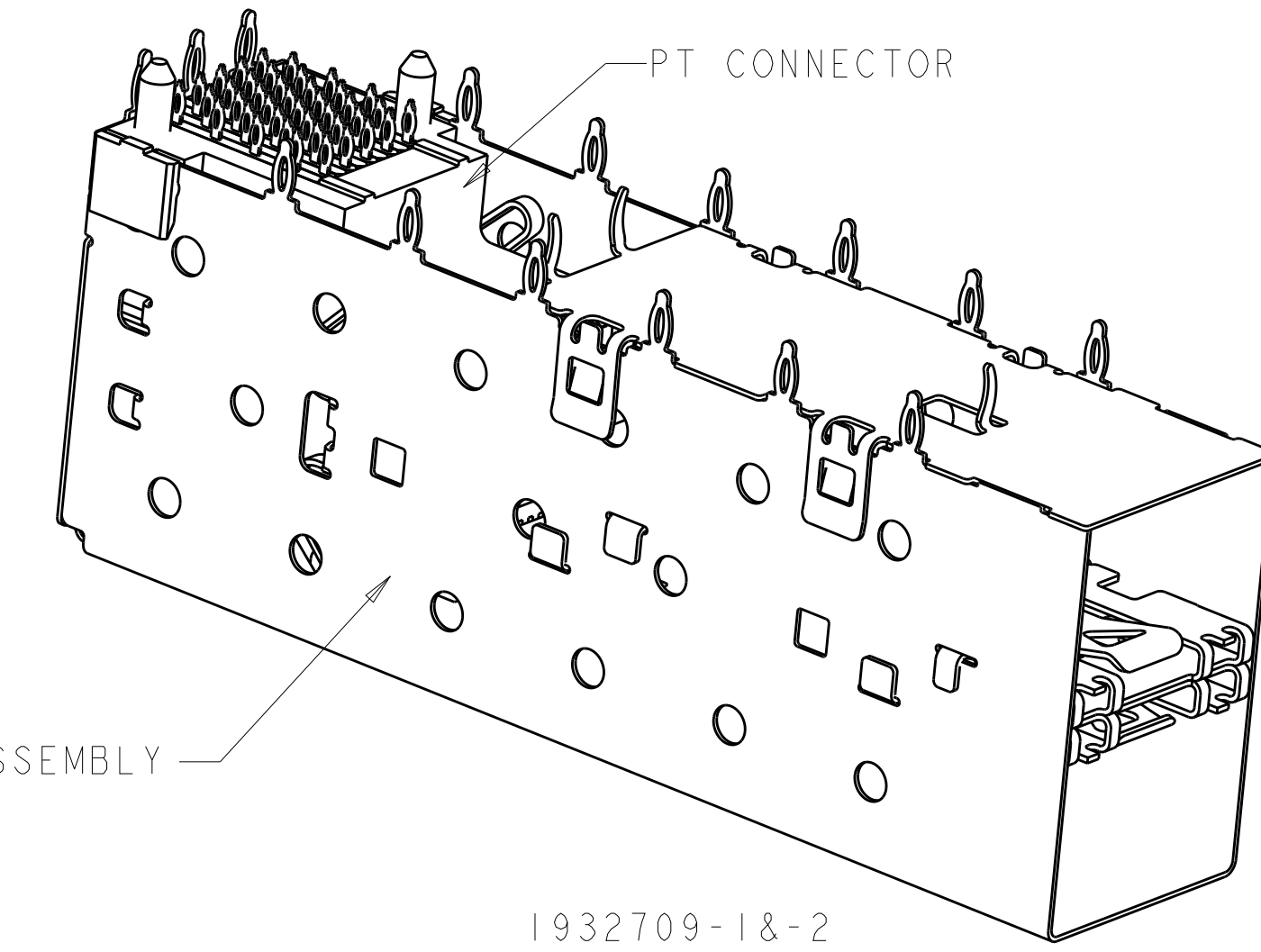
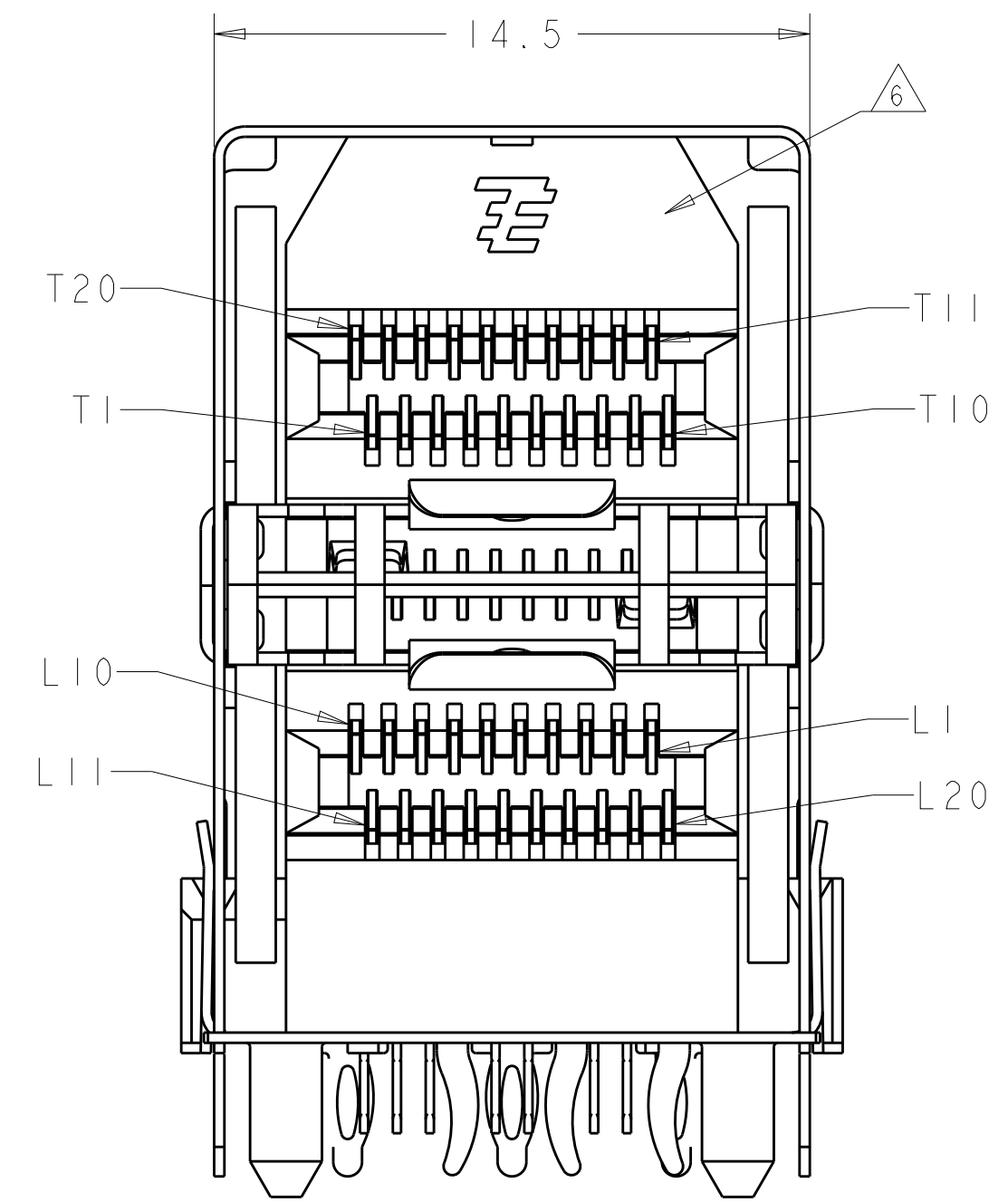
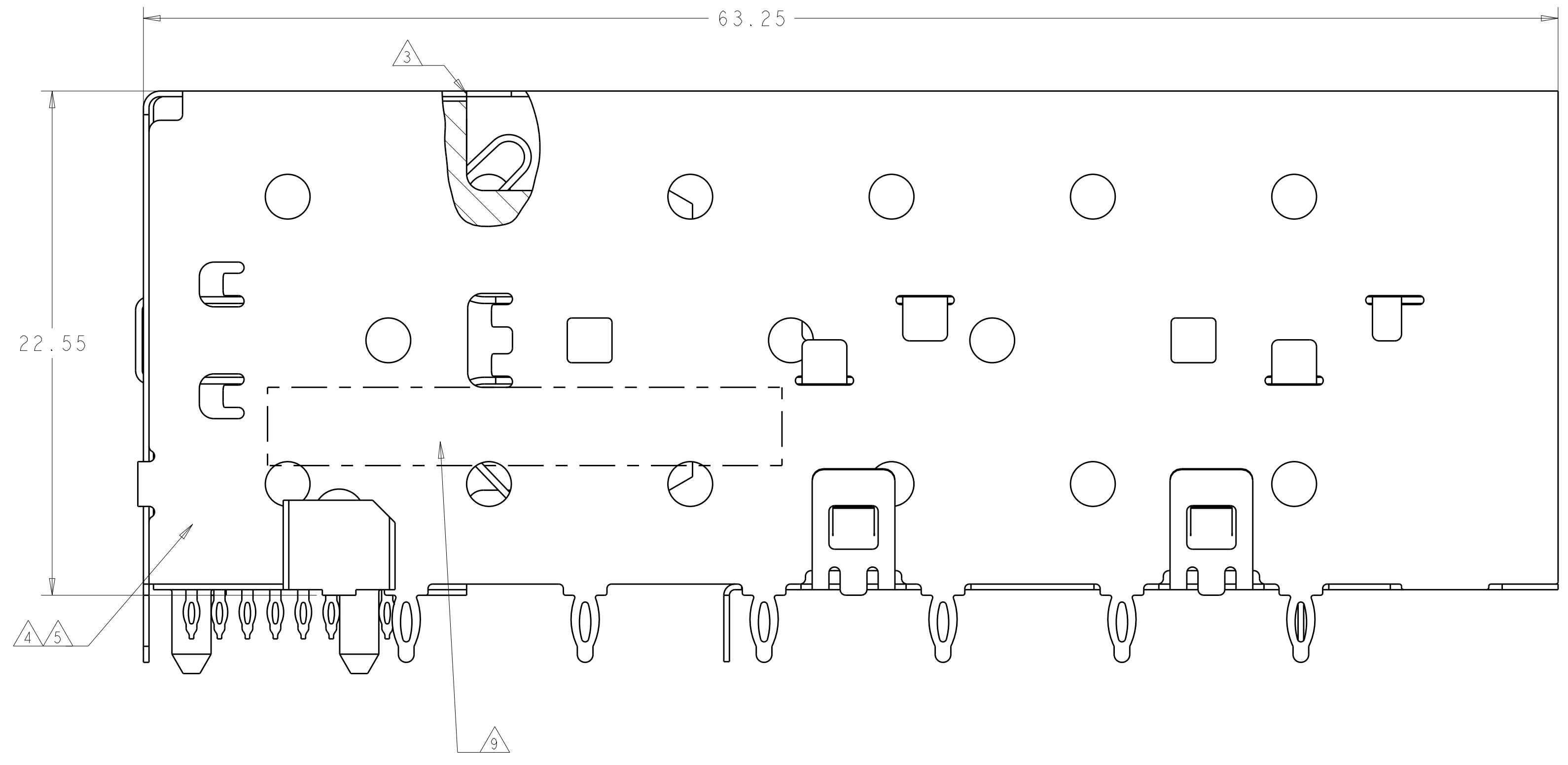


LOC	DIST	REVISIONS					
		P	LTN	DESCRIPTION	DATE	DWN	APVD
ES	00	A		INITIAL RELEASE	27FEB2012	JY	AC
		B		REVISED PER ECO-14-000886	20FEB2014	JW	SH
		B1		REVISED PER ECO-14-010419	11JUL2014	JW	SH
		C		REVISED PER ECO-15-013594	25SEP2015	JW	SH

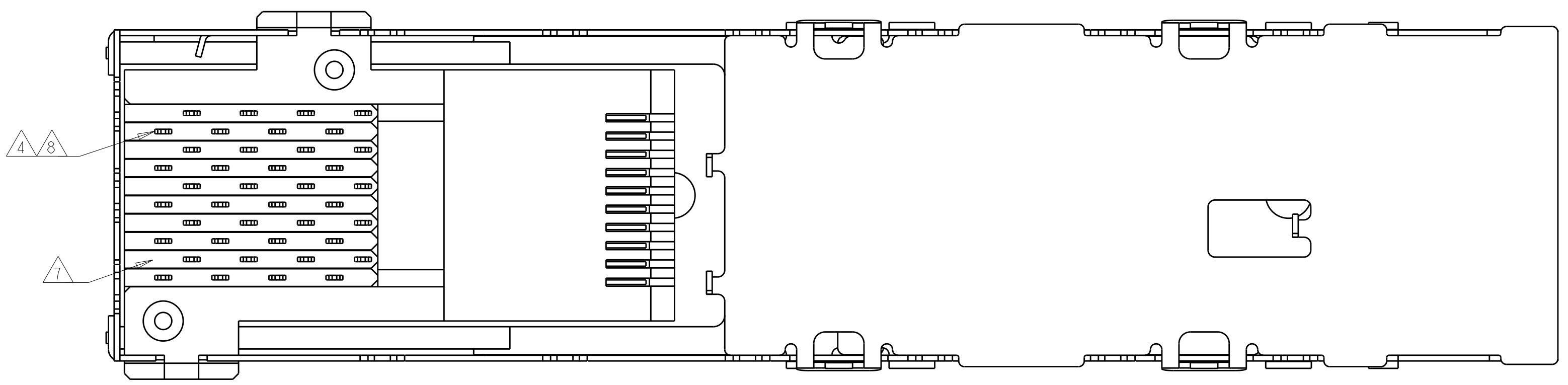


2X1 CAGE ASSEMBLY

1932709-18-2  
SCALE 3:1



- ① DATUM AND BASIC DIMENSION TO BE DETERMINED BY CUSTOMER.
- ② INTERPRETATION OF DATUM REFERENCE FRAME IN ACCORDANCE WITH SECT 4.4.1.1 OF ASME Y14.5M-1994.
- ③ TOP OF PT CONNECTOR TO BE 0-0.15 FROM INSIDE SURFACE OF CAGE.
- ④ COPPER ALLOY.
- ⑤ 1.25umMIN TIN PER ASTM B 545 OVER NICKEL FLASH PER QQ-N-290. NON-PLATED EDGES PERMISSIBLE.
- ⑥ LCP, HIGH TEMPERATURE, UL 94V-0 RATED, BLACK.
- ⑦ POLYESTER, UL 94V-0 RATED, BLACK.
- ⑧ CONTACT MATING AREA: SURFACE TREATMENT OVER 0.76um MIN GOLD PER ASTM B 488 OVER 1.27um MIN NICKEL PER QQ-N-290. NEEDLE EYE: 1.25um MIN TIN PER ASTM B 545 OVER 1.27um MIN NICKEL PER QQ-N-290. REMAINDER OF CONTACT: 0.76um MIN NICKEL PER QQ-N-290.
- ⑨ DATE CODE AND PART NUMBER IN APPROXIMATE LOCATION SHOWN
- ⑩ NICKEL SILVER ALLOY(NO PLATING)

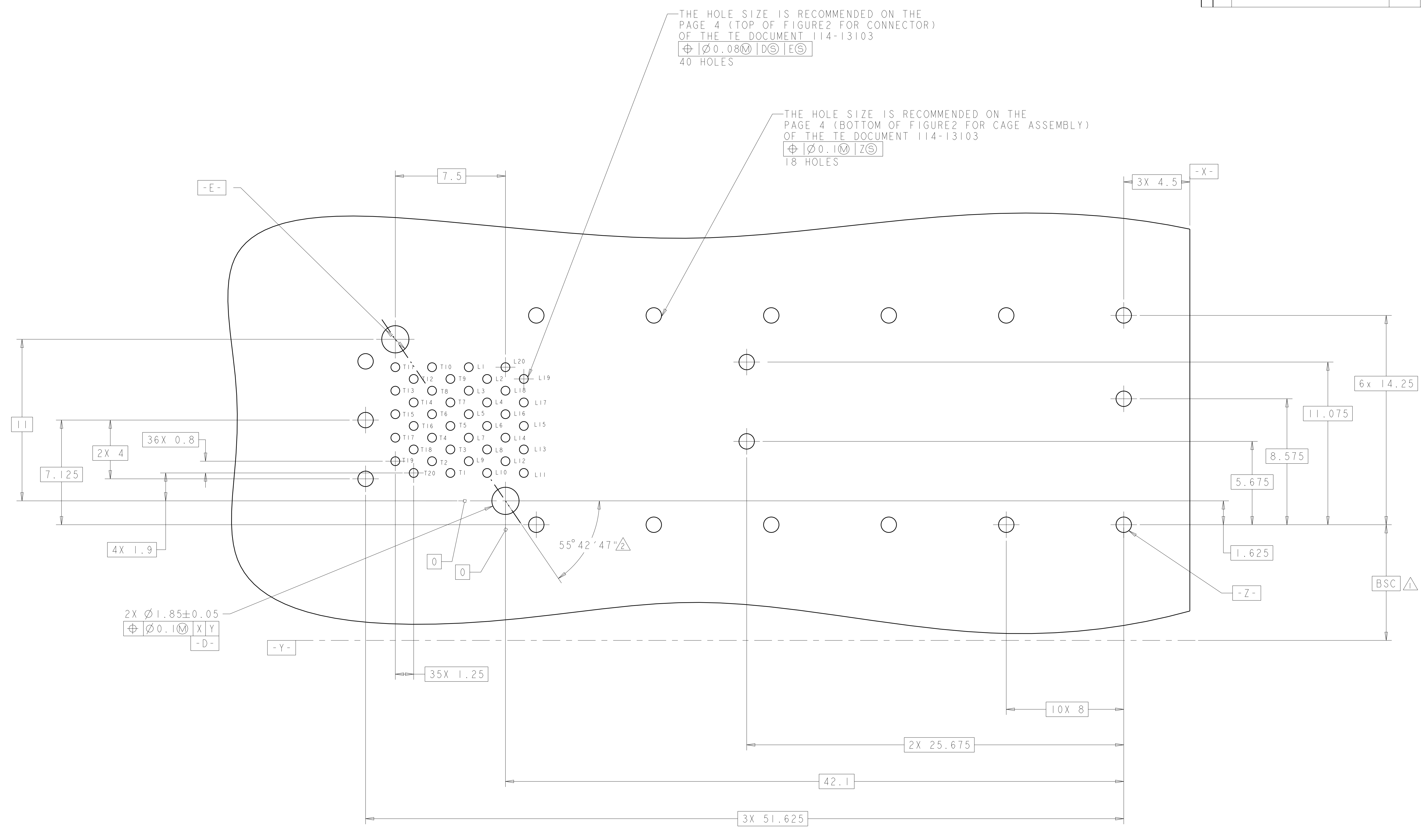


**SUPERSEDED BY:**  
1932709-2

⑧	④, ⑤	NO	⑩	1932709-2
CONNECTOR FINISH	CONNECTOR MATERIAL	CAGE FINISH	CAGE MATERIAL	PART NUMBER

THIS DRAWING IS A CONTROLLED DOCUMENT.		DWN	15SEP2010	NO		⑩	1932709-2
DIMENSIONS:		CHK	Jason Yang	NAME		CAGE AND PT CONNECTOR ASSEMBLY, 2x1, PRESS FIT, LOW PROFILE, W/O EMI SPRINGS, SFP	
mm		APVD	Wang Manliang	PRODUCT SPEC		SIZE	
0 PLC ±		PRODUCT SPEC	108-2161	APPLICATION SPEC		A100779C=1932709	
2 PLC ±0.1		WEIGHT	114-13103	RESTRICTED TO		SCALE 1:1 SHEET 1 OF 3 REV C	
3 PLC ±		Customer Drawing					
4 PLC ±							
ANGLES ±							
FINISH							

LOC	DIST	REVISIONS			
P	LTH	DESCRIPTION	DATE	DWN	APVD
-	-	SEE SHEET 1	-	-	-



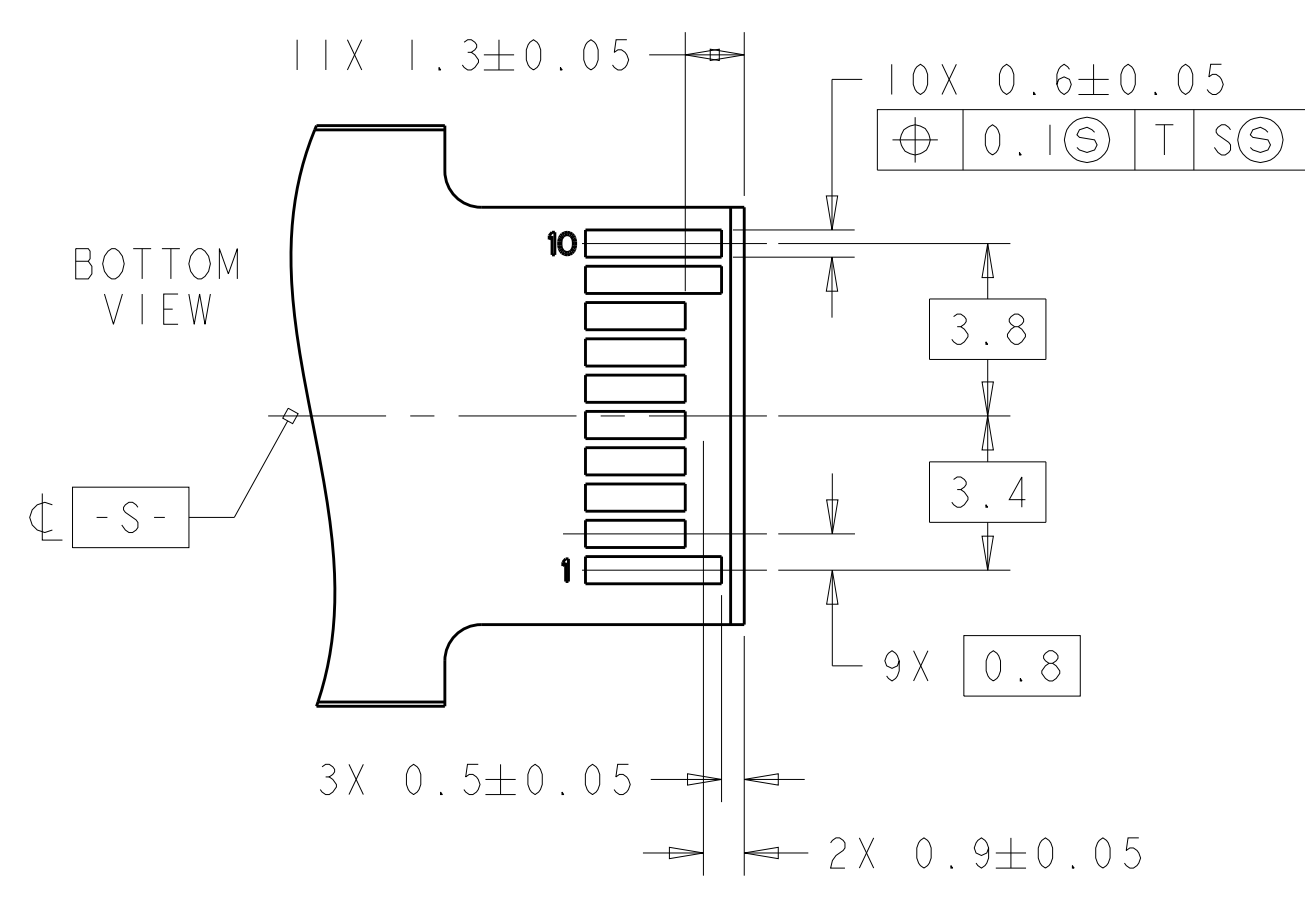
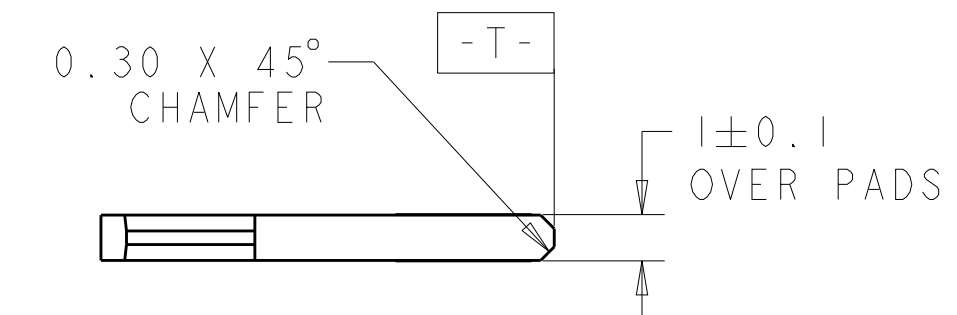
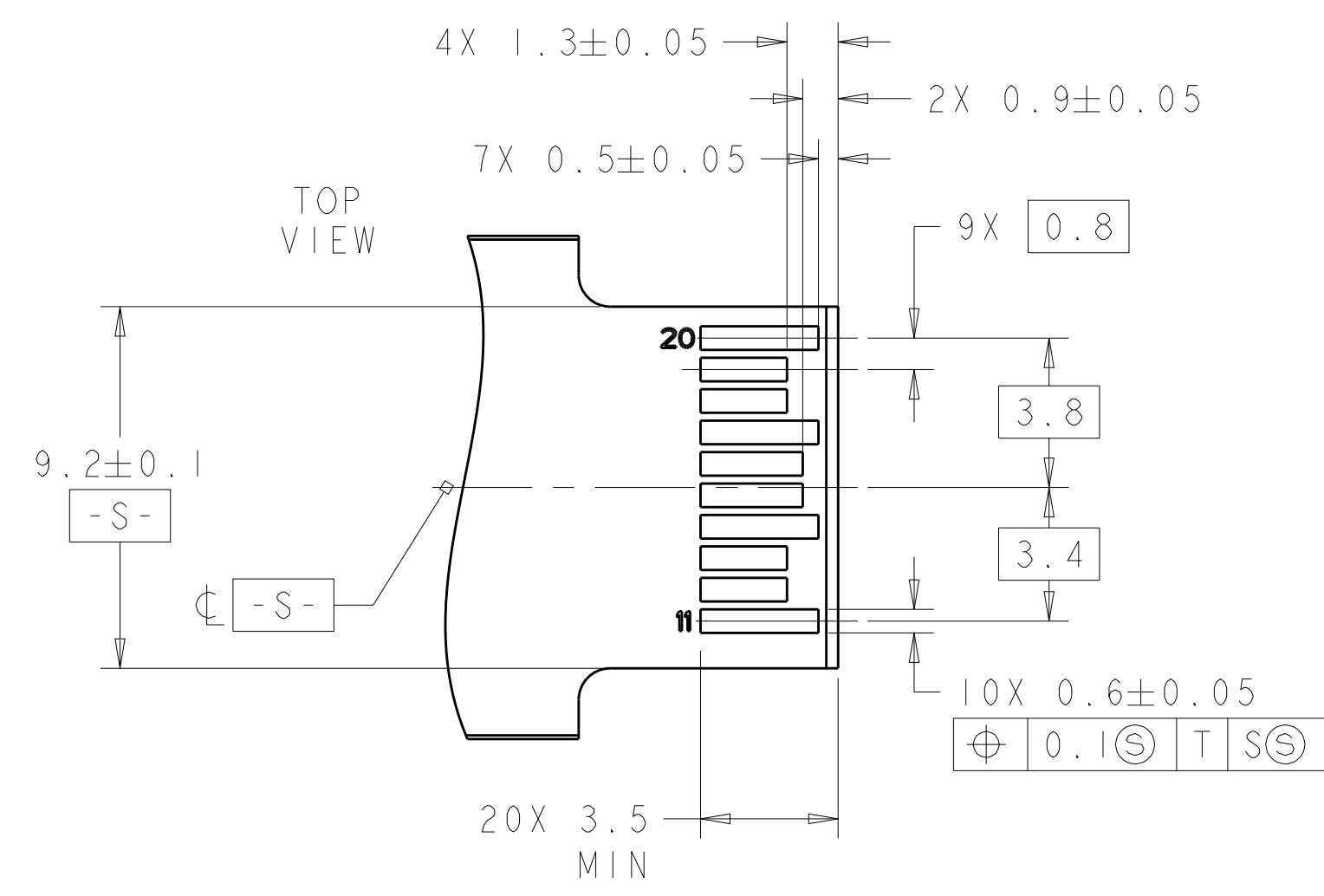
THE HOLE SIZE IS RECOMMENDED ON THE  
 PAGE 4 (TOP OF FIGURE2 FOR CONNECTOR)  
 OF THE TE DOCUMENT 114-13103  
 $\varnothing 0.08 \text{ (M)}$  |  $\text{DS}$  |  $\text{ES}$   
 40 HOLES

THE HOLE SIZE IS RECOMMENDED ON THE  
 PAGE 4 (BOTTOM OF FIGURE2 FOR CAGE ASSEMBLY)  
 OF THE TE DOCUMENT 114-13103  
 $\varnothing 0.1 \text{ (M)}$  |  $\text{ZS}$   
 18 HOLES

SFP HOST BOARD  
 MECHANICAL LAYOUT  
 SCALE 8:1

THIS DRAWING IS A CONTROLLED DOCUMENT.		DWN: Jason Yang 15SEP2010		TE Connectivity
DIMENSIONS: mm		CHK: Wang Manqian 15SEP2010		
TOLERANCES UNLESS OTHERWISE SPECIFIED:		APVD: Wang Manqian 15SEP2010	NAME: CAGE AND PT CONNECTOR ASSEMBLY, 2x1, PRESS FIT, LOW PROFILE, W/O EMI SPRINGS, SFP	
0 PLC ±		PRODUCT SPEC: 108-2161	SIZE: A1	
1 PLC ±0.1		APPLICATION SPEC: 114-13103	CAGE CODE: 00779	
2 PLC ±		WEIGHT: -	DRAWING NO: 1932709	
3 PLC ±		MATERIAL: -	SCALE: 1:1	
4 PLC ±		FINISH: -	SHEET 2 OF 3	
ANGLES ±		Customer Drawing	REV C	

LOC		DIST		REVISIONS			
P	LTN	DESCRIPTION	DATE	DWN	APVD		
-	-	SEE SHEET 1	-	-	-		



RECOMMENDED LAYOUT FOR  
 MATING TRANSCEIVER PCB  
 SCALE 6:1

THIS DRAWING IS A CONTROLLED DOCUMENT.		DWN Jason Yang 15SEP2010	TE Connectivity
DIMENSIONS: mm		CHK Wang Manqian 15SEP2010	
TOLERANCES UNLESS OTHERWISE SPECIFIED:		APVD Wang Manqian 15SEP2010	NAME CAGE AND PT CONNECTOR ASSEMBLY, 2x1, PRESS FIT, LOW PROFILE, W/O EMI SPRINGS, SFP
0 PLC ± 1 PLC ±0.1 2 PLC ± 3 PLC ± 4 PLC ± ANGLES ±		PRODUCT SPEC 108-2161	
MATERIAL		APPLICATION SPEC 114-13103	SIZE CAGE CODE DRAWING NO RESTRICTED TO
FINISH		WEIGHT	A100779C=1932709
		Customer Drawing	SCALE 8:1 SHEET 3 OF 3 REV C

## X-ON Electronics

Largest Supplier of Electrical and Electronic Components

*Click to view similar products for [I/O Connectors](#) category:*

*Click to view products by [TE Connectivity](#) manufacturer:*

Other Similar products are found below :

[571763P](#) [58098-0628](#) [72.250.1628.2](#) [72.250.2428.2](#) [74720-0505](#) [76.350.0729.0](#) [76871-1403](#) [FCN-244F080-G/1](#) [FCN-260A9920](#) [PCR-E36PM](#) [PCS-XE26MA+](#) [G38A71314B](#) [1571250010](#) [157-22500-3](#) [MS3471L14-19P L/C](#) [172501-4002](#) [172501-6002](#) [FCN-260C008-A/L0](#) [FCN-260C024-AL0](#) [FCN-261Z008](#) [2000314-1](#) [200331-1](#) [PCR-E36FC+](#) [PCS-E28FS+](#) [PCS-XE26SLFD+](#) [PCS-XE26SLFDT+](#) [G730VID08BDC24](#) [U90B2054081210](#) [38113800006](#) [DP3AR020WQ1R200](#) [Z4.102.0680.0](#) [500-1040](#) [500-1052](#) [500-1054](#) [ZP-4008-66L](#) [0709821002](#) [DX40-20P\(55\)](#) [5554841-1](#) [MS3474W18-8P-LC\\*](#) [U90B3054061110](#) [U65-E04-4020](#) [ZPF000000000097891](#) [747360449](#) [10099439-003C-TRLF](#) [10137239-0021LF](#) [E9320-001-01](#) [10137239-0011LF](#) [70289-001LF](#) [70.060.1028.0](#) [109029-ZZ](#)