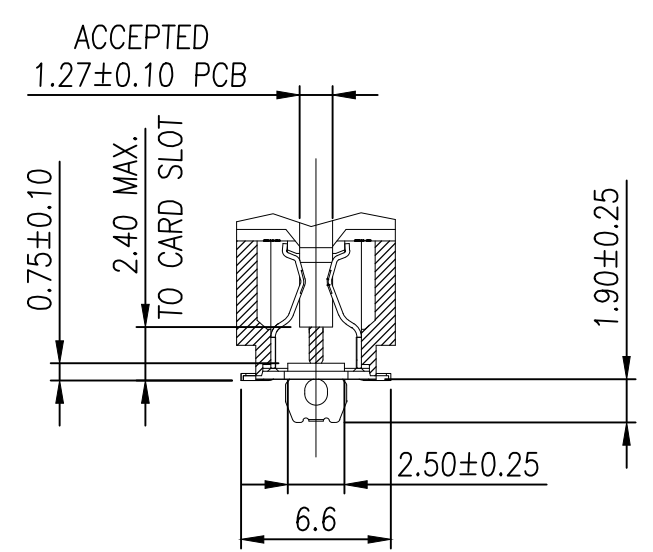
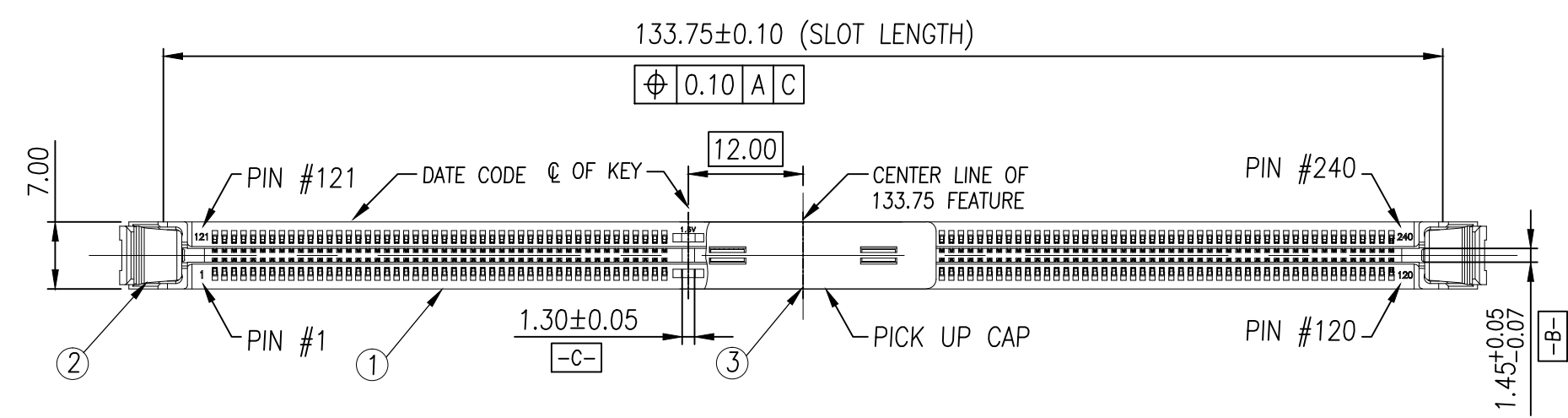
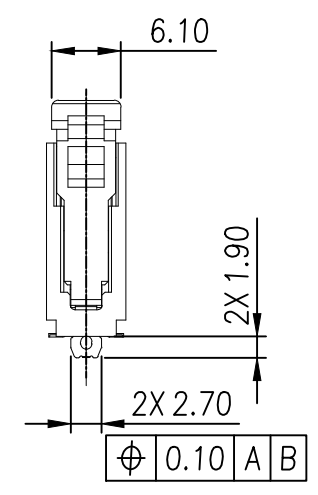
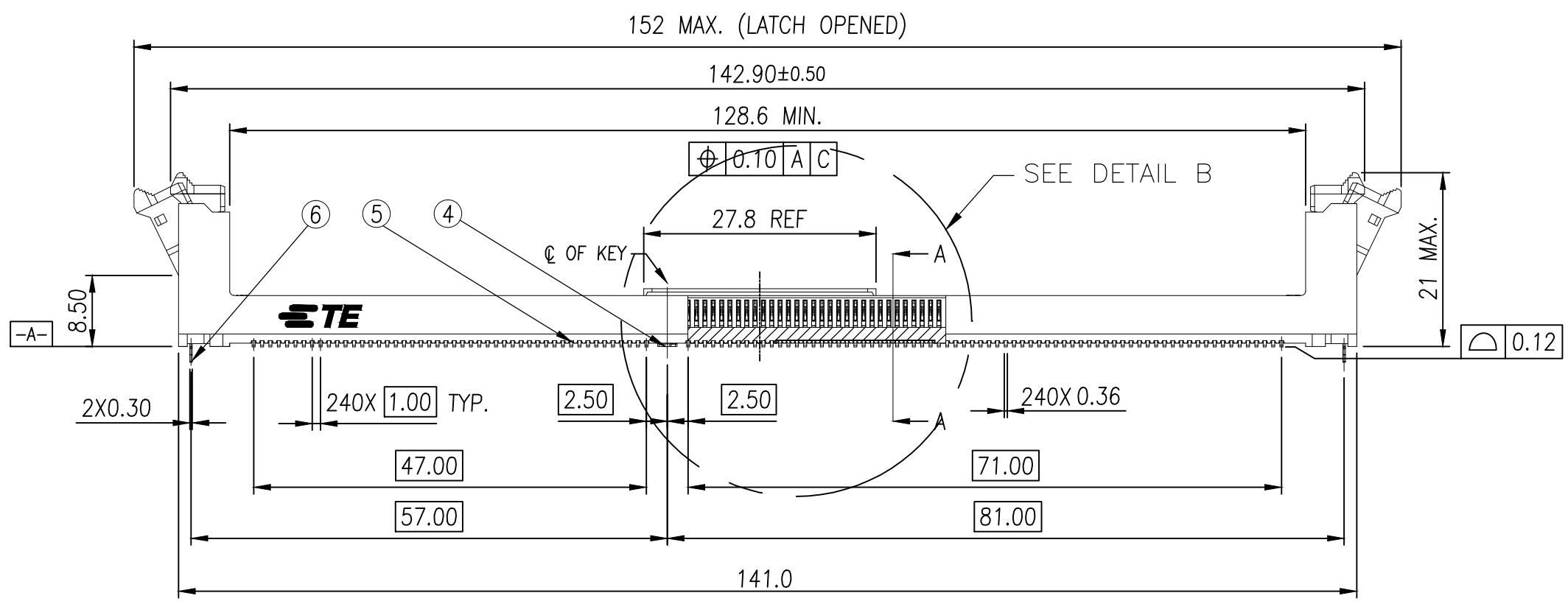


THIS DRAWING IS UNPUBLISHED. RELEASED FOR PUBLICATION
 © COPYRIGHT - By - ALL RIGHTS RESERVED.

LOC	DIST	REVISIONS			
P	LTR	DESCRIPTION	DATE	DWN	APVD
-	-	E	RELEASED PER ECR-15-004717	25MAR2015	D.Z S.L



CENTER PEG WIDTH
SECTION A-A



2	SIDE TAB	⑥
240	CONTACT	⑤
1	CENTER PEG	④
1	CAP	③
2	LATCH	②
1	HOUSING	①
QTY	NAME	ITEM

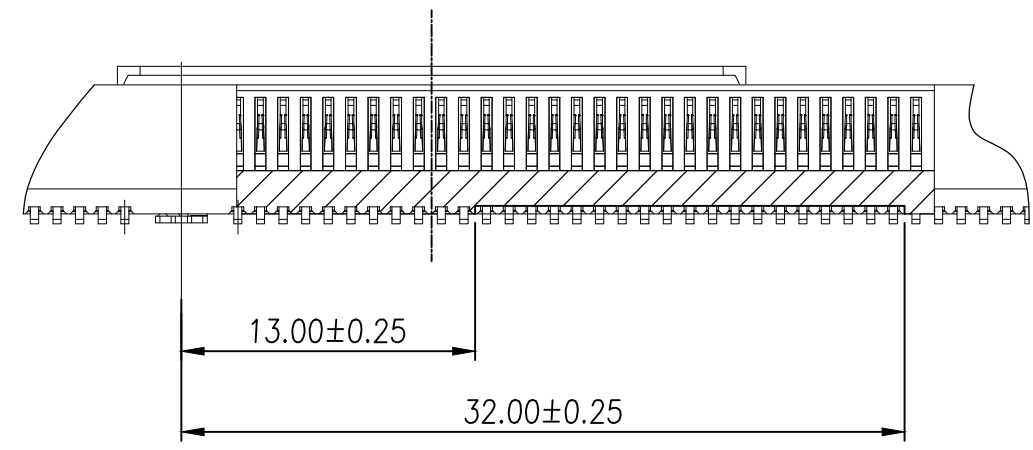
THIS DRAWING IS A CONTROLLED DOCUMENT.		DWN	SIMON WU 30DEC2010		STE TE Connectivity
		CHK	BILL WONG 30DEC2010		
		APVD	COREL WANG 30DEC2010		NAME
		PRODUCT SPEC			SOCKET ASSEMBLY
		APPLICATION SPEC			VLP DDR-III, SMT, 240P
		SIZE	CAGE CODE	DRAWING NO	RESTRICTED TO
		WEIGHT	A3 00779 C-1932810		-
MATERIAL		FINISH		SCALE	SHEET
SEE NOTE		SEE NOTE		3:2	1 OF 6
CUSTOMER DRAWING				REV	E

THIS DRAWING IS UNPUBLISHED. RELEASED FOR PUBLICATION
 © COPYRIGHT - By - ALL RIGHTS RESERVED.

LOC	DIST	REVISIONS					
		P	LTR	DESCRIPTION	DATE	DWN	APVD
-	-	-	-	SEE SHEET 1	-	-	-

NOTES:

1. MATERIAL:
 - 1.1 HOUSING: THERMOPLASTIC, UL94V-0; COLOR: SEE TABLE.
 - 1.2 LATCH: THERMOPLASTIC, UL94V-0; COLOR: SEE TABLE.
 - 1.3 CAP: THERMOPLASTIC, UL94V-0; COLOR: BLACK.
 - 1.4 CENTER PEG: COPPER ALLOY.
 - 1.5 CONTACT: COPPER ALLOY.
 - 1.6 SIDE TAB: COPPER ALLOY.
2. FINISH:
 - 2.1 CONTACT:
 - GOLD PLATING THICKNESS ON CONTACT AREA: SEE TABLE.
 - 100u" MIN. MATTE-TIN PLATING ON SOLDER TAIL AREA.
 - 90u" MIN. NICKEL UNDERPLATING OVERALL FOR 20u" GOLDPLATING.
 - 50u" MIN. NICKEL UNDERPLATING OVERALL FOR OTHER GOLDPLATING.
 - 2.2 CENTER PEG AND SIDE TAB:
 - 100u" MIN. MATTE-TIN PLATING ON SOLDER TAIL AREA.
 - 50u" MIN. NICKEL UNDERPLATING OVERALL.
3. CONFORMS TO THE REQUIREMENTS OF EIA/ECA-364-1000.01A (CONTROLLED ENVIRONMENT APPLICATIONS, AND TE PRODUCT SPECIFICATION.)
4. LLCR SPEC.: 30mΩ MAX. INITIAL, THE CHANGE NOT GREATER THAN 20mΩ AFTER ALL ENVIRONMENT TEST.
5. LLCR SPEC.: 10mΩ MAX. INITIAL, THE CHANGE NOT GREATER THAN 10mΩ AFTER ALL ENVIRONMENT TEST.



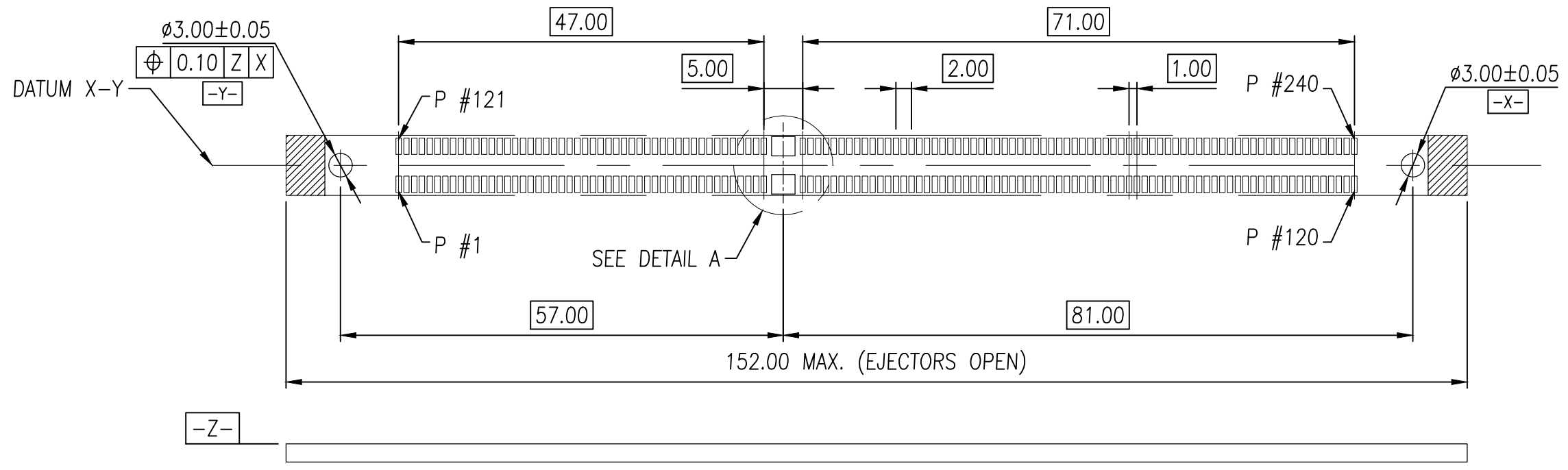
DETAIL B
(3 : 1)

CAP OPTION	LLCR SPEC.	GOLD PLATING	HOUSING COLOR	LATCH COLOR	PART NUMBER
WITHOUT CAP	SEE NOTE 5	20u" MIN.	BLACK	GREEN (375C)	1-1932810-0
		20u" MIN.	BLACK	BLACK	1932810-9
		20u" MIN.	BLACK	NATURAL	1932810-8
WITH CAP	SEE NOTE 5	20u" MIN.	BLACK	GREEN (375C)	1932810-7
		20u" MIN.	BLACK	BLACK	1932810-6
		20u" MIN.	BLACK	NATURAL	1932810-5
	SEE NOTE 5	15u" MIN.	BLACK	BLACK	1932810-4
		15u" MIN.	BLACK	NATURAL	1932810-3
		SEE NOTE 4	20u" MIN.	BLACK	BLACK
20u" MIN.	BLACK		NATURAL	1932810-1	

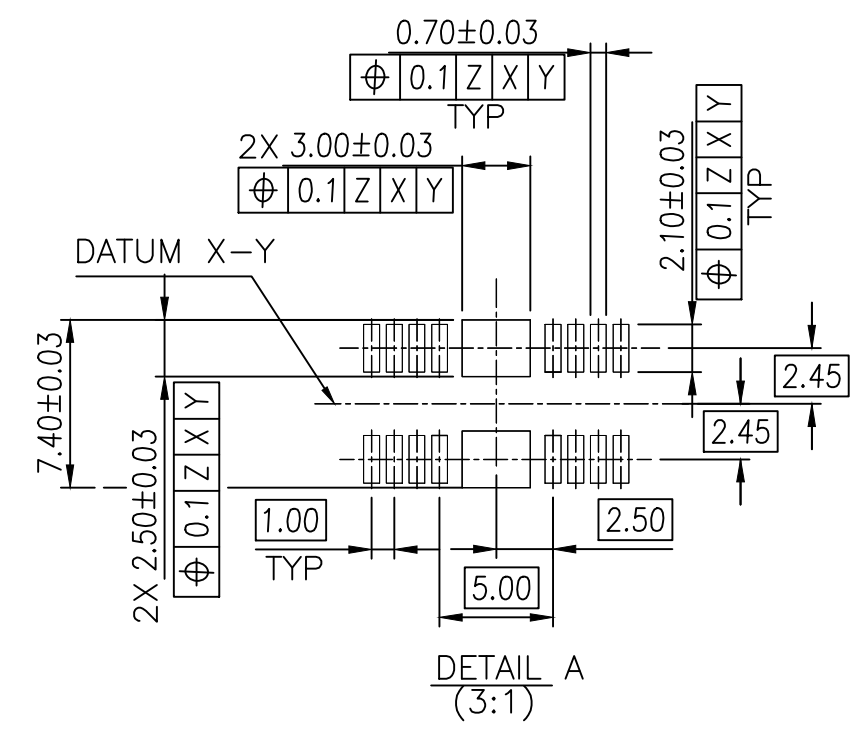
THIS DRAWING IS A CONTROLLED DOCUMENT.		DWN	TE Connectivity SOCKET ASSEMBLY VLP DDR-III, SMT, 240P				
DIMENSIONS: mm		CHK					
		APVD					
TOLERANCES UNLESS OTHERWISE SPECIFIED:		PRODUCT SPEC					
0 PLC ± - 1 PLC ± - 2 PLC ± 0.13 3 PLC ± 0.013 4 PLC ± - ± 1° ANGLES		APPLICATION SPEC	NAME	SIZE	CAGE CODE	DRAWING NO	RESTRICTED TO
MATERIAL	FINISH	WEIGHT	A300779		C-1932810		-
SEE NOTE	SEE NOTE	-	CUSTOMER DRAWING		SCALE	SHEET	REV
				3:2	2 OF 6	E	

THIS DRAWING IS UNPUBLISHED. RELEASED FOR PUBLICATION. ALL RIGHTS RESERVED.

LOC	DIST	P	LTR	DESCRIPTION	DATE	DWN	APVD
-	-	-	-	SEE SHEET 1	-	-	-



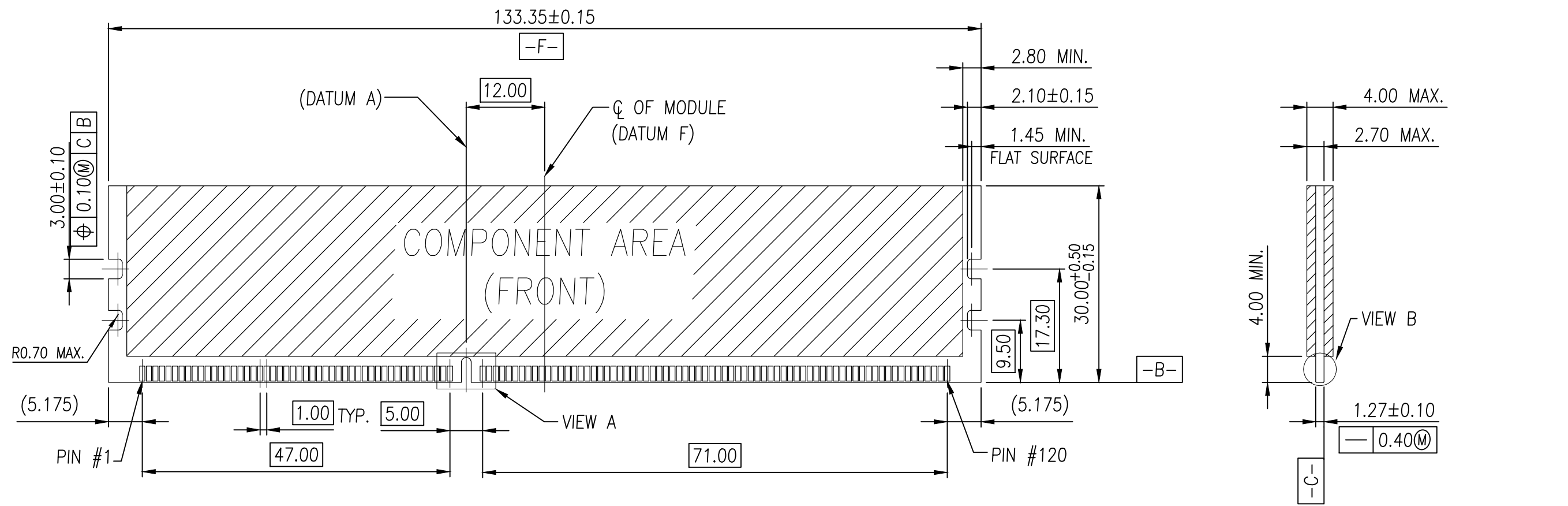
RECOMMENDED PCB LAYOUT (TOP VIEW)
TOLERANCE: ± 0.05



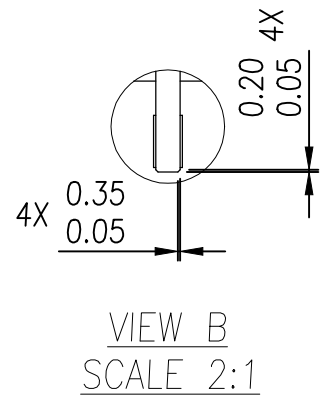
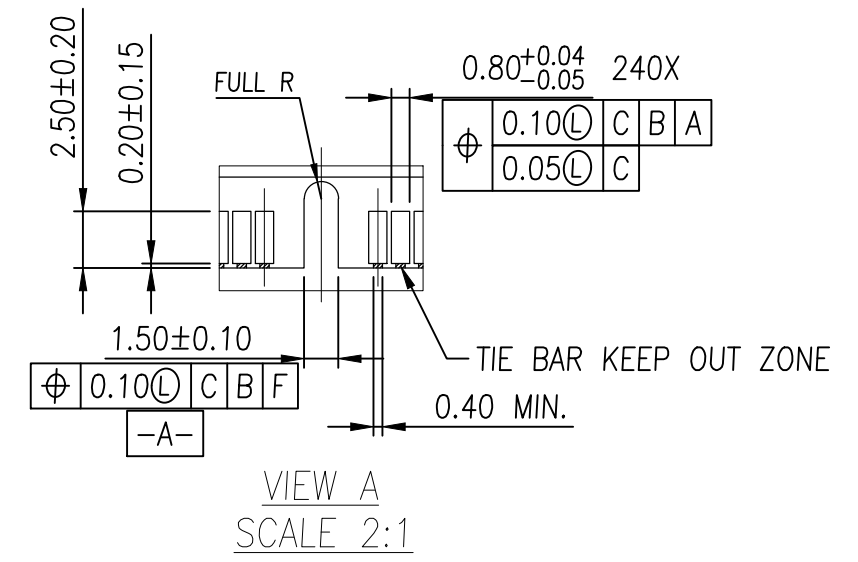
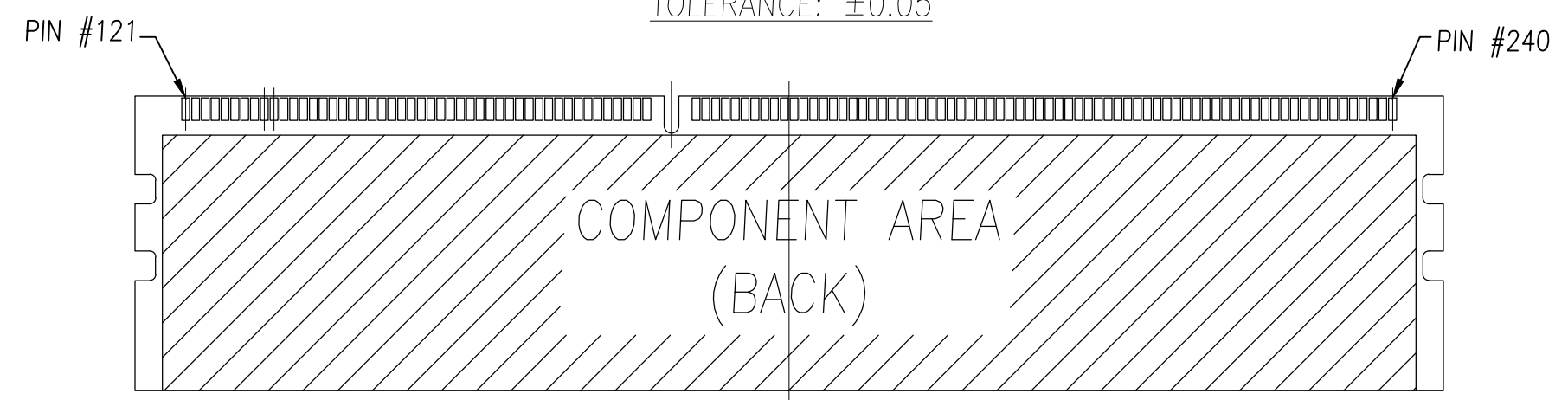
THIS DRAWING IS A CONTROLLED DOCUMENT.		DWN	TE Connectivity SOCKET ASSEMBLY VLP DDR-III, SMT, 240P				
DIMENSIONS: mm		CHK					
TOLERANCES UNLESS OTHERWISE SPECIFIED:		APVD					
0 PLC $\pm -$ 1 PLC $\pm -$ 2 PLC ± 0.13 3 PLC ± 0.013 4 PLC $\pm -$ ANGLES $\pm 1^\circ$		PRODUCT SPEC					
MATERIAL: SEE NOTE		FINISH	APPLICATION SPEC	SIZE	CAGE CODE	DRAWING NO	RESTRICTED TO
SEE NOTE		SEE NOTE	WEIGHT	A3	00779	C-1932810	-
CUSTOMER DRAWING			SCALE	3:2	SHEET	3 OF 6	REV E

THIS DRAWING IS UNPUBLISHED. RELEASED FOR PUBLICATION
 © COPYRIGHT - By - ALL RIGHTS RESERVED.

LOC	DIST	P	LTR	DESCRIPTION	DATE	DWN	APVD
-	-	-	-	SEE SHEET 1	-	-	-



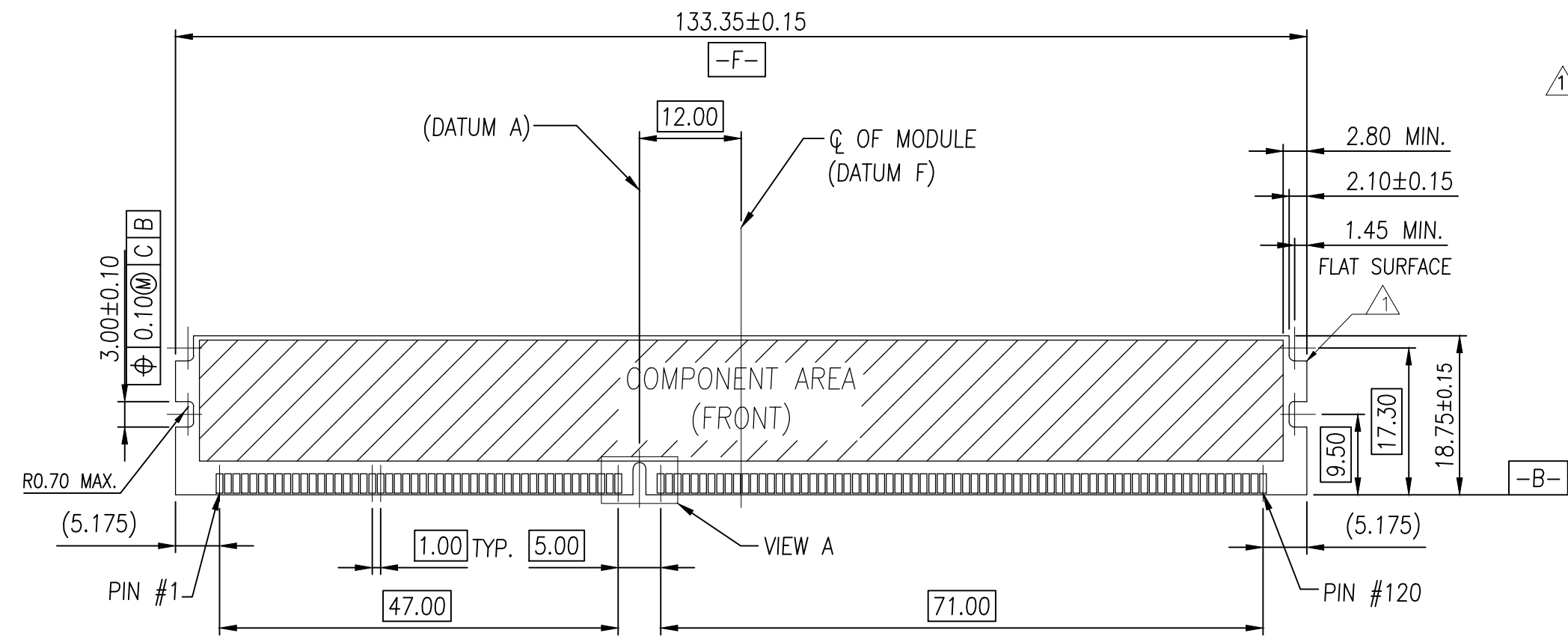
RECOMMENDED MODULE PCB LAYOUT
 TOLERANCE: ±0.05



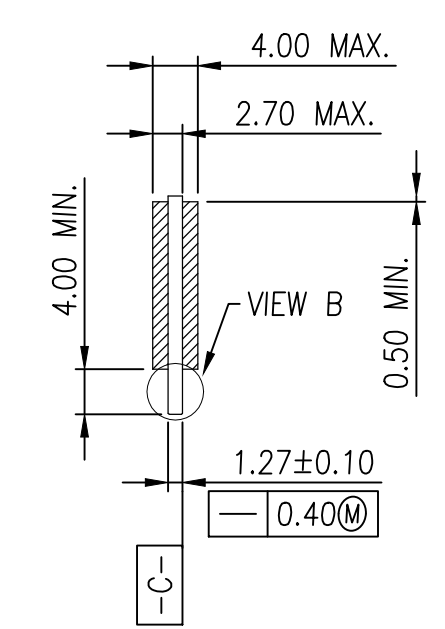
THIS DRAWING IS A CONTROLLED DOCUMENT.		DWN	-	STE TE Connectivity
DIMENSIONS: mm		CHK	-	
TOLERANCES UNLESS OTHERWISE SPECIFIED:		APVD	-	
MATERIAL SEE NOTE		FINISH	SEE NOTE	
0 PLC ± -		PRODUCT SPEC	-	SOCKET ASSEMBLY VLP DDR-III, SMT, 240P
1 PLC ± -		APPLICATION SPEC	-	
2 PLC ± 0.13		SIZE	A3	CAGE CODE 00779
3 PLC ± 0.013		DRAWING NO	C-1932810	
4 PLC ± -		WEIGHT	-	RESTRICTED TO
ANGLES ± 1°		CUSTOMER DRAWING		SCALE 3:2
FINISH SEE NOTE		SHEET 4 OF 6		REV E

THIS DRAWING IS UNPUBLISHED. RELEASED FOR PUBLICATION
 © COPYRIGHT - By - ALL RIGHTS RESERVED.

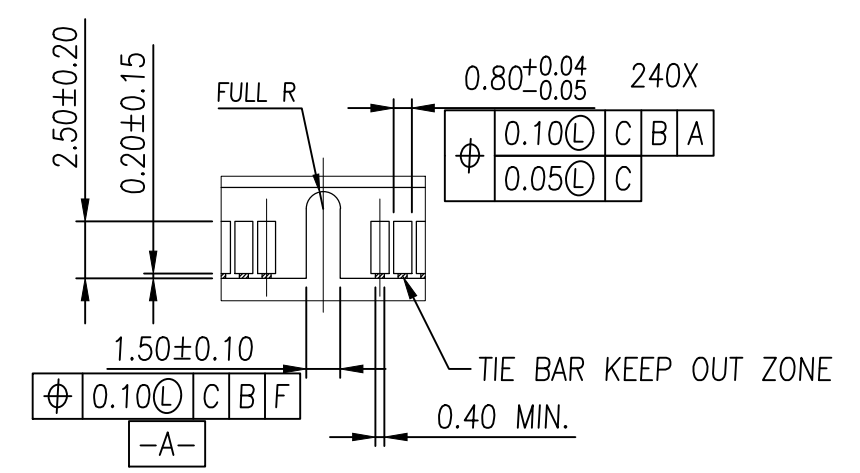
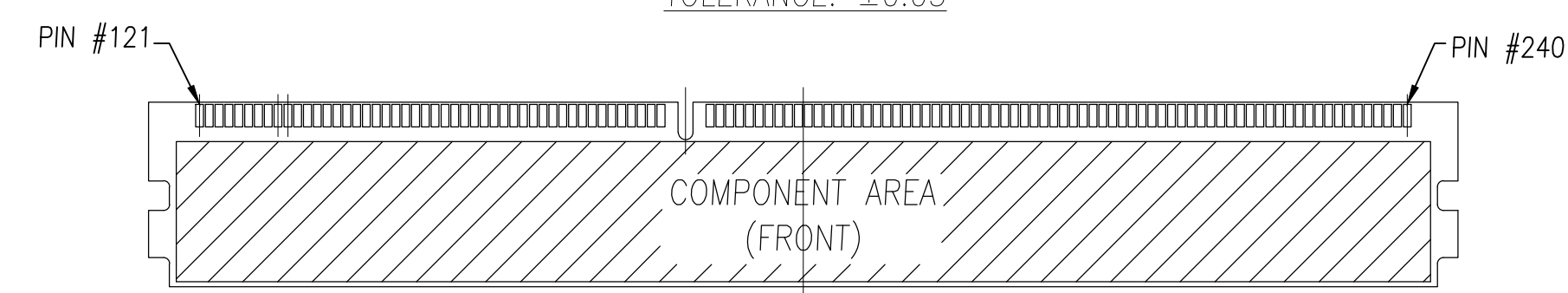
LOC	DIST	REVISIONS			
P	LTR	DESCRIPTION	DATE	DWN	APVD
-	-	SEE SHEET 1	-	-	-



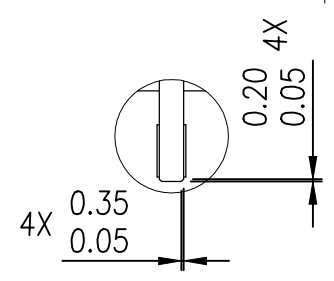
NOTES:
 1. FOR STD VLP MODULE, THE LATCH OF CONNECTOR IS LOCKED BY UPPER NOTCH.



RECOMMENDED MODULE PCB LAYOUT
 TOLERANCE: ±0.05



VIEW A
 SCALE 2:1



VIEW B
 SCALE 2:1

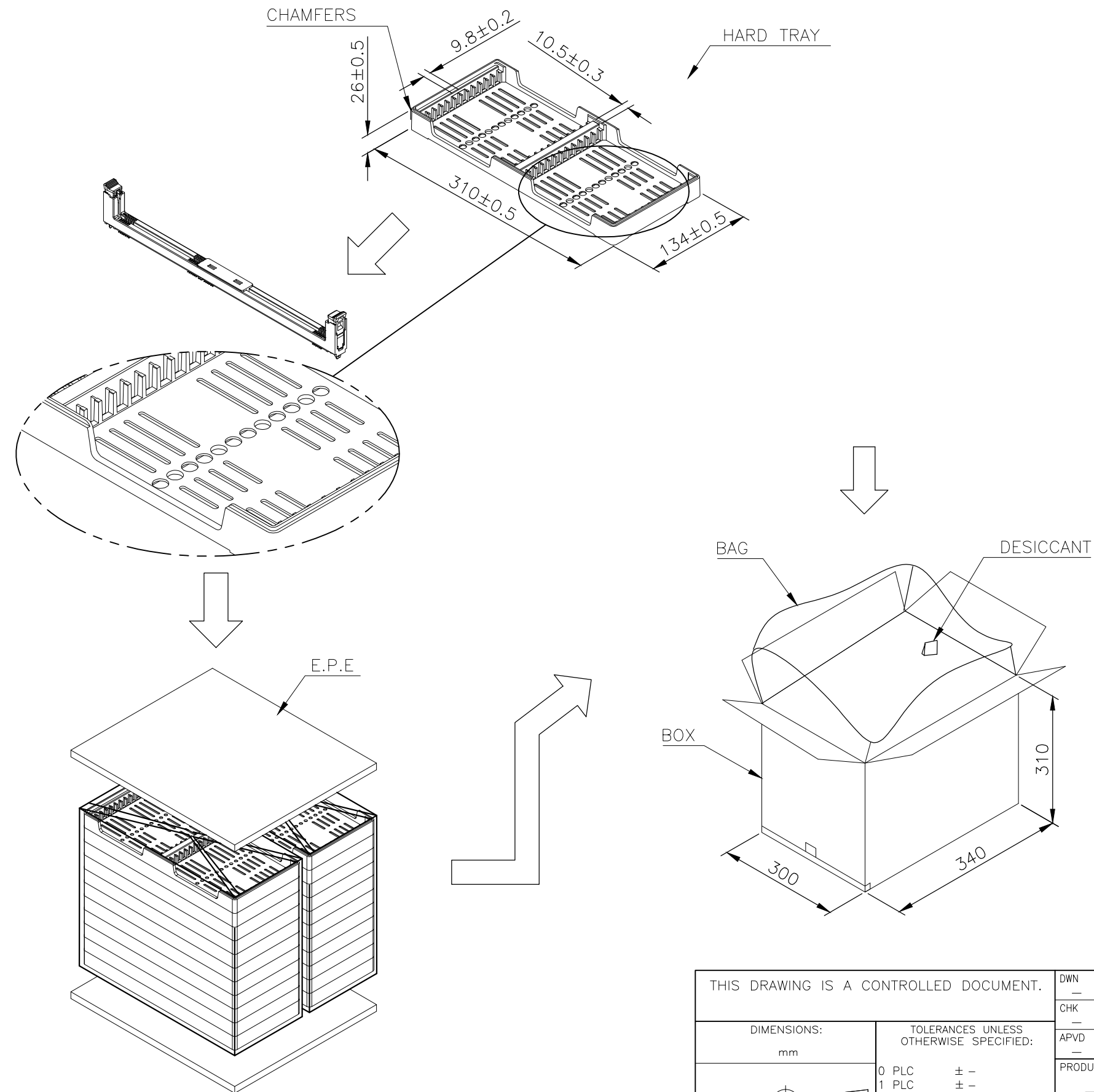
THIS DRAWING IS A CONTROLLED DOCUMENT.		DWN	-		
DIMENSIONS: mm		CHK	-		
TOLERANCES UNLESS OTHERWISE SPECIFIED:		APVD	-		
0 PLC	± -	PRODUCT SPEC	-		
1 PLC	± -	APPLICATION SPEC	-		
2 PLC	± 0.13	SIZE	A3	CAGE CODE	00779
3 PLC	± 0.013	DRAWING NO	C-1932810		
4 PLC	± -	RESTRICTED TO	-		
ANGLES	± 1°	WEIGHT	-		
MATERIAL	SEE NOTE	CUSTOMER DRAWING	SCALE	3:2	SHEET
FINISH	SEE NOTE			5 OF 6	REV
					E



SOCKET ASSEMBLY
 VLP DDR-III, SMT, 240P

THIS DRAWING IS UNPUBLISHED. RELEASED FOR PUBLICATION
 © COPYRIGHT - By - ALL RIGHTS RESERVED.

LOC	DIST	REVISIONS					
		P	LTR	DESCRIPTION	DATE	DWN	APVD
-	-	-	-	SEE SHEET 1	-	-	-



- NOTES :
- PACKING MATERIAL MET TE SPEC TEC-138-702.
 - * CADMIUM AND CADMIUM COMPOUNDS CONTENT:
5 PPM UNDER (PLASTIC, RUBBER, INK, PIGMENT, PAINT)
 - * LEAD, CADMIUM, CHROM VI AND MERCURY IN PACKAGING MATERIALS CONTENT: 100 PPM (COMBINED) UNDER.
1. MATERIAL :
- TRAY: **ABS**, COLOR: BLACK.
 - CARTON: CORRUGATED FIBER
 - BOX: CORRUGATED FIBER
 - TRANSPARENT BAG: PE, SIZE: 500mm*380mm*0.06mm
2. EACH BAG SHALL BE INCLUDED:
- * DESICCANT

9.7 KG	3.4 KG	24	20	480
GROSS WEIGHT	NET WEIGHT	PCS/ TRAY	TRAY/ BOX	PCS/ BOX

THIS DRAWING IS A CONTROLLED DOCUMENT.		DWN	TE Connectivity SOCKET ASSEMBLY VLP DDR-III, SMT, 240P				
DIMENSIONS: mm		CHK					
		APVD					
TOLERANCES UNLESS OTHERWISE SPECIFIED: 0 PLC ± - 1 PLC ± - 2 PLC ± 0.13 3 PLC ± 0.013 4 PLC ± - ANGLES ± 1°		PRODUCT SPEC					
MATERIAL SEE NOTE		FINISH	APPLICATION SPEC	SIZE	CAGE CODE	DRAWING NO	RESTRICTED TO
SEE NOTE		SEE NOTE	WEIGHT	A3	00779	C-1932810	-
CUSTOMER DRAWING			SCALE	N/A	SHEET	6 OF 6	REV E

X-ON Electronics

Largest Supplier of Electrical and Electronic Components

Click to view similar products for [DIMM Connectors](#) category:

Click to view products by [TE Connectivity](#) manufacturer:

Other Similar products are found below :

[1-1932649-2](#) [1-1761024-0](#) [296409204002856+](#) [1932180-2](#) [10086891-052TSLF](#) [59355-052FSLF](#) [5390471-1](#) [2309413-3](#) [10033853-052ASLF](#)
[87782-6003](#) [KIT-SODIMM-1X16GB/01](#) [10129206-0010013LF](#) [2309409-2](#) [0780350001](#) [0780350301](#) [0783150011](#) [0878030012](#)
[75.963AT.G020C](#) [78.B1GDE.AF1](#) [10078239-11103LF](#) [6-390322-1](#) [2013311-1](#) [2309410-1](#) [10116658-152FSLF](#) [1-1735438-3](#) [1-1735413-1](#)
[78730-1002](#) [78726-1002](#) [2013310-1](#) [390111-1](#) [1735438-3](#) [78373-0011](#) [2308107-1](#) [2-2308107-1](#) [2309411-1](#) [5-1746530-4](#) [2309408-1](#)
[2309409-1](#) [151134-0001](#) [296406200001856+](#) [2309407-1](#) [FCN-074J240-G/1D](#) [FCN-074B288-G/2D](#) [2309414-1](#) [10081530-12208LF](#) [151080-0001](#) [78321-0001](#) [78726-1004](#) [87705-1053](#) [19320](#)