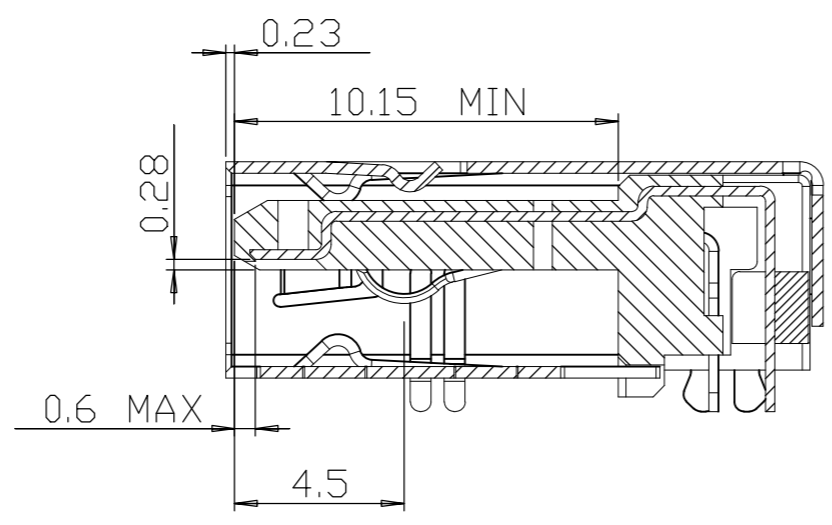
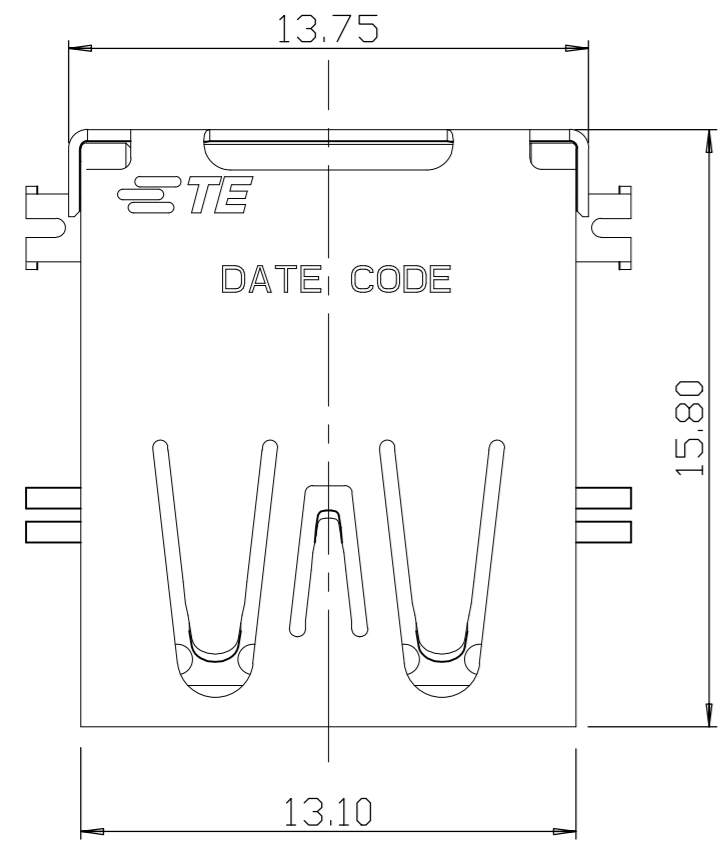


THIS DRAWING IS UNPUBLISHED. RELEASED FOR PUBLICATION 20
 © COPYRIGHT 20 BY - ALL RIGHTS RESERVED.

LOC		DIST		REVISIONS			
P	LTR	DESCRIPTION	DATE	DWN	APVD		
ES	00	A	RELEASED PER ECR-15-016523	17NOV2015	T.Z	H.W	
-	-	-	-	-	-	-	
-	-	-	-	-	-	-	
-	-	-	-	-	-	-	



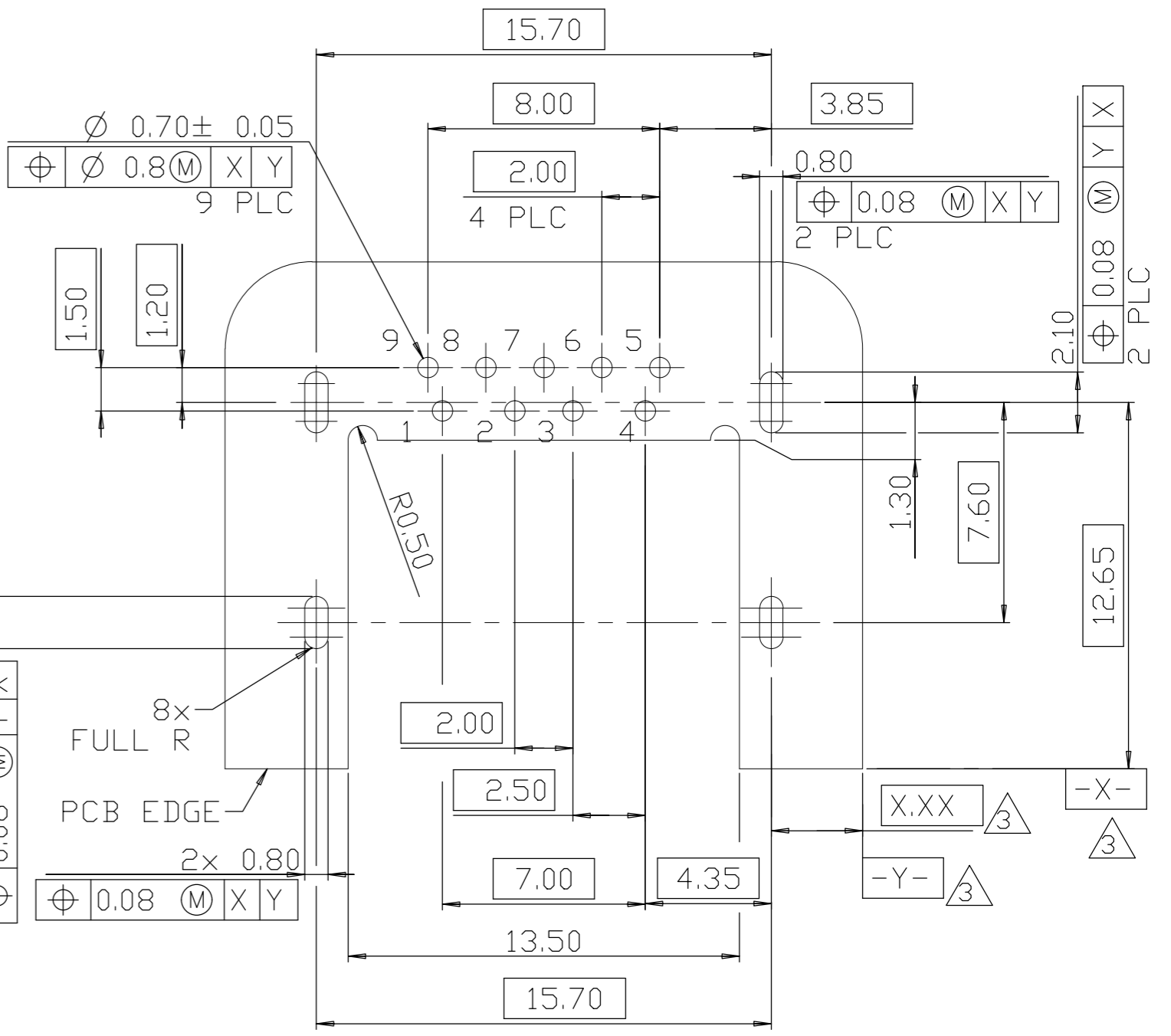
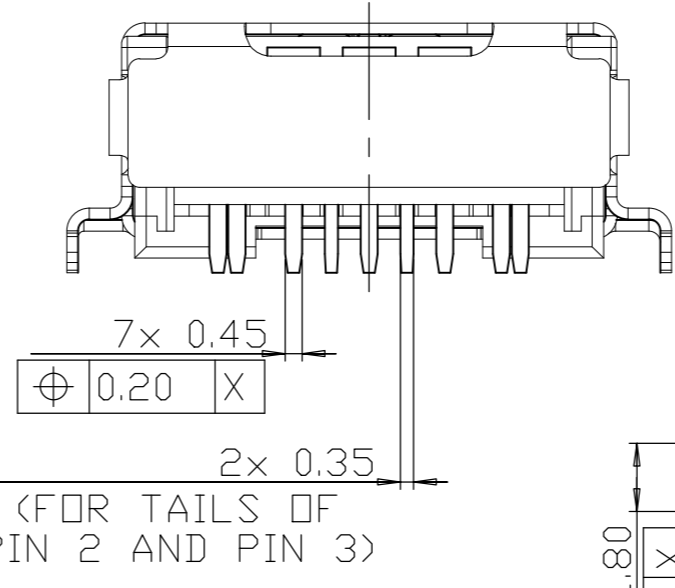
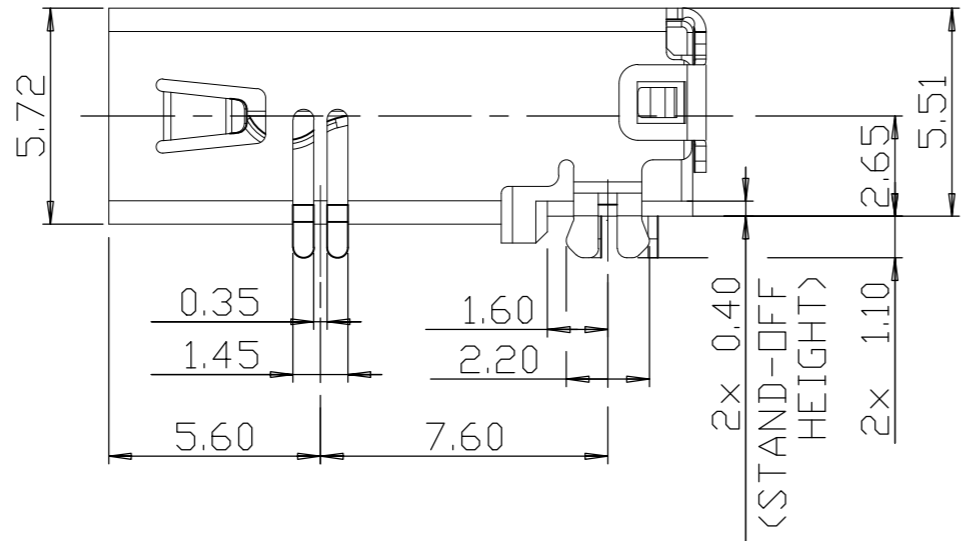
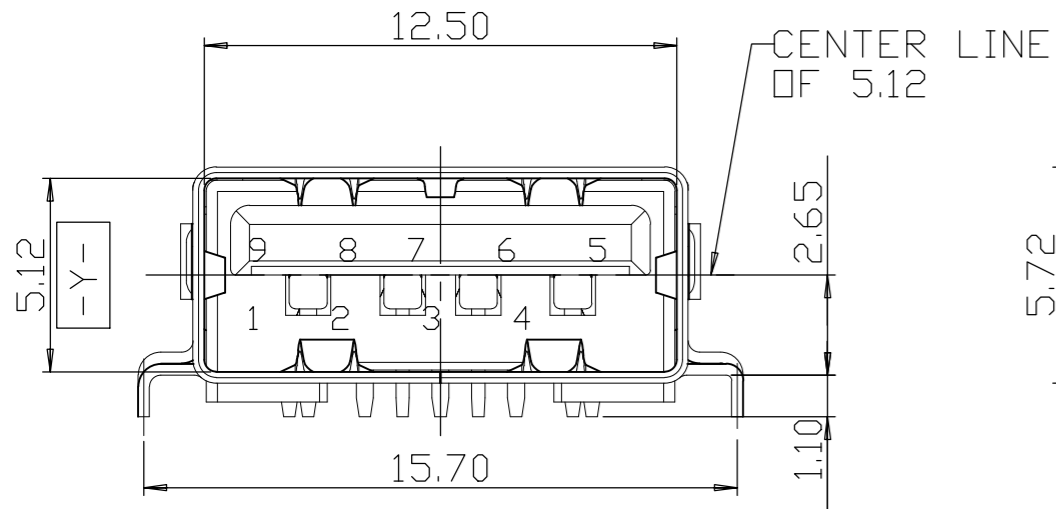
USB 3.0 SPECIFICATION DIMENSIONS

NOTE

ΔMATERIAL:
 HOUSING:HIGH TEMPERATURE THERMOPLASTIC,PA9T,BLACK,HALOGEN FREE,UL94-HB
 CONTACT: COPPER ALLOY.
 SHELL: METAL.

ΔFINISH:
 CONTACT:0.76um MIN GOLD OR 0.076um MIN GOLD FLASHED OVER 0.76um MIN Pd-Ni ON CONTACT AREA,MATTE TIN PLATING ON SOLDER TAIL AREA, NICKEL UNDERPLATING.
 SHELL: SOLDERABILITY NICKEL PLATING OVER ALL.

ΔDATUM AND BASIC DIMENSIONS ESTABLISHED BY CUSTOMER
 4.TAPE REEL PACKAGE.

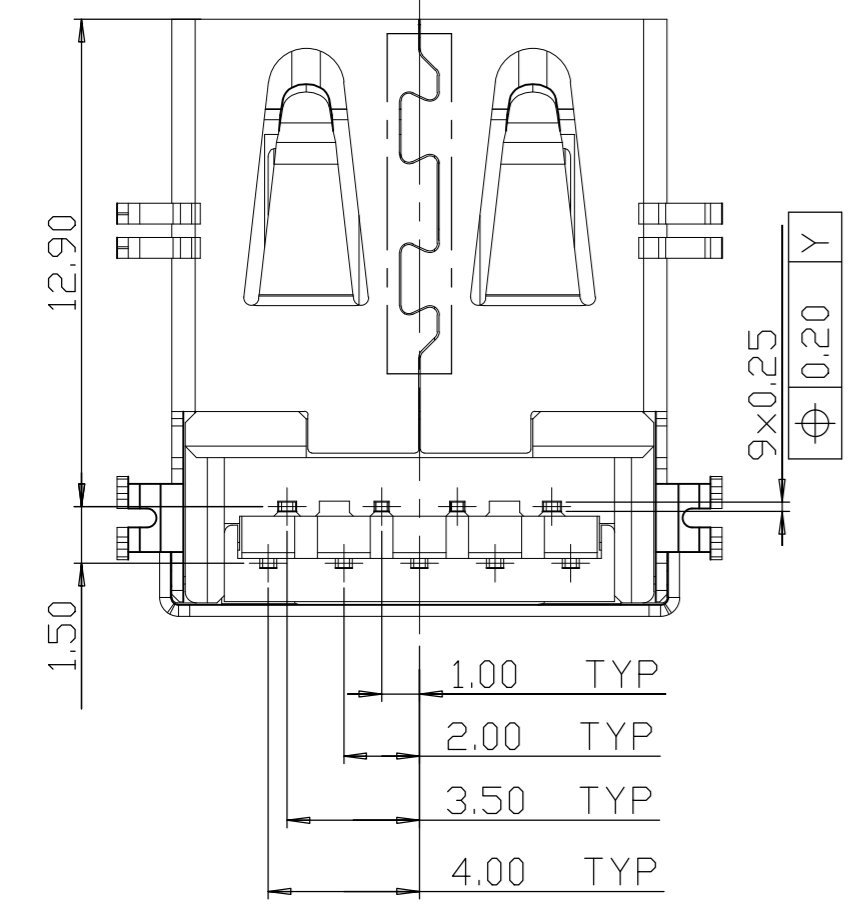


PIN ASSIGNMENT

PIN NO.	1	2	3	4	5	6	7	8	9
Signal Name	VBUS	D-	D+	GND	StdA_SSRX-	StdA_SSRX+	GND_Drain	StdA_SSTX-	StdA_SSTX+
Remark	USB 2.0 contact Pins				USB 3.0 Contact Pins				

RECOMMENDED P.C.B LAYOUT (COMPONENT SIDE)
 DEFAULT TOLERANCE IS ±0.05.

ⓐ OBSOLETE	△	1932965-1
FINISH		P/N



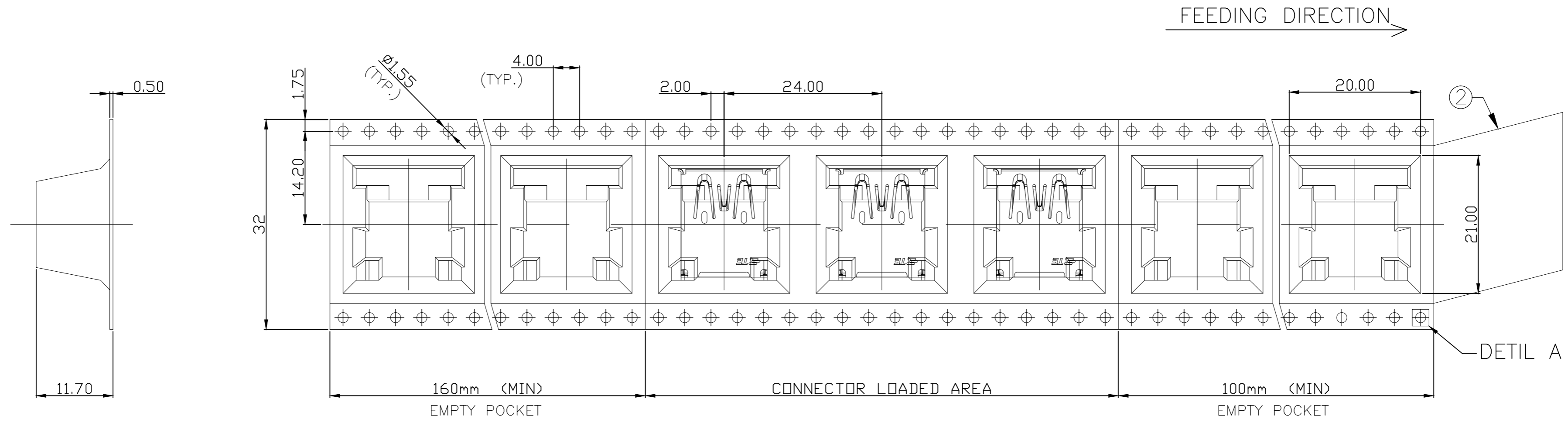
THIS DRAWING IS A CONTROLLED DOCUMENT.

DIMENSIONS:	TOLERANCES UNLESS OTHERWISE SPECIFIED:	DWN	28FEB2012	TE Connectivity USB 3.0 TYPE A RECEPTACLE NORMAL TYPE OFFSET CL 2.65			
MM	0 PLC ±0.3	CHK	Francis Lee				
	1 PLC ±0.2	APVD	Xiong XU				
	2 PLC ±0.20	PRODUCT SPEC	Steven Yao				
	3 PLC ±0.100	APPLICATION SPEC		SIZE	CAGE CODE	DRAWING NO	RESTRICTED TO
	4 PLC ±0.1000			A200779	C-1932965		
MATERIAL	FINISH	WEIGHT		SCALE	SHEET	OF	REV
△ -				6:1	1	2	A1

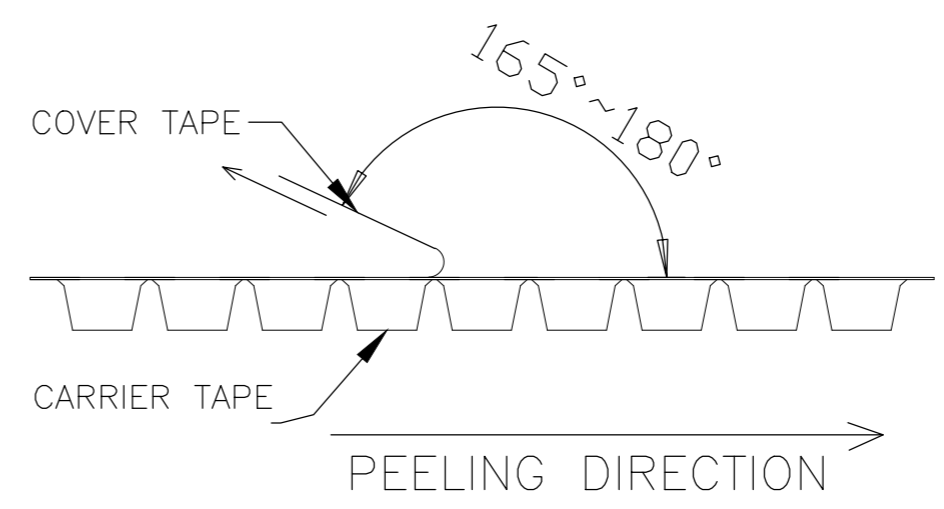
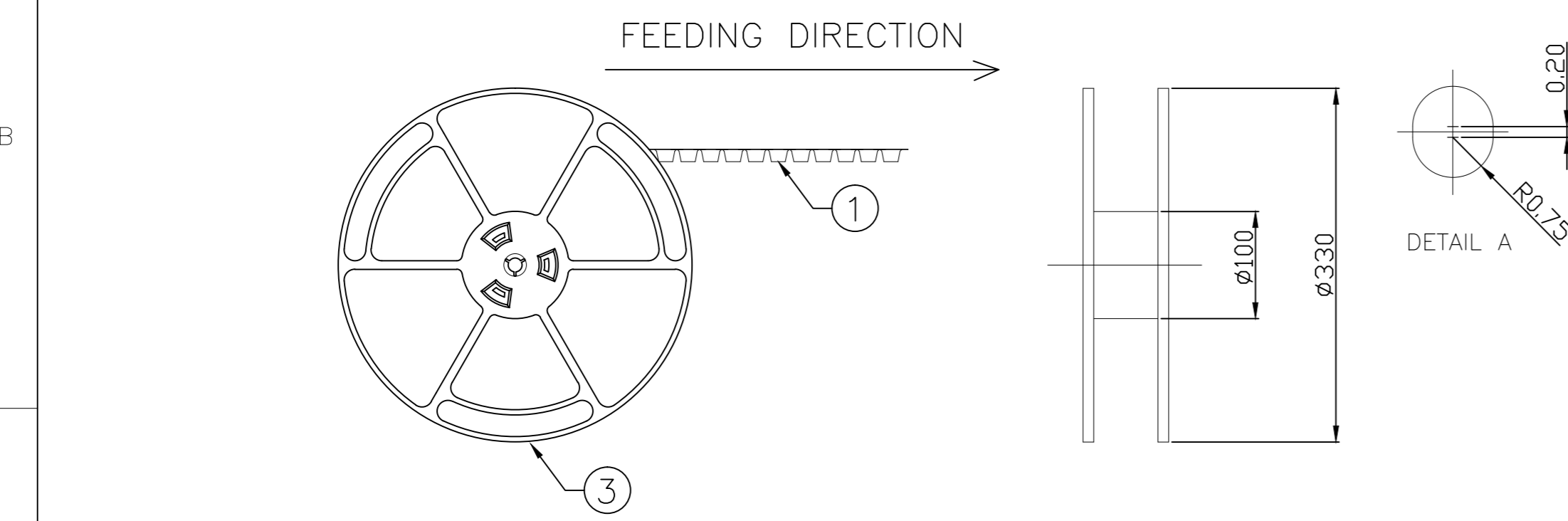
CUSTOMER DRAWING

THIS DRAWING IS UNPUBLISHED. RELEASED FOR PUBLICATION
 © COPYRIGHT - By - ALL RIGHTS RESERVED.

LOC		DIST		REVISIONS			
P	LTR	DESCRIPTION	DATE	DWN	APVD		
-	-	SEE SHEET 1	-	-	-		



- NOTES :
- 10 POCKETS HOLE PITCH CUMULATIVE TOLERANCE $\pm 0.2\text{mm}$.
 - NUMBER OF CONNECTORS : 230 PCS/REEL .
 - COVER TAPE PEELING STRENGTH : 0.1 Kgf MAX . AT 300mm/min .



USB 3.0, A TYPE, RVS,
 DIP CONNECTOR. CL2.62

THIS DRAWING IS A CONTROLLED DOCUMENT.		DWN	TE Connectivity	
DIMENSIONS: mm		CHK	NAME	
TOLERANCES UNLESS OTHERWISE SPECIFIED:		APVD	USB 3.0 TYPE A RECEPTACLE NORMAL TYPE, OFFSET CL 2.65 PACKAGE	
0 PLC ± 0.3		PRODUCT SPEC	SIZE	CAGE CODE
1 PLC ± 0.3		APPLICATION SPEC	A2	00779
2 PLC ± 0.3		WEIGHT	DRAWING NO	RESTRICTED TO
3 PLC ± 0.3		CUSTOMER DRAWING	C=1932965	-
4 PLC ± 0.3		SCALE	1:1	SHEET
ANGLES \pm		SCALE	1:1	2 OF 2
FINISH		REV	A1	

X-ON Electronics

Largest Supplier of Electrical and Electronic Components

Click to view similar products for [USB Connectors](#) category:

Click to view products by [TE Connectivity](#) manufacturer:

Other Similar products are found below :

[10033527-N3112MLF](#) [17-210561](#) [GMCB05B11124H1EU](#) [17-200931](#) [65-647-8-BK-BU](#) [690-010-295-484](#) [73725-1191BLF](#) [950](#) [E8144-B01021-L](#) [A-USB A-LP-SMT-C](#) [A-USB B-TOP-C](#) [MUSBA511N5](#) [MUSBB15131](#) [MUSBC111M5](#) [MUSBD11135](#) [896-30-004-00-000000](#) [KUSBVX-BS1N-W30](#) [KUSBX-AP-KIT-SCBLK](#) [KUSBX-AS2N-W](#) [KUSBX-SMT2AP1S-W](#) [KUSBX-SMTBS1NBTR](#) [30-498-6](#) [17-200261](#) [17-210051](#) [1734082-1](#) [FK-37-32SL](#) [30-1574](#) [30-470](#) [30-489](#) [30-541](#) [30-572-3](#) [30-9503](#) [MAB 8 SN V](#) [MIKROE-1451](#) [33UBBR-04SW11R](#) [USBFTV2PEM2G](#) [USBFTVC6ZN](#) [USBFTVSCCG](#) [KUSBX-AS2N-W30](#) [KUSBX-SLAS1N-W](#) [KUSBX-SMT-AS1N-W30](#) [1-1734084-2](#) [E8110-001-01](#) [MUSBC11135](#) [NK-27-32SL](#) [33UBAR-04SW11](#) [USBF21ZNSCC](#) [USBBFTV6ZC](#) [73725-1180RLF](#) [73725-0110RLF](#)