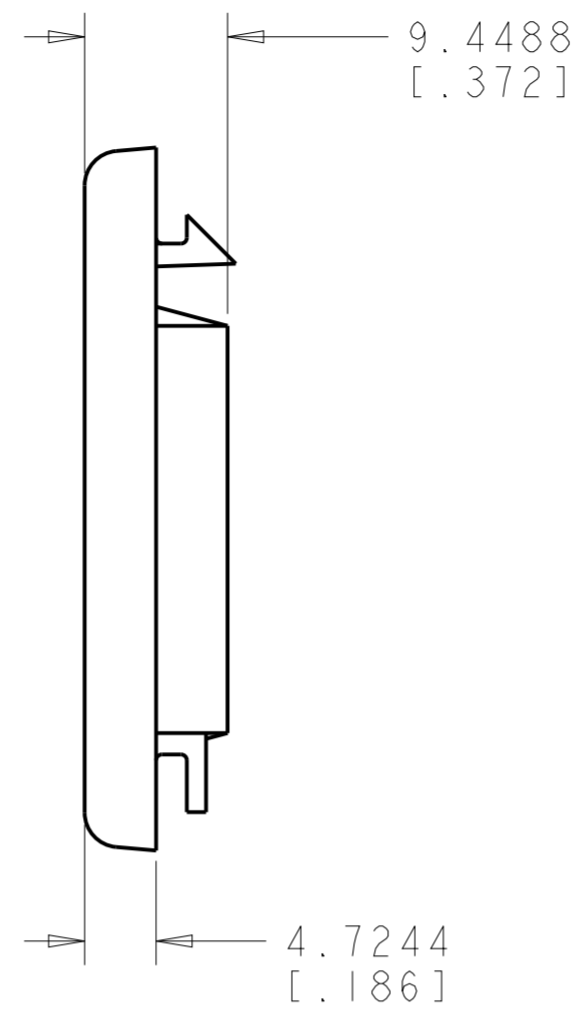
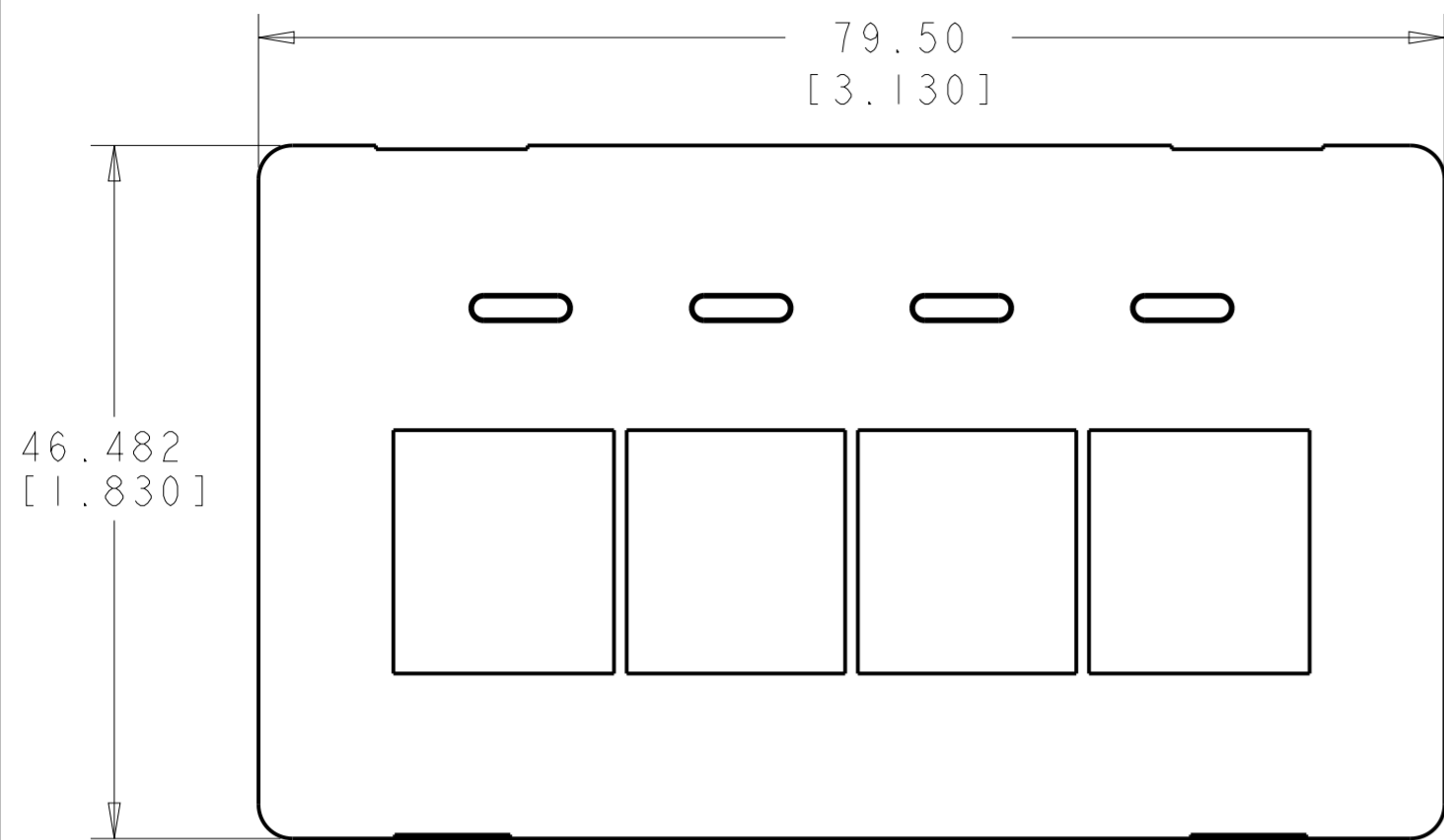
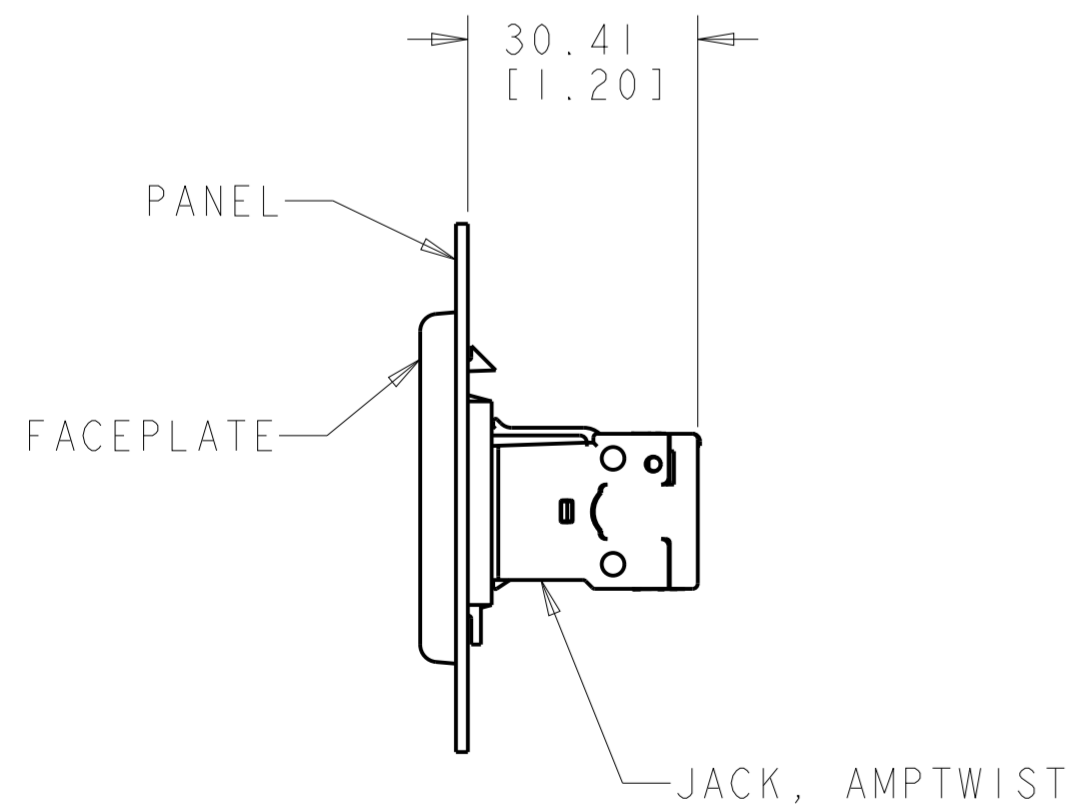
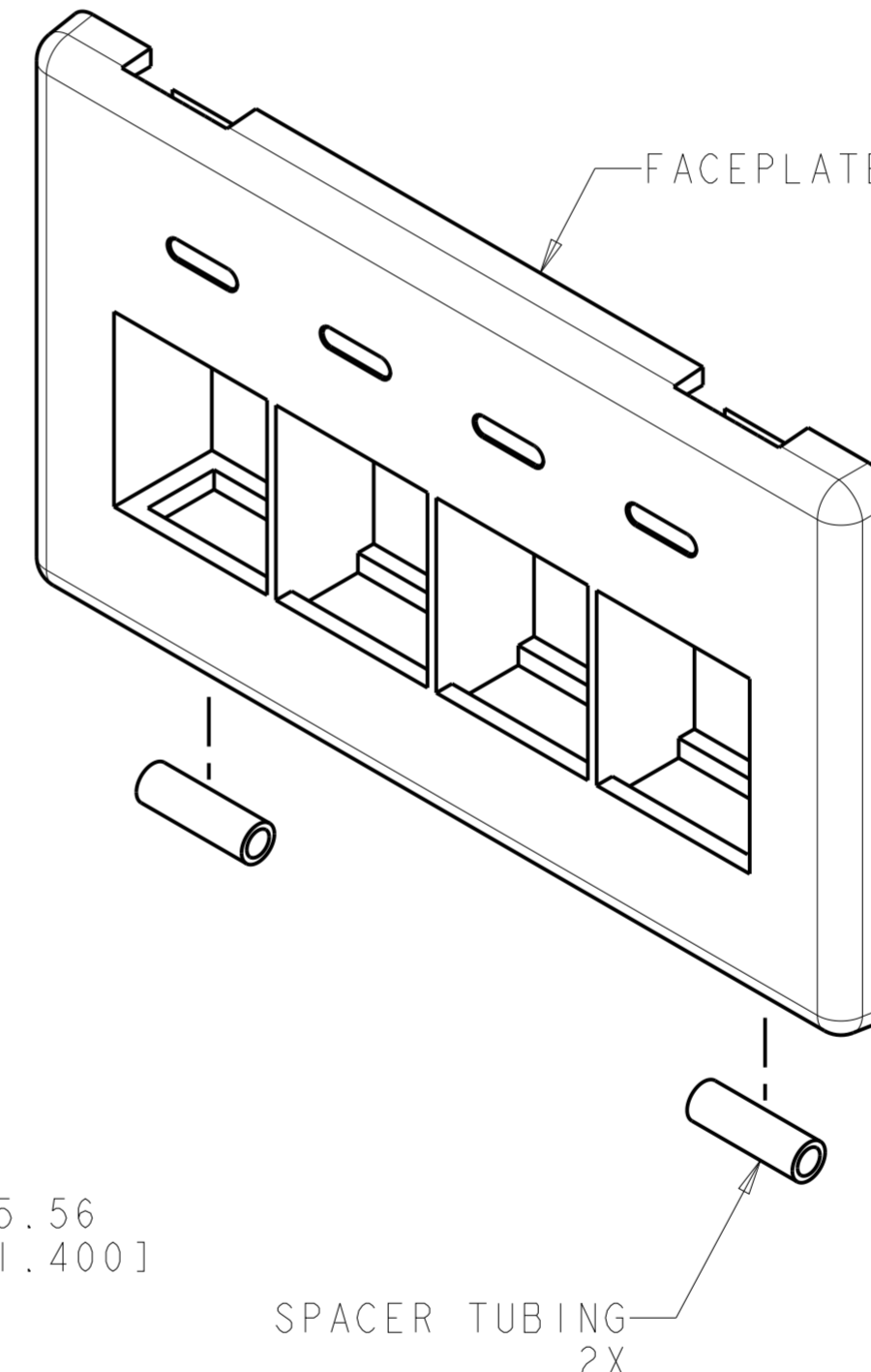


THIS DRAWING IS UNPUBLISHED. RELEASED FOR PUBLICATION
 © 2016 COMMSCOPE, INC. CONFIDENTIAL NOTICE: THESE DRAWINGS AND SPECIFICATIONS ARE THE PROPRIETARY PROPERTY OF COMMSCOPE, INC. AND MAY BE USED ONLY FOR THE SPECIFIC PURPOSE AUTHORIZED IN WRITING BY COMMSCOPE, INC.

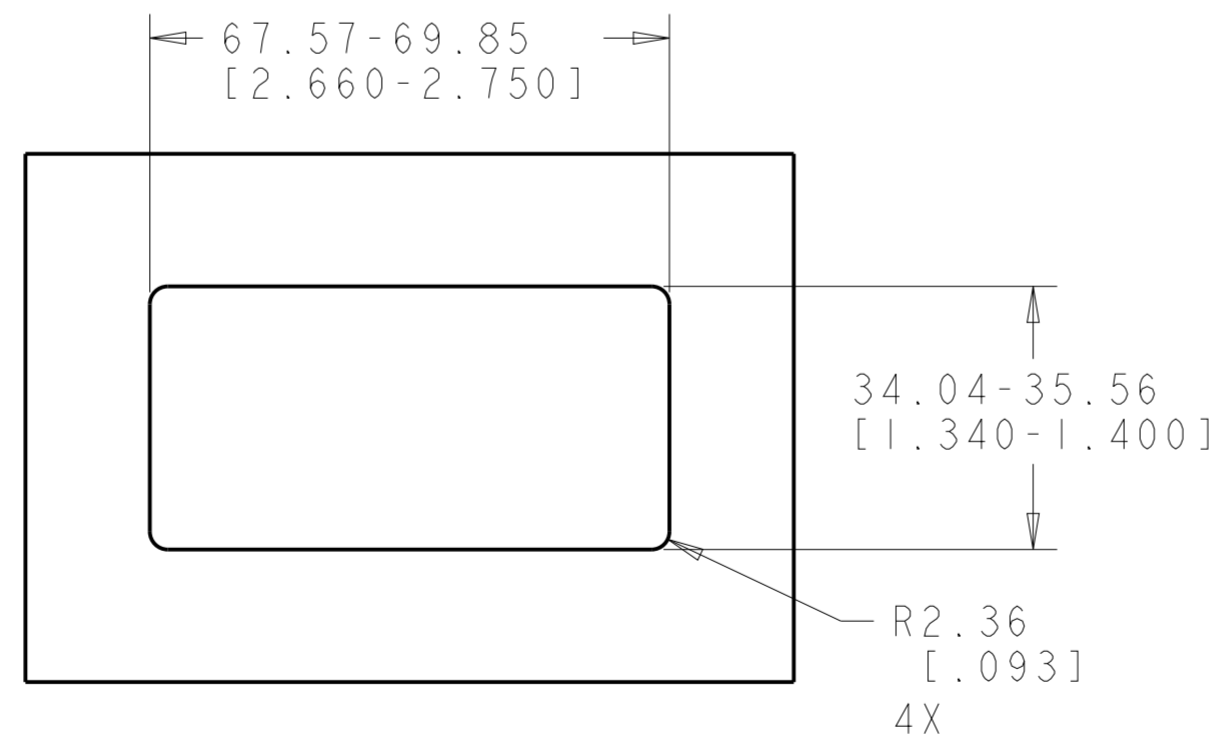
REVISIONS				
P	LTR	DESCRIPTION	DATE	APVD
B		ECO-14-010531	10JUL2014	JM SJ
C		REV; ECO-14-014877	02OCT2014	GG LS
D		REV PER BNS_CD_BRAND	07FEB2017	GG DC



- 1 MATERIAL: FACEPLATE- POLYCARBONATE MOLDING
SEE TABLE FOR COLORS.
SPACER TUBING- POLYOLEFIN, BLACK.
- 2 THIS FACEPLATE CAN BE INSTALLED INTO PANELS WHICH ARE 2.03 [.080] TO 1.14 [.045] THICK.
- 3 FACEPLATE WILL ACCEPT ANY COMBINATION OF FOUR SL SERIES JACKS OR INSERTS.
- 4 THIS KIT SHIPPED UNASSEMBLED.
- 5 DIMENSIONS ARE NOMINAL UNLESS OTHERWISE SPECIFIED.



SUGGESTED MOUNTING



RECOMMENDED PANEL CUTOUT

NEMA GRAY	1933134-4
LT ALMOND	1933134-2
BLACK	1933134-1
COLOR	PART NO

THIS DRAWING IS A CONTROLLED DOCUMENT.		DWN J MCNEAL 04SEP2007	COMMSCOPE, INC.	
DIMENSIONS: mm [INCHES]		CHK G BOWMAN 04SEP2007		
TOLERANCES UNLESS OTHERWISE SPECIFIED:		APVD G BOWMAN 04SEP2007	NAME FACEPLATE KIT, 4 PORT, SL SERIES, FLUSH MOUNT, FLEXMODE	
0 PLC ±	1 PLC ±	PRODUCT SPEC -	SIZE A2	CAGE CODE G-1933134
2 PLC ±	3 PLC ±	APPLICATION SPEC -	SCALE 2:1	SHEET OF 1
4 PLC ±	ANGLES ±	WEIGHT -	RESTRICTED TO -	REV D
MATERIAL	FINISH	Customer Drawing		

X-ON Electronics

Largest Supplier of Electrical and Electronic Components

Click to view similar products for [Modular Connectors / Ethernet Connectors](#) category:

Click to view products by [TE Connectivity](#) manufacturer:

Other Similar products are found below :

[8949-H88/06BLKA/SN](#) [74441-0010/BKN](#) [MP1010RX-1000](#) [MP44RX-1000](#) [PHJ-4P4C-1-V-4](#) [PHP-6P6C-5](#) [GAX-3-66](#) [GAX-8-62](#) [GDCX-PA-66-50](#) [GDCX-PN-64](#) [GDCX-PN-66](#) [GDCX-PN-66-50](#) [GDLX-A-66](#) [GDLX-N-66](#) [GDLX-S-66](#) [GDLX-S-88K](#) [GDTX-S-88-50](#) [GDX-PA-1010](#) [GLX-N-1010M-BLK](#) [GLX-S-88M-BLK](#) [GMX-N-1010](#) [GMX-S-1010](#) [GMX-S-66](#) [GMX-SMT4-N-88](#) [GPX-2-64](#) [GSGX-N-2-88](#) [GSGX-N-4-88](#) [GSX-NS2-88-3.05](#) [GSX-NS2-88-3.05-50](#) [GSX-NS-88-3.05-50](#) [PT-108A-8C-UL](#) [PT-J951-8C](#) [PTS-J531-8CS-50UL](#) [1-1775629-2](#) [A-2014-0-4](#) [GWLX-S-88-GR](#) [GWLX-S9-88-YG](#) [DC-1021-8-WH-6](#) [1300530003](#) [1324640-4](#) [RJ11FTVC2G](#) [RJ11FTVC2N](#) [RJFTVX2SA1G](#) [132764-001](#) [1413235](#) [MP88X-1000](#) [MPS88RX-5000](#) [E5288-S000K3-L](#) [E5908-15A242-L](#) [155302-001](#)